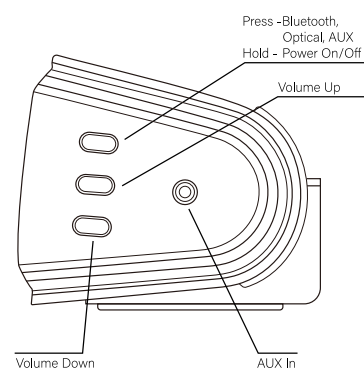
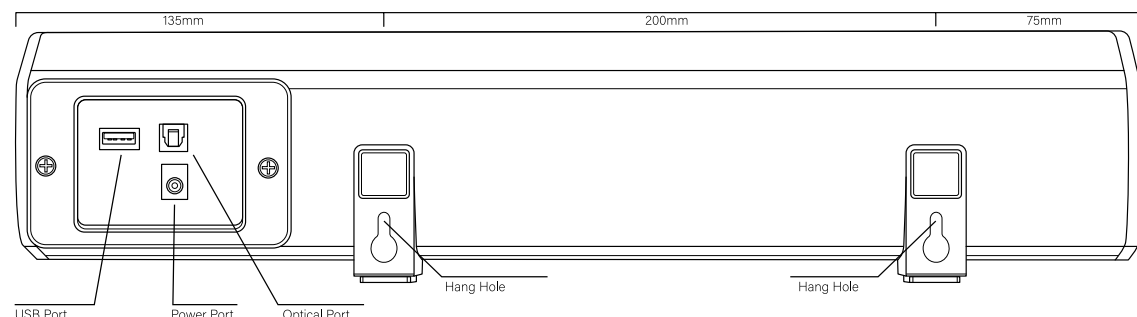
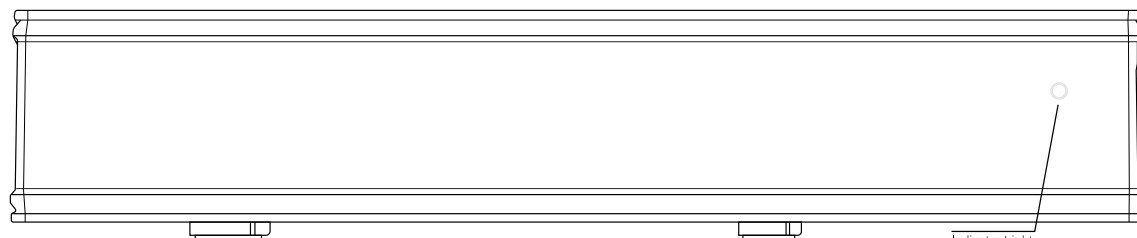


6.25 INCHES

ATRIX **DESKTOP GAMING SOUNDBAR USER GUIDE**



Need Help?

Have any questions or comments? Need help getting set up? Contact us at <https://care.gamestop.com>

What's Included

- Soundbar
- Remote Control
- 3.5mm to 3.5mm Aux Cable
- Digital Optical Cable
- Power Adapter

LED Indicators

- Solid Red - Power On/Off
- Flashing Blue - Pairing
- Solid Blue - Paired
- Solid Cyan - USB mode
- Solid Yellow - Optical mode
- Solid Green - AUX mode

Setup

- Place the soundbar on a sturdy flat surface.
- Plug the included power adapter into the power port and into a grounded wall outlet. The LED indicator will turn solid red when powered on.
- If you need to use a different power source make sure it is a power supply of DC 15V 1.5A minimum. Warning: please use UL compliant power supply.
- Hold power button for 2-4 seconds to turn on the soundbar.

Using Bluetooth

- Press the power button to switch to Bluetooth mode.
- When turning on the soundbar for the first time it will automatically enter pairing mode.
- The indicator light will flash blue when it is ready to pair.
- Use the Bluetooth settings on your device to pair with **ATRIX Soundbar**.
- When the soundbar has successfully connected, the indicator light will turn solid blue.
- The soundbar will automatically reconnect to the device it was most recently paired to the next time it is powered on and in Bluetooth mode.
- To re-enter pairing mode, use your device's Bluetooth settings to disconnect from the soundbar.
- Or re-enter pairing by holding the Bluetooth button until the indicator light is flashing blue; follow the above steps to connect your new device.

Hanging It on the Wall

- You can hang the soundbar on the wall according to the soundbar dimension, you'll need tools (electric masonry drill, screwdriver, pencil, ruler, spirit/bubble level).

Optical

- Insert one end of the optical cable into the optical port on the back of the soundbar, and the opposite end of the cable into the back of your device.
- Press the power button to switch to optical mode. The LED indicator will turn solid yellow.
- Note: If optical is selected on your device and no sound comes out you may need to activate PCM audio output on your device.
- If the soundbar is in optical mode when it is powered off, it will power back on in optical mode.

USB

- Insert your USB drive into the USB port on the soundbar.
- Press the power button to switch to USB mode. The LED indicator will turn solid cyan.
- Play music files from your USB device through to the soundbar.

AUX in

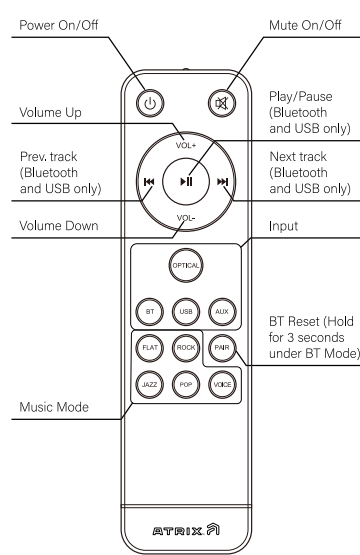
- Insert one end of the 3.5mm AUX cable into the soundbar AUX port and the opposite end of the AUX cable into Audio out (L/R) jack of your TV.
- Press the power button to switch to the AUX mode. The LED indicator will turn solid green. Switch your TV to AUX.

- If you want to connect BD/DVD/Set-top box/Game console.
- Insert one end of the 3.5mm AUX cable into the soundbar AUX port and the opposite end into your device.
 - Press the power button to switch to the AUX mode. The LED indicator will turn solid green. Switch your device to AUX.
 - Insert one end of the optical cable into the optical port on the back of the soundbar, and the opposite end of the cable into the back of your device.
 - Press the power button to switch to optical mode, the LED indicator will turn solid yellow.
 - Change the device audio output to PCM during optical setup. Note: Changing your TV to PCM will depend on the model of your television, steps may be different, please refer to TV's manual for details.

7.75 INCHES

FRONT

ATRIX **DESKTOP GAMING SOUNDBAR USER GUIDE**



Soundbar Remote

- To switch to a different device input, use the Bluetooth, Aux, USB, and Optical buttons.
- When the soundbar is being used in bluetooth mode and is idle or not in use, the soundbar will fully power down after not receiving a signal for a few hours to conserve battery; when it powers down fully the soundbar will no longer receive signal from the remote and will need to be powered back on using the power button on the soundbar.
- Use the music modes to switch to specific sound profiles built into the soundbar that will best optimize the sound of the type of media you're planning to enjoy.

Battery installation

- Remove the battery compartment cover from the back of the remote control.
- Insert two AAA batteries (not included) into the battery compartment, making sure that the polarity on the batteries matches the + and - symbols inside the battery compartment.
- Replace the battery compartment cover.
- To make sure they connect, the distance of remote control must be within approximately 26 ft. (8 m) of the soundbar.

Battery Warning

- Insert the battery in the proper direction as indicated by positive (+) and negative (-) markings in the battery holder.
- Remove a depleted battery promptly and recycle or dispose of it in accordance with Local and National Disposal Regulations.
- If a battery leaks, remove it and recycle or dispose of it in accordance with battery manufacturer's instructions and Local and National Disposal Regulations. If fluid from the battery comes into contact with skin or clothes, flush with water immediately.
- Remove the battery if your device is to be stored for an extended period of time without being used.
- Do not mix old and new batteries and do not mix alkaline, standard (carbon zinc) or rechargeable (ni-cad, ni-mh, etc.) batteries.

Troubleshooting

- If the sound bar is not working correctly, turn it on/off to restart
- If the sound bar makes no sound when using AUX or optical modes, make sure the sound bar is in the correct setting and the cables are properly connected
- If the sound bar still makes no sound make sure the device that you are plugged into is set to output AUX or optical in the settings
- If the sound bar won't work, make sure the power supply works, is 15V 1.5A, is not damaged and is properly plugged in
- If the sound bar makes no sound or does not show as an available device, make sure it is in the correct mode and not paired, if it is paired, unpair and re-pair it to the desired device
- If the sound bar still makes no sound when it is in optical mode, you may need to activate PCM audio output on your device
- This sound bar does not have a pairing code. If you are prompted for one make sure you are connecting to the correct device. If you are, "forget" the device and re-pair. If you are still prompted enter 0000
- If you hear any break-up while streaming music from your device move closer to your sound bar
- BT signal has a range of up to 30ft if there are no solid obstructions between the sound bar and source device
- Other wireless devices may interfere with BT range, including wireless video monitors, cordless phones, wireless cameras, etc., moving or turning off these devices may improve BT range

Safety

- Do not use near any water source
- Do not modify or repair this device
- Do not use in high temperatures or extreme weather
- Do not use chemical detergents to clean your device, use a soft dry cloth
- Do not drop the product and do not expose it to any major shocks
- Do not operate the product outside the power limits given in the specifications
- Protect the product from dirt, moisture and overheating and use it in dry rooms only
- As with all electrical devices, this device should be kept out of reach of children

FCC ID: 2AC03-GSPE01 Model: GSPE01 Input: 16V/1000mA Max. Made in China
Power Adapter Input: 100V-240V-50/60Hz 2.5A Output: 15V/1000mA

Important Safety Instructions
WARNING: When using this product, basic precautions should always be followed, including the following:

- Read these instructions carefully.
- All cautions and warnings should be followed.
- Protect equipment from humidity.
- Do not use chemical detergents to clean your device, use a soft dry cloth.
- To avoid damage from electrical peaks unplug the device when it is not in use.
- If one of the following situations arise, equipment has to be checked by qualified service personnel:
 - Liquid has penetrated into the equipment.
 - Equipment has been exposed to humidity.
 - Equipment has been dropped and/or damaged.
 - Equipment has obvious sign of breakage.
 - Equipment does not work well or you cannot get it working according to user's manual.

SAVE THESE INSTRUCTIONS
This device complies with Part 15 of the FCC rules. Operation is subject to the following two conditions: 1) this device may not cause harmful interference, and 2) this device must accept any interference received, including interference that may cause undesired operation.

Warning: Changes or modifications to this unit not expressly approved by the party responsible for compliance could void the user's authority to operate the equipment.

NOTE: This equipment has been tested and found to comply with the limits for a Class B digital device, pursuant to Part 15 of the FCC Rules. These limits are designed to provide reasonable protection against harmful interference in a residential installation. This equipment generates, uses and can radiate radio frequency energy and, if not installed and used in accordance with the instructions, may cause harmful interference to radio communications. However, there is no guarantee that interference will not occur in a particular installation. If this equipment does cause harmful interference to radio or television reception, which can be determined by turning the equipment off and on, the user is encouraged to try to correct the interference by one or more of the following measures:

- Reorient or relocate the receiving antenna.
- Increase the separation between the equipment and receiver.
- Connect the equipment into an outlet on a circuit different from that to which the receiver is connected.
- Consult the dealer or an experienced radio/TV technician for help.

To maintain compliance with FCC's RF Exposure guidelines, This equipment should be installed and operated with minimum 20cm distance between the radiator and your body.

BACK