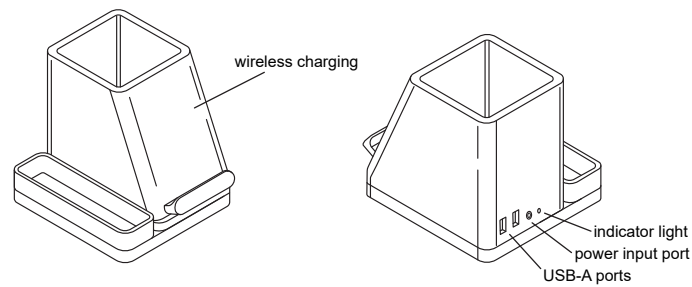


4.65 inches

Charging Desk Organizer

front

back



6.5 inches

Before you get started:

- Make sure that the phone is centered on the charging surface for the most efficient charge.
- Thicker phone cases as well as some materials may interfere with the ability to wirelessly charge.
- Not all phones can wirelessly charge. If you are unsure if your phone has this capability refer to the manufactures user manual.
- If you are using a case that doubles as a wallet be sure to remove credit cards, ids, and anything with a magnetic strip before charging as they may become damaged.

Whats included:

- Charging Desk Organizer.
- Power Supply. Input: 100-240v~ 50/60Hz 1.5A Output: DC 12V 4A.

Indicator:

- No Light - Charger is in stand-by mode.
- Solid Blue - Charging your phone.
- Solid Green - Phone is fully charged (Samsung phones only).
- Flashing Blue - Foreign object detection. Pieces of metal or other materials may cause overheating and damage your charger or phone. Remove object immediately.
- Flashing Blue - Over Temperature Protection. The charger has become too warm and is no longer receiving power to ensure charger does not become damaged.

FRONT

How to charge:

- Place the organizer on a sturdy flat surface.
- Connect the power supply to the organizer and plug it into a grounded wall outlet.
- If you are using a wallet case or wallet pocket remove credit cards or any card with a magnetic strip before charging to prevent damage.
- Place your Qi-enabled device onto the wireless charger and align the device with the center of the charging surface or the device may not charge.
- Charge time will vary by device.

Troubleshooting:

If the charger is not working double check that the power supply is plugged into the organizer and a grounded wall outlet.

Certain phone cases may interfere with wireless charging. Remove phone case for best results. Double check the placement of the device on the wireless charger. For best results, the center of the device should be on the center of the charger.

Wireless charging is compatible with iPhone® 8 and newer phones as well as other Qi-enabled devices. Please consult your devices user manual if you are unsure if your device is compatible.

Safety:

- Remove the credit cards and other cards with magnetic strips to prevent damage to them.
- Keep the charger away from extreme heat and direct sunlight.
- Do not modify or repair this device.
- Do not use in high temperatures or extreme weather.
- Do not use chemical detergents to clean your device, use a soft dry cloth.
- Immediately unplug it from its power source if it gets wet.



FCC ID: 2A023-DO4T Model: DO3C Input: DC12V/4A Output: Wireless Charger: 10W Max USB 1: DC 5V/2.4A USB 2: DC 5V/2.4A Made in Vietnam
This device complies with Part 15 of the FCC rules. Operation is subject to the following two conditions: 1) this device may not cause harmful interference, and 2) this device must accept interference received, including interference that may cause undesired operation. Warning: Changes or modifications to this unit not expressly approved by the party responsible for compliance could void the user's authority to operate the equipment.

NOTE: This equipment has been tested and found to comply with the limits for a Class B digital device, pursuant to Part 15 of the FCC Rules. These limits are designed to provide reasonable protection against harmful interference in a residential installation. This equipment generates, uses and can radiate radio frequency energy and, if not installed and used in accordance with the instructions, may cause harmful interference to radio communications.

However, there is no guarantee that interference will not occur in a particular installation. If this equipment does cause harmful interference to radio or television reception, which can be determined by turning the equipment off and on, the user is encouraged to try to correct the interference by one or more of the following measures:

- Reorient or relocate the receiving antenna.
- Increase the separation between the equipment and receiver.
- Connect the equipment into an outlet on a circuit different from that to which the receiver is connected.
- Consult the dealer or an experienced radio/TV technician for help.

This equipment complies with FCC radiation exposure limits set forth for an uncontrolled environment. This equipment should be installed and operated with minimum distance 20cm between the radiator and your body. This transmitter must not be co-located or operating in conjunction with any other antenna or transmitter.

Target Corp. Mpls. MN, 55403 Phone: 612-304-6073

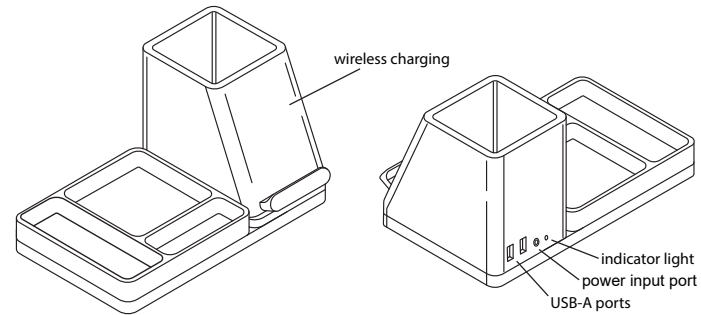
BACK

4.65 inches

Charging Desk Organizer

front

back



6.5 inches

Before you get started:

- Make sure that the phone is centered on the charging surface for the most efficient charge.
- Thicker phone cases as well as some materials may interfere with the ability to wirelessly charge.
- Not all phones can wirelessly charge. If you are unsure if your phone has this capability refer to the manufactures user manual.
- If you are using a case that doubles as a wallet be sure to remove credit cards, ids, and anything with a magnetic strip before charging as they may become damaged.

Whats included:

- Charging Desk Organizer.
- Power Supply. Input: 100-240v~ 50/60Hz 1.5A Output: DC 12V 4A.

Indicator:

- No Light - Charger is in stand-by mode.
- Solid Blue - Charging your phone.
- Solid Green - Phone is fully charged (Samsung phones only).
- Flashing Blue - Foreign object detection. Pieces of metal or other materials may cause overheating and damage your charger or phone. Remove object immediately.
- Flashing Blue - Over Temperature Protection. The charger has become too warm and is no longer receiving power to ensure charger does not become damaged.

FRONT

How to charge:

- Place the organizer on a sturdy flat surface.
- Connect the power supply to the organizer and plug it into a grounded wall outlet.
- If you are using a wallet case or wallet pocket remove credit cards or any card with a magnetic strip before charging to prevent damage.
- Place your Qi-enabled device onto the wireless charger and align the device with the center of the charging surface or the device may not charge.
- Charge time will vary by device.

Troubleshooting:

If the charger is not working double check that the power supply is plugged into the organizer and a grounded wall outlet.
 Certain phone cases may interfere with wireless charging. Remove phone case for best results. Double check the placement of the device on the wireless charger. For best results, the center of the device should be on the center of the charger.
 Wireless charging is compatible with iPhone® 8 and newer phones as well as other Qi-enabled devices. Please consult your devices user manual if you are unsure if your device is compatible.

Safety:

- Remove the credit cards and other cards with magnetic strips to prevent damage to them.
- Keep the charger away from extreme heat and direct sunlight.
- Do not modify or repair this device.
- Do not use in high temperatures or extreme weather.
- Do not use chemical detergents to clean your device, use a soft dry cloth.
- Immediately unplug it from its power source if it gets wet.



FCC ID: 2A023-DO4T Model: DO1T Input: DC12V/4A Output: Wireless Charger: 10W Max USB 1: DC 5V/2.4A USB 2: DC 5V/2.4A Made in Vietnam
 This device complies with Part 15 of the FCC rules. Operation is subject to the following two conditions: 1) this device may not cause harmful interference, and 2) this device must accept interference received, including interference that may cause undesired operation. Warning: Changes or modifications to this unit not expressly approved by the party responsible for compliance could void the user's authority to operate the equipment.

NOTE: This equipment has been tested and found to comply with the limits for a Class B digital device, pursuant to Part 15 of the FCC Rules. These limits are designed to provide reasonable protection against harmful interference in a residential installation. This equipment generates, uses and can radiate radio frequency energy and, if not installed and used in accordance with the instructions, may cause harmful interference to radio communications.

However, there is no guarantee that interference will not occur in a particular installation. If this equipment does cause harmful interference to radio or television reception, which can be determined by turning the equipment off and on, the user is encouraged to try to correct the interference by one or more of the following measures:

- Reorient or relocate the receiving antenna.
- Increase the separation between the equipment and receiver.
- Connect the equipment into an outlet on a circuit different from that to which the receiver is connected.
- Consult the dealer or an experienced radio/TV technician for help.

This equipment complies with FCC radiation exposure limits set forth for an uncontrolled environment. This equipment should be installed and operated with minimum distance 20cm between the radiator and your body. This transmitter must not be co-located or operating in conjunction with any other antenna or transmitter.

Target Corp. Mpls. MN, 55403 Phone: 612-304-6073

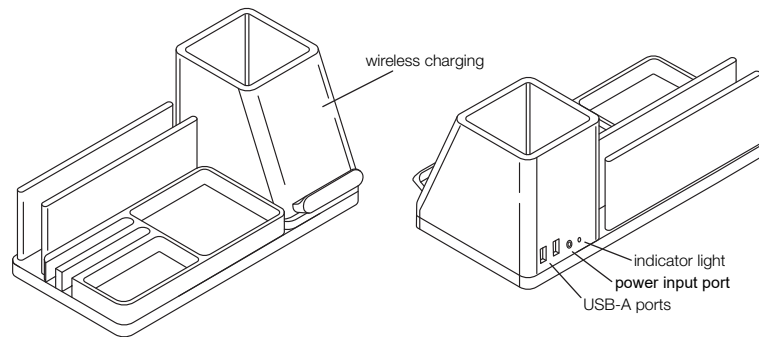
BACK

4.65 inches

Charging Desk Organizer

front

back



6.5 inches

Before you get started:

- Make sure that the phone is centered on the charging surface for the most efficient charge.
- Thicker phone cases as well as some materials may interfere with the ability to wirelessly charge.
- Not all phones can wirelessly charge. If you are unsure if your phone has this capability refer to the manufactures user manual.
- If you are using a case that doubles as a wallet be sure to remove credit cards, ids, and anything with a magnetic strip before charging as they may become damaged.

Whats included:

- Charging Desk Organizer.
- Power Supply. Input: 100-240v~ 50/60Hz 1.5A Output: DC 12V 4A.

Indicator:

- No Light - Charger is in stand-by mode.
- Solid Blue - Charging your phone.
- Solid Green - Phone is fully charged (Samsung phones only).
- Flashing Blue - Foreign object detection. Pieces of metal or other materials may cause overheating and damage your charger or phone. Remove object immediately.
- Flashing Blue - Over Temperature Protection. The charger has become too warm and is no longer receiving power to ensure charger does not become damaged.

FRONT

How to charge:

- Place the organizer on a sturdy flat surface.
- Connect the power supply to the organizer and plug it into a grounded wall outlet.
- If you are using a wallet case or wallet pocket remove credit cards or any card with a magnetic strip before charging to prevent damage.
- Place your Qi-enabled device onto the wireless charger and align the device with the center of the charging surface or the device may not charge.
- Charge time will vary by device.

Troubleshooting:

If the charger is not working double check that the power supply is plugged into the organizer and a grounded wall outlet.
 Certain phone cases may interfere with wireless charging. Remove phone case for best results. Double check the placement of the device on the wireless charger. For best results, the center of the device should be on the center of the charger.
 Wireless charging is compatible with iPhone® 8 and newer phones as well as other Qi-enabled devices. Please consult your devices user manual if you are unsure if your device is compatible.

Safety:

- Remove the credit cards and other cards with magnetic strips to prevent damage to them.
- Keep the charger away from extreme heat and direct sunlight.
- Do not modify or repair this device.
- Do not use in high temperatures or extreme weather.
- Do not use chemical detergents to clean your device, use a soft dry cloth.
- Immediately unplug it from its power source if it gets wet.



FCC ID: 2A023-DO4T Model: DO4T Input: DC12V/4A Output: Wireless Charger: 10W Max USB 1: DC 5V/2.4A USB 2: DC 5V/2.4A Made in Vietnam
 This device complies with Part 15 of the FCC rules. Operation is subject to the following two conditions: 1) this device may not cause harmful interference, and 2) this device must accept interference received, including interference that may cause undesired operation. Warning: Changes or modifications to this unit not expressly approved by the party responsible for compliance could void the user's authority to operate the equipment.

NOTE: This equipment has been tested and found to comply with the limits for a Class B digital device, pursuant to Part 15 of the FCC Rules. These limits are designed to provide reasonable protection against harmful interference in a residential installation. This equipment generates, uses and can radiate radio frequency energy and, if not installed and used in accordance with the instructions, may cause harmful interference to radio communications.

However, there is no guarantee that interference will not occur in a particular installation. If this equipment does cause harmful interference to radio or television reception, which can be determined by turning the equipment off and on, the user is encouraged to try to correct the interference by one or more of the following measures:

- Reorient or relocate the receiving antenna.
- Increase the separation between the equipment and receiver.
- Connect the equipment into an outlet on a circuit different from that to which the receiver is connected.
- Consult the dealer or an experienced radio/TV technician for help.

This equipment complies with FCC radiation exposure limits set forth for an uncontrolled environment. This equipment should be installed and operated with minimum distance 20cm between the radiator and your body. This transmitter must not be co-located or operating in conjunction with any other antenna or transmitter.

Target Corp. Mpls. MN, 55403 Phone: 612-304-6073

BACK