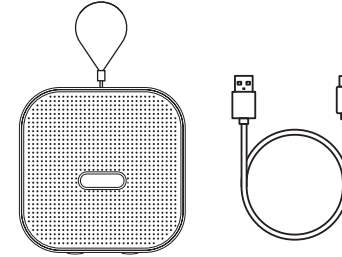




Wireless Speaker



Included:

1. Bluetooth Speaker
2. USB-A to Micro-USB Charging Cable

Pairing:

1. Power ON the speaker.
2. The indicator light will rapid flash white when it is ready to pair.
3. Use the Bluetooth settings on your device to pair with **Cat Speaker - The Cuddle Collab**
4. When pairing is successful the white light will turn solid and there will be a chime.
5. The speaker will automatically reconnect to the device it was most recently paired to when you turn the speaker on and it is in Bluetooth mode.

Audio Indicators:

- Ascending Tones - Power on
- Descending Tones - Power off
- Three Rapid Tones - Ready to pair
- Single Chime - Paired
- Two Rapid Dings - Low battery
- Quick Ascending Tone - Max volume
- Quick Descending Tone - Min volume

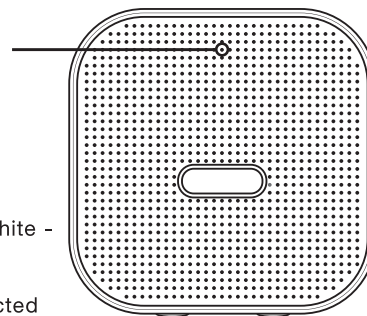
Charging:

1. A full charge requires approximately 2.5-3.5 hours.
 2. Plug the Micro-USB end of the charging cable into the charge port on the backside of the speaker.
 3. Plug the opposite end of the charging cable into a power supply of at least DC 5V 1A.
 4. Charging is complete when the red light turns off.
- Warning: Please use UL compliant power supply.

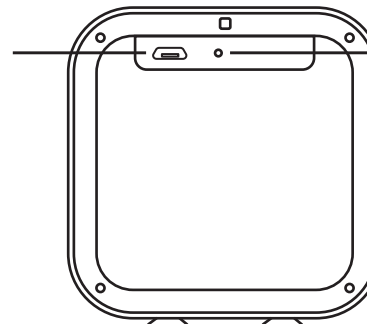
Indicator light:

- Flashing Red - Low Battery
- Solid Red - Charging
- No Red Light - Fully Charged
- Rapid Flashing White - Pairing Mode
- Solid White - Bluetooth Connected

Front



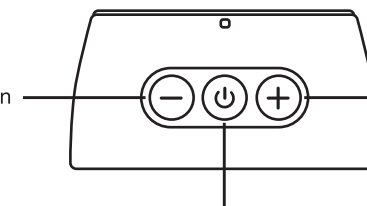
Back



Charge Input/
Micro-USB port

Reset

Top



Press: Volume down
Hold: Prev. track

Press: Volume up
Hold: Next track

Press: Pause/Play
Hold: On/Off

TWS (True Wireless Stereo) pairing

1. You can pair two of this model of speaker together.
2. Turn Bluetooth off on your device, place two matching speakers together, power them on.
3. Press “+” at the same time on one speaker and they will pair automatically.
4. On your device turn Bluetooth on, and pair to one of the speakers.
5. When the music is paused, the indicator will flash white on the speaker that is the left channel and will be solid white on the speaker that is the right channel.
6. To maintain TWS pairing turn Bluetooth off on your device before powering the speakers back on, the speakers will pair automatically, then re-pair with your device.

Troubleshooting:

1. If the speaker is not working correctly, turn it on/off to restart.
2. If the speaker won't turn on, recharge the battery and try again.
3. If the speaker won't charge, make sure the supply works, is 5V>1A, and not damaged.
4. If the speaker makes no sound or does not show as an available device, make sure it is not paired, if so unpair the device and re-pair the desired device.
5. If the speaker cannot be operated despite being turned on, push the RESET button on the back with a pin or other pointed object while the speaker is on.

Safety:

1. Do not expose the product to fire, high temperature, direct sunlight, etc.
2. Do not modify or repair this device.
3. Do not allow small particles to get into the product.
4. Do not use chemical detergents to clean, use a soft dry cloth.

WARNING:
CHOKING HAZARD—Small parts.
Not for children under 3 years.

FCC ID: 2A0234ETSPP2, Model: BTSP2, Input: 5V @ 1A Max, Made in China.
This device complies with Part 15 of the FCC rules. Operation is subject to the following two conditions: 1) this device may not cause harmful interference, and 2) this device must accept any interference received, including interference that may cause undesired operation. Warning: Changes or modifications to this unit not expressly approved by the party responsible for compliance could void the user's authority to operate the equipment.
NOTE: This equipment has been tested and found to comply with the limits for a Class B digital device, pursuant to Part 15 of the FCC Rules. These limits are designed to provide reasonable protection against harmful interference in a residential installation. This equipment generates, uses and can radiate radio frequency energy and, if not installed and used in accordance with the instructions, may cause harmful interference to radio communications.
However, there is no guarantee that interference will not occur in a particular installation. If the equipment does cause harmful interference to radio or television reception, which can be determined by turning the equipment off and on, the user is encouraged to try to correct the interference by one or more of the following measures: • Reorient or relocate the receiving antenna. • Increase the separation between the equipment and receiver. • Connect the equipment into an outlet on a circuit different from that to which the receiver is connected. • Consult the dealer or an experienced radio/TV technician for help.
The device has been evaluated to meet general RF exposure requirement. The device can be used in portable exposure condition without restriction.
Target Corp. Mpls, MN, 55403 Phone: 1-612-904-6073
For qualified repair specialists requesting repair information and parts please contact the original manufacturer at customersupport@gemfindyours.com

only at

© 2024 Target. The Bullseye Design is a registered trademark of Target Brands, Inc. All rights reserved.

9.92in

11in