



# 深圳爱科思达科技有限公司

## SHENZHEN AQUILSTAR TECHNOLOGY CO.,LTD.

File No  
(文件编号)

Edition  
(版本)

Page  
(页码)

A/0

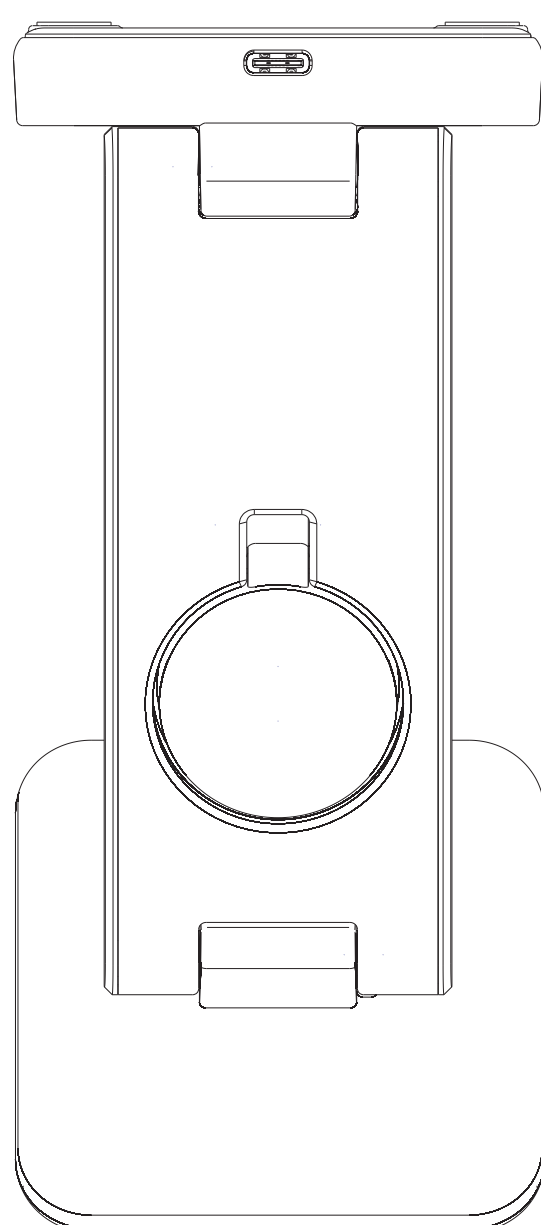
1/1

# 1:1

## 镭雕颜色参考色卡冷灰7C镭雕

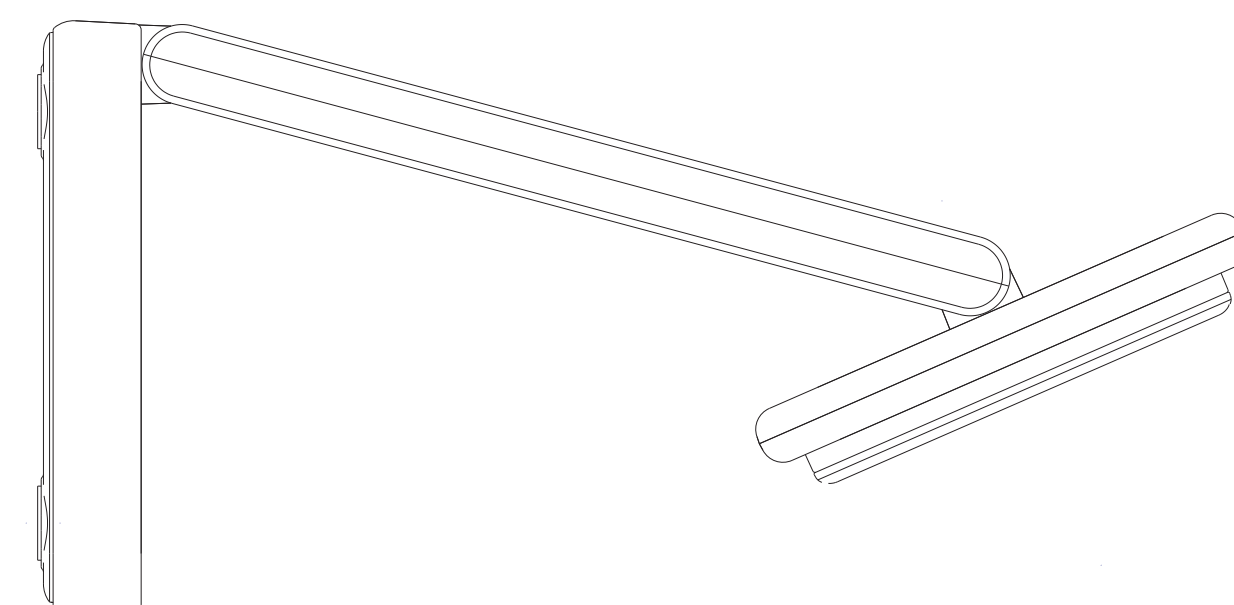
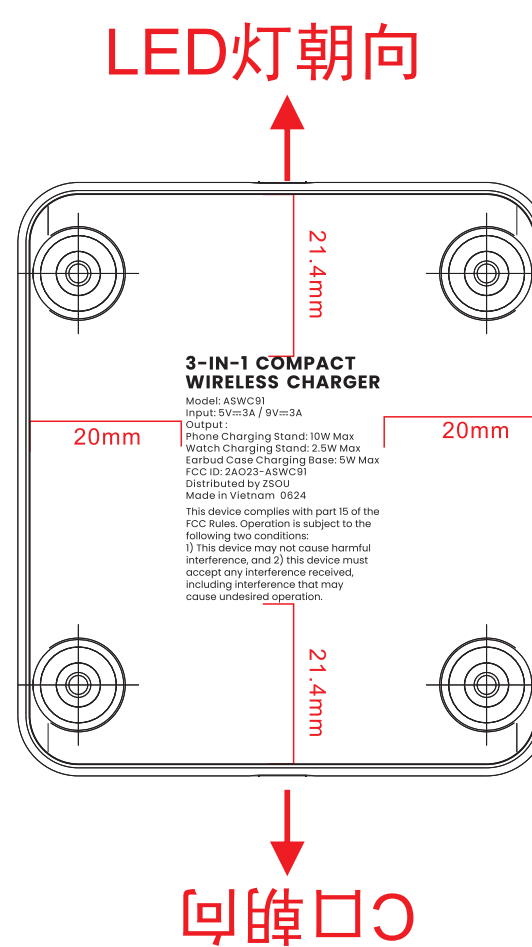
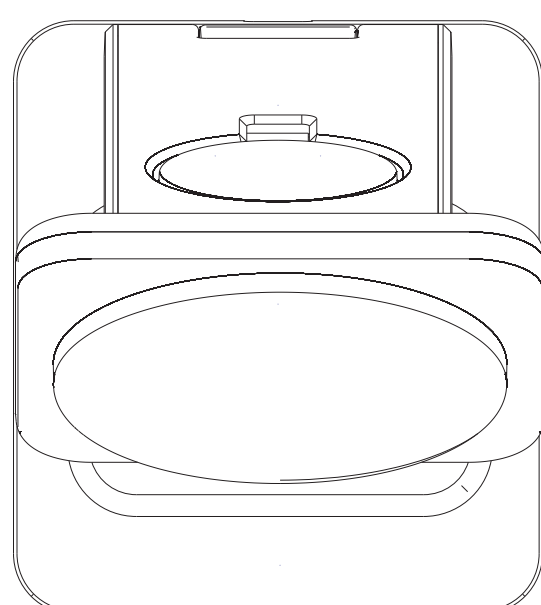
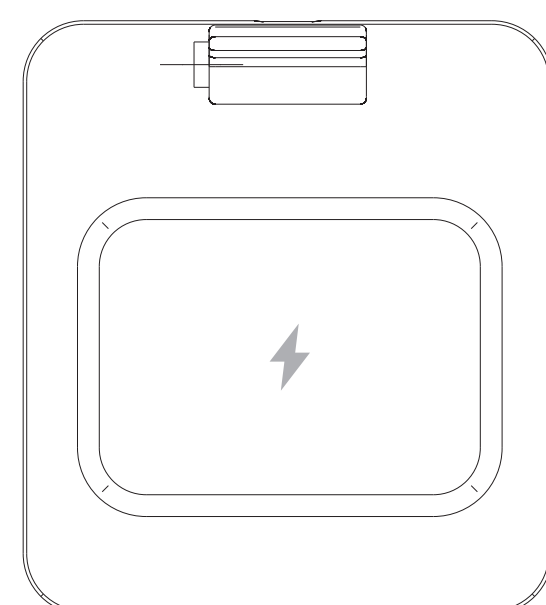
Edition (版本)	Changing Description (变更说明)	Design (设计)	Date (日期)

8.8mm  
5.34mm



**3-IN-1 COMPACT WIRELESS CHARGER**  
 Model: ASWC91  
 Input: 5V=3A / 9V=3A  
 Output:  
 Phone Charging Stand: 10W Max  
 Watch Charging Stand: 2.5W Max  
 Earbud Case Charging Base: 5W Max  
 FCC ID: 2A023-ASWC91  
 Distributed by ZSOU  
 Made in Vietnam 0624

32.64mm  
26.6mm



### 内容放大

## 3-IN-1 COMPACT WIRELESS CHARGER

Model: ASWC91

Input: 5V=3A / 9V=3A

Output:

Phone Charging Stand: 10W Max

Watch Charging Stand: 2.5W Max

Earbud Case Charging Base: 5W Max

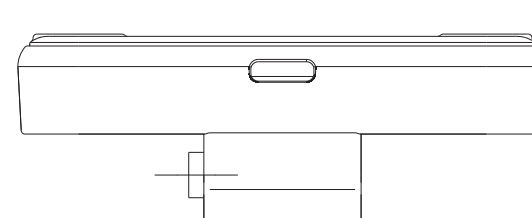
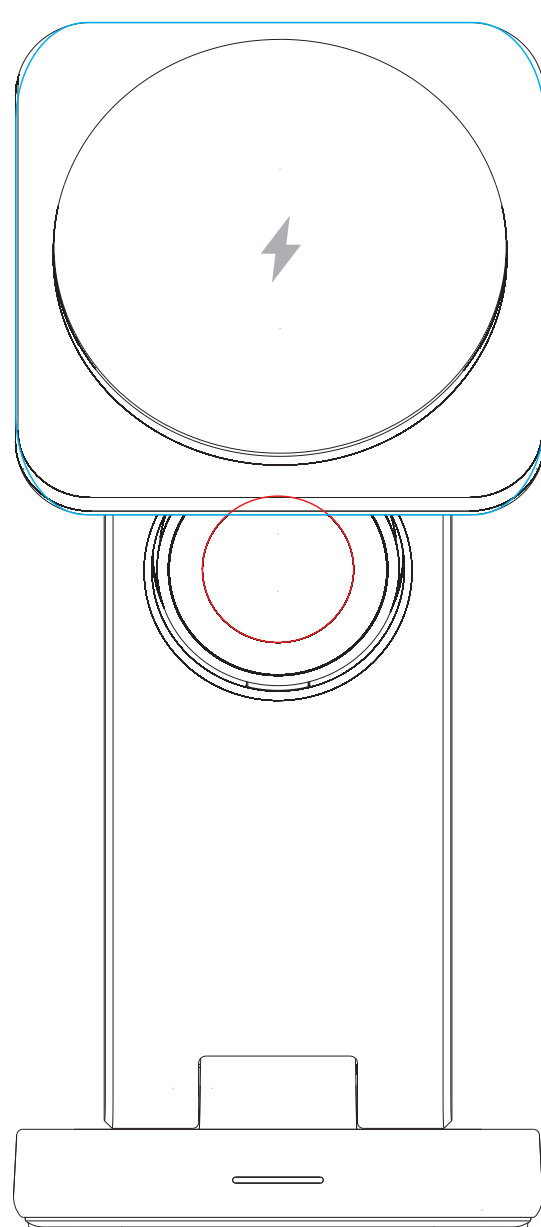
FCC ID: 2A023-ASWC91

Distributed by ZSOU

Made in Vietnam 0624

This device complies with part 15 of the FCC Rules. Operation is subject to the following two conditions:

- 1) This device may not cause harmful interference, and 2) this device must accept any interference received, including interference that may cause undesired operation.



05 24

月份 年份

注:生产月年随订单变化

例如生产时间是2024年5月份, 写0524, 具体月份年份生产前与生产主管确认



COSTOMER (客户)		TITLE (图纸名称)	镭雕
PROVIDER (制作商)		PART NO. (物料编号)	
UNIT (单位)	mm	M'ATL (材质)	
DESIGNER (制作)		DATE (日期)	
CHECKED (确认)		DATE (日期)	
CHECKED (审核)		DATE (日期)	
APPROVAL (批准)		DATE (日期)	