

SPECIFICATION FOR APPROVAL

CUSTOMER: AQUILSTAR

DESCRIPTION: TX5005(D20)-6.3uH

CUSTOMER NO: 3.2.1.1.064.0019

Kind plank NO:

DATE: 2023/11/4

PREPARED	CHECKED	APPROVED
YOUFU LI	WEN WANG	GENGSEN LAI

CUSTOMER APPROVED

PLEASE RETURN TO US ONE COPY OF“SPECIFCATION FOR APPROVAL”WITH YOUR APPROVED SIGNATURES



SHENZHEN JINHAODE TECHNOLOGY CO.,LTD

Address: 305, Building 2, Zone A, Baoan Internet Industrial Base
Xixiang Street, Baoan District, Shenzhen

TEL: 0755-27912636 27916126 FAX: 0755-27945683



SHENZHEN JINHAODE TECHNOLOGY CO., LTD

TEL: 0755-27912636 27916126 FAX: 0755-27945683

CUSTOMER	AQUILSTAR	CUSTOMER NO	3.2.1.1.064.001 9
DESCRIPTION	TX5005(D20)-6.3uH	DATE	2023/11/4

Revision record

Date	Modify the content	Version	Checked	Approved
2023/11/4	Initial issue	V01	WEN WANG	GENGSEN LAI

Product Picture



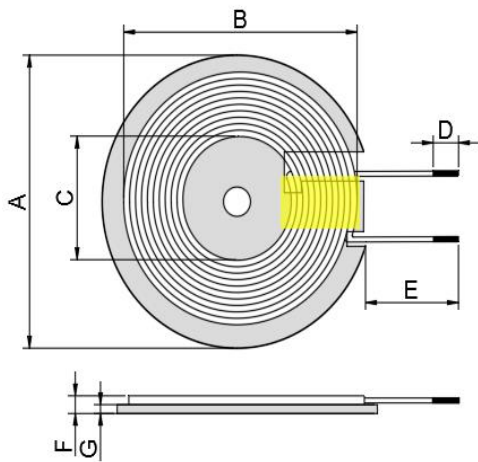
SHENZHEN JINHAODE TECHNOLOGY CO.,LTD

TEL: 0755-27912636 27916126 FAX: 0755-27945683

SPECIFICATION FOR APPROVAL

CUSTOMER	AQUILSTAR	CUST P/N.	3.2.1.1.064.0019
ITEM	TX5005(D20)	Description	TX5005(D20)-6.3uH
PART NO.		DATE	2023/11/4

(1) DIMENSION(UNIT:mm)



A	50	±1	mm
B	44	±1	mm
C	20.5	±1	mm
D	3	±1	mm
E	15	±2	mm
F	2.8	Max	mm
G	1.0	±0.1	mm

NOTE:
 1.The magnetic separator is affixed with 3M backing glue without slot and hole.
 2.. Coil tundish high temperature adhesive paper width $5\text{mm} \pm 1\text{mm}$.

3.The diskette L is slotted and perforated $5.2\text{mm} \pm 0.5\text{mm}$, the thickness is $1.0\text{mm} \pm 0.1\text{mm}$.

(2)ELECTRONIC SPECIFICATION: (AT 25°C)

1.INDUCTANCE: (: VR1163 200KHz, :100KHz /1.0V) $L(1-2)=6.3\mu\text{H} \pm 10\%$

2.DCResistance:(25°C) $\text{DCR}(1-2)=70\text{m}\Omega$ Max

NO	NAME	MATERIAL	SUPPLER	UL NO	CLASS
1	WIRE	QARSN	SHENGZHEN JINMA NEW MATERIALS TECHNOLOGY CO., LTD (or equivalent)	E514717	130°C
2	Magnetic disk	CP500501	JINRUI CO., LTD (or equivalent)	N/A	
3					
4					
5					

NO	START	FINISH	WIRE	COLOR	TURNS	INDUCTANCE
N1	1	2	QARSN Φ 0.08 105P	N	10 REF	6.3 uH ±10%



SHENZHEN JINHAODE TECHNOLOGY CO.,LTD

TEL: 0755-27912636 27916126 FAX: 0755-27945683

TEST DATA FOR PREPRODUCTION SAMPLES

CUSTOMER	AQUILSTAR			CUST P/N.	3.2.1.1.064.0019		
Description	TX5005(D20)-6.3uH	Test Q'ty: 5PCS		Date	2023/11/4		
Test range	Electrical parameters			Appearance size			
MEASURE ITEM	L uH	DCR (mΩ)	clean	A (mm)	B (mm)	C (mm)	D (mm)
SPECIFIC	6.3	70.0		50.0	44.0	20.5	3.0
SUGGEST	±10%	Max		±1	±1	±1	±1
1	6.31	40.43	√	√	√	√	√
2	6.41	40.62	√	√	√	√	√
3	6.46	39.08	√	√	√	√	√
4	6.31	39.89	√	√	√	√	√
5	6.41	40.39	√	√	√	√	√
6							
7							
8							
9							
10							
X	6.38	40.082	√	√	√	√	√
R	0.15	1.54	√	√	√	√	√
TEST CONDITION	INSTRUMENTS				AT:	100KHz	1.0V
	ENVIORMENTS	TEMP:25 degree HUMDITY :65%					
	STORAGE TEMPERATURE RANGE	-40°C~+85°C					
	OPERATING TEMPERATURE RANGE	-40°C~+105°C					



SHENZHEN JINHAODE TECHNOLOGY CO.,LTD

TEL: 0755-27912636 27916126 FAX: 0755-27945683

SPECIFICATION FOR APPROVAL

Warranty

All standard parts guaranteed to be free defects in material and workmanship, and are warranted to meet the JINHAODE published. No other warranty expressed or implied is made by JINHAODE. All special parts manufactured to a customer's specification are guaranteed to the extent agreed upon in writing between JINHAODE and the users.

JINHAODE will repair/replace units the following conditions:

1. The buyer must notify JINHAODE in writing 60 days of receipt of material, that they request authorization to return the parts. A description of the complaint and samples must be included.
2. JINHAODE must determine to its satisfaction that the parts are defective, and the defect not due to misuse, accident, poor engineering practices or improper application.

JINHAODE liability shall in no event exceed the cost of repair or replacement of its parts. This warranty does not extend to any materials that has been altered or repaired by others without our written authorization.

Under no circumstance shall JINHAODE have any liability whatsoever for the loss of anticipated profits, interruption of operations, or for special, incidental or consequential damages.