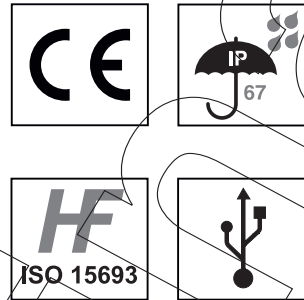
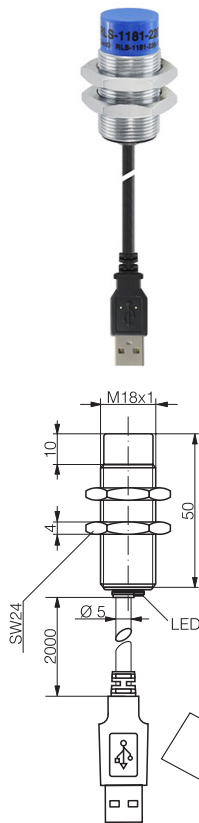


| HOUSING | READ/WRITE DISTANCE | <ul style="list-style-type: none"> <li>✓ M18 Metal threaded housing</li> <li>✓ Sensing face of PBTP</li> <li>✓ Insensitive to dirt</li> <li>✓ ISO15693 compatible</li> </ul> | <ul style="list-style-type: none"> <li>✓ USB RWM using ContriNET protocol</li> <li>✓ Cost optimized solution</li> </ul> |
|---------|---------------------|--|---|
| M18     | 38 mm*              |  |   |



\* Please refer to table page 4

| GENERAL DATA               |                         | INTERFACE                             |                      |
|----------------------------|-------------------------|---------------------------------------|----------------------|
| Carrier frequency          | 13.56 MHz               | <b>USB/VCP configuration</b>          |                      |
| Compatible standard        | ISO 15693               | Data transfer rate                    | 115 200 baud         |
| Maximum transmission speed | 26.5 kbit/s             | Number of bits 7 / stop bits / parity | 8 / 1 / None         |
| Read-write distance max.   | 38 mm with RTP-0502-022 | <b>RWM configuration</b>              |                      |
|                            |                         | LED yellow on                         | RWM live             |
|                            |                         | LED yellow blinking                   | Transponder detected |
|                            |                         | ContriNET protocol                    | ✓                    |

| ELECTRICAL DATA                        |                     | MECHANICAL DATA                 |                  |
|--|---------------------|---------------------------------|------------------|
| Supply voltage range (U <sub>b</sub> ) | 5 VDC (USB powered) | Protection degree               | IP67             |
| No-load supply current (field off)     | 100 mA              | Ambient temperature range TA**  | -25...+70 °C     |
| Max. current consumption (no load)     | 200 mA              | Storage temperature range TS*** | -25...+70 °C     |
| Polling current                        | 120 mA              | Sensing face material           | PBTP             |
| Short-circuit protection               | ✓                   | Housing material                | Stainless steel  |
| Voltage reversal protection            | ✓                   | Connector type / Cable length   | USB A male / 2 m |
| Max. output current                    |                     | Weight (incl. nuts)             | 107 g            |

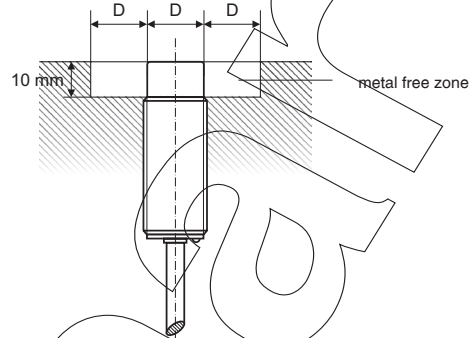
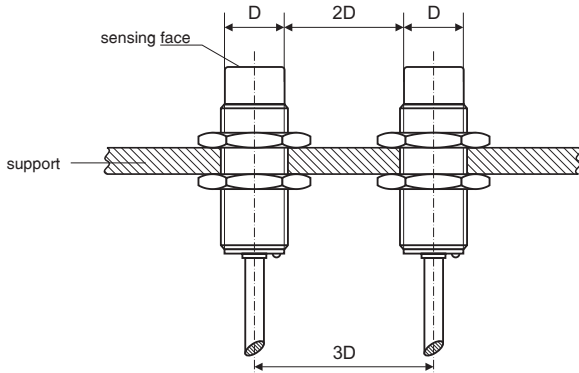
\*\* Read/write operations possible

\*\*\* Data retention and mechanical stability limit

## MOUNTING RECOMMENDATIONS

### CLEARANCE

Read/write modules must not mutually influence each other. For this reason, a minimum distance of  $2 \times D$  between the devices must be observed.



## COMMUNICATION SETTINGS

### USB/VCP characteristics

Value for RLS-1181-220

Data transfer rate (default in bold)

**115 200**

Number of bits

**8**

Number of stop bits

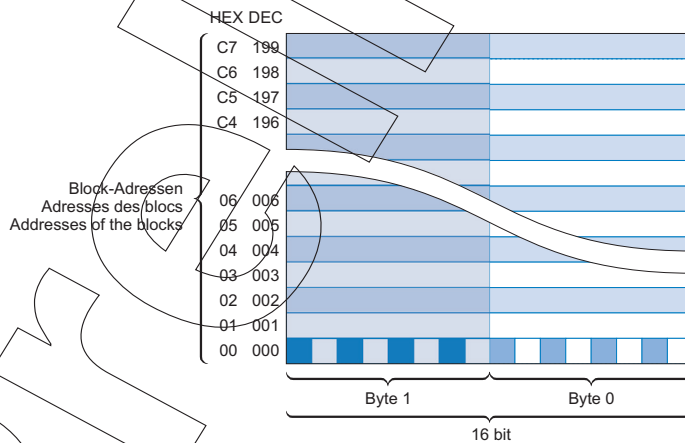
**1**

Parity

**No**

## MEMORY STRUCTURE OF THE READ/WRITE MODULE

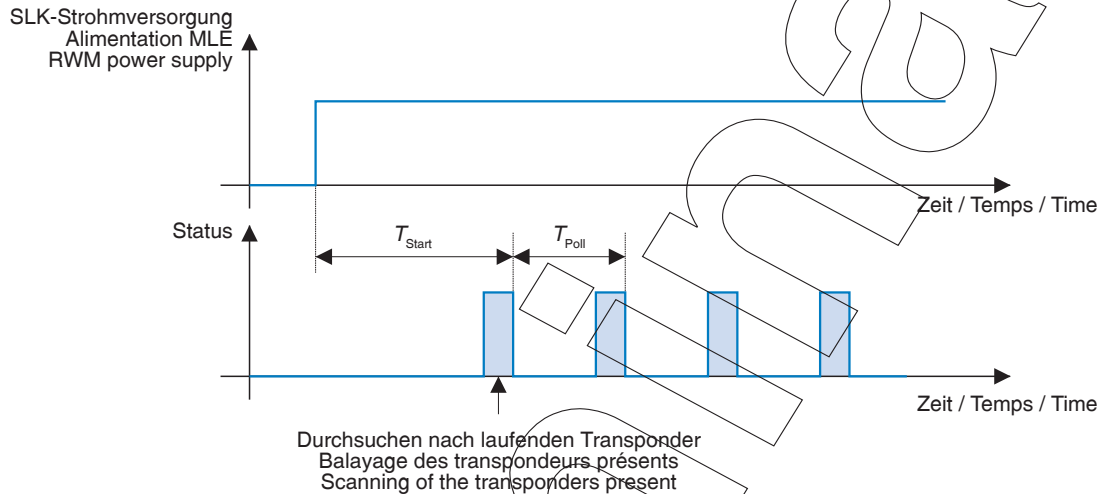
The Read/Write Module has a user memory of 3200 bits organized in 200 blocks of 16 bits. Each block is addressable separately by means of the commands Write RWM and Read RWM.



## TYPICAL TIMES

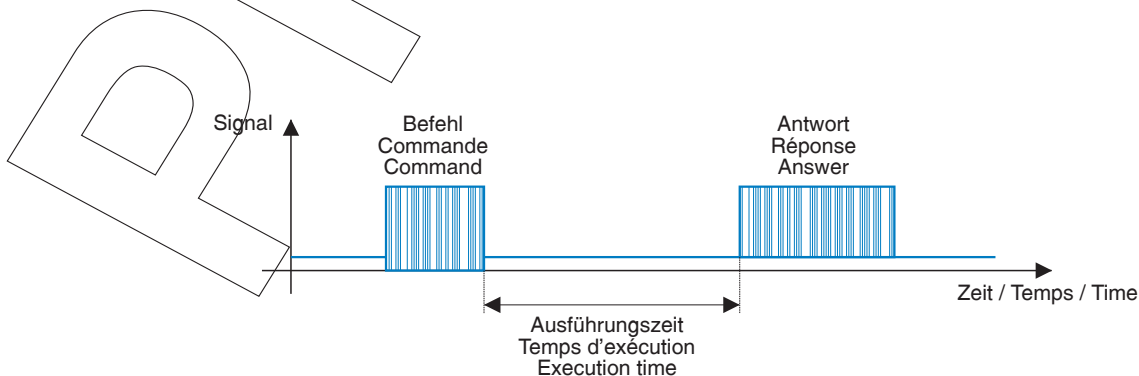
| Time name                      | Description   | Value             |
|--------------------------------|---|-------------------|
| Starting times                 | Time between the powering of the RWM and the end of the first scanning of the transponders present                      | 300 ms            |
| Polling time                   | Time for actualization of the list of the transponders present. This time depends on the number of collisions.          | 70* ms            |
| Execution time of the commands | The execution time is defined as the time between the end of the sending of the command and the beginning of the answer | Command dependent |

\*Polling time for 16 transponders without collision



## TYPICAL EXECUTION TIMES BY COMMAND TYPE

| Command type  | Description                                       | Value   |
|---|---|---------|
| Commands related to RWM   | Typical execution time                            | 1.5 ms  |
| Commands related to Transponder depending on number of blocks   | Duration for decoding the command - $T_0$         | 12.0 ms |
|   | Read duration for one block (32 bits) - $T_{R0}$  | 8.0 ms  |
|   | Write duration for one block (32 bits) - $T_{W0}$ | 12.0 ms |
|   | Number of blocks concerned - $N$                  |         |
| Commands related to Transponder not related to a number of blocks (e.g. Get System-Info, Write AFI, Lock AFI, Write DSFID, Lock DSFID, and so on) | Typical execution time                            | 30 ms   |



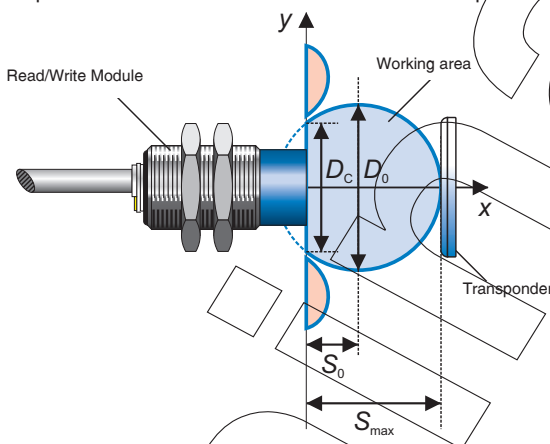
## POSSIBLE COMBINATION AND TYPICAL DISTANCE - RLS-1181-020

| Transponder type  | $S_{max}$ [mm] | $S_0$ [mm] | $D_0$ [mm] | $V_{Rmax}$ [cm/s]* | $V_{Wmax}$ [cm/s]* |
|-------------------|----------------|------------|------------|--------------------|--------------------|
| Ø 9 RTP-0090-020  | 14             | 5          | 18         | 90                 | 75                 |
| Ø 16 RTP-0160-020 | 17             |            |            |                    |                    |
| Ø 20 RTP-0201-020 | 14             | 4          | 20         | 100                | 83.3               |
| Ø 26 RTP-0263-020 | 21             | 8          | 25         | 125                | 104.2              |
| Ø 30 RTP-0301-020 | 26             | 10         | 32         | 160                | 133.3              |
| Ø 50 RTP-0501-020 | 31             | 8          | 46         | 230                | 191.7              |
| Ø 50 RTP-0502-022 | 38             | 14.5       | 47         | 235                | 195.8              |
| Ø 50 RTP-0502-062 | 21.5           | 0.5        | 42         | 210                | 175                |
| Ø 50 RTP-0502-082 | 33             | 11         | 44         | 220                | 183.3              |

\*speed values for a distance between RWM and transponder set to  $S_0$  and a 32 bits Read or Write operation

$$V_{Rmax} = \begin{cases} \frac{D_0}{T_R} = \frac{2 \cdot (S_{max} - S_0)}{T_0 + N \cdot T_{R0}} & \text{ob / si / if } S_0 > 0 \\ \frac{D_C}{T_R} = \frac{2 \cdot S_{max} \cdot \sqrt{1 - 2 \cdot S_0 / S_{max}}}{T_0 + N \cdot T_{R0}} & \text{ob / si / if } S_0 \leq 0 \end{cases}$$

$$V_{Wmax} = \begin{cases} \frac{D_0}{T_W} = \frac{2 \cdot (S_{max} - S_0)}{T_0 + N \cdot T_{W0}} & \text{ob / si / if } S_0 > 0 \\ \frac{D_C}{T_W} = \frac{2 \cdot S_{max} \cdot \sqrt{1 - 2 \cdot S_0 / S_{max}}}{T_0 + N \cdot T_{W0}} & \text{ob / si / if } S_0 \leq 0 \end{cases}$$



## AVAILABLE TYPES

| Part number | Part reference | Ø   | Mounting       | Connection / Cable length |
|-------------|----------------|-----|----------------|---------------------------|
| 720 100 108 | RLS-1181-220   | M18 | Non-embeddable | USB A male / 2 m          |

## DISCLAIMERS

### FCC information

This device complies with part 15 of the FCC rules. Operation is subject to the following two conditions:

- (1) This device may not cause harmful interference, and
- (2) this device must accept any interference received, including interference that may cause undesired operation.

Caution: Any changes or modifications not expressly approved by the party responsible for compliance could void the user's authority to operate the equipment.

Note: This equipment has been tested and found to comply with the limits for a Class A digital device, pursuant to part 15 of the FCC Rules. These limits are designed to provide reasonable protection against harmful interference when the equipment is operated in a commercial environment. This equipment generates, uses, and can radiate radio frequency energy and, if not installed and used in accordance with the instruction manual, may cause harmful interference to radio communications. Operation of this equipment in a residential area is likely to cause harmful interference in which case the user will be required to correct the interference at his own expense.

### IC information

This device complies with Industry Canada licence-exempt RSS standard(s). Operation is subject to the following two conditions:

- (1) This device may not cause interference, and
- (2) this device must accept any interference received, including interference that may cause undesired operation of the device.

Le présent appareil est conforme aux CNR d'Industrie Canada applicables aux appareils radio exempts de licence. L'exploitation est autorisée aux deux conditions suivantes :

- (1) L'appareil ne doit pas produire de brouillage, et
- (2) l'utilisateur de l'appareil doit accepter tout brouillage radioélectrique subi, même si le brouillage est susceptible d'en compromettre le fonctionnement.

### Contrinex information

Operators of the products we supply are responsible for compliance with measures for the protection of persons. The use of our equipment in applications where the safety of persons might be at risk is only authorized if the operator observes and implements separate, appropriate and necessary measures for the protection of persons and machines. Terms of delivery and rights to change design reserved.