

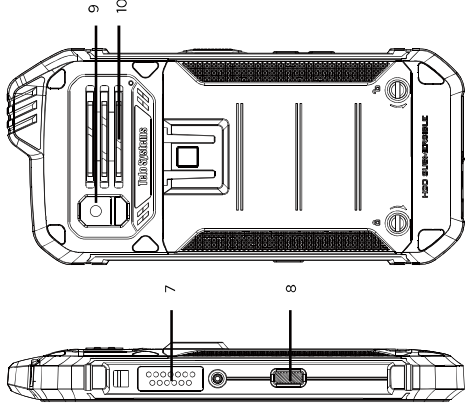
TE610 Quick Start Guide



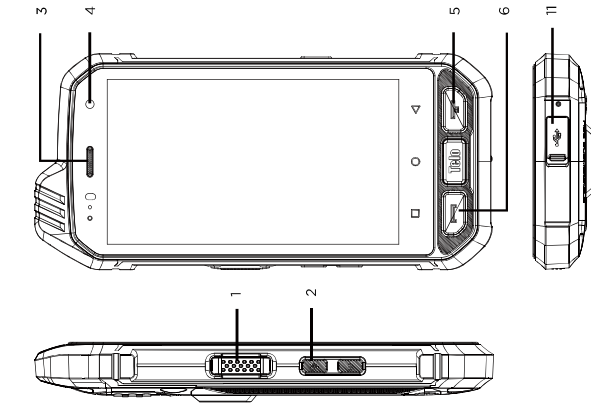
Thanks for choosing our product!
This Quick Start Guide Only applicable to: **TE610**
Before using the product, please read the Quick Start Guide to fully benefit from it.



TeloSystems
Beijing Communication Gap
Tel: +86 755 8960766
Email: support@telo.com
Addr: 4/F Chuangye Building, Seven-Star Park,
Yu'an 2nd Road, Bao'an District, Shenzhen, China.
www.telosystems.com



7. Radio Grade Interface
8. SOS Button
9. Rear Camera
10. Rear Speaker
11. Micro USB



1. PTT Button
2. Volume
3. Calling Speaker
4. Front Camera
5. Power Button
6. Dial Button

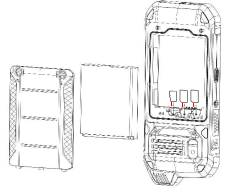
Check List

Please check the following accessories before you discard the packing material. Please contact your local dealer immediately if there is any missing or damage parts.

Accessories	Quantity
TE610	1
USB Data Cable	1
Battery	1
Charging Adapter	1
Quick Start Guide	1
Back Case Unlocker	1

Before Use

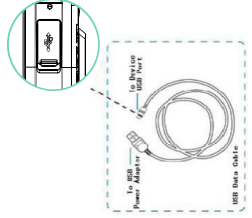
1. Release the battery cover lock, move the battery cover away.
2. According to the indication, insert the SIM or SD card inside the SIM or SD card slot.
3. Put the Battery into the slot.
4. Lock the battery cover.



Basic Operation

- **Power On**
Press the power on button for 3 seconds. Once the screen goes light up, you will see the screen on, it indicates successful turn on.
- **Power Off**
Press the power button for 3 seconds, then tap the "Power off" button on the pop up menu, the smart terminal will start shutting down.
- **Home**
Press home button to enter the home page
- **Menu**
Press menu button to enter the setting page
- **Back**
Press back button to return the last page
- **Unlock**
- Press Power button to activate the screen
- Slide up to unlock the screen

Charging



Connect the LTE handheld and power adapter using the USB Data Cable.

Red light on the LTE handheld indicates battery charging in progress.
Green lights on indicates fully charged.

Notes:
Always use Telo Original batteries and chargers. The warranty does not cover damage caused by non-telo batteries and/or chargers.

Caution

- Risk of explosion. Fire or chemical burn if battery is disassembled, crushed, squeezed, trampled short-circuited, incinerated or exposed to high temperature over 60°C.
- Don't use damaged or weeping battery.
- Keep the battery dry and out of Children's reach.
- Properly dispose of failure batteries in accordance with local regulations.
- Although your device is quite sturdy, it is a complex piece of equipment and can be broken. Avoid dropping, hitting or bending, or straining with it.
- Make sure the charger/USB port, microSD card/SIM card slot covers are properly seated, with no foreign objects obstructing the slots.
- Do not use the charger/USB port for charging, data transmission, etc. until the phone is completely dry.
- Do not store the device under any circumstance containing electronic erosive material.
- Avoid to pull the device up by holding the antenna or accessories.
- Please power off and unlock the battery before cleaning the device.
- Using dry and clean lint-free cloth or hairbrush to keep the device and charger docking port clean.

- Avoid to use any chemical agent including detergent, alcohol, aerosol spray or oil preparations as cleaning solution.
- Dry your device completely after cleaning and before using it again.

FCC Caution.

This device complies with part 15 of the FCC Rules. Operation is subject to the following two conditions:

- (1) This device may not cause harmful interference, and
- (2) this device must accept any interference received, including interference that may cause undesired operation.

Any Changes or modifications not expressly approved by the party responsible for compliance could void the user's authority to operate the equipment.

Note: This equipment has been tested and found to comply with the limits for a Class B digital device, pursuant to part 15 of the FCC Rules. These limits are designed to provide reasonable protection against harmful interference in a residential installation. This equipment generates uses and can radiate radio frequency energy and, if not installed and used in accordance with the instructions, may cause harmful interference to radio communications. However, there is no guarantee that interference will not occur in a particular installation. If this equipment does cause harmful interference to radio or television reception, which can be determined by turning the equipment off and on, the user is encouraged to try to correct the interference by one or more of the following measures:

- Reorient or relocate the receiving antenna.
- Increase the separation between the equipment and receiver.
- Connect the equipment into an outlet on a circuit different from that to which the receiver is connected.
- Consult the dealer or an experienced radio/TV technician for help.

This Smart Phone meets the government's requirements for exposure to radio waves. The guidelines are based on standards that were developed by independent scientific organizations through periodic and thorough evaluation of scientific studies. The standards include a substantial safety margin designed to assure the safety of all persons regardless of age or health.

The SAR limit of USA (FCC) is 1.6 W/kg averaged over one gram of tissue. Device types: TE610 (FCC ID: 2ANY6-TE610) has also been tested against this SAR limit. The highest SAR value reported under this standard during product certification for use at the ear is 0.499W/kg and when properly worn on the body is 0.785W/kg. This device was tested for typical body-worn operations with the back of the handset kept 10mm from the body. To maintain compliance with FCC RF exposure requirements, use accessories that maintain a 10mm separation distance between the user's body and the back of the handset. The use of belt clips, holsters and similar accessories should not contain metallic components in its assembly. The use of accessories that do not satisfy these requirements may not comply with FCC RF exposure requirements, and should be avoided.

Body-worn Operation

This device was tested for typical body-worn operations. To comply with RF exposure requirements, a minimum separation distance of 10mm must be maintained between the user's body and the handset, including the antenna. Third-party belt-clips, holsters, and similar accessories used by this device should not contain any metallic components.

Body-worn accessories that do not meet these requirements may not comply with RF exposure requirements and should be avoided. Use only the supplied or an approved antenna.