

TEST REPORT

Report No.: 17091044HKG-004

Matrix Industries, Inc.

Application For Certification
(Original Grant)

FCC ID: 2ANY2MPWBLK

All technical data refers to report 17091044HKG-001

Transceiver

PREPARED AND CHECKED BY:

APPROVED BY:

Signed On File
Wong Cheuk Ho, Herbert
Lead Engineer

Wong Kwok Yeung, Kenneth
Senior Lead Engineer
Date: January 17, 2018

Intertek's standard Terms and Conditions can be obtained at our website <http://www.intertek.com/terms/>.

The test report only allows to be revised within the retention period unless further standard or the requirement was noticed

This report is for the exclusive use of Intertek's Client and is provided pursuant to the agreement between Intertek and its Client. Intertek's responsibility and liability are limited to the terms and conditions of the agreement. Intertek assumes no liability to any party, other than to the Client in accordance with the agreement, for any loss, expense or damage occasioned by the use of this report. Only the Client is authorized to permit copying or distribution of this report and then only in its entirety. Any use of the Intertek name or one of its marks for the sale or advertisement of the tested material, product or service must first be approved in writing by Intertek. The observations and test results in this report are relevant only to the sample tested. This report by itself does not imply that the material, product, or service is or has ever been under an Intertek certification program.

© 2017 Intertek

TEST REPORT

GENERAL INFORMATION

Grantee:	Matrix Industries, Inc.
Grantee Address:	1455 Adams Dr, Ste 1190, Menlo Park, CA 94025
Contact Person:	Akram Boukai
Tel:	+1-650-462-1003
Fax:	N/A
e-mail:	boukai@matrixindustries.com
Manufacturer:	Matrix Industries, Inc.
Manufacturer Address:	1455 Adams Dr, Ste 1190, Menlo Park, CA 94025
Brand Name:	Not Applicable
Model:	MPWBK
Type of EUT:	Transceiver
Description of EUT:	Black Ops
Serial Number:	N/A
FCC ID:	2ANY2MPWBK
Date of Sample Submitted:	September 22, 2017
Date of Test:	September 22, 2017 to November 14, 2017
Report No.:	17091044HKG-004
Report Date:	January 17, 2018
Environmental Conditions:	Temperature: +10 to 40°C Humidity: 10 to 90%

TEST REPORT

SUMMARY OF TEST RESULT

TEST SPECIFICATION	REFERENCE	RESULTS
Radiated Emission Radiated Emission on the Bandedge	15.249, 15.209	Pass
Radiated Emission in Restricted Bands	15.205	Pass

The equipment under test is found to be complying with the following standards:
FCC Part 15, October 1, 2016 Edition

- Note:
1. The EUT uses a permanently attached antenna which, in accordance to section 15.203, is considered sufficient to comply with the provisions of this section.
 2. Pursuant to FCC part 15 Section 15.215(c), the 20 dB bandwidth of the emission was contained within the frequency band designated (mentioned as above) which the EUT operated. The effects, if any, from frequency sweeping, frequency hopping, other modulation techniques and frequency stability over excepted variations in temperature and supply voltage were considered.

TEST REPORT

TABLE OF CONTENTS

1.0 GENERAL DESCRIPTION 5

 1.1 Product Description 5

 1.2 Related Submittal(s) Grants 5

 1.3 Test Methodology 5

 1.4 Test Facility 5

2.0 SYSTEM TEST CONFIGURATION 6

 2.1 Justification 6

 2.2 EUT Exercising Software 6

 2.3 Special Accessories 6

 2.4 Measurement Uncertainty 6

 2.5 Support Equipment List and Description 6

3.0 EMISSION RESULTS 7

 3.1 Field Strength Calculation 7

 3.2 Radiated Emission Configuration Photograph 8

 3.3 Radiated Emission Data 8

4.0 EQUIPMENT PHOTOGRAPHS 12

5.0 PRODUCT LABELLING 12

6.0 TECHNICAL SPECIFICATIONS 12

7.0 INSTRUCTION MANUAL 12

8.0 MISCELLANEOUS INFORMATION 13

 8.1 Radiated Emission on the Bandedge 13

 8.2 Discussion of Pulse Desensitization 16

 8.3 Calculation of Average Factor 16

 8.4 Emissions Test Procedures 18

 8.5 Occupied Bandwidth 22

9.0 CONFIDENTIALITY REQUEST 23

10.0 EQUIPMENT LIST 23

TEST REPORT

1.0 GENERAL DESCRIPTION

1.1 Product Description

The Equipment Under Test (EUT) is a Bluetooth 4.2 BLE wearable device (Smart watch) operating at the frequency range of 2402-2480MHz with 2 MHz channel spacing.

The smart watch is capable of monitoring wearer's status and sports data. After pairing with the smart phone, data synchronization between the EUT and smart phone would be available.

The EUT is powered by 3.82V rechargeable battery and can be charged with thermal energy via the metallic plate on the back.

All technical data refers to report 17091044HKG-001. The client declared that Model: Black Ops is the same as Model: PowerWatch (tested in the report 17091044HKG-001) in hardware aspect. The difference in model number and brand name serves as marketing strategy.

Antenna Type: Internal, Integral

For electronic filing, the brief circuit description is saved with filename: descri.pdf.

1.2 Related Submittal(s) Grants

This is a single application for certification of a transceiver.

1.3 Test Methodology

Radiated emission measurements were performed according to the procedures in ANSI C63.10 (2013). All radiated measurements were performed in an 3m Chamber. Preliminary scans were performed in the 3m Chamber only to determine worst case modes. All radiated tests were performed at an antenna to EUT distance of 3 meters, unless stated otherwise in the **"Justification Section"** of this Application.

1.4 Test Facility

The 3m Chamber used to collect the radiated data is located at Workshop No. 3, G/F., World-Wide Industrial Centre, 43-47 Shan Mei Street, Fo Tan, Sha Tin, N.T., Hong Kong. This test facility and site measurement data have been placed on file with the FCC.

TEST REPORT

2.0 SYSTEM TEST CONFIGURATION

2.1 Justification

The system was configured for testing in a typical fashion (as a customer would normally use it), and in the confines as outlined in ANSI C63.10 (2013).

The device was powered by fully charged 3.82V rechargeable battery.

For maximizing emissions, the EUT was rotated through 360°, the antenna height was varied from 1 meter to 4 meters above the ground plane, and the antenna polarization was changed. This step by step procedure for maximizing emissions led to the data reported in Exhibit 3.0.

The unit was operated standalone and placed in the centre of the turntable.

The equipment under test (EUT) was configured for testing in a typical fashion (as a customer would normally use it). The EUT was mounted to a plastic stand if necessary and placed on the wooden turntable, which enabled the engineer to maximize emissions through its placement in the three orthogonal axes.

2.2 EUT Exercising Software

The EUT exercise program (if any) used during radiated and conducted testing was designed to exercise the various system components in a manner similar to a typical use.

2.3 Special Accessories

There are no special accessories necessary for compliance of this product.

2.4 Measurement Uncertainty

When determining of the test conclusion, the Measurement Uncertainty of test has been considered.

2.5 Support Equipment List and Description

N/A.

TEST REPORT

3.0 EMISSION RESULTS

Data is included of the worst case configuration (the configuration which resulted in the highest emission levels). A sample calculation, configuration photographs and data tables of the emissions are included.

3.1 Field Strength Calculation

The field strength is calculated by adding the Antenna Factor and Cable Factor, and subtracting the Amplifier Gain (if any), Average Factor (optional) from the measured reading. The basic equation with a sample calculation is as follows:

$$FS = RA + AF + CF - AG - AV$$

where FS = Field Strength in dB μ V/m

RA = Receiver Amplitude (including preamplifier) in dB μ V

CF = Cable Attenuation Factor in dB

AF = Antenna Factor in dB

AG = Amplifier Gain in dB

AV = Average Factor in dB

In the following table(s), the reading shown on the data table reflects the preamplifier gain. An example for the calculations in the following table is as follows:

$$FS = RR + LF$$

where FS = Field Strength in dB μ V/m

RR = RA - AG - AV in dB μ V

LF = CF + AF in dB

Assume a receiver reading of 52.0 dB μ V is obtained. The antenna factor of 7.4 dB and cable factor of 1.6 dB are added. The amplifier gain of 29 dB and average factor of 5 dB are subtracted, giving a field strength of 27 dB μ V/m. This value in dB μ V/m was converted to its corresponding level in μ V/m.

$$RA = 52.0 \text{ dB}\mu\text{V/m}$$

$$AF = 7.4 \text{ dB}$$

$$CF = 1.6 \text{ dB}$$

$$AG = 29.0 \text{ dB}$$

$$AV = 5.0 \text{ dB}$$

$$FS = RR + LF$$

$$FS = 18 + 9 = 27 \text{ dB}\mu\text{V/m}$$

$$RR = 18.0 \text{ dB}\mu\text{V}$$

$$LF = 9.0 \text{ dB}$$

$$\text{Level in } \mu\text{V/m} = \text{Common Antilogarithm } [(27 \text{ dB}\mu\text{V/m})/20] = 22.4 \mu\text{V/m}$$

TEST REPORT

3.2 Radiated Emission Configuration Photograph

The worst case in radiated emission was found at 14880.000 MHz

For electronic filing, the worst case radiated emission configuration photographs are saved with filename: radiated photos.pdf.

3.3 Radiated Emission Data

The data on the following page lists the significant emission frequencies, the limit and the margin of compliance. Numbers with a minus sign are below the limit.

Judgment: Passed by 22.4 dB

TEST REPORT

RADIATED EMISSIONS

Model: MPWBLK

Date of Test: November 14, 2017

Worst-Case Operating Mode: Transmitting (Bluetooth 4.2 BLE)

Table 1
Pursuant to FCC Part 15 Section 15.249 Requirement

Lowest Channel

Polarization	Frequency (MHz)	Reading (dBµV)	Pre-Amp Gain (dB)	Antenna Factor (dB)	Net at 3m - Peak (dBµV/m)	Average Factor (dB)	Calculated at 3m (dBµV/m)	Average Limit at 3m (dBµV/m)	Margin (dB)
H	2402.000	78.9	33	29.4	75.3	52.8	22.5	94.0	-71.5
V	4804.000	38.6	33	34.9	40.5	52.8	-12.3	54.0	-66.3
V	7206.000	38.4	33	37.9	43.3	52.8	-9.5	54.0	-63.5
H	9608.000	40.1	33	40.4	47.5	52.8	-5.3	54.0	-59.3
H	12010.000	42.8	33	40.5	50.3	52.8	-2.5	54.0	-56.5
H	14412.000	44.2	33	40.0	51.2	52.8	-1.6	54.0	-55.6

Polarization	Frequency (MHz)	Reading (dBµV)	Pre-Amp Gain (dB)	Antenna Factor (dB)	Net at 3m - Peak (dBµV/m)	Peak Limit at 3m (dBµV/m)	Margin (dB)
H	2402.000	78.9	33	29.4	75.3	114.0	-38.7
V	4804.000	38.6	33	34.9	40.5	74.0	-33.5
V	7206.000	38.4	33	37.9	43.3	74.0	-30.7
H	9608.000	40.1	33	40.4	47.5	74.0	-26.5
H	12010.000	42.8	33	40.5	50.3	74.0	-23.7
H	14412.000	44.2	33	40.0	51.2	74.0	-22.8

- NOTES:
1. Peak Detector Data unless otherwise stated.
 2. All measurements were made at 3 meters. Harmonic emissions not detected at the 3-meter distances were measured at 0.3-meter and an inverse proportional extrapolation was performed to compare the signal level to the 3-meter limit. No other harmonic emissions than those reported were detected at a test distance of 0.3-meter.
 3. Negative sign in the column shows value below limit.
 4. Horn antenna is used for the emission over 1000MHz.
 5. Emission (the row indicated by **bold italic**) within the restricted band meets the requirement of FCC Part 15 Section 15.205.
 6. Measurement Uncertainty is ± 5.3 dB at a level of confidence of 95%.

TEST REPORT

Model: MPWBLK

Date of Test: November 14, 2017

Worst-Case Operating Mode: Transmitting (Bluetooth 4.2 BLE)

Table 2
Pursuant to FCC Part 15 Section 15.249 Requirement

Middle Channel

Polarization	Frequency (MHz)	Reading (dBμV)	Pre-Amp Gain (dB)	Antenna Factor (dB)	Net at 3m - Peak (dBμV/m)	Average Factor (dB)	Calculated at 3m (dBμV/m)	Average Limit at 3m (dBμV/m)	Margin (dB)
H	2440.000	80.7	33	29.4	77.1	52.8	24.3	94.0	-69.7
V	4880.000	38.7	33	34.9	40.6	52.8	-12.2	54.0	-66.2
V	7320.000	38.5	33	37.9	43.4	52.8	-9.4	54.0	-63.4
H	9760.000	39.8	33	40.4	47.2	52.8	-5.6	54.0	-59.6
H	12200.000	43.1	33	40.5	50.6	52.8	-2.2	54.0	-56.2
H	14640.000	45.9	33	38.4	51.3	52.8	-1.5	54.0	-55.5

Polarization	Frequency (MHz)	Reading (dBμV)	Pre-Amp Gain (dB)	Antenna Factor (dB)	Net at 3m - Peak (dBμV/m)	Peak Limit at 3m (dBμV/m)	Margin (dB)
H	2440.000	80.7	33	29.4	77.1	114.0	-36.9
V	4880.000	38.7	33	34.9	40.6	74.0	-33.4
V	7320.000	38.5	33	37.9	43.4	74.0	-30.6
H	9760.000	39.8	33	40.4	47.2	74.0	-26.8
H	12200.000	43.1	33	40.5	50.6	74.0	-23.4
H	14640.000	45.9	33	38.4	51.3	74.0	-22.7

- NOTES:
1. Peak Detector Data unless otherwise stated.
 2. All measurements were made at 3 meters. Harmonic emissions not detected at the 3-meter distances were measured at 0.3-meter and an inverse proportional extrapolation was performed to compare the signal level to the 3-meter limit. No other harmonic emissions than those reported were detected at a test distance of 0.3-meter.
 3. Negative sign in the column shows value below limit.
 4. Horn antenna is used for the emission over 1000MHz.
 5. Emission (the row indicated by **bold italic**) within the restricted band meets the requirement of FCC Part 15 Section 15.205.
 6. Measurement Uncertainty is ±5.3dB at a level of confidence of 95%.

TEST REPORT

Model: MPWBK

Date of Test: November 14, 2017

Worst-Case Operating Mode: Transmitting (Bluetooth 4.2 BLE)

Table 3
Pursuant to FCC Part 15 Section 15.249 Requirement

Highest Channel

Polarization	Frequency (MHz)	Reading (dBμV)	Pre-Amp Gain (dB)	Antenna Factor (dB)	Net at 3m - Peak (dBμV/m)	Average Factor (dB)	Calculated at 3m (dBμV/m)	Average Limit at 3m (dBμV/m)	Margin (dB)
H	2480.000	81.7	33	29.4	78.1	52.8	25.3	94.0	-68.7
V	4960.000	38.4	33	34.9	40.3	52.8	-12.5	54.0	-66.5
V	7440.000	38.8	33	37.9	43.7	52.8	-9.1	54.0	-63.1
H	9920.000	40.3	33	40.4	47.7	52.8	-5.1	54.0	-59.1
H	12400.000	42.9	33	40.5	50.4	52.8	-2.4	54.0	-56.4
H	14880.000	46.2	33	38.4	51.6	52.8	-1.2	54.0	-55.2

Polarization	Frequency (MHz)	Reading (dBμV)	Pre-Amp Gain (dB)	Antenna Factor (dB)	Net at 3m - Peak (dBμV/m)	Peak Limit at 3m (dBμV/m)	Margin (dB)
H	2480.000	81.7	33	29.4	78.1	114.0	-35.9
V	4960.000	38.4	33	34.9	40.3	74.0	-33.7
V	7440.000	38.8	33	37.9	43.7	74.0	-30.3
H	9920.000	40.3	33	40.4	47.7	74.0	-26.3
H	12400.000	42.9	33	40.5	50.4	74.0	-23.6
H	14880.000	46.2	33	38.4	51.6	74.0	-22.4

- NOTES:
1. Peak Detector Data unless otherwise stated.
 2. All measurements were made at 3 meters. Harmonic emissions not detected at the 3-meter distances were measured at 0.3-meter and an inverse proportional extrapolation was performed to compare the signal level to the 3-meter limit. No other harmonic emissions than those reported were detected at a test distance of 0.3-meter.
 3. Negative sign in the column shows value below limit.
 4. Horn antenna is used for the emission over 1000MHz.
 5. Emission (the row indicated by **bold italic**) within the restricted band meets the requirement of FCC Part 15 Section 15.205.
 6. Measurement Uncertainty is ±5.3dB at a level of confidence of 95%.

TEST REPORT

4.0 EQUIPMENT PHOTOGRAPHS

For electronic filing, the photographs are saved with filename: external photos.pdf and internal photos.pdf.

5.0 PRODUCT LABELLING

For electronics filing, the FCC ID label artwork and the label location are saved with filename: label.pdf.

6.0 TECHNICAL SPECIFICATIONS

For electronic filing, the block diagram and schematic of the tested EUT are saved with filename: block.pdf and circuit.pdf respectively.

7.0 INSTRUCTION MANUAL

For electronic filing, a preliminary copy of the Instruction Manual is saved with filename: manual.pdf.

This manual will be provided to the end-user with each unit sold/leased in the United States and Canada.

TEST REPORT**8.0 MISCELLANEOUS INFORMATION**

The miscellaneous information includes details of the test procedure and measured bandwidth / calculation of factor such as pulse desensitization and averaging factor (calculation and timing diagram).

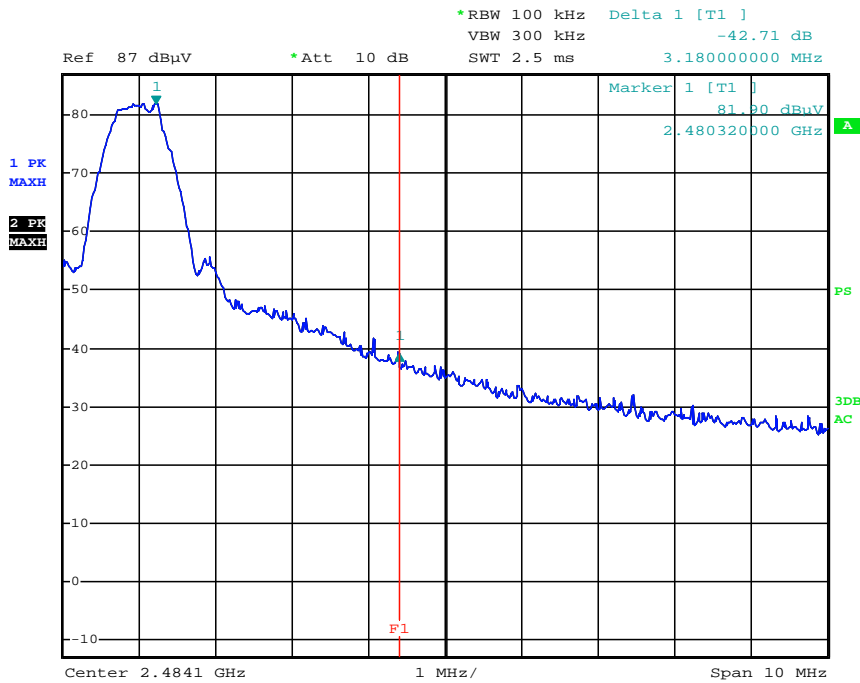
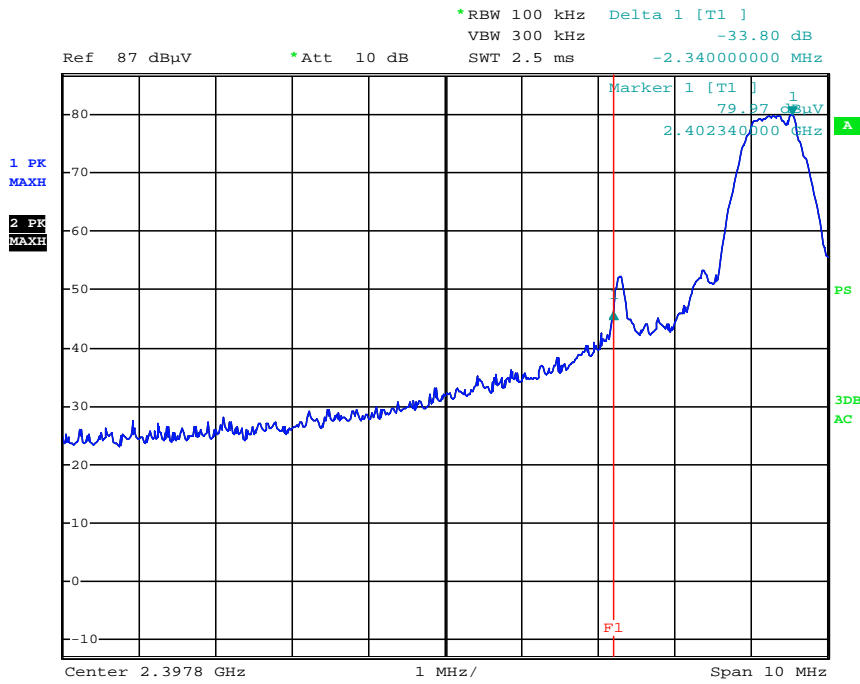
8.1 Radiated Emission on the Bandedge

From the following plots, they show that the fundamental emissions are confined in the specified band (2400MHz to 2483.5MHz). In case of the fundamental emissions are within two standard bandwidths from the bandedge, the delta measurement technique is used for determining bandedge compliance. Standard bandwidth is the bandwidth specified by ANSI C63.10 (2013) for frequency being measured.

Emissions radiated outside of the specified frequency bands, except harmonics, are attenuated by 50dB below the level of the fundamental or to the general radiated emissions limits in Section 15.209, whichever is the lesser attenuation, which meet the requirement of part 15.249(d).

TEST REPORT

Peak Measurement



TEST REPORT

Peak Measurement

Bandedge compliance is determined by applying marker-delta method, i.e. (Bandedge Plot).

Lower bandedge

Peak Resultant field strength = Fundamental emissions (peak value) – delta from the plot

$$=75.3 \text{ dB}\mu\text{V/m} - 33.8 \text{ dB}$$

$$=41.5 \text{ dB}\mu\text{V/m}$$

Average Resultant field strength = Fundamental emissions (average value) – delta from the plot

$$=22.5 \text{ dB}\mu\text{V/m} - 33.8 \text{ dB}$$

$$=-11.3 \text{ dB}\mu\text{V/m}$$

Upper bandedge

Peak Resultant field strength = Fundamental emissions (peak value) – delta from the plot

$$=78.1 \text{ dB}\mu\text{V/m} - 42.7 \text{ dB}$$

$$=35.4 \text{ dB}\mu\text{V/m}$$

Average Resultant field strength = Fundamental emissions (average value) – delta from the plot

$$=25.3 \text{ dB}\mu\text{V/m} - 42.7 \text{ dB}$$

$$=-17.4 \text{ dB}\mu\text{V/m}$$

The resultant field strength meets the general radiated emission limit in Section 15.209, which does not exceed 74 dB μ V/m (Peak Limit) and 54 dB μ V/m (Average Limit).

TEST REPORT

8.2 Discussion of Pulse Desensitization

Pulse desensitivity is not applicable for this device. The effective period (Teff) is approximately 0.23ms for a digital "1" bit which illustrated on technical specification, with a resolution bandwidth (3dB) of 1MHz, so the pulse desensitivity factor is 0dB.

8.3 Calculation of Average Factor

The duty cycle is simply the on-time divided by the period:

The duration of one cycle = 100ms

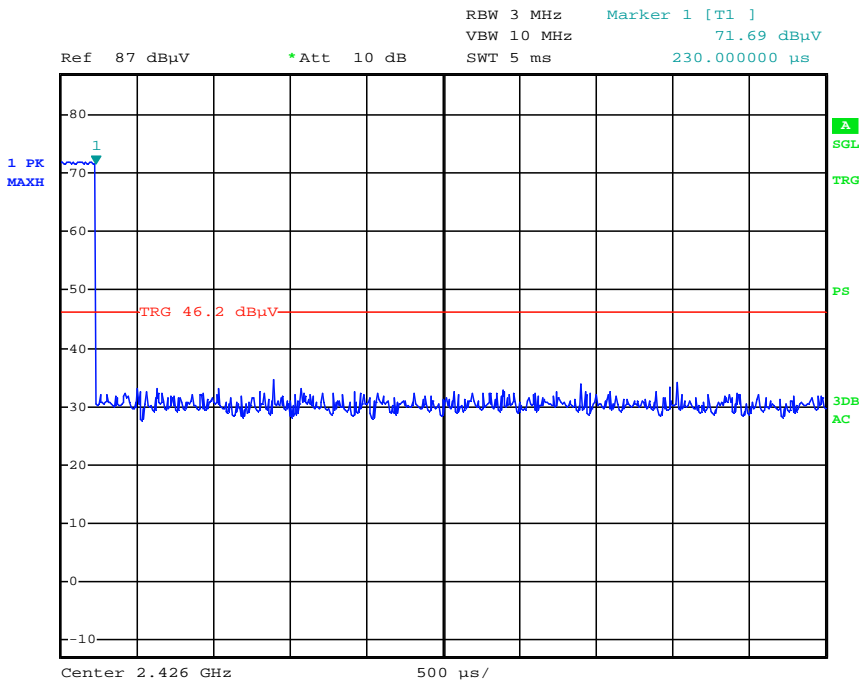
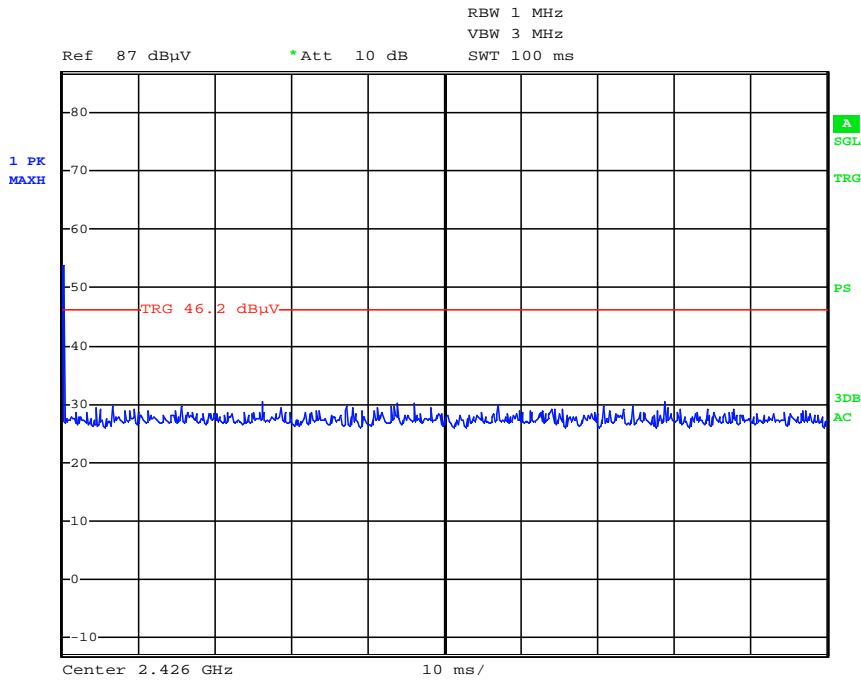
Effective period of the cycle = $0.23\text{ms} \times 1 = 0.23\text{ms}$

DC = $0.23 / 100 = 0.0023$

Therefore, the averaging factor is found by $20\log 0.0023 = -52.8\text{dB}$.

TEST REPORT

Average Factor



TEST REPORT

8.4 Emissions Test Procedures

The following is a description of the test procedure used by Intertek Testing Services Hong Kong Ltd. in the measurements of transmitter operating under the Part 15, Subpart C rules.

The transmitting equipment under test (EUT) is placed on a wooden turntable which is four feet in diameter and approximately 0.8m in height above the ground plane for emission measurement at or below 1GHz and 1.5m in height above the ground plane for emission measurement above 1GHz. During the radiated emissions test, the turntable is rotated and any cables leaving the EUT are manipulated to find the configuration resulting in maximum emissions. The EUT is adjusted through all three orthogonal axis to obtain maximum emission levels. The antenna height and polarization are also varied during the testing to search for maximum signal levels. The height of the antenna is varied from one to four meters.

Detector function for radiated emissions is in peak mode. Average readings, when required, are taken by measuring the duty cycle of the equipment under test and subtracting the corresponding amount in dB from the measured peak readings. A detailed description for the calculation of the average factor can be found in Exhibit 8.3.

The frequency range scanned is from the lowest radio frequency signal generated in the device which is greater than 9 kHz to the tenth harmonic of the highest fundamental frequency or 40 GHz, whichever is lower.

TEST REPORT

8.4 Emissions Test Procedures (cont'd)

The EUT is warmed up for 15 minutes prior to the test.

AC power to the unit is varied from 85% to 115% nominal and variation in the fundamental emission field strength is recorded. If battery powered, a new, fully charged battery is used.

Conducted measurements were made as described in ANSI C63.10 (2013).

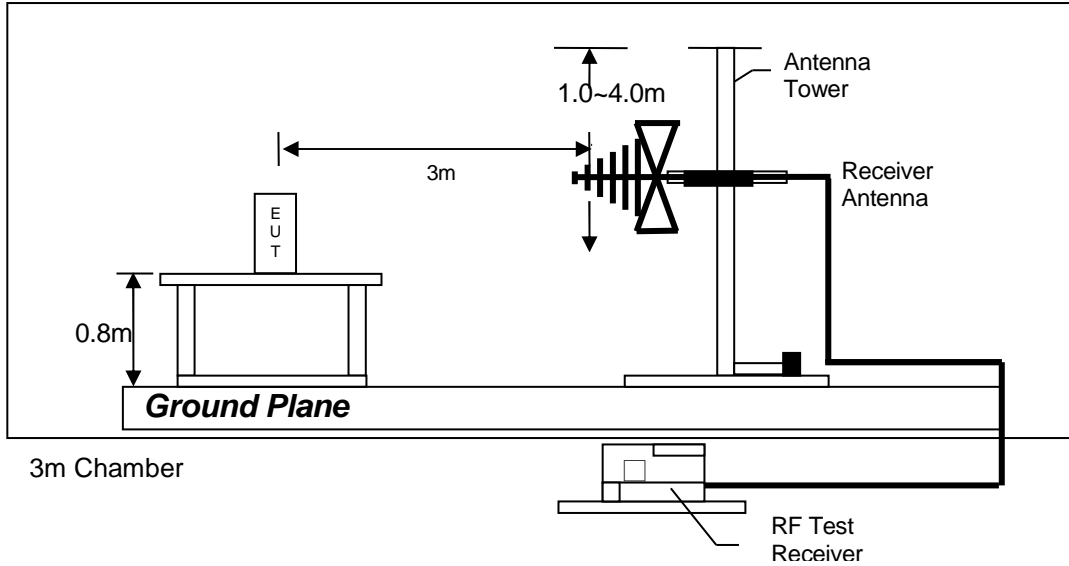
The IF bandwidth used for measurement of radiated signal strength was 100 kHz or greater when frequency is below 1000 MHz. Where pulsed transmissions of short enough pulse duration warrant, a greater bandwidth is selected according to the recommendations of Hewlett Packard Application Note 150-2. A discussion of whether pulse desensitivity is applicable to this unit is included in this report (See Exhibit 8.1). Above 1000 MHz, a resolution bandwidth of 3 MHz is used.

Transmitter measurements are normally conducted at a measurement distance of three meters. However, to assure low enough noise floor in the forbidden bands and above 1 GHz, signals are acquired at a distance of one meter or less. All measurements are extrapolated to three meters using inverse scaling, unless otherwise reported. Measurements taken at a closer distance are so marked.

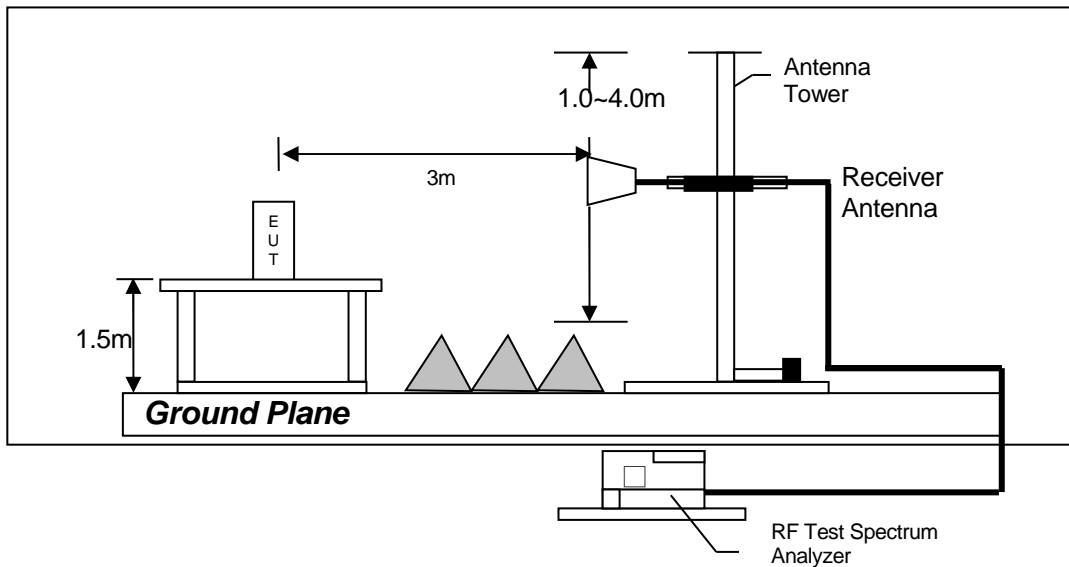
TEST REPORT

8.4.1 Radiated Emission Test Setup

The figure below shows the test setup, which is utilized to make these measurements.



Test setup of radiated emissions up to 1GHz



Test setup of radiated emissions above 1GHz

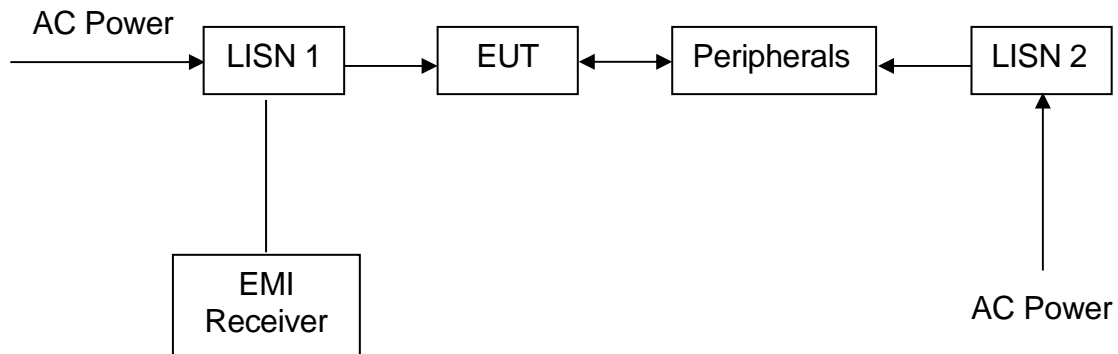
TEST REPORT

8.4.2 Conducted Emission Test Procedures

For tabletop equipment, the EUT along with its peripherals were placed on a 1.0m(W)×1.5m(L) and 0.8m in height wooden table. For floor-standing equipment, the EUT and all cables were insulated, if required, from the ground plane by up to 12 mm of insulating material. The EUT was adjusted to maintain a 0.4 meter space from a vertical reference plane. The EUT was connected to power mains through a line impedance stabilization network (LISN), which provided 50 ohm coupling impedance for measuring instrument and the chassis ground was bounded to the horizontal ground plane of shielded room. The excess power cable between the EUT and the LISN was bundled.

All connecting cables of EUT and peripherals were moved to find the maximum emission.

8.4.3 Conducted Emission Test Setup



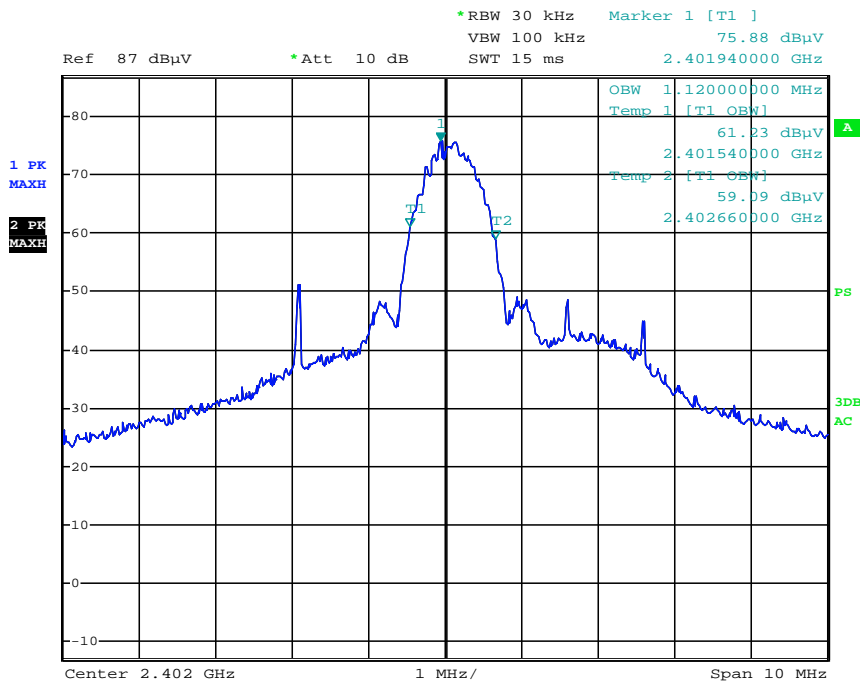
TEST REPORT

8.5 Occupied Bandwidth

Occupied Bandwidth Results:

Bluetooth (MHz)	Occupied Bandwidth (MHz)
Low Channel: 2402	1.12
Middle Channel: 2442	1.10
High Channel: 2480	1.08

The worst case is shown as below



TEST REPORT

9.0 CONFIDENTIALITY REQUEST

For electronic filing, a preliminary copy of the confidentiality request is saved with filename: request.pdf.

10.0 EQUIPMENT LIST

1) Radiated Emissions Test

EQUIPMENT	SPECTRUM ANALYZER	EMI TEST RECEIVER	LOG PERIODIC ANTENNA
Registration No.	EW-2253	EW-2500	EW-0572
Manufacturer	ROHDESCHWARZ	ROHDESCHWARZ	EMCO
Model No.	FSP40	ESCI	3146
Calibration Date	Jul. 24, 2017	Oct. 13, 2017	Aug. 04, 2016
Calibration Due Date	Jul. 24, 2018	Oct. 13, 2018	Feb. 04, 2018

EQUIPMENT	BICONICAL ANTENNA	NOTCH FILTER (CUTOFF FREQUENCY 2.4GHZ TO 2.5GHZ) 2 PIECES	DOUBLE RIDGED GUIDE ANTENNA
Registration No.	EW-2512	EW-2213	EW-0194
Manufacturer	EMCO	MICROTRONICS	EMCO
Model No.	3104C	BRM50701-02	3115
Calibration Date	Nov 16, 2016	May 26, 2017	Aug. 10, 2016
Calibration Due Date	May. 16, 2018	May 26, 2018	Feb. 10, 2018

EQUIPMENT	Active Loop H-field (9kHz to 30MHz)	HIGH PASS FILTER 3GHZ TO 12GHZ (2 PIECES)	RF PRE-AMPLIFIER 3 PCS (9KHZ TO 40GHZ)
Registration No.	EW-3326	EW-1835	EW-3006
Manufacturer	EMCO	KLMICROWAVE	SCHWARZBECK
Model No.	6502	11SH10-3000/T12000-0/OP	BBV 9718
Calibration Date	Sep. 27, 2017	Mar. 22, 2017	Mar. 23, 2017
Calibration Due Date	Mar. 27, 2019	Mar. 22, 2018	Mar. 23, 2018

EQUIPMENT	Pyramidal Horn Antenna	RF Cable 9kHz to 1000MHz	RF Cable 14m (1GHz to 26.5GHz)
Registration No.	EW-0905	EW-3170	EW-2781
Manufacturer	EMCO	N/A	GREATBILLION
Model No.	3160-09	9kHz to 1000MHz	SMA m/SHF5MPU /SMA m ra14m,26G
Calibration Date	Aug. 18, 2017	Mar. 20, 2017	Sep. 25, 2017
Calibration Due Date	Feb. 18, 2019	Mar. 20, 2018	Sep. 25, 2018

TEST REPORT

2) Bandedge Measurement

EQUIPMENT	RF Cable (up to 40GHz) 1.5m length	Spectrum Analyzer
Registration No.	EW-3104	EW-2253
Manufacturer	N/A	R&S
Model No.	SMA-M to SMA-M	FSP40
Calibration Date	Feb. 28, 2017	Jul. 24, 2017
Calibration Due Date	Feb. 28, 2018	Jun. 24, 2018

END OF TEST REPORT