

EN User Guide

Caring for your Vinyl Record Player

Do not place naked flame sources, such as lighted candles on or near the turntable. Keep away from dripping or splashed liquids do not place drinks or vases on the unit.

The unit should not be exposed to direct sunlight, very high or low temperatures, moisture, strong magnetic fields high frequencies and dusty environments.

Always leave sufficient space around the unit for ventilation.

Do not use abrasives, thinner or other solvents to clean the unit. To clean, wipe with a clean, soft, damp cloth. To clean your vinyl records, gently wipe the surface in a circular motion using a soft anti-static cloth.

Never attempt to insert wires, pins or other such objects into the vents or opening of the unit.

Do not disassemble or modify the unit, there are no user serviceable parts apart from the stylus which should be replaced when worn.

If the turntable is damaged or malfunctions do not use. Consult a qualified service engineer.

Always use the power adaptor supplied if you need to replace it make sure the replacement has the same power rating.

Do not move the unit while a record is playing or the pick up arm is unsecured.

Do not dispose of this product with household waste at the end of its life cycle; hand it over to a collection centre for the recycling of electrical and electronic appliances. Please check with your Local Authority for recycling advice.



Contents.....	Page
Controls & features	4-5
Setting up your turntable.....	6
Connecting to External Speakers or Amplifier	6
Powering your Turntable.....	6
Eco Auto Power Off.....	6
Playing a Vinyl Record	7
Auto-Stop switch	7
Bluetooth connection	8
Auxillary Input	8
Counterweight and Tracking Force Adjustment	8
Replacing Stylus.....	9
Replacing Belt.....	9
Troubleshooting.....	10
Specifications.....	10
Technical support	10

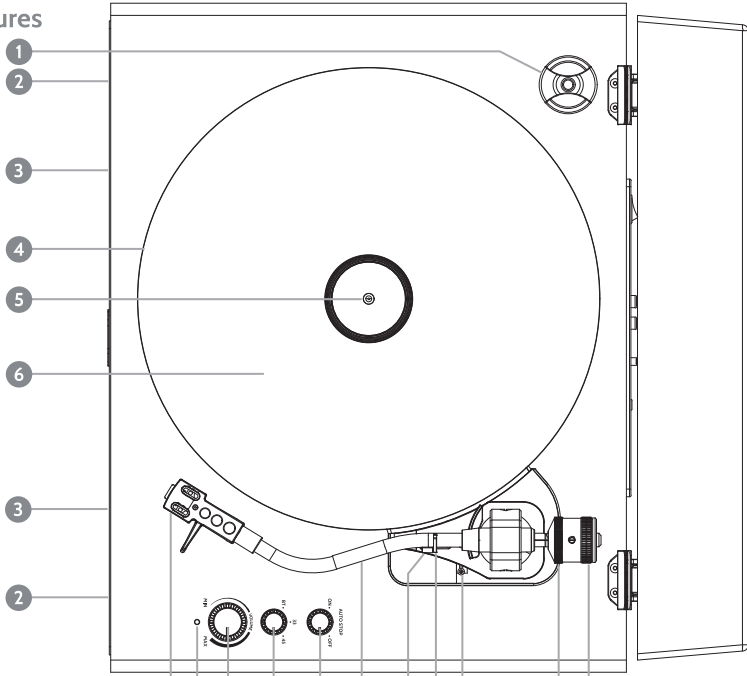
Box Contents

i-box Stylus N10 turntable	1x Instruction manual
1x Dust cover	1x Quick start guide.
1x Power adaptor	

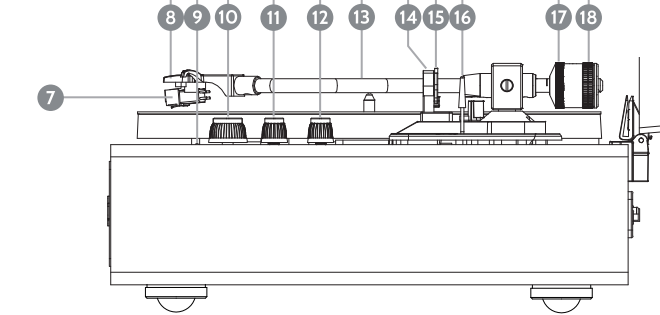


Controls & Features

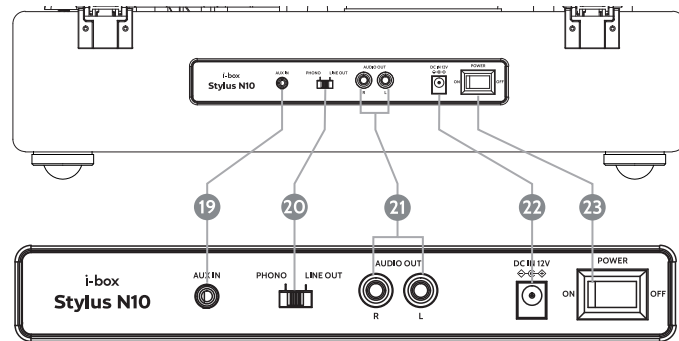
Top View



Side View

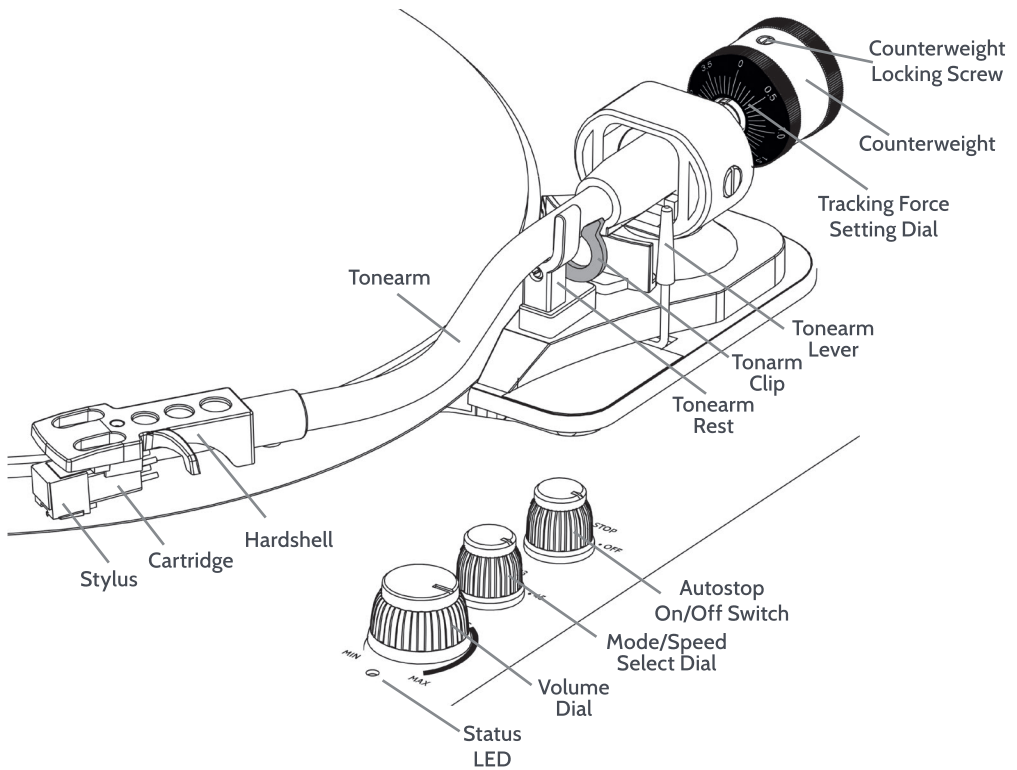


Back Panel



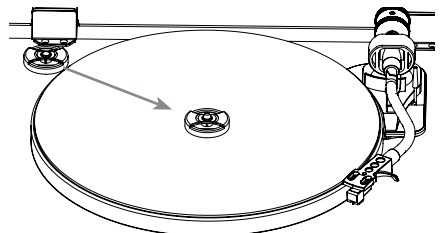
Controls & Features

1. 45 RPM Spindle Adaptor
2. Tweeters
3. Mid Range Speakers
4. Turntable Platter
5. Spindle
6. Platter Mat
7. Stylus & Cartridge
8. Hardshell
9. Status LED: BT=Blue, 33/45=Red, AUX IN=Purple
10. Volume Dial
11. BT / 33 / 45 rpm Mode /Speed Select Dial
12. Autostop On/Off Switch
13. Tonearm
14. Tonearm Rest
15. Tonarm Clip
16. Tonearm Lever
17. Tracking Force Setting Dial
18. Counterweight
19. AUX-IN Port
20. Phono / Line Out Switch
21. Stereo Audio Out Phono Sockets
22. DC In Socket for Mains Adapter
23. Power On/Off Switch

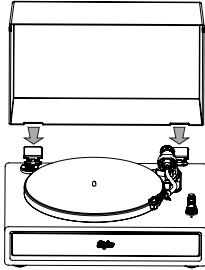


Spindle Adaptor

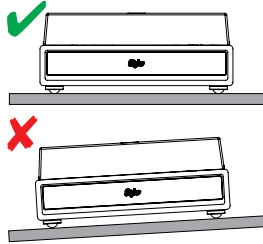
Some 45rpm records may have had their centres pressed out for playing on a juke box. Place the adaptor on the spindle to play these records.



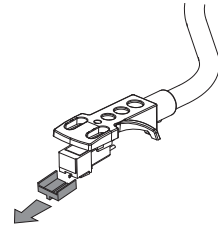
Setting up your turntable.



Remove the unit from all packaging and slide the sockets on the dustcover onto the hinges on the back of the unit. Then remove any tape or wire holding parts of the turntable in position.



Make sure the turntable is placed on a stable level surface,

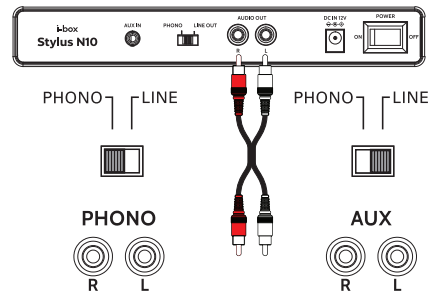


Remove the protective Stylus Guard from the tonearm cartridge (8) by gently pulling it forwards.

PLEASE NOTE: *The tonearm counterweight has been preset for the AT 3600 L cartridge fitted. If the balance appears to be incorrect and the stylus skips on the vinyl when you start playing records you may need to adjust the counterweight as described on page 8.*

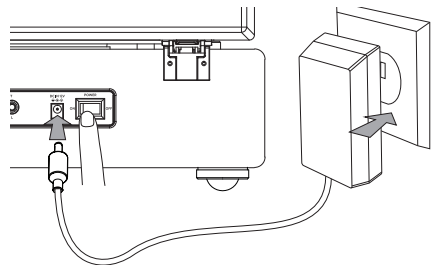
Connecting to External Speakers or Amplifier

The Stylus N10 can be used with active (powered) speakers or connected to the amplifier of a Hi-Fi system using the RCA sockets on the back panel and a suitable RCA or phono cable (not supplied). If making a connection to phono sockets make sure the Phono / Line Out Switch (20) is set to PHONO as the line out setting is amplified and may damage the phono channel of a HiFi amplifier. If connecting to AUX IN sockets on the external equipment set to LINE (Out).



Powering your Turntable

Once your N10 is fully assembled and all connections are made. Connect the power adapter supplied into the DC IN socket (22) on the back panel and to a mains socket. Switch the power switch (23) to on.



Auto Power Off

To save energy, your Stylus N10 has been designed to automatically power off if no record is played and there is no Bluetooth or AUX input for 60 minutes.

To reactivate the unit, simply flick the main power switch on the back panel to OFF and then ON again.

The LED will come back on again to indicate that power has been restored.

