



**T400D**  
**T400 Turntable**  
**Instruction Manual**

---



Questions, problems, missing parts?  
Before returning to the store, call Customer Service  
8 a.m. – 6 p.m., EST, Monday – Friday  
1-888-CROSLEY  
[www.crosleyradio.com](http://www.crosleyradio.com)

## Safety Instructions

---

Read and understand this entire manual before using this product. Keep these instructions for future reference.

1. Do not use this product near water.
2. This product should be operated only by the type of power source indicated on the marking label or in this instruction manual.
3. Do not defeat the safety purpose of the polarized plug. A polarized plug has two blades with one blade wider than the other. This plug will fit into the power outlet only one way. If you are unable to insert the plug fully into the outlet try reversing the plug. If the plug should still fail to fit, contact your electrician.
4. Protect the power cord from being walked on or pinched particularly at plugs, convenience receptacles, and the point where they exit from the product.
5. Do not overload wall outlets, extension cords, or integral convenience receptacles as this can result in a risk of fire or electric shock.
6. Never push objects of any kind into this product through openings as they may touch dangerous voltage points or short-out parts that could result in a fire or electric shock. Never spill liquid of any kind on the product.
7. Do not attempt to service this product yourself as opening or removing covers may expose you to dangerous voltage or other hazards. Refer all servicing to qualified service personnel.
8. Changes or modifications to this unit not expressly approved by the party responsible for compliance could void the user's authority to operate the equipment.
9. Do not use attachments not recommended by the product manufacturer as they may cause hazards.
10. A product and cart combination should be moved with care. Quick stops, excessive force, and uneven surfaces may cause the product and cart combination to overturn.
11. Slots and openings in the cabinet are provided for ventilation and to ensure reliable operation of the product and to protect it from overheating. Do not block or cover these openings.
12. Unplug the product during lightning storm or when unused for long periods of time.

## Items in this package

---

Before throwing away any packaging materials, please check thoroughly and make sure you find the following items that come along with this package:

- Turntable
- Turntable Lid
- Turntable Platter
- Turntable Slip Mat
- 45 RPM Adapter
- Power Adaptor

Please contact Crosley Customer Service if there is any accessory missing from the package. **Retain the original packaging materials for exchange or return purposes.**

## Specifications

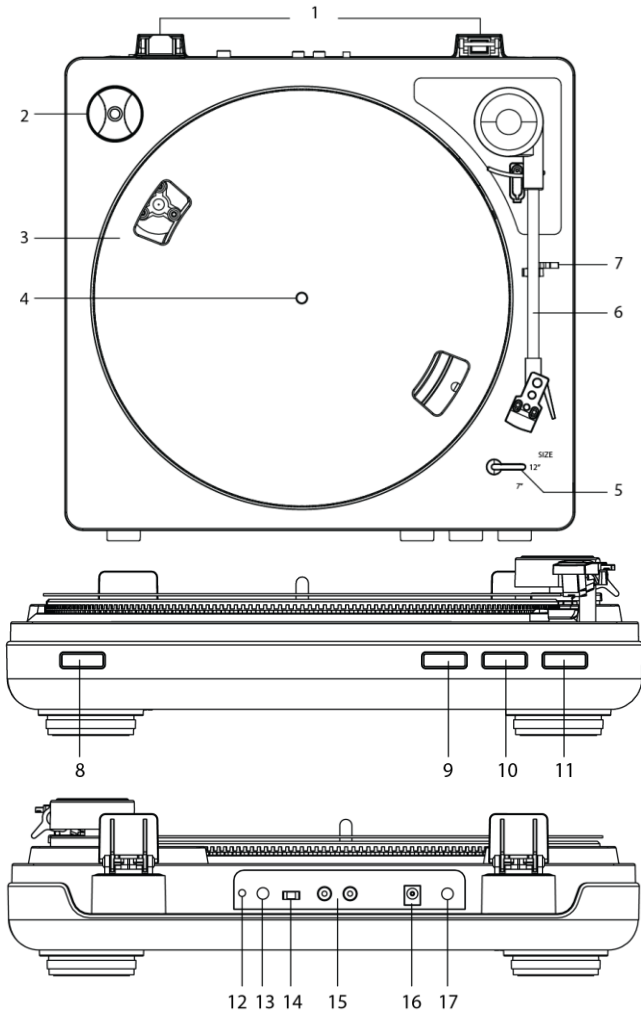
---

Power	AC power adaptor, DC output 12V 200mA
Power consumption	2W
Turntable speed	33 <sup>1</sup> / <sub>3</sub> , 45 RPM
Replacement needle	Crosley NP5

Note:

- *Design and specifications are subject to change without notice.*
- **To help save power consumption, some models will comply with ERP energy saving standard. When there is no audio input for 20 minutes, their powers will automatically cut-off. To turn power back on and resume playing, you will need to turn off the power and turn it on again.**

## Product Description



- |                      |                         |
|----------------------|-------------------------|
| 1. Hinges            | 10. Stop Button         |
| 2. 45 RPM Adapter    | 11. Lift Button         |
| 3. Turntable Platter | 12. Bluetooth Indicator |
| 4. Turntable Spindle | 13. Bluetooth Button    |
| 5. Size Selector     | 14. Phone Line Switch   |
| 6. Tonearm           | 15. RCA Jack            |
| 7. Hold Down Clip    | 16. Power Jack          |
| 8. Speed Selector    | 17. ON/OFF Button       |
| 9. Start Button      |                         |

## Initial Setup

---

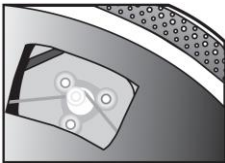
### Essential Setup

1. Place the unit on a flat and level surface. The selected location should be stable and free from vibration.
2. Install the turntable lid to the hinges.
3. Remove the tie-wrap that is holding the tonearm.
4. Install the turntable platter and drive belt accordingly.
5. Place the slip mat on top of the turntable platter.
6. Connect AC adaptor to the Power Jack of the unit.

*Note: Do not plug the AC power adaptor to power outlet before all the assembly is completed. Before turning the power on, make sure again all the connection settings are correct. Always turn off the power when connecting or disconnecting.*

### Turntable Platter and Belt Setup

1. Install the drive belt over the inner ring under the platter and make sure it won't fall off during the setup.
2. Place the platter through the turntable spindle, then rotate the platter until you see the drive motor pulley through the window at the top right corner.
3. Carefully grab the drive belt and put it around the slot of motor pulley.



## Stereo System Connection

---

### RCA Jacks

- The RCA Jacks output analog line-level signals and could be connected directly with a pair of active/powered speakers or the appropriate input of your stereo system.
- The Red plug connects with the Right channel and the White plug connects with the Left channel.

*Note: The RCA Jacks are not designed to be connected directly to the passive/unpowered speakers. If connected to the passive speakers, the volume level will be very low.*

## **Turntable Operation**

---

### **Automatic Operation**

1. Press the ON / OFF Button to turn on the power.
2. Set the Size Selector to the appropriate record size.
3. Set the Speed Button accordingly.
4. Place the record on the turntable. Use the 45 RPM Adapter if necessary.
5. Remove the stylus protector from the stylus assembly.  
*Note: To avoid stylus damage, make certain the included stylus guard is in place whenever the turntable is being moved or cleaned.*
6. Release the tonearm Hold Down Clip.  
*Note: when the turntable is not in use, remember to lock back hold down clip.*
7. Gently push the START Button. The turntable will start and the tone arm automatically will move to the record. When the record has finished playing, the tone arm will automatically return to the tone arm rest and the turntable will shut off.
8. To stop playing the record before it reaches the end, press the STOP Button. The tone arm will lift and return to the tone arm rest, and the turntable will shut off.
9. To pause the record before it has completed playing, press the Tone Arm Lift Button. Press the Lift button again to continue playing the record.
10. After playing is finished, lock the Hold Down Clip to secure the tonearm.

### **Manual Operation**

1. Press the ON / OFF Button to turn on the power.
2. Set the Size Selector to the appropriate record size.
3. Set the Speed Button accordingly.
4. Place the record on the turntable. Use the 45 RPM Adapter if necessary.
5. Remove the stylus protector from the stylus assembly.  
*Note: To avoid stylus damage, make certain the included stylus guard is in place whenever the turntable is being moved or cleaned.*
6. Release the tonearm Hold Down Clip.  
*Note: when the turntable is not in use, remember to lock back hold down clip.*
7. Press the Lift Button in to raise the tone arm.
8. Gently move the tone arm where play is desired to begin.
9. Press the Lift button again to gently lower the tone arm and play the record.
10. After playing is finished, lock the Hold Down Clip to secure the tonearm.

*Caution: When the tone arm reaches the end of the record, it will lift and return to the tone arm rest automatically. When this happens, do not interfere with the tone arm's motion, or damage to the mechanism may occur.*

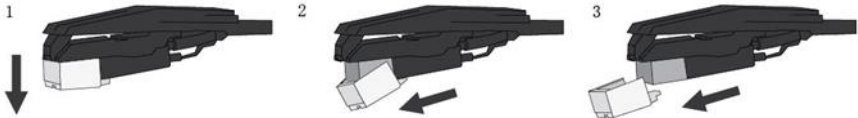
---

## Needle Replacement

---

### Removing Needle

1. Gently pull down the front edge of the needle.
2. Pull needle forward.
3. Pull out and remove.



### Installing Needle

1. Position the needle with its tip facing down.
2. Line up the back of the needle with the cartridge.
3. Insert the needle with its front end at a downward angle and gently lift the front of the needle upward until it snaps into place.



---

## Bluetooth Streaming Operation

---

1. Turn on the Bluetooth mode of the Bluetooth speaker and prepare it for pairing. Please read the user manual of the speaker for detailed instructions if needed.
2. Press the Bluetooth Button on the back of the unit. The Bluetooth Indicator will begin to flash quickly. If the speaker was pre-registered in the past, the turntable will connect to the speaker automatically during this stage.
3. Once the turntable and the speaker are paired, the **Bluetooth Indicator** will stay on.
4. Play the record and enjoy the music.
5. To turn off the Bluetooth streaming feature, press the **Bluetooth Button**.

*Note:*

*Bluetooth version - 4.1*

1. *When the unit is not connected to a Bluetooth speaker; the Bluetooth Indicator light will flash slowly.*

## Turntable Maintenance

---

1. Do not touch the stylus tip with your fingers. Avoid bumping the stylus on the turntable mat or a record's edge.
2. Clean the stylus frequently with a soft brush with a back-to-front motion only.
3. Clean the records to get rid of dust or grease with a record cleaning brush and record cleaning solution.
4. Clean the turntable lid and turntable cabinet with a slightly damped microfiber cloth.

*Note: Do not use cleanser that contains alcohol, benzene, or any other harsh chemicals which might damage the paint and finish of the turntable.*

**\*\* Crosley offers a product line of different cleaning accessories. Please ask your retailer or check out our website [www.crosleyradio.com](http://www.crosleyradio.com) for more cleaning product information.**

## Troubleshooting

---

### There is no power

- Power adaptor is not connected correctly.
- No power at the power outlet.
- To help save power consumption, some models will comply with ERP energy saving standard. When there is no audio input for 20 minutes, their powers will automatically cut-off. To turn power back on and resume playing, turn off the power and turn it on again.

### Power is on, but the platter does not turn

- Turntable mode is not selected.
- Turntable's drive belt has slipped off.

### Turntable is spinning, but there is no sound, or sound not loud enough

- Stylus protector is still on.
- Headphone are plugged in.



## FCC Statements

---

### FCC Caution:

1. This device complies with Part 15 of the FCC rules/ Industry Canada license-exempt RSS standard(s). Operation is subject to the following two conditions:
  - (1) This device may not cause harmful interference, and
  - (2) This device must accept any interference received, including interference that may cause undesired operation.
2. This device and its antenna(s) must not be co-located or operating in conjunction with any other antenna or transmitter.
3. Changes or modifications to this unit not expressly approved by the party responsible for compliance could void the user authority to operate the equipment.
4. This equipment complies with FCC radiation exposure limits set forth for an uncontrolled environment.
5. This equipment should be installed and operated with minimum distance 20cm between the radiator & your body.

### Note:

This equipment has been tested and found to comply with the limits for a Class B digital device, pursuant to Part 15 of the FCC Rules. These limits are designed to provide reasonable protection against harmful interference in a residential installation. This equipment generates, uses, and can radiate radio frequency energy and, if not installed and used in accordance with the instructions, may cause harmful interference to radio communications. However, there is no guarantee that interference will not occur in a particular installation. If this equipment does cause harmful interference to radio or television reception, which can be determined by turning the equipment off and on, the user is encouraged to try to correct the interference by one or more of the following measures:

- Reorient or relocate the receiving antenna.
- Increase the separation between the equipment and receiver.
- Connect the equipment into a circuit different from that to which the receiver is connected.
- Consult the dealer or an experienced radio TV technician for help.



**T400D**  
**T400 Tocadiscos**  
**Manual de instrucciones**

---



¿Tiene preguntas, ha tenido problemas o hay piezas faltantes?  
Antes de devolver el producto a la tienda, comuníquese con nuestro Servicio al Cliente  
de 8 a. m. a 6 p. m., hora del este, de lunes a viernes  
1-888-CROSLEY  
[www.crosleyradio.com](http://www.crosleyradio.com)

## Instrucciones de seguridad

---

Lea y comprenda este manual en su totalidad antes de usar este producto. Conserve estas instrucciones para consultarlas en el futuro.

1. No use este producto cerca del agua.
2. Este producto debe ser utilizado solo con el tipo de fuente de alimentación indicado en la etiqueta o en este manual de instrucciones.
3. No subestime el propósito de seguridad del enchufe polarizado. Un enchufe polarizado posee dos hojas; una de ellas es más ancha que la otra. Este enchufe encajará en el tomacorriente en un solo sentido. Si no logra insertar completamente el enchufe en el tomacorriente, pruebe invirtiendo el enchufe. Si aun así el enchufe no encaja, comuníquese con su electricista.
4. Proteja el cable de alimentación de ser pisado o pinzado, en especial en los enchufes, los tomacorrientes y en el punto donde el cable sale del producto.
5. No sobrecargue los tomacorrientes de pared, cables de alargue, o receptáculos integrales, ya que puede generar un riesgo de incendio o descarga eléctrica.
6. No introduzca objetos de ningún tipo en el producto a través de las ranuras, ya que pueden hacer contacto con puntos de alto voltaje o provocar un cortocircuito que ocasione fuego o una descarga eléctrica. No derrame líquidos de ningún tipo sobre el producto.
7. No intente realizar tareas de mantenimiento por su cuenta, ya que abrir o remover la cubierta puede exponerlo a un voltaje peligroso y a otros riesgos. Deje toda tarea de mantenimiento en manos de un técnico de servicio calificado.
8. Los cambios o las modificaciones que no tengan la aprobación expresa de la parte responsable del cumplimiento pueden anular el permiso del usuario para utilizar el equipo.
9. No utilice accesorios que no son recomendados por los fabricantes del producto porque pueden ser peligrosos.
10. Cualquier combinación de carro y producto debe moverse con cuidado. Las paradas súbitas, el uso de fuerza excesiva y las superficies irregulares pueden causar que el producto y el carro se vuelquen.
11. Las ranuras de ventilación y las aberturas del gabinete sirven para ventilar y asegurar el correcto funcionamiento del producto y evitar el recalentamiento. No bloquee ni cubra estas aberturas.
12. Desconecte el producto durante las tormentas eléctricas o cuando no se utilice durante largos períodos de tiempo.

## Artículos en este empaque

---

Antes de deshacerse de cualquier material del empaque, revíselo con atención y asegúrese de encontrar los siguientes artículos que se incluyen en este paquete:

- Tocabiscos
- Tapa de tocadiscos
- Bandeja del tocadiscos
- Cobertor deslizante del tocadiscos
- Adaptador de 45 rpm
- Transformador

Comuníquese con el Servicio al Cliente de Crosley en caso de que faltara algún accesorio en el empaque. **Conserve el material de embalaje original para realizar cambios o devoluciones.**

## Especificaciones

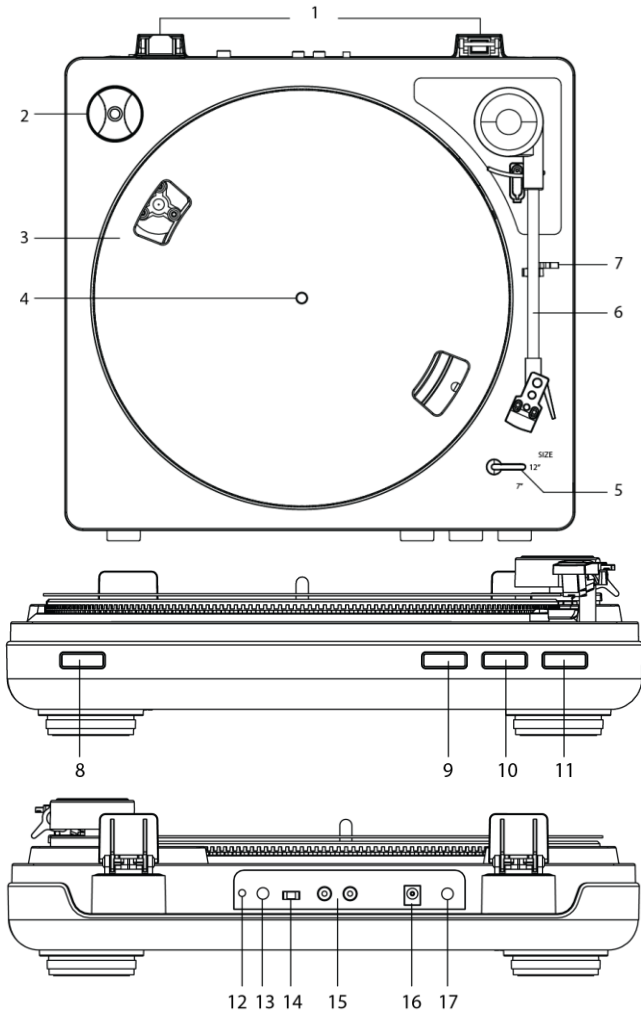
---

Fuente de energía	Transformador de CA, salida de CC de 12 V 200mA
Consumo de energía	2 W
Velocidad del tocadiscos	33 <sup>1</sup> / <sub>3</sub> , 45 RPM
Aguja de repuesto	Crosley NP5

Nota:

- *El diseño y las especificaciones están sujetos a cambios sin previo aviso.*
- **Con el fin de ahorrar en el consumo de energía, algunos modelos cumplirán con el estándar de ahorro de energía ERP (productos relacionados con la energía). En el caso de que no se produzca la entrada de audio durante 20 minutos, estos equipos se desactivarán automáticamente. Para volver a encenderlos y reanudar la reproducción, deberá apagar la unidad primero y luego volver a encenderla.**

## Descripción del producto



- |                           |                                 |
|---------------------------|---------------------------------|
| 1. Bisagras               | 10. Botón de parar              |
| 2. Adaptador de 45 rpm    | 11. Botón de elevación          |
| 3. Bandeja del tocadiscos | 12. Indicador de Bluetooth      |
| 4. Eje del tocadiscos     | 13. Botón Bluetooth             |
| 5. Selector de tamaño     | 14. Interruptor para Fono/Línea |
| 6. Brazo del tocadiscos   | 15. Conectores RCA              |
| 7. Broche de sujeción     | 16. Conector de alimentación    |
| 8. Selector de velocidad  | 17. Botón de encendido/apagado  |
| 9. Botón de Inicio        |                                 |

## Instalación inicial

---

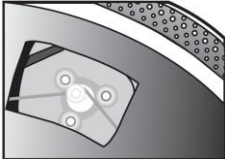
### Instalación indispensable

1. Coloque la unidad en una superficie plana y nivelada. El lugar seleccionado debe ser estable y estar libre de vibraciones.
2. Instale la tapa del tocadiscos en las bisagras.
3. Quite la banda de sujeción que sostiene el brazo del tocadiscos.
4. Instale la bandeja del tocadiscos y la correa de transmisión según corresponda.
5. Coloque el cobertor deslizante sobre la bandeja del tocadiscos.
6. Conecte el adaptador de CA al conector de alimentación de la unidad.

*Nota: No enchufe el transformador de CA a un tomacorriente hasta terminar de ensamblar las partes. Antes de encender el equipo, vuelva a asegurarse de que todos los ajustes de conexión estén correctos. Siempre apague la unidad al conectarla o desconectarla.*

### Instalación de la bandeja y la correa del tocadiscos

1. Instale la correa de transmisión en el anillo interior debajo de la bandeja y asegúrese de que no se salga durante la instalación.
2. Coloque la bandeja a través del eje del tocadiscos y luego gírela hasta que observe la polea de motor de accionamiento a través de la ventana que se encuentra en la esquina superior derecha.
3. Tome con cuidado la correa de transmisión y colóquela alrededor de la ranura de la polea de motor.



## Conexión del sistema estéreo

---

### Conectores RCA

- Los conectores RCA generan señales analógicas de nivel de línea y se pueden conectar directamente con un par de parlantes activos o en la entrada correspondiente de su sistema estéreo.
- El cable rojo se conecta en el canal derecho, y el cable blanco se conecta en el canal izquierdo.

*Nota: Los conectores RCA no están diseñados para conectarse directamente a parlantes pasivos. Si se los conecta a parlantes pasivos, el nivel de volumen será muy bajo.*

## Funcionamiento del tocadiscos

---

### Operación automática

1. Para encender la unidad, presione el botón de encendido/apagado.
2. Configure el Selector de tamaño con el tamaño de disco correspondiente.
3. Configure el Interruptor de velocidad según corresponda.
4. Coloque el disco en el tocadiscos. De ser necesario, utilice el Adaptador de 45 rpm.
5. Quite el protector de la aguja fonográfica de su ensamblaje.  
*Nota: Para evitar los daños de la aguja fonográfica, asegúrese de que el protector esté ubicado correctamente cada vez que mueva o limpie el tocadiscos.*
6. Suelte el Broche de sujeción del tocadiscos.  
*Nota: Cuando el tocadiscos no se utilice, recuerde volver a trabar el broche de sujeción.*
7. Presione suavemente el botón de INICIO. El tocadiscos arrancará y el brazo automáticamente se moverá al disco. Cuando el disco haya terminado, el brazo del tocadiscos volverá automáticamente al soporte del brazo y el tocadiscos se apagará.
8. Para detener la reproducción del disco antes de que llegue al final, presione el botón de DETENCIÓN. El brazo del tocadiscos se elevará y regresará al soporte del brazo, y el tocadiscos se apagará.
9. Para pausar el disco antes de que haya terminado, presione el botón de Elevación del brazo del tocadiscos. Vuelva a presionar el botón de elevación para continuar reproduciendo el disco.
10. Una vez que haya terminado de reproducirse, trabe el Broche de sujeción para asegurar el brazo del tocadiscos.

### Operación manual

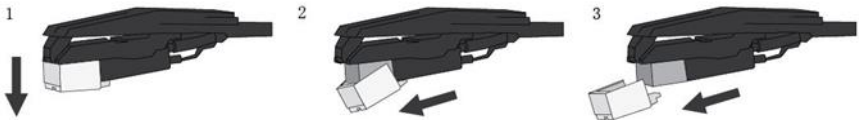
1. Para encender la unidad, presione el botón de encendido/apagado.
2. Configure el Selector de tamaño con el tamaño de disco correspondiente.
3. Configure el Interruptor de velocidad según corresponda.
4. Coloque el disco en el tocadiscos. De ser necesario, utilice el Adaptador de 45 rpm.
5. Quite el protector de la aguja fonográfica de su ensamblaje.  
*Nota: Para evitar los daños de la aguja fonográfica, asegúrese de que el protector esté ubicado correctamente cada vez que mueva o limpie el tocadiscos.*
6. Suelte el Broche de sujeción del tocadiscos.  
*Nota: Cuando el tocadiscos no se utilice, recuerde volver a trabar el broche de sujeción.*
7. Presione el botón de Elevación para elevar el brazo del tocadiscos.
8. Mueva suavemente el brazo del tocadiscos hacia la parte que desea comenzar a reproducir.
9. Vuelva a presionar el botón de Elevación para bajar suavemente el brazo del tocadiscos y reproducir el disco.
10. Una vez que haya terminado de reproducirse, trabe el Broche de sujeción para asegurar el brazo del tocadiscos.

*Precaución: Cuando el brazo del tocadiscos llegue al final del disco, se elevará y volverá automáticamente al soporte de brazo del tocadiscos. Cuando esto suceda, no interfiera con el movimiento de este, ya que podría dañar el mecanismo.*

## Reemplazo de la aguja

### Quitar la aguja

1. Tire del borde delantero de la aguja con suavidad.
2. Tire la aguja hacia adelante.
3. Tire hacia fuera y quítela.



### Instalar la aguja

1. Coloque la aguja de manera tal que la punta quede hacia abajo.
2. Alinee la parte trasera de la aguja con la cápsula.
3. Introduzca la aguja con el extremo delantero en un ángulo descendente y suavemente levante la parte delantera de la aguja hacia arriba hasta que se trabe en su lugar.





## Funcionamiento de la reproducción a través de Bluetooth

---

1. Encienda el modo Bluetooth en el altavoz Bluetooth y prepárelo para emparejar. Lea el manual de usuario del altavoz para ver instrucciones detalladas, de ser necesario.
2. Presione el botón Bluetooth que se encuentra en la parte trasera de la unidad. El indicador de Bluetooth empezará a parpadear rápidamente. Si el altavoz fue registrado anteriormente, el tocadiscos se conectará automáticamente al altavoz en esta fase.
3. Una vez que el tocadiscos y el altavoz estén emparejados, el **indicador de Bluetooth** quedará encendido.
4. Ponga el disco y disfrute de la música.
5. Para apagar la función de transmisión del Bluetooth, presione el **botón Bluetooth**.

*Nota:*

1. Cuando la unidad no esté conectada a un altavoz Bluetooth, la luz del indicador de Bluetooth parpadeará lentamente.

## Mantenimiento del tocadiscos

---

1. No toque la punta de la aguja fonográfica con los dedos. Evite golpear la aguja fonográfica con el cobertor para el tocadiscos o con el borde del disco.
2. Limpie la aguja fonográfica con frecuencia con un cepillo suave mediante movimientos de atrás hacia adelante.
3. Limpie los discos para quitarles el polvo o la grasa con un cepillo para limpiar discos y con una solución de limpieza para discos.
4. Limpie la tapa del tocadiscos y el gabinete con un paño de microfibras ligeramente humedecido.

*Nota: No utilice otros limpiadores que contengan alcohol, benceno o cualquier otro químico agresivo que pueda dañar la pintura y la terminación del tocadiscos.*

**\*\* Crosley ofrece una línea de productos de distintos accesorios de limpieza. Para obtener más información acerca de los productos de limpieza, consulte a un comerciante o visite nuestro sitio web [www.crosleyradio.com](http://www.crosleyradio.com).**

## Solución de problemas

---

### La unidad no enciende.

- El transformador no está conectado correctamente.
- No hay energía en el tomacorriente.
- Con el fin de ahorrar en el consumo de energía, algunos modelos cumplirán con el estándar de ahorro de energía ERP (productos relacionados con la energía). En el caso de que no se produzca la entrada de audio durante 20 minutos, estos equipos se desactivarán automáticamente. Para volver a encender la unidad y reanudar la reproducción, apáguela y vuelva a encenderla.

### El equipo está encendido pero la bandeja no gira.

- El modo tocadiscos no está seleccionado.
- Se ha salido la correa de transmisión del tocadiscos.

### El tocadiscos gira pero no emite sonidos o los sonidos no son lo suficientemente fuertes.

- El protector de la aguja fonográfica aún está colocado.
- Los auriculares están conectados.

## Declaraciones de la FCC

---

Precaución de la Comisión Federal de Comunicaciones (Federal Communications Commission, FCC):

1. Este dispositivo cumple con la sección 15 de las reglas de la FCC/los estándares RSS exentos de licencia de la industria de Canadá. El uso de este equipo está sujeto a las dos condiciones siguientes:
  - (1) Este dispositivo no causa interferencia perjudicial; y
  - (2) Este dispositivo debe aceptar cualquier interferencia recibida, incluso interferencia que pueda causar un funcionamiento no deseado.
2. Este dispositivo y sus antenas no deben ubicarse en el mismo sitio u operar en conjunto con cualquier otra antena o transmisor.
3. Los cambios o modificaciones que no tengan la aprobación expresa de la parte responsable del cumplimiento pueden anular el permiso del usuario para utilizar el equipo.

Nota:

Se verificó y se comprobó que este equipo cumple con los límites para un dispositivo digital clase B, conforme a la sección 15 de las reglas de la FCC. Estos límites están diseñados para brindar una protección razonable frente a interferencia perjudicial en un establecimiento residencial. Este equipo genera, usa y puede irradiar energía de radiofrecuencia y, si no se instala y utiliza siguiendo las instrucciones, puede causar interferencia perjudicial a las radiocomunicaciones. Sin embargo, no existe garantía de que la interferencia no ocurrirá en una instalación en particular. Si este equipo causa interferencia perjudicial a las radiocomunicaciones o a la recepción televisiva, lo que se puede determinar al encender y apagar el equipo, se recomienda que el usuario intente corregir la interferencia mediante una o más de las siguientes medidas:

- Orientar o reubicar la antena de recepción.
- Aumentar la separación entre el equipo y el receptor.
- Conectar el equipo a una salida en un circuito diferente del circuito en el que está conectado el receptor.
- Consultar al proveedor o a un técnico con experiencia en radio/TV para obtener ayuda.

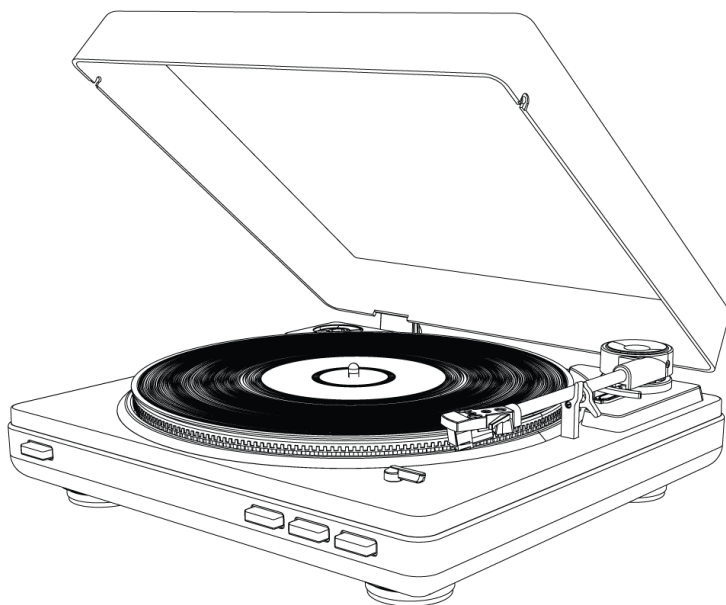


**T400D**

**Tourne-disque T400**

**Manuel d'utilisation**

---



Des questions, problèmes, pièces manquantes?  
Avant de retourner au magasin, appelez le service à la clientèle  
De 8 h à 18 h, HNE, du lundi au vendredi  
1-888-CROSLY  
[www.crosleyradio.com](http://www.crosleyradio.com)

## Instructions de sécurité

---

Lire et comprendre l'intégralité de ce manuel avant d'utiliser ce produit.  
Conserver ces instructions pour pouvoir les consulter ultérieurement.

1. Ne pas utiliser ce produit près de l'eau.
2. Ce produit doit être alimenté uniquement par le type de source d'alimentation indiqué sur l'étiquette ou dans le présent manuel d'utilisation.
3. Ne pas tenter de modifier le dispositif de sécurité que constitue la fiche polarisée. Une fiche polarisée à deux lames, l'une étant plus large que l'autre. Cette fiche peut être insérée dans une prise électrique d'une seule façon. S'il est impossible d'insérer la fiche complètement dans la prise, inverser la fiche. Si la fiche ne peut toujours pas s'insérer entièrement, contacter un électricien.
4. Faire en sorte que personne ne marche sur le cordon d'alimentation ou que ce dernier ne soit pas pincé, notamment au niveau des fiches, des prises murales et du point de sortie du produit.
5. Ne pas surcharger les prises murales, cordons de rallonge ou prises de courant intégrales, car cela pourrait entraîner un risque d'incendie ou de décharge électrique.
6. Ne jamais pousser d'objets, quelle que soit leur nature, dans les ouvertures, car ils pourraient toucher des points de tension dangereux ou court-circuiter des pièces, ce qui pourrait entraîner un incendie ou une décharge électrique. Ne jamais renverser de liquide, quelle qu'en soit la nature, sur le produit.
7. Ne pas tenter de réparer ce produit vous-même, car ouvrir ou retirer des couvercles pourrait vous exposer à une tension dangereuse ou à d'autres dangers. Faire appel à une personne qualifiée pour toutes les réparations.
8. Les changements ou les modifications non approuvés expressément par la partie responsable de la conformité pourraient annuler le droit de l'utilisateur de faire fonctionner le matériel.
9. Ne pas utiliser d'accessoires non recommandés par le fabricant du produit, car ils pourraient causer des dommages.
10. Il est important de déplacer avec prudence le produit s'il se trouve sur un chariot. Les arrêts brusques, une force excessive et les surfaces inégales peuvent entraîner le retournement du produit sur un chariot.
11. Des fentes et ouvertures sont présentes dans le boîtier pour la ventilation, pour assurer un fonctionnement fiable du produit et pour le protéger d'une surchauffe. Ne pas bloquer ou couvrir ces ouvertures.
12. Débrancher le produit pendant un orage ou lorsqu'il est inutilisé pendant une période prolongée.

## Contenu de la trousse

---

Avant de jeter les emballages, veuillez les passer en revue minutieusement et vérifier que vous avez les éléments suivants fournis dans cette trousse :

- Tourne-disque
- Couvercle du tourne-disque
- Plateau du tourne-disque
- Tapis antidérapant du tourne-disque
- Adaptateur 45 tours
- Adaptateur d'alimentation

Veuillez contacter le service à la clientèle de Crosley s'il manque des accessoires dans la trousse. **Conserver les emballages d'origine pour procéder à un échange ou à un retour.**

## Caractéristiques

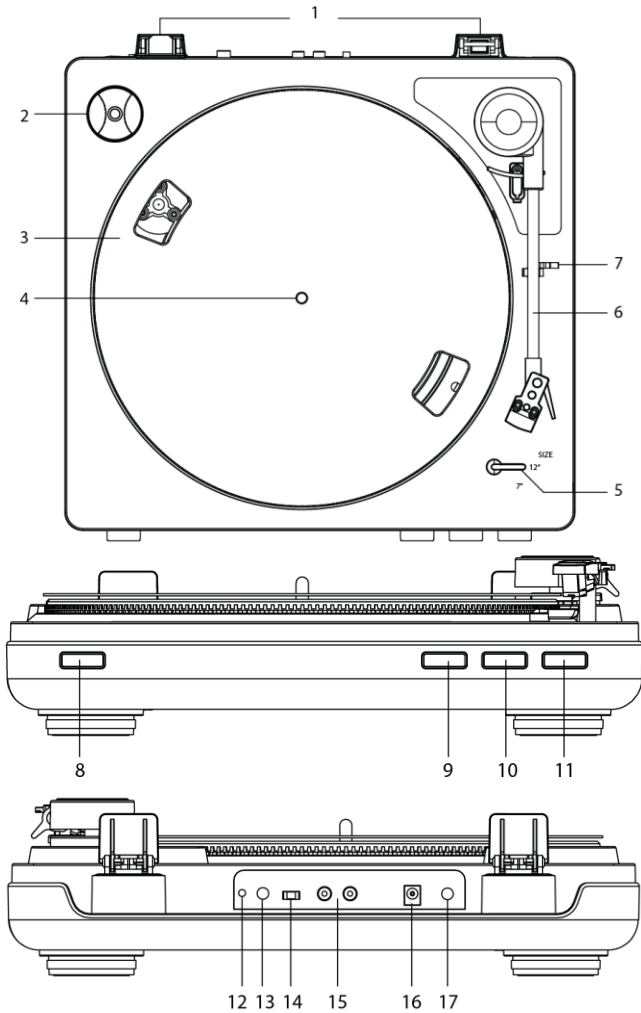
---

Puissance	Adaptateur c.a., sortie c.c. 12 V 200mA
Consommation électrique	2 W
Vitesse du tourne-disque	33 <sup>1</sup> / <sub>3</sub> , 45 tr/min
Aiguille de rechange	Crosley NP5

Remarque :

- *La conception et les caractéristiques peuvent faire l'objet de modifications sans préavis.*
- **Pour contribuer à économiser de l'énergie, certains modèles se conformeront à la norme d'économie d'énergie ERP (Energy-Related Products). En l'absence d'entrée audio pendant 20 minutes, l'alimentation se coupera automatiquement. Pour rétablir l'alimentation en courant et reprendre la lecture, vous devrez éteindre l'appareil puis le rallumer.**

## Description du produit



- |                             |                            |
|-----------------------------|----------------------------|
| 1. Charnières               | 10. Bouton Arrêt (Stop)    |
| 2. Adaptateur 45 tours      | 11. Bouton Soulever        |
| 3. Plateau du tourne-disque | 12. Voyant Bluetooth       |
| 4. Axe du tourne-disque     | 13. Bouton Bluetooth       |
| 5. Sélecteur de taille      | 14. Commutateur Phono/Line |
| 6. Bras de lecture          | 15. Prises RCA             |
| 7. Attache de retenue       | 16. Prise d'alimentation   |
| 8. Sélecteur de vitesse     | 17. Bouton Marche/Arrêt    |
| 9. Bouton démarrer (Start)  |                            |

## Configuration initiale

---

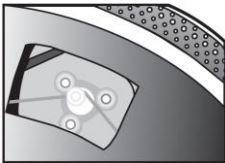
### Configuration de base

1. Placez l'appareil sur une surface plane. L'emplacement choisi doit être stable et sans vibration.
2. Installez le couvercle du tourne-disque sur les charnières.
3. Retirez l'attache qui retient le bras de lecture.
4. Installez comme il se doit le plateau du tourne-disque et la courroie d'entraînement
5. Placez le tapis antidérapant sur le plateau du tourne-disque.
6. Branchez l'adaptateur c.a. à la **prise d'alimentation** de l'appareil.

*Remarque : Ne branchez pas l'adaptateur c.a. à la prise avant la fin du montage. Avant d'allumer l'appareil, vérifiez à nouveau que tous les paramètres des branchements sont corrects. Mettez toujours l'appareil hors tension lorsque vous effectuez ou supprimez des branchements.*

### Configuration du plateau du tourne-disque et de la courroie

1. Installez la courroie d'entraînement sur la bague intérieure sous le plateau et vérifiez qu'elle ne tombe pas pendant la configuration.
2. Passez le plateau par la broche du tourne-disque, puis faites pivoter le plateau jusqu'à voir la poulie du moteur à entraînement par la fenêtre dans l'angle supérieur droit.
3. Attrapez soigneusement la courroie d'entraînement et positionnez-la autour de l'encoche de la poulie du moteur.



## Branchement du système stéréo

---

### Prises RCA

- Les prises RCA émettent des signaux de niveau de ligne analogique et peuvent être connectées directement avec une paire de haut-parleurs actifs/sous tension ou l'entrée appropriée de votre système stéréo.
- La prise rouge se branche sur le canal droit et la prise blanche se branche sur le canal gauche.

*Remarque : Les prises RCA ne sont pas conçues pour être branchées directement aux haut-parleurs passifs/qui ne sont pas sous tension. Si elles sont branchées aux haut-parleurs passifs, le niveau du volume sera très bas.*

---

## Utilisation du tourne-disque

---

### Fonctionnement automatisé

1. Appuyez sur le **bouton ON / OFF** (Marche/Arrêt) pour allumer l'appareil.
2. Réglez le **sélecteur de taille** sur la taille de disque appropriée.
3. Réglez le **bouton SPEED** (Vitesse) en conséquence.
4. Placez le disque sur le tourne-disque. Utilisez l'**adaptateur 45 tours** au besoin.
5. Retirez la protection du stylet de son assemblage.  
*Remarque : Pour éviter d'endommager le stylet, vérifiez que la protection intégrée du stylet est bien en place en déplaçant ou en nettoyant le tourne-disque.*
6. Relâchez l'**attache de retenue** du bras de lecture.  
*Remarque : Lorsque vous n'utilisez pas le tourne-disque, n'oubliez pas de verrouiller à nouveau l'attache de retenue.*
7. Appuyez légèrement sur le **bouton START** (Démarrer). Le tourne-disque démarrera et le bras de lecture basculera automatiquement sur le disque. Lorsque la lecture du disque est terminée, le bras de lecture retournera automatiquement sur son support et le tourne-disque s'éteindra.
8. Appuyez sur le bouton **STOP** (Arrêt) pour arrêter la lecture du disque avant la fin. Le bras de lecture se lèvera et retournera sur son support, et le tourne-disque s'éteindra.
9. Appuyez sur le bouton **Tone Arm Lift** (Soulever le bras de lecture) pour interrompre la lecture du disque avant la fin. Appuyez de nouveau sur ce bouton pour reprendre la lecture.
10. Lorsque la lecture est terminée, verrouillez l'**attache de retenue** pour retenir le bras de lecture.

### Fonctionnement manuel

1. Appuyez sur le **bouton ON / OFF** (Marche/Arrêt) pour allumer l'appareil.
2. Réglez le **sélecteur de taille** sur la taille de disque appropriée.
3. Réglez le **bouton SPEED** (Vitesse) en conséquence.
4. Placez le disque sur le tourne-disque. Utilisez l'**adaptateur 45 tours** au besoin.
5. Retirez la protection du stylet de son assemblage.  
*Remarque : Pour éviter d'endommager le stylet, vérifiez que la protection intégrée du stylet est bien en place en déplaçant ou en nettoyant le tourne-disque.*
6. Relâchez l'**attache de retenue** du bras de lecture.  
*Remarque : Lorsque vous n'utilisez pas le tourne-disque, n'oubliez pas de verrouiller à nouveau l'attache de retenue.*
7. Appuyez sur le bouton **Lift** (Soulever) pour soulever le bras de lecture.
8. Déplacez doucement le bras de lecture à l'endroit souhaité pour commencer la lecture.
9. Appuyez de nouveau sur ce bouton pour abaisser le bras de lecture en douceur et commencer la lecture du disque.
10. Lorsque la lecture est terminée, verrouillez l'**attache de retenue** pour retenir le bras de lecture.

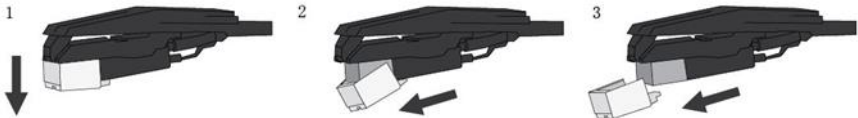


*Attention : Lorsque le bras de lecture atteint la fin du disque, il se soulève et retourne automatiquement sur son support. Lorsque cela se produit, n'interrompez jamais le déplacement du bras de lecture car ceci peut endommager le mécanisme.*

## Remplacement de l'aiguille

### Retrait de l'aiguille

1. Tirer doucement vers le bas le bord avant de l'aiguille.
2. Tirer l'aiguille vers l'avant.
3. Tirer pour l'enlever.



### Installation de l'aiguille

1. Positionner l'aiguille avec son extrémité vers le bas.
2. Aligner l'arrière de l'aiguille avec la cartouche.
3. Insérer l'aiguille avec son extrémité avant à un angle descendant et soulever doucement l'avant de l'aiguille vers le haut jusqu'à ce qu'il s'enclenche.



## Utilisation de la diffusion Bluetooth

1. Activer le mode Bluetooth du haut-parleur Bluetooth et le préparer au couplage. Au besoin, consulter le manuel de l'utilisateur du haut-parleur pour des instructions détaillées.
2. Appuyer sur le bouton Bluetooth à l'arrière de l'appareil. Le témoin Bluetooth commencera à clignoter rapidement. Si le haut-parleur a déjà été couplé, le tourne-disque se connectera automatiquement au haut-parleur pendant cette étape.
3. Dès que le tourne-disque et le haut-parleur sont couplés, le **témoin Bluetooth** restera allumé sans clignotement.
4. Jouer le disque et profiter de la musique.
5. Pour désactiver la fonction de diffusion Bluetooth, appuyer sur le **bouton Bluetooth**.

*Remarque :*

1. Si l'appareil n'est pas connecté à un haut-parleur Bluetooth, le témoin Bluetooth clignotera lentement.

## Entretien du tourne-disque

---

1. Ne pas toucher l'extrémité du stylet avec vos doigts. Éviter de cogner le stylet sur le tapis du tourne-disque ou le bord du disque.
2. Nettoyer souvent le stylet avec une brosse douce dans un mouvement d'arrière vers l'avant uniquement.
3. Nettoyer les disques pour retirer la poussière ou la graisse avec une brosse de nettoyage pour disque et une solution nettoyante pour disque.
4. Nettoyer le couvercle du tourne-disque et le boîtier du tourne-disque avec un chiffon microfibre légèrement humide.

*Remarque : Ne pas utiliser d'autre nettoyant contenant de l'alcool, du benzène ou tout autre produit chimique nocif qui pourrait endommager la peinture et la finition du tourne-disque.*

**\*\* Crosley propose toute une gamme d'accessoires de nettoyage.**

**Contactez votre détaillant ou consultez notre site Web**

**[www.crosleyradio.com](http://www.crosleyradio.com) pour obtenir plus d'informations sur les produits de nettoyage.**

## Dépannage

---

### **L'appareil ne s'allume pas**

- L'adaptateur d'alimentation n'est pas branché correctement.
- Aucune alimentation au niveau de la prise électrique.
- Pour contribuer à économiser de l'énergie, certains modèles se conformeront à la norme d'économie d'énergie ERP (Energy-Related Products). En l'absence d'entrée audio pendant 20 minutes, l'alimentation se coupera automatiquement. Pour rétablir l'alimentation en courant et reprendre la lecture, éteignez l'appareil puis rallumez-le.

### **L'appareil est allumé, mais le plateau ne tourne pas**

- Le mode tourne-disque n'est pas sélectionné.
- La courroie d'entraînement du tourne-disque a glissé.

### **Le tourne-disque tourne, mais il n'y a pas de son ou le son n'est pas suffisamment fort.**

- La protection du stylet n'a pas été enlevée.
- Le casque d'écoute est branché.

## Déclarations relatives à la FCC

---

Mise en garde FCC :

1. Cet appareil est en conformité avec la partie 15 des règles de la FCC / norme(s) CNR d'appareils radio exempts de licence d'Innovation, Sciences et Développement économique Canada. Son fonctionnement est assujéti aux deux conditions suivantes :
  - (1) Cet appareil ne peut pas causer des interférences nuisibles, et
  - (2) Cet appareil doit accepter toute interférence reçue, y compris celles susceptibles de causer un fonctionnement indésirable.
2. Cet appareil et son ou ses antennes ne doivent pas être colocalisés ou fonctionner conjointement avec d'autres antennes ou transmetteurs.
3. Les changements ou les modifications non approuvés expressément par la partie responsable de la conformité pourraient annuler le droit de l'utilisateur de faire fonctionner le matériel.

Remarque :

Ce matériel a été testé et jugé en conformité avec les limites pour un appareil numérique de Classe B, conformément à la partie 15 des règles de la FCC. Ces limites ont été établies pour offrir une protection raisonnable contre l'interférence nuisible dans une installation résidentielle. Cet appareil produit, utilise et peut émettre de l'énergie de fréquence radio et, s'il n'est pas installé et utilisé conformément aux instructions, il peut provoquer de l'interférence nuisible aux communications radio. Toutefois, il n'existe aucune garantie qu'il n'y aura pas d'interférence dans une installation particulière. Si ce matériel cause de l'interférence nuisible à la réception radio ou de télévision, qui peut être déterminée en allumant et en éteignant le matériel, il est conseillé à l'utilisateur de tenter de remédier à l'interférence par l'un ou plusieurs des moyens suivants :

- Réorienter ou déplacer l'antenne de réception.
- Augmenter la distance entre le matériel et le récepteur.
- Brancher le matériel à une prise sur un circuit différent de celui auquel le récepteur est branché.
- Consulter le détaillant ou un technicien de radio ou de télévision qualifié pour obtenir de l'aide.