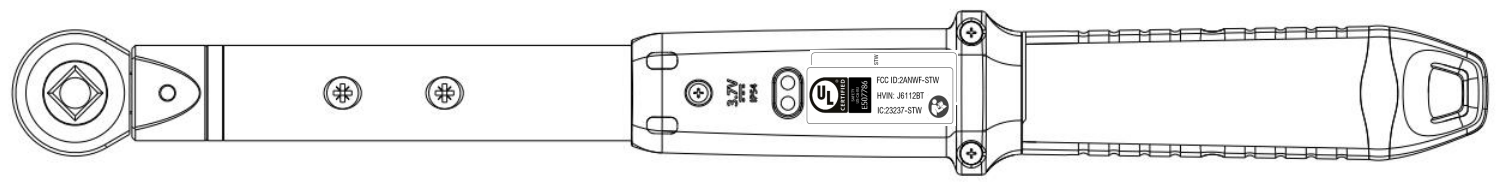
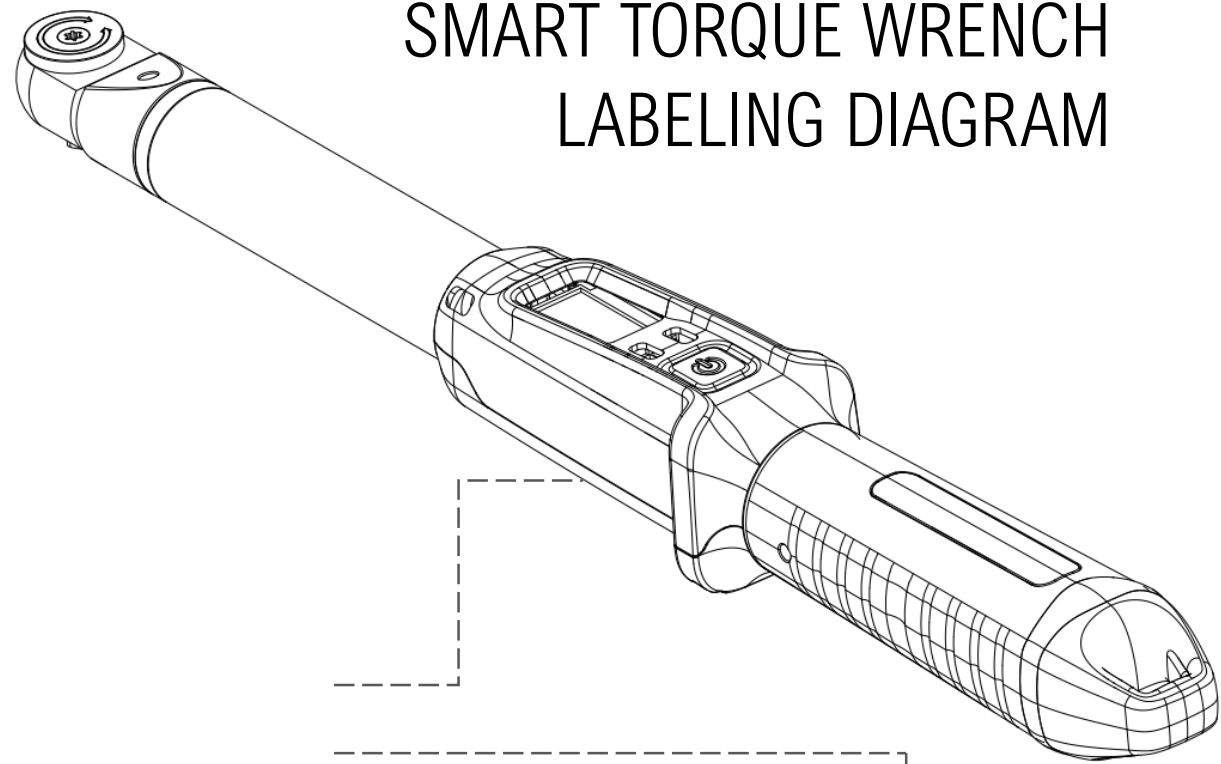




# SMART TORQUE WRENCH LABELING DIAGRAM

MOLDED BACK COVER



BOTTOM VIEW