

# WIFI Antenna Test Report



<b>Manufacturer information</b>	Shenzhen Feixun Lianke Electronics Co., Ltd
<b>Project</b>	C1 PRO 2.4G antenna
<b>Antenna type</b>	monopole antenna
<b>Product Description</b>	The FPC board is FX-004, with a wire diameter of 1.13 and a bus length of 100mm, black. The client uses 1st generation terminals, and the solder board ends are all 1:1.5:2
<b>Product No</b>	FXLK-FX004-IX1-100-2.4G
<b>Antenna frequency band</b>	2400MHz-2500MHz

December 19, 2023

## ***Purpose***

**This report is to measure the performance of antenna for All test date are showed as below.**

## ***Content***

### **1: Product Overview**

#### **1.1 Antenna schematic diagram**

#### **1.2 Antenna size diagram**

### **2: Test Result**

#### **2.1 VSWR**

#### **2.2 RETRUN LOSS**

#### **2.3 *Smith Chart***

#### **2.4 GAIN & Efficiency**

#### **2.5 *2D & 3D Directional pattern***

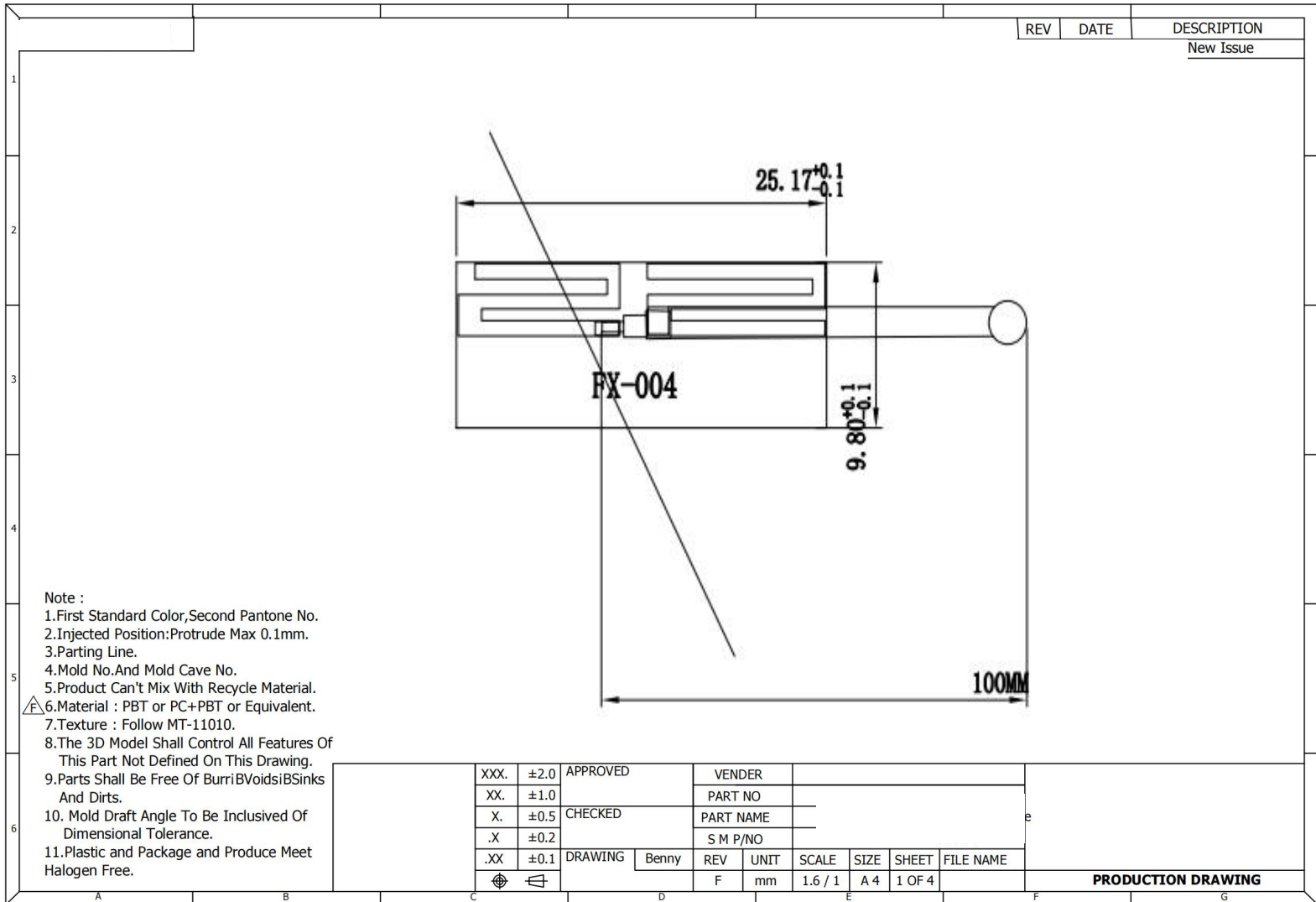
# 1. Product Overview

## 1.1 Antenna schematic diagram



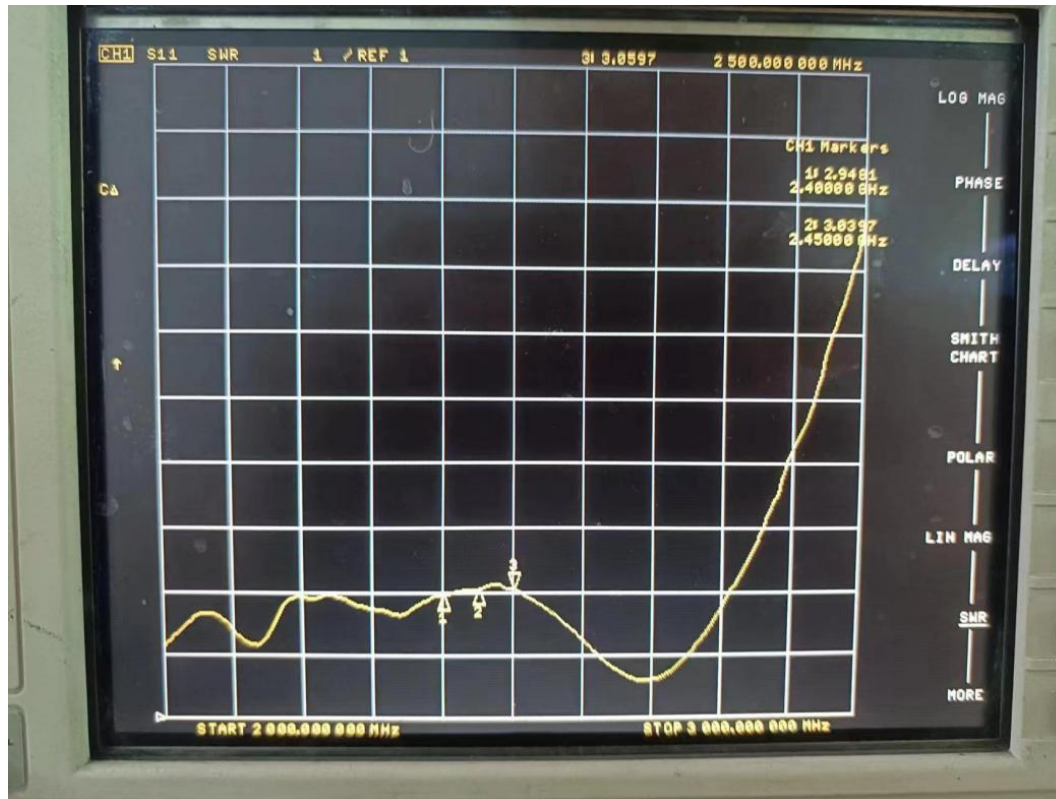
## 1. Product Overview

### 1.2 Antenna size diagram



## 2. Test Result

### 2.1 2.4G antenna VSWR

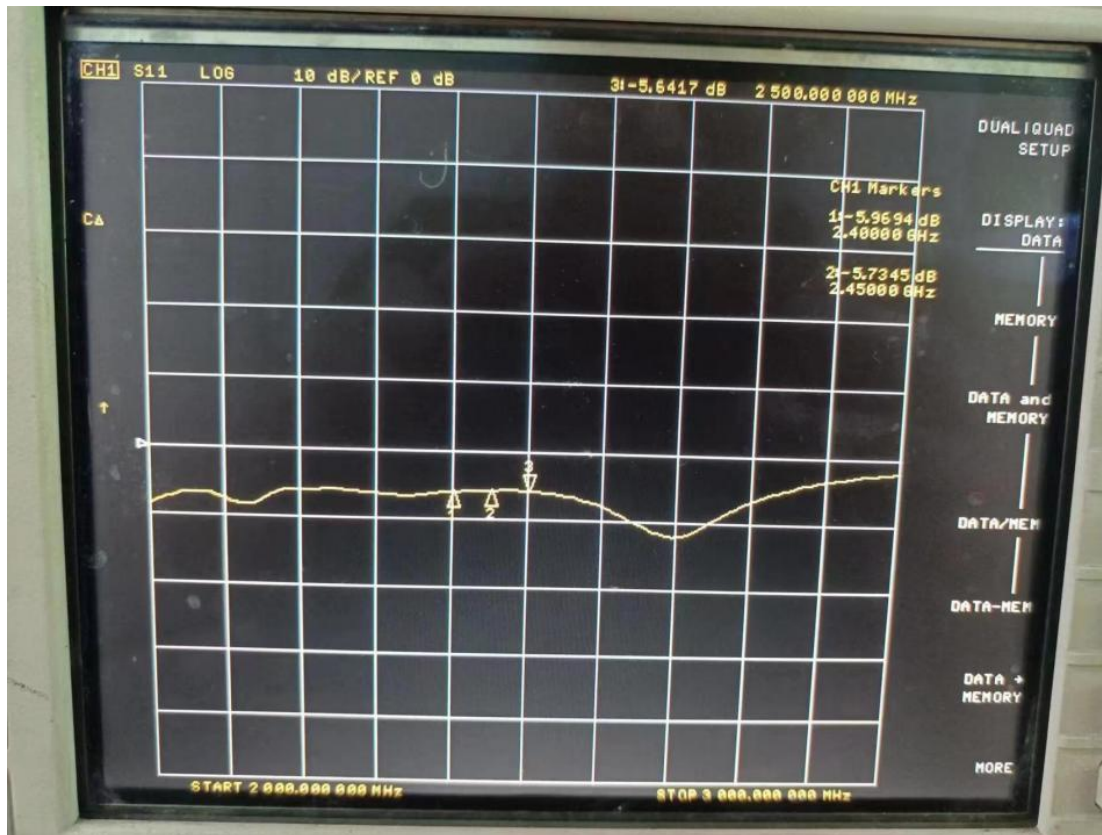


Frequency (MHz)	2400	2450	2500
VSWR	2.94	3.03	3.05



## 2. Test Result

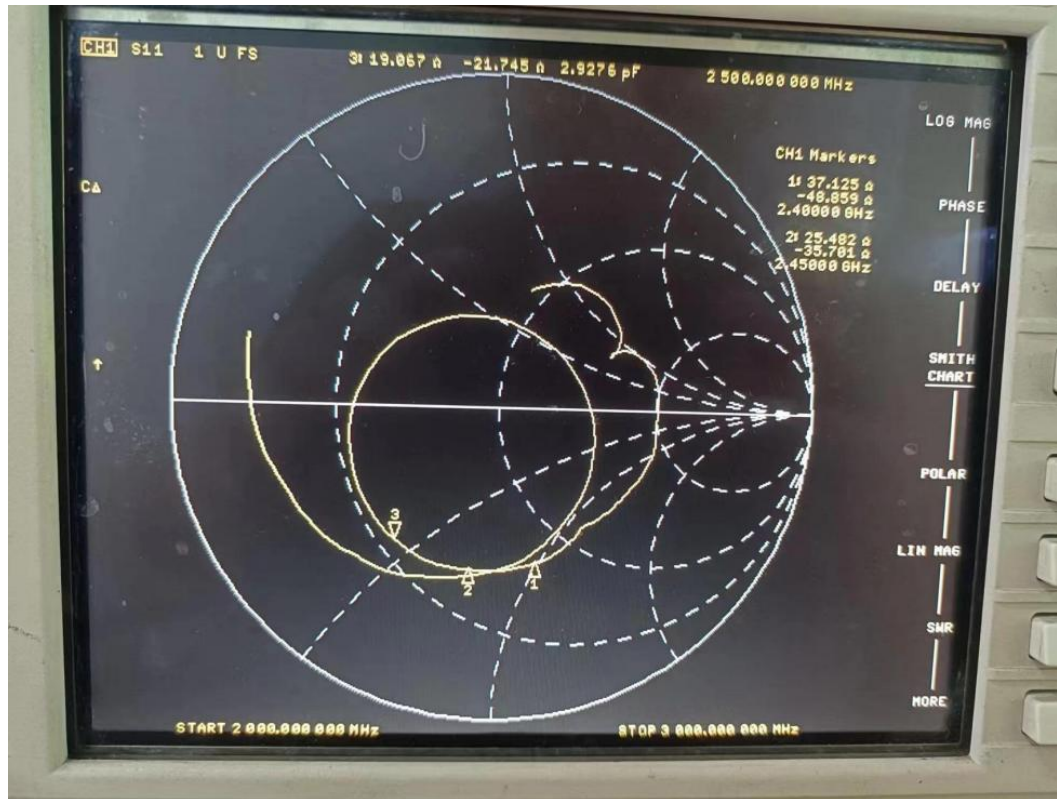
### 2.2 2.4G antenna RETRUN LOSS



Frequency (MHz)	2400	2450	2500
RETRUN LOSS (DB)	-5.96	-5.73	-5.64

## 2. Test Result

### 2.3 2.4G antenna Smith Chart



Frequency (MHz)	2400	2450	2500
	37.12	25.40	19.06

## 2. Test Result

### 2.4 2.4G antenna GAIN & Efficiency

Freq (MHz)	Effi (%)	Gain (dBi)
2400	50.81	0.76
2410	54.49	1.07
2420	49.09	0.58
2430	49.66	0.55
2440	54.52	0.91
2450	59.94	1.09
2460	54.4	0.83
2470	53.75	0.89
2480	61.46	1.21
2490	60.92	1.25
2500	56.56	1.17



## 2. Test Result

### 2.5 2.4G antenna 2D & 3D Directional pattern

