

WIFI Antenna Test Report



Manufacturer information	Shenzhen Feixun Lianke Electronics Co., Ltd
Project	C188 2.4G antenna
Antenna type	monopole antenna
Product Description	Screen printed SKY GND KEEPOUT+black 1.13 wire feeder leakage L: 100MM+terminals (total length of wire 175MM)
Product No	ASJ180 V03
Antenna frequency band	2400MHz-2500MHz

Purpose

This report is to measure the performance of antenna for All test date are showed as below.

Content

1: Product Overview

1.1 Antenna schematic diagram

1.2 Dimensional drawing of antenna shell material

2: Test Result

2.1 RETRUN LOSS

2.2 *Smith Chart*

2.3 GAIN & Efficiency

2.4 *2D&3D Directional pattern*

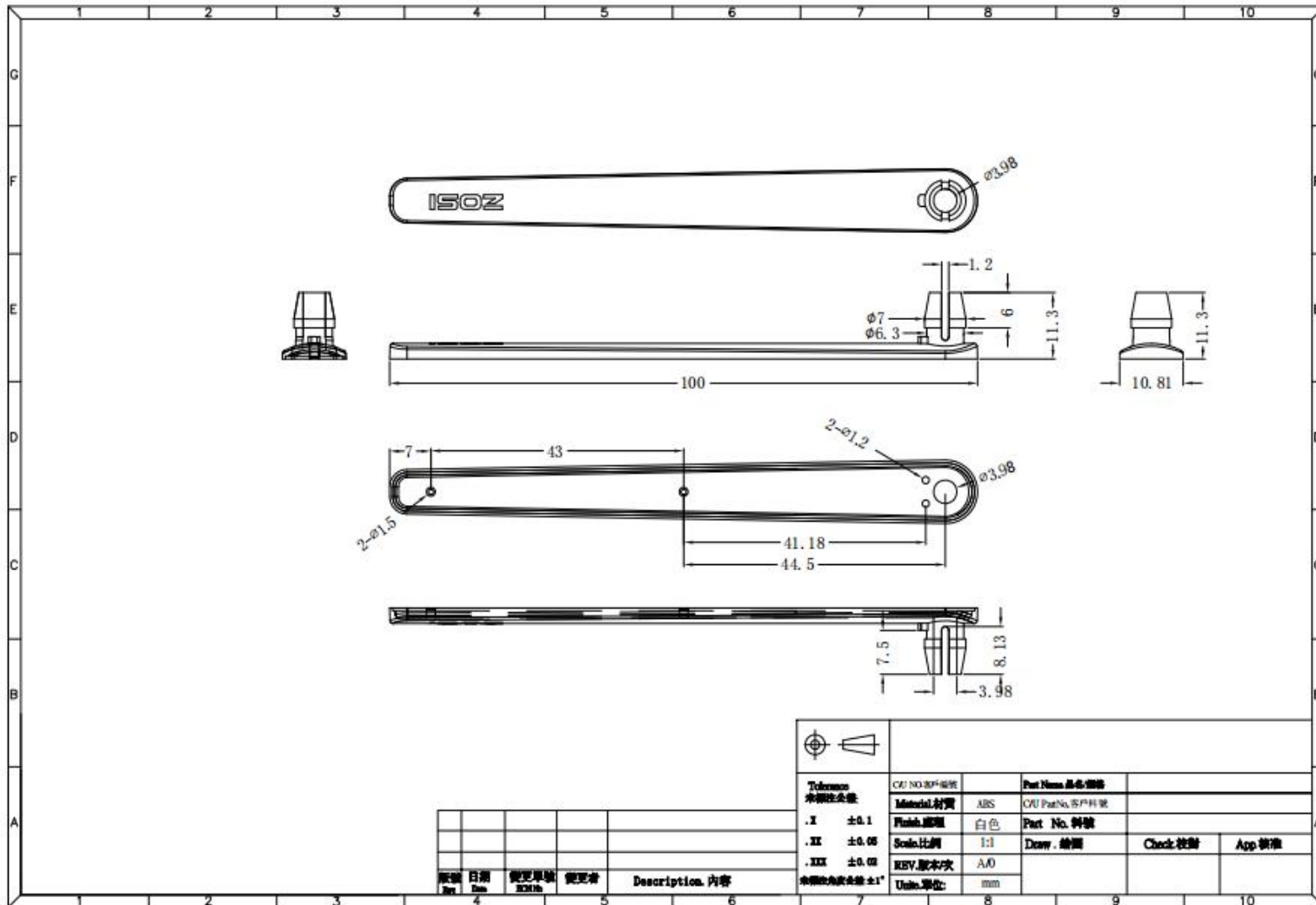
1. Product Overview

1.1 Antenna schematic diagram



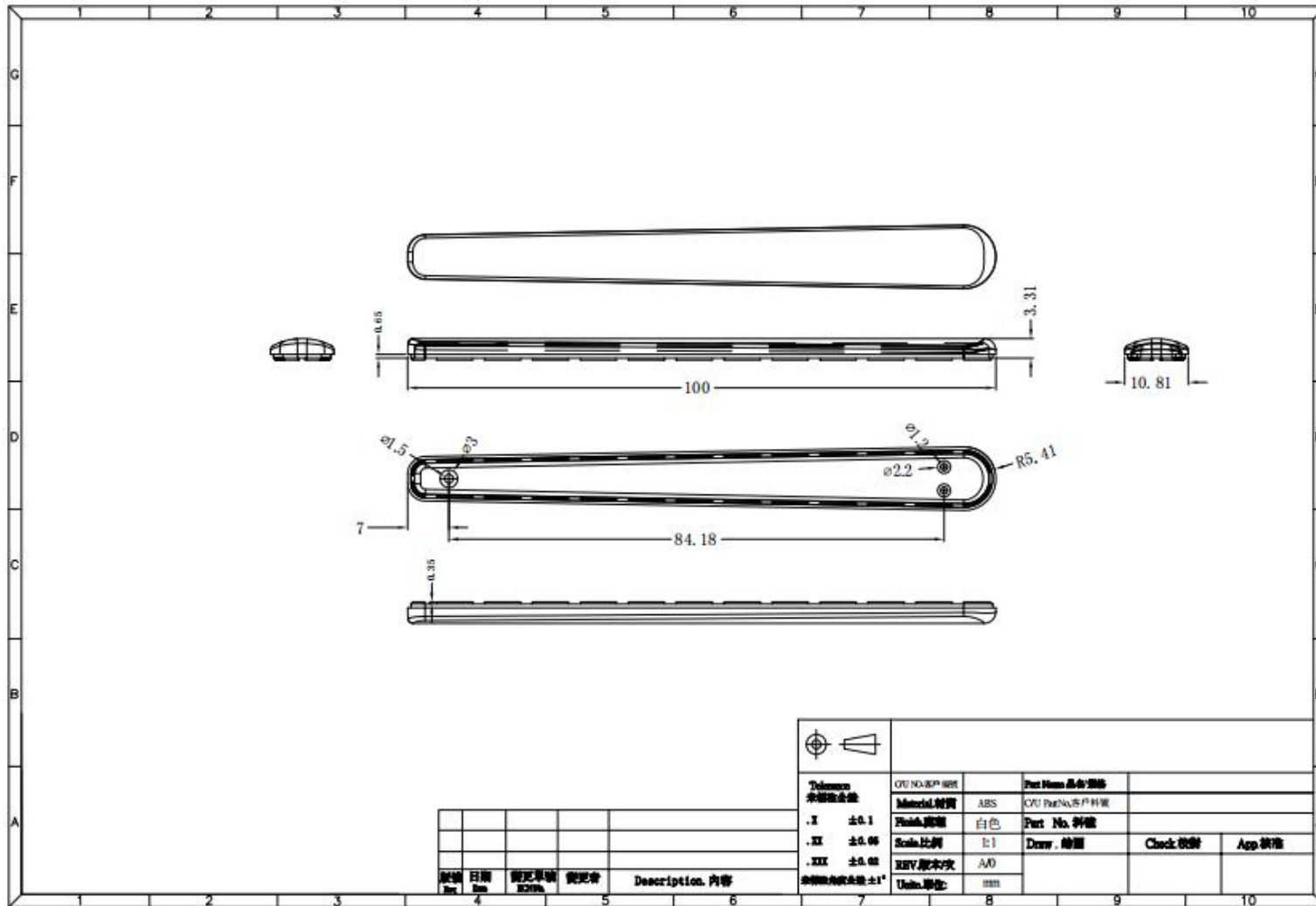
1. Product Overview

1.2 Dimensional drawing of antenna shell material



1. Product Overview

1.2 Dimensional drawing of antenna shell material



2. Test Result

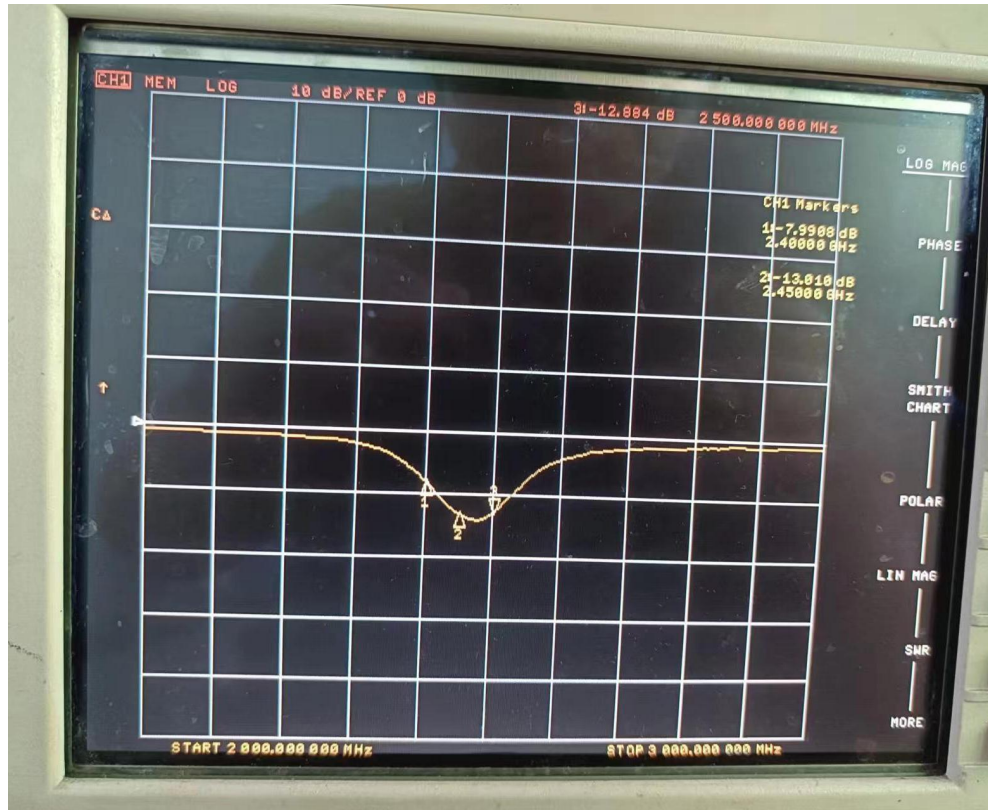
2.1 2.4G antenna VSWR



Frequency (MHz)	2400	2450	2500
VSWR	2.32	1.57	1.58

2. Test Result

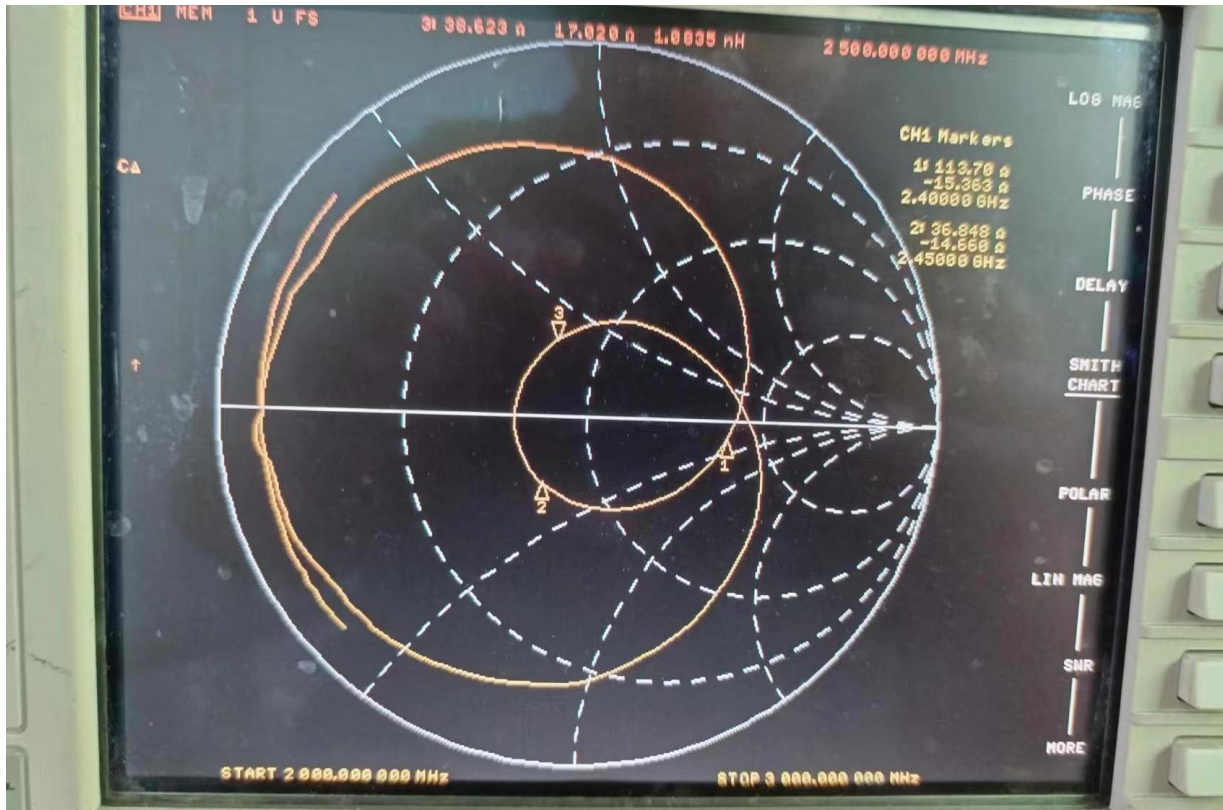
2.1 2.4G antenna RETRUN LOSS



Frequency (MHz)	2400	2450	2500
RETRUN LOSS (DB)	-7.99	-13.01	-12.88

2. Test Result

2.2 2.4G antenna Smith Chart



Frequency (MHz)	2400	2450	2500
	113.70	36.84	38.62

2. Test Result

2.3 2.4G antenna GAIN & Efficiency

Freq (MHz)	Effi (%)	Gain (dBi)
2400	46.26	1.62
2410	46.61	2.29
2420	47.28	2.26
2430	48.22	2.81
2440	53.19	3.29
2450	52.44	3.24
2460	51.11	3.15
2470	47.02	2.69
2480	45.41	2.24
2490	44.8	1.52
2500	44.27	1.15

2. Test Result

2.4 2.4G antenna 2D&3D Directional pattern

