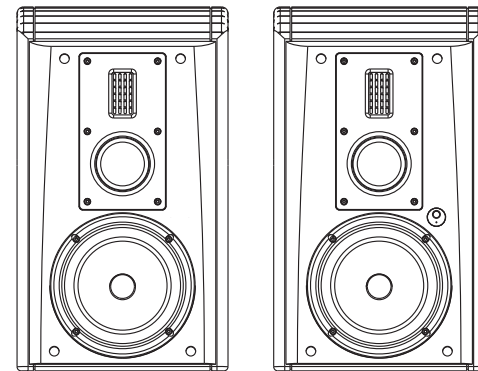




HiVi M3A  
High Fidelity Active Speaker Manual



---

Due to the reasons in the change of design or others, product information contained here may not be in conformity with product itself. We reserve the right of no prior notice before change.

---

HiVi USA HiVi Acoustics, Inc.  
11630 Goldring Road, Arcadia, CA 91006, USA  
Tel:+1 626 930 0606 Fax:+1 626 930 0609 <https://swanspeakers.com>

## Warning

### IMPORTANT SAFETY INSTRUCTIONS

#### WARNING

To reduce the risk of fire or electric shock, do not expose this apparatus to rain or moisture.



The lightning flash is intended to alert you to the presence of uninsulated "dangerous voltage" within the product's enclosure that may be of sufficient magnitude to constitute an electric shock to persons.



The exclamation point is intended to alert you to the presence of important operating and maintenance (servicing) instructions in the literature accompanying the appliance.

Before connecting or using this apparatus, do read carefully all safety warning and instructions. Please keep this instruction for future reference.

This device should be installed or set up in a position that ventilation can be assured.

Never put the device in a place that air flow over the ventilation openings might be hindered, such as in a bookshelf or a drawer.

This product should be operated only from the type of power source indicated on the back panel of the device. The power cord of this product should be restored in a place that is less possibly be walked on or get pierced, especially its plug, convenience receptacles and the point where power cord exit from the apparatus.

Before cleaning this product, make sure the plug is disconnected from the outlet. Proceed with the cleaning in the way that this instruction recommends only.

When this product is not in use for a long time, make sure to unplug the power cord from the AC outlet.

If below problem happens, send this product to a qualified service personnel for repairing.

- A. Power cord or power plug is damaged.
- B. Objects have fallen or liquid has been spilled into this product.
- C. This product is exposed to rain or other liquid.
- D. This product functions abnormally or very poorly.
- E. This product has been dropped or has a damaged enclosure.

Never to attempt to repair this product by yourself. Refer all servicing to a qualified servicing personnel.

#### CAUTION

To reduce the risk of electric shock, the power plug must be completely inserted into an AC outlet.

This product does not contain any parts or components that can be repaired by users themselves. Do not open the enclosure, otherwise it may result in an electric shock. Refer all servicing to a qualified servicing personnel.

When you unplug this product from AC outlet, do hold the power plug and pull.

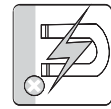
Do not pull the power cord. Do not overload AC outlets or the extension cord, as this can lead to risk of fire or electric shock.

## Break-in

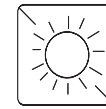
Break-in is the procedure which can enable the speakers to perform best acoustically. A period ranging from 48-100 hours of usage is recommended before both the amplifier and speaker drivers behave optimally.

Alternatively, you can listen 2 or 3 hours every day at a medium volume, and the speakers will be broken-in one month or so.

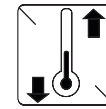
## Maintenance



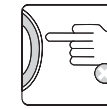
a)



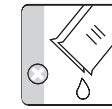
b)



c)



d)



e)

- a) Avoid magnetic disturbance.
- b) Do not place under the sunshine for a long time.
- c) Do not place in high temperature or moist environment for a long time.
- d) Do not touch the drivers with your hands.
- e) Avoid corrosive liquids and gases.

## Trouble Shooting

1. If there is problem with sound quality.

- a) Check if all the drivers are working.
- b) Check that audio cables are firmly connected at both ends.

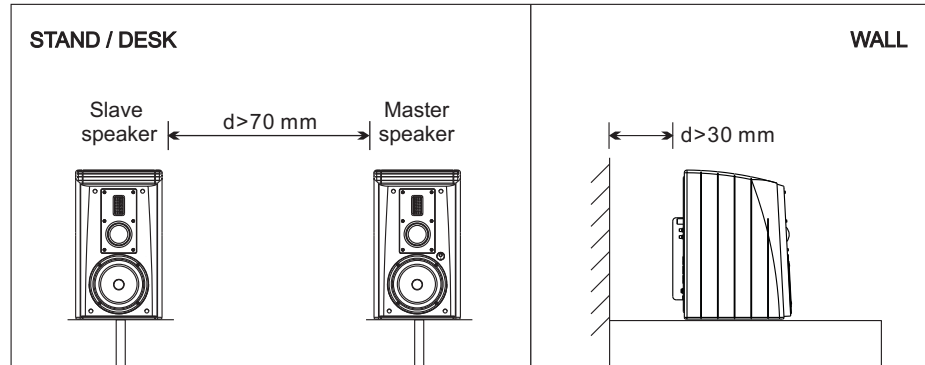
2. If there is no sound from either of the speakers:

- a) Check if the device is on and if a source is playing.
- b) Check if the volume is not on minimum.
- c) Check if there is broken or short circuit with the cable connecting speakers and audio source.

3. If there is no sound coming from one of the speakers:

- a) Check if the source is set correctly.
- b) Check if there is loose connection of the audio signal cable.
- c) Check if the speaker connecting cables are fully inserted.

## Speaker Placement



## Specifications

Model	HiVi M3A
System Type	3-way 4th-order vented speaker system
Drivers Configuration	6.5" woofer / 2" midrange driver / isodynamic ribbon tweeter
Frequency Range	44Hz - 20kHz $\pm 3$ dB (Free Space)
Harmonic Distortion	90Hz - 20kHz $\leq 1\%$ (85dB/1m)
Wireless Input	WiFi, Bluetooth 4.0
Rated Power	RMS 120Wx2
Signal-to-Noise	>91dB (Unweighted)
Input Sensitivity	400mV
Input Impedance	22k $\Omega$
Maximum Input	3000mV
Finish	Solid wood cabinet
Dimensions(WXDXH)	10.16"×14.37"×17.52"
Net Weight (each)	37.04 lbs

## Warning

When repairing or replacement of parts is required, make sure the service technician has used the parts/components specified by the manufacturer or parts/components that have the same characteristics as the original parts/components. Unauthorized substitutions may result in risk of fire, electric shock or other hazards.

### POWER SOURCE

Before connecting this product with AC outlet, do check and make sure the electric supply voltage is as same as it is marked on the rear panel of this product.

**WARNING: It's very dangerous to insert a power plug that has bare wire into an AC outlet.**

### DECLARATION

**This product does not contain any parts or components that can be repaired by users themselves. If there is any malfunction, refer to this instruction or ask for repair by a qualified service technician. Do not try to repair by yourself, otherwise the manufacturer will not be responsible for any consequences resulted there from.**

## FCC Warning

This device complies with Part 15 of the FCC Rules. Operation is subject to the following two conditions:

This device may not cause harmful interference, and (2) this device must accept any interference received, including interference that may cause undesired operation.

### NOTE 1:

This equipment has been tested and found to comply with the limits for a Class B digital device, pursuant to Part 15 of the FCC Rules. These limits are designed to provide reasonable protection against harmful interference in a residential installation. This equipment generates uses and can radiate radio frequency energy and, if not installed and used in accordance with the instructions, may cause harmful interference to radio communications. However, there is no guarantee that interference will not occur in a particular installation. If this equipment does cause harmful interference to radio or television reception, which can be determined by turning the equipment off and on, the user is encouraged to try to correct the interference by one or more of the following measures:-

-Reorient or relocate the receiving antenna.

-Connect the equipment into an outlet on a circuit different from that to which the receiver is connected.

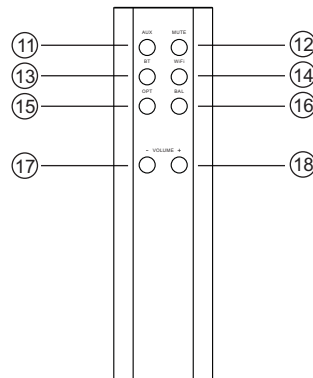
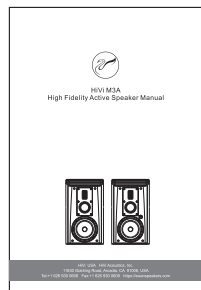
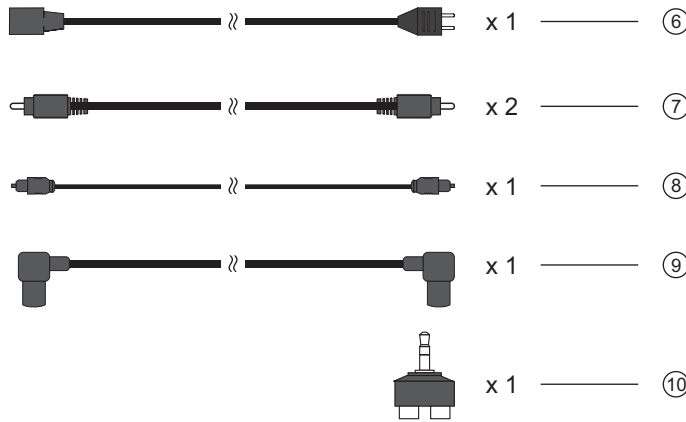
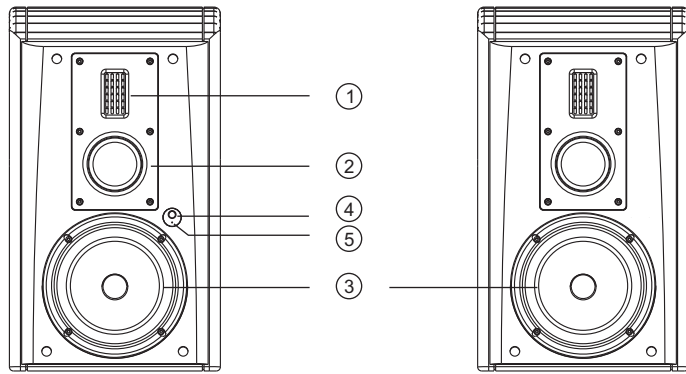
-Consult the dealer or an experienced radio/TV technician for help.

### NOTE 2:

Any changes or modifications to this unit not expressly approved by the party responsible for compliance could void the user's authority to operate the equipment.

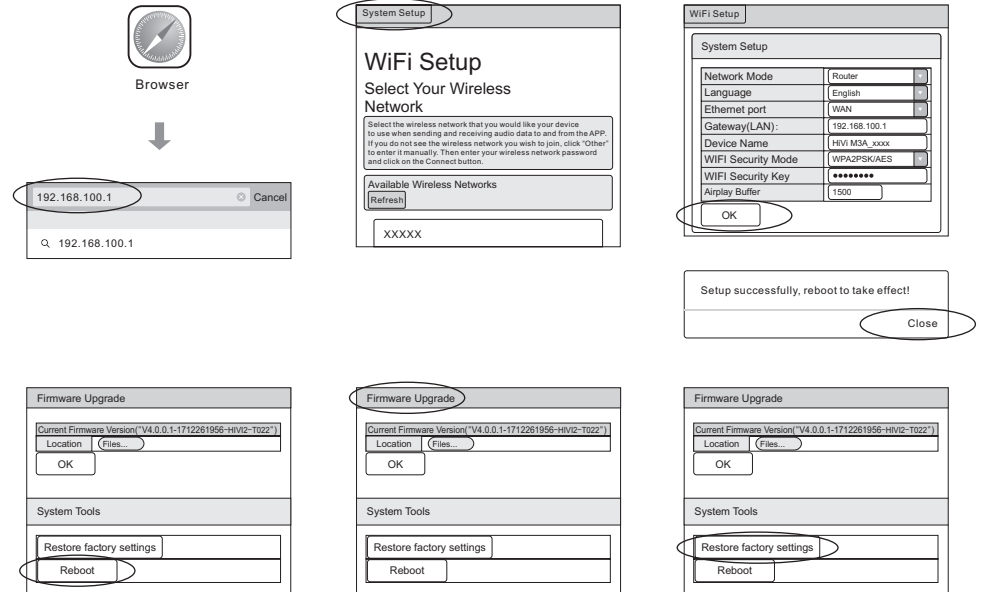
## Unpacking & Schematic Diagram

Please make sure all the following components are in the box.



## WiFi Connection

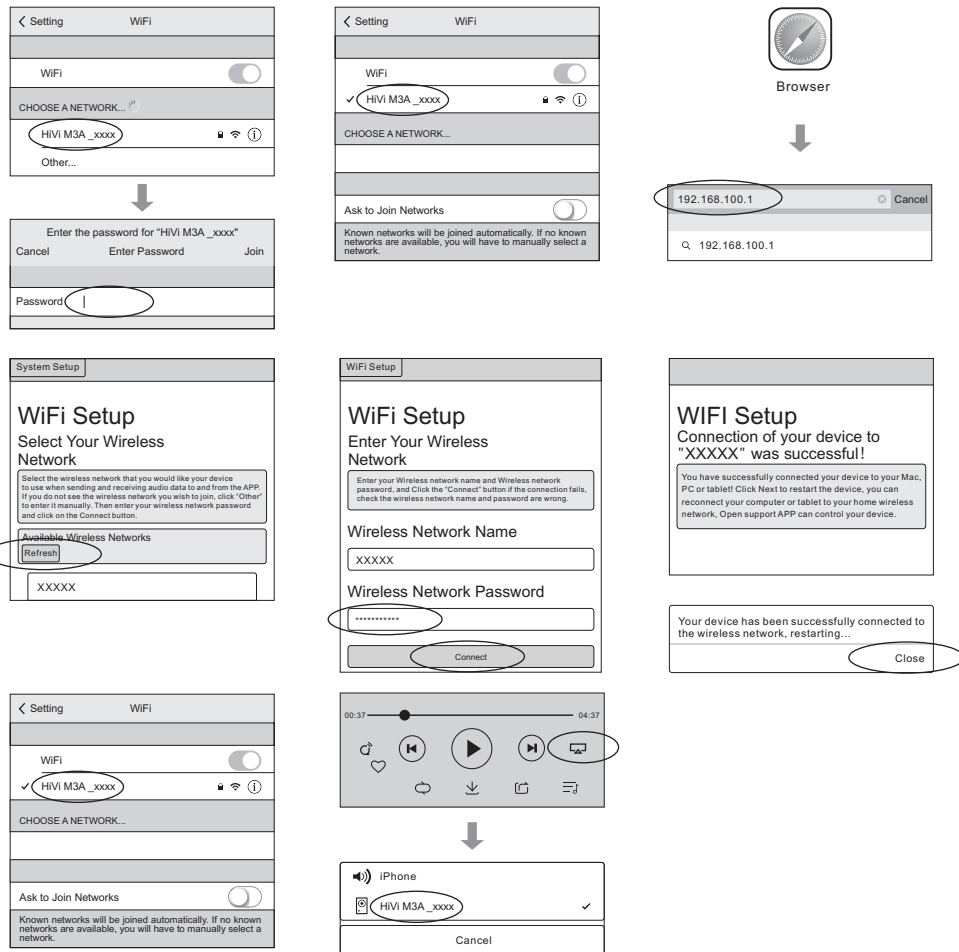
### ③ Settings:



- (1) Open your browser and enter 192.168.100.1.
- (2) Click "System Setup".
- (3) Under "System Setup", you can change system language, WiFi password etc. Click "OK" to confirm your changes.
- (4) Click "Reboot". When you hear "欢迎使用智能云音响", reboot succeeds. Note that each time after the change, the speakers should be reconnected to WiFi network.
- (5) Software Update
- (6) Click "restore factory settings", after the beep, restart succeeds. Or press on "Mute" key on the remote control for 5 seconds. Indicator light flashes red twice. Restart succeeds after the beep.

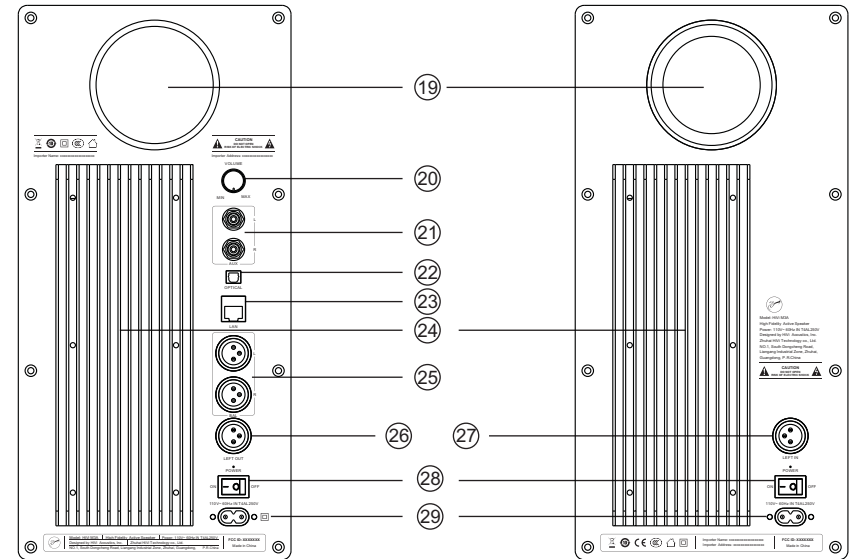
## WiFi Connection

### ② Wireless Connection



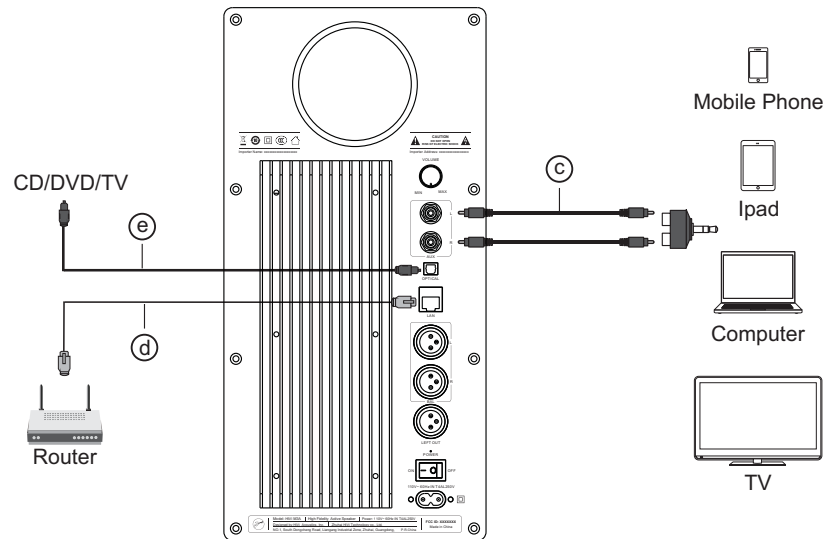
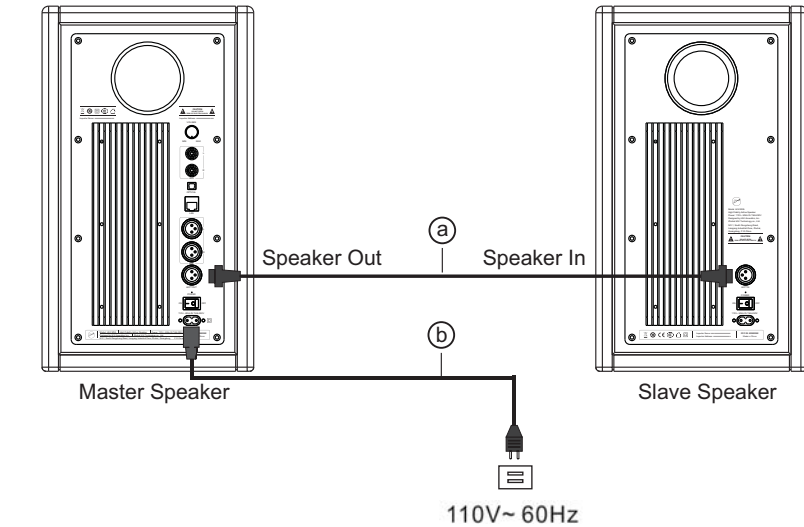
- 1) Open Settings app on your phone and select WiFi. Choose HiVi M3A\_ xxxx.  
Enter password 12345678.
- 2) Connected.
- 3) Open browser and enter website 192.168.100.1.
- 4) Click on Refresh, and choose your home WiFi network.
- 5) Enter password and connect. Note: No special characters allowed.
- 6) When you hear “欢迎使用智能云音响” restart succeeds.Connected. Close the browser.
- 7) Reopen the Settings app, and choose your home WiFi network.
- 8) Open music player and enjoy your music. Click and choose HiVi M3A\_ xxxx.  
When not connected to the Internet, the speaker still can play music via WiFi. But it's only limited to the local music.

## Unpacking & Schematic Diagram



- |  |                                  |
|--|----------------------------------|
| 1. Isodynamic Ribbon Tweeter   | 2. Midrange Driver               |
| 3. Woofer  | 4. Receiver                      |
| 5. Indicator Light   |                                  |
| 6. Power Cable   | 7. Aux Connecting Cable          |
| 8. Optical Connecting Cable  | 9. Speaker Connecting Cable      |
| 10. RCA to 3.5mm Converter   |                                  |
| 11. Aux Input (Sky Blue Light)   | 12. Mute (Red Light)             |
| 13. Bluetooth Input (Blue Light)   | 14. WiFi Input (Green Light)     |
| 15. Optical Input (White Light)  | 16. Balance Input (Yellow Light) |
| 17. Volume Down  | 18. Volume Up                    |
| 19. Vent Tube  |                                  |
| 20. Volume/Source Control: Turn clockwise to increase the volume<br>Press repeatedly to cycle through the available modes<br>(Aux, Bluetooth, WiFi...) |                                  |
| 21. Aux Interface  | 22. Optical Interface            |
| 23. LAN Interface  | 24. Radiator                     |
| 25. Balance Interface  | 26. Speaker Out                  |
| 27. Speaker In   | 28. Power Switch                 |
| 29. Power Socket   |                                  |

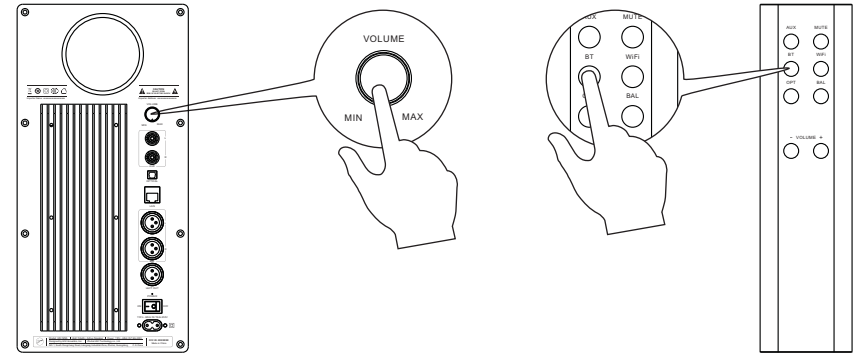
## Speaker Connection



- a) Connection between speakers.
- b) Speaker connection with power.
- c) Speaker connection with computers, TV and tablets etc.
- d) Speaker connection with router.
- e) Optical connection with CD/DVD/TV.

## Bluetooth Connection

Select Bluetooth mode via the remote control or press Volume/Source control on the back panel. Indicator light should flash blue. Choose HiVi M3A. Steady blue light indicates successful Bluetooth connection.

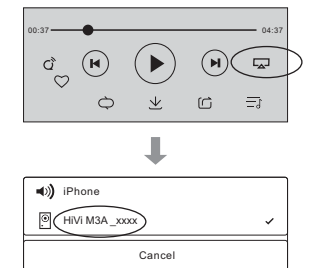
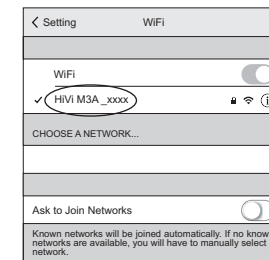
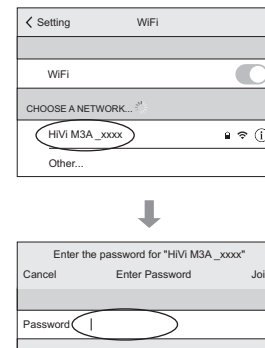


## WiFi Connection

Select WiFi mode via the remote control or press Volume/Source control on the back panel. Indicator light should flash green. When connected, the light should be steady.

### ① Wired Connection


Plug the speaker to a network connection. Both stream and local music can be played when connected.



1) Open Settings app on your phone and select WiFi. Choose HiVi M3A. Enter password 12345678.

2) Connected.

3) Open music player and enjoy your music.

Click icon  and choose HiVi M3A.

When not connected to the Internet, the speaker still can play music via WiFi. But it's only limited to the local music.

**FCC Radiation Exposure Statement:**

This equipment complies with FCC radiation exposure limits set forth for an uncontrolled environment. This equipment should be installed and operated with minimum distance 20cm between the radiator & your body.

**FCC Warning**

This device complies with Part 15 of the FCC Rules. Operation is subject to the following two conditions:

(1) This device may not cause harmful interference, and (2) this device must accept any interference received, including interference that may cause undesired operation.

NOTE 1: This equipment has been tested and found to comply with the limits for a Class B digital device, pursuant to part 15 of the FCC Rules. These limits are designed to provide reasonable protection against harmful interference in a residential installation. This equipment generates, uses and can radiate radio frequency energy and, if not installed and used in accordance with the instructions, may cause harmful interference to radio communications. However, there is no guarantee that interference will not occur in a particular installation. If this equipment does cause harmful interference to radio or television reception, which can be determined by turning the equipment off and on, the user is encouraged to try to correct the interference by one or more of the following measures:

- Reorient or relocate the receiving antenna.
- Increase the separation between the equipment and receiver.
- Connect the equipment into an outlet on a circuit different from that to which the receiver is connected.
- Consult the dealer or an experienced radio/TV technician for help.

NOTE 2: Any changes or modifications to this unit not expressly approved by the party responsible for compliance could void the user's authority to operate the equipment.