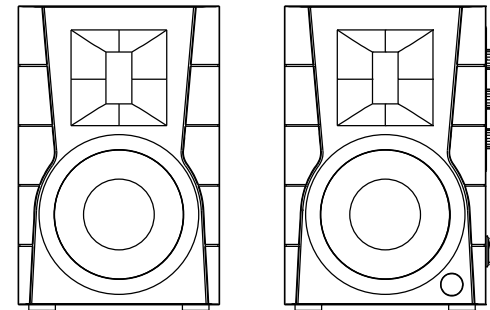




## HiVi-Swans D100 Active Speaker Manual



<https://swanspeakers.com>    <https://www.facebook.com/SwansSpeakers/>  
Zhuhai HiVi Technology Co., Ltd.    E-mail: [sales@swanspeaker.com](mailto:sales@swanspeaker.com)  
NO.1, South Dongcheng Road, Liangang Industrial Zone, Zhuhai, Guangdong, P.R.China

Due to the reasons in the change of design or others, product information contained here may not be in conformity with product itself. We reserve the right of no prior notice before change.


Design: HiVi-Swans


## Warning

### IMPORTANT SAFETY INSTRUCTIONS WARNING

To reduce the risk of fire or electric shock, do not expose this apparatus to rain or moisture.



 The lightning flash is intended to alert you to the presence of uninsulated “dangerous voltage” within the product’s enclosure that may be of sufficient magnitude to constitute an electric shock to persons.

 The exclamation point is intended to alert you to the presence of important operating and maintenance (servicing) instructions in the literature accompanying the appliance.

Before connecting or using this apparatus, do read carefully all safety warning and instructions. Please keep this instruction for future reference.

This device should be installed or set up in a position that ventilation can be assured.

Never put the device in a place that air flow over the ventilation openings might be hindered, such as in a bookshelf or a drawer.

This product should be operated only from the type of power source indicated on the back panel of the device. The power cord of this product should be restored in a place that is less possibly be walked on or get pierced, especially its plug, convenience receptacles and the point where power cord exit from the apparatus.

Before cleaning this product, make sure the plug is disconnected from the outlet. Proceed with the cleaning in the way that this instruction recommends only.

When this product is not in use for a long time, make sure to unplug the power cord from the AC outlet.

If below problem happens, send this product to a qualified service personnel for repairing.

- A. Power cord or power plug is damaged.
- B. Objects have fallen or liquid has been spilled into this product.
- C. This product is exposed to rain or other liquid.
- D. This product functions abnormally or very poorly.
- E. This product has been dropped or has a damaged enclosure.

Never to attempt to repair this product by yourself. Refer all servicing to a qualified servicing personnel.

### CAUTION

To reduce the risk of electric shock, the power plug must be completely inserted into an AC outlet.

This product does not contain any parts or components that can be repaired by users themselves. Do not open the enclosure, otherwise it may result in an electric shock. Refer all servicing to a qualified servicing personnel.




When you unplug this product from AC outlet, do hold the power plug and pull.

Do not pull the power cord. Do not overload AC outlets or the extension cord, as this can lead to risk of fire or electric shock.

## After-Sales services

If you still could not resolve your issue, please contact the seller for customer service.

## Notice

1. Using the same type or similar type of battery, otherwise it may cause explosion.
2. Keep the battery away from sunlight, heat or fire.
3. Please remove batteries from the remote, if it is not used for a long time.
4. If the battery is aged, the effective control distance of the remote will be less. Change the battery when this happens.
5.  Please abide by your local regulations when discard the battery. Please do not discard the battery along with other rubbish.
6.  This icon means this product is a CLASS II device or it comes with double insulation. It does not need earth lead.
7.  This icon means this product is only suitable for indoor use.

## Break-in

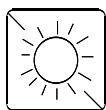
Break-in is the procedure which can enable the speakers to perform best acoustically. A period ranging from 48-100 hours of usage is recommended before both the amplifier and speaker drivers behave optimally.

Alternatively, you can listen 2 or 3 hours every day at a medium volume, and the speakers will be broken-in one month or so.

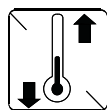
## Maintenance



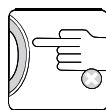
a)



b)



c)



d)



e)

- a) Avoid magnetic disturbance.
- b) Do not place under the sunshine for a long time.
- c) Do not place in high temperature or moist environment for a long time.
- d) Do not touch the drivers with your hands.
- e) Avoid corrosive liquids and gases.

## Trouble Shooting

1. If there is problem with sound quality.
  - a) Check if all the drivers are working.
  - b) Check that audio cables are firmly connected at both ends.
2. If there is no sound from either of the speakers:
  - a) Check if the device is on and if a source is playing.
  - b) Check if the volume is not on minimum.
  - c) Check if there is broken or short circuit with the cable connecting speakers and audio source.
3. If there is no sound coming from one of the speakers:
  - a) Check the setting of the audio source.
  - b) Check that all the audio cable are firmly connected at both ends.

## Warning

When repairing or replacement of parts is required, make sure the service technician has used the parts/components specified by the manufacturer or parts/components that have the same characteristics as the original parts/components. Unauthorized substitutions may result in risk of fire, electric shock or other hazards.

### POWER SOURCE

Before connecting this product with AC outlet, do check and make sure the electric supply voltage is as same as it is marked on the rear panel of this product.

**WARNING: It's very dangerous to insert a power plug that has bare wire into an AC outlet.**

### DECLARATION

This product does not contain any parts or components that can be repaired by users themselves. If there is any malfunction, refer to this instruction or ask for repair by a qualified service technician. Do not try to repair by yourself, otherwise the manufacturer will not be responsible for any consequences resulted there from.

## FCC Warning

This device complies with Part 15 of the FCC Rules. Operation is subject to the following two conditions:

(1) This device may not cause harmful interference, and (2) this device must accept any interference received, including interference that may cause undesired operation.

### NOTE 1:

This equipment has been tested and found to comply with the limits for a Class B digital device, pursuant to Part 15 of the FCC Rules. These limits are designed to provide reasonable protection against harmful interference in a residential installation. This equipment generates uses and can radiate radio frequency energy and, if not installed and used in accordance with the instructions, may cause harmful interference to radio communications. However, there is no guarantee that interference will not occur in a particular installation. If this equipment does cause harmful interference to radio or television reception, which can be determined by turning the equipment off and on, the user is encouraged to try to correct the interference by one or more of the following measures:

-Reorient or relocate the receiving antenna.

-Increase the separation between the equipment and receiver.

-Connect the equipment into an outlet on a circuit different from that to which the receiver is connected.

-Consult the dealer or an experienced radio/TV technician for help.

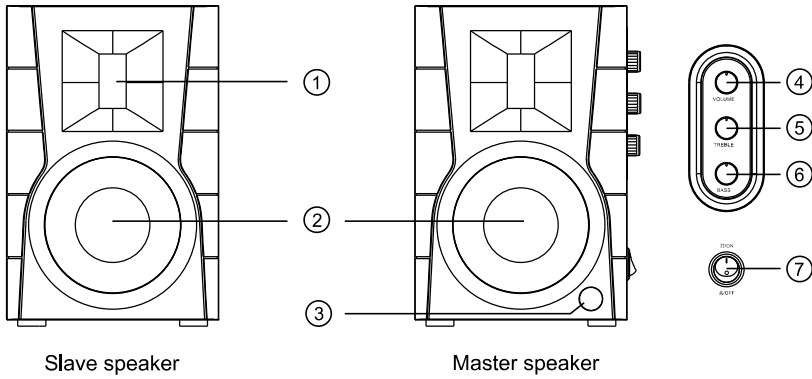
### NOTE 2:

Any changes or modifications to this unit not expressly approved by the party responsible for compliance could void the user's authority to operate the equipment.

This equipment complies with the FCC RF radiation exposure limits set forth for an uncontrolled environment. This equipment should be installed and operated with a minimum distance of 20cm between the radiator and any part of your body.

## Unpacking & Schematic Diagram

Please make sure all the following components are in the box.



Slave speaker

Master speaker



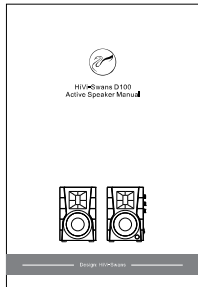
x 1

⑧

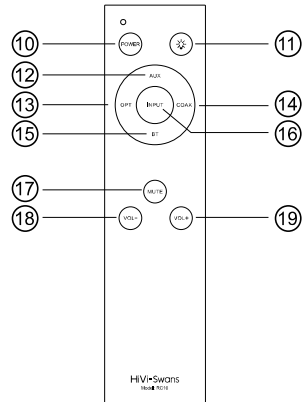


x 1

⑨



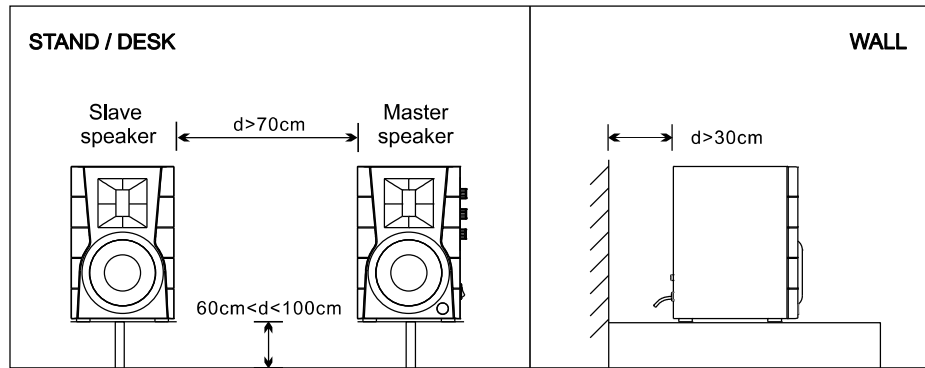
Manual



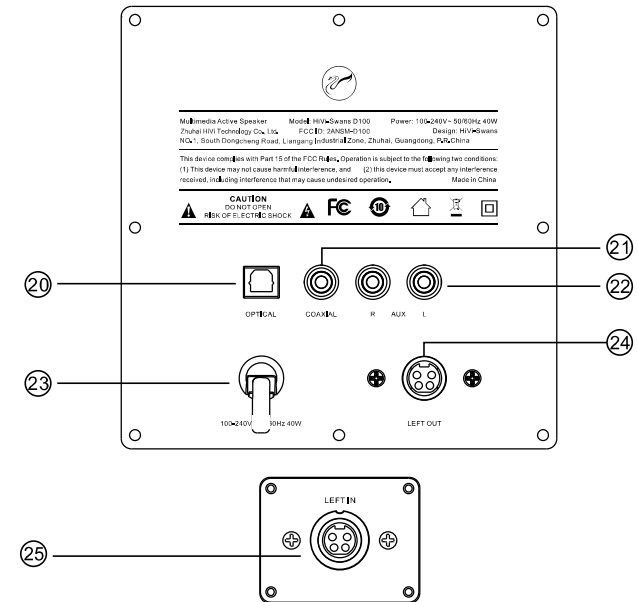
## Specifications

Series:	DSP active stereo speaker
Model:	HiVi-Swans D100
System Type:	2-way 4th-order vented speaker system
Drivers Configuration:	4" woofer, isodynamic ribbon tweeter
Frequency Response:	60Hz - 20kHz(±3dB, Free Space)
Audio Input:	Bluetooth 5.0/Optical/Coaxial/Line
Output Power:	31w+31w, Total 62w RMS
DSP Active Filter Frequency:	2.8kHz
Bass & Treble Tuning:	±3dB
Dimensions (W×H×D):	162×230×188mm
Net Weight (each):	Master: 2.6kg Slave: 2.2kg

## Speaker Placement

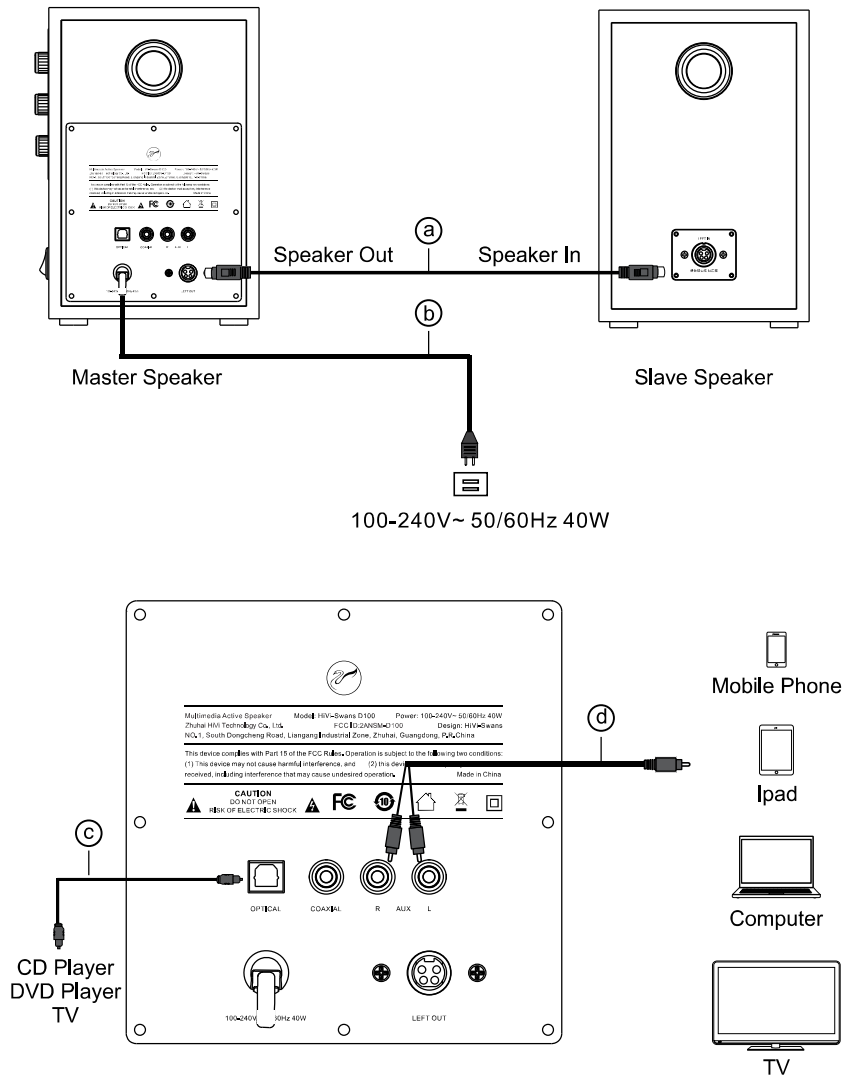


## Unpacking & Schematic Diagram



1. Tweeter
  2. Woofer
  3. Receiver / Indicator Light
  4. Input/Volume Control: Turn clockwise to increase the volume  
Press repeatedly to cycle through the available modes (AUX, Bluetooth...)
  5. Treble Control:  $\pm 3\text{dB}$ ; clockwise  $+3\text{dB}$ , counterclockwise  $-3\text{dB}$
  6. Bass Control:  $\pm 3\text{dB}$ ; clockwise  $+3\text{dB}$ , counterclockwise  $-3\text{dB}$
  7. Power Switch: ON / OFF
- 
8. Dual RCA to 3.5mm Audio Cable
  9. Speaker Connection Cable
- 
10. Power
  11. LED: ON / OFF
  12. AUX Input (Light Blue Light)
  13. Optical Input (White Light)
  14. Coaxial Input (Purple Light)
  15. Bluetooth Input (Blue Light)
  16. INPUT
  17. Mute (Red Light)
  18. Volume Down
  19. Volume Up
- 
20. Optical Interface
  21. Coaxial Interface
  22. AUX Interface
  23. Power Cable
  24. Speaker Out
  25. Speaker In

## Speaker Connection



- a) Connection between speakers.
- b) Speaker connection with power.
- c) Optical connection with CD Player/DVD Player/TV.
- d) Speaker connection with computers, TV or tablets etc.

## Bluetooth Connection

Select Bluetooth mode via the remote control or press Volume control on the side panel. Indicator light should flash blue. Choose HiVi-Swans D100 on your phone. Steady blue light indicates successful Bluetooth connection.

