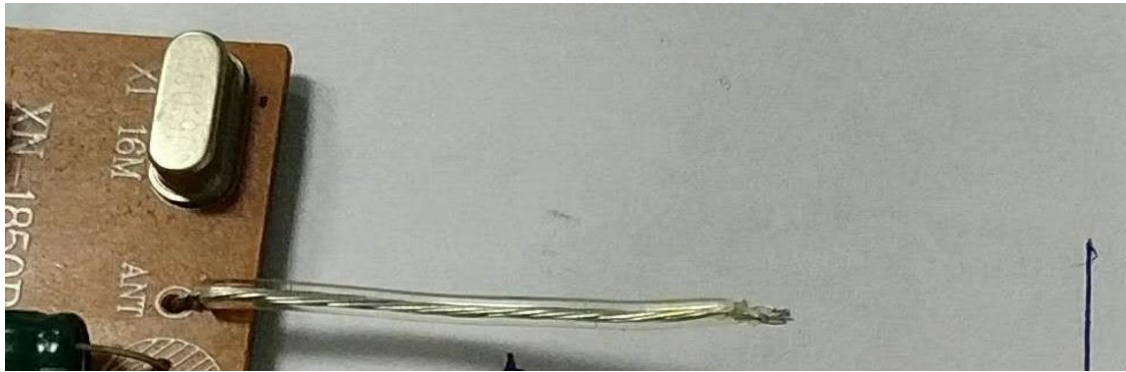


Graphical representation



Note: 2.4G transparent antenna specifications are 9 core outer diameter 1.3MM tinned copper wire, transparent color, length of 40MM, wire tip peeled 3MM tin. In line with environmental standards: EU EN71(19E), ROHS, PAHS, 6P~16P, European and American CPSIA, HR4040.

Product Specification

A. Electrical Characteristics Frequency

2400MHz ~2500MHz VSWR <3.0

Efficiency >30%

Impedance 50 Ohm

Polarization Line

Gain -0.11DBi

B. Material & Mechanical Characteristics

Material of Radiator Cu

Cable Type 1.0 19P 透明

Connector Type : NO

Dimension

C. Environmental

Operation Temperature - 30 °C ~ + 80 °C

Storage Temperature - 30 °C ~ + 85 °C

Test Equipment & Conditions

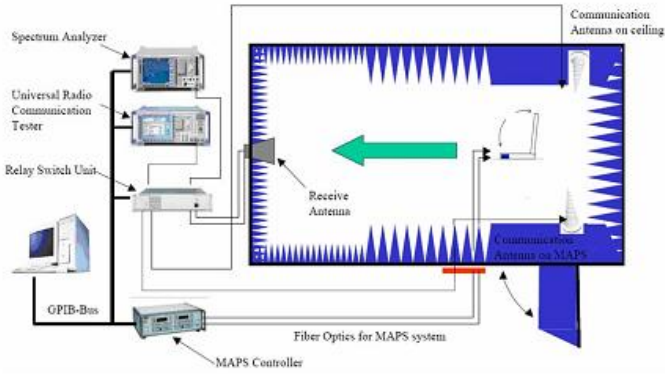
1. Network Analyzers :

Agilent 8753D 5071B

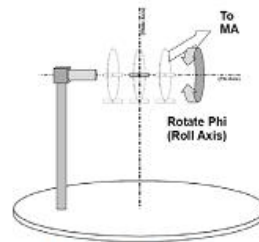
2. Communications Test Set:

Agilent E5515C

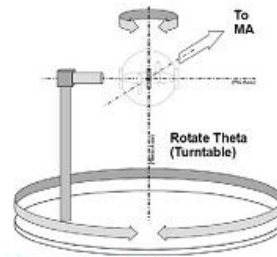
3. 3D Chamber Test System Efficiency & Gain



(Testing by 3D anechoic chamber)



Phi axis test

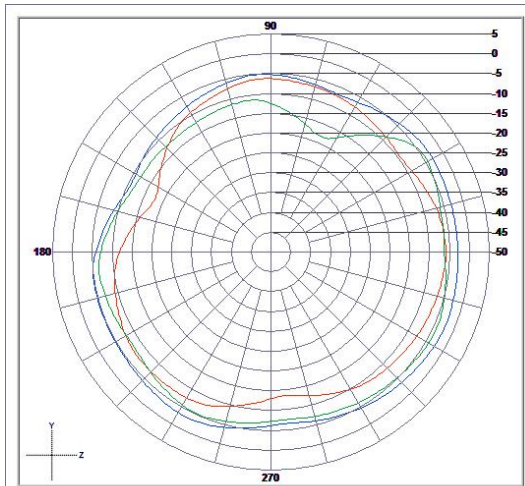


Theta axis test

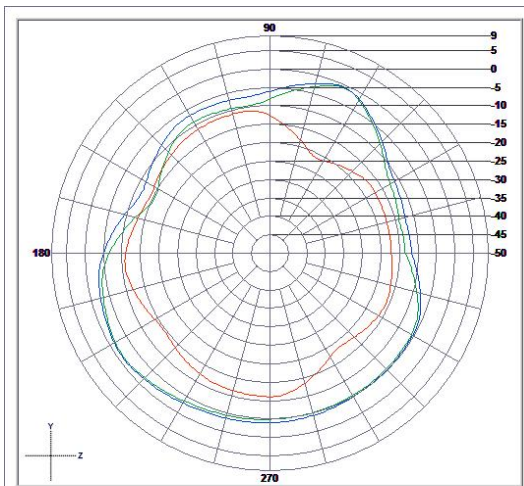
Efficiency & Gain

2.40	-0.00
2.440	-0.11
2.48	-0.13

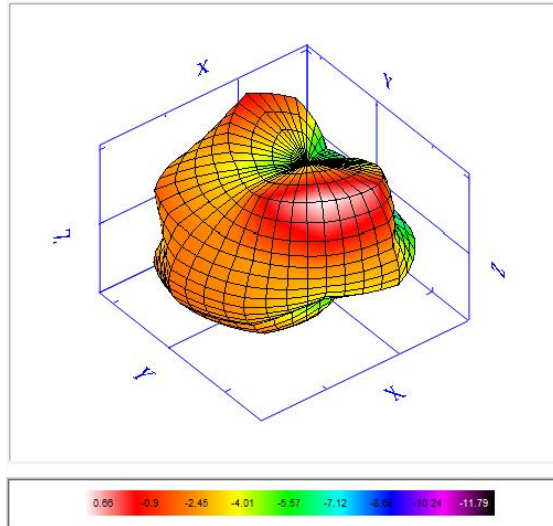
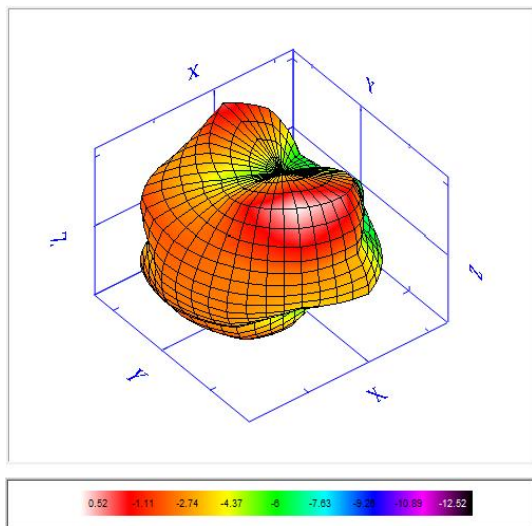
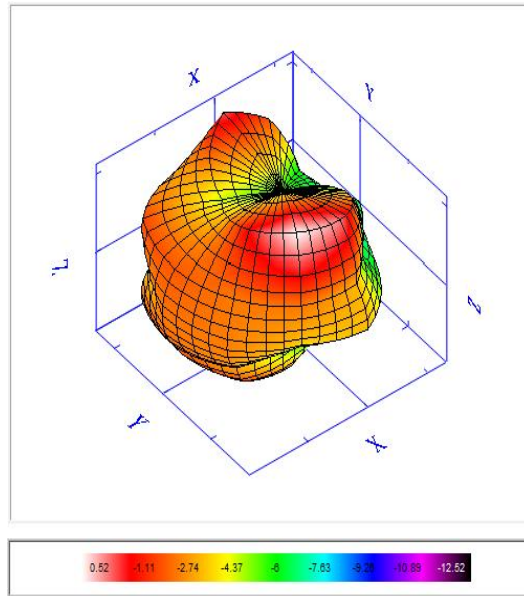
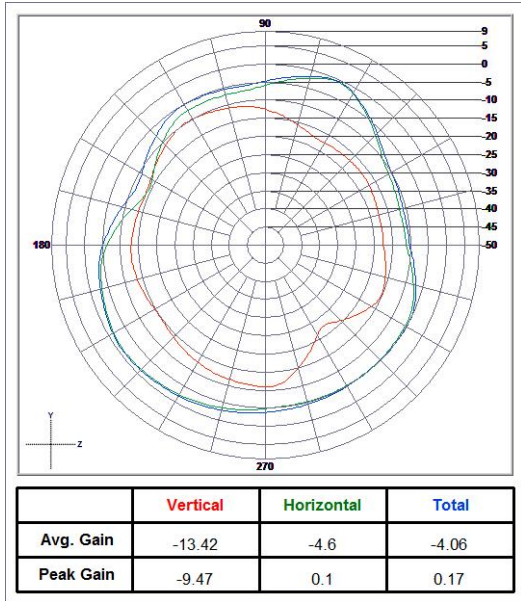
Radiation Pattern:



	Vertical	Horizontal	Total
Avg. Gain	-8.4	-6.99	-4.63
Peak Gain	-5.48	-3.77	-2.17



	Vertical	Horizontal	Total
Avg. Gain	-13.34	-5.06	-4.46
Peak Gain	-10.3	0.09	0.12



Manufacturer: SHENZHEN BESUNVO TECHNOLOGY CO. LTD
 Manufacturer's address: 4th Floor, Building 11, Baoke Industrial Park, Langkou Community, Dalang Street, Longhua District, Shenzhen.China