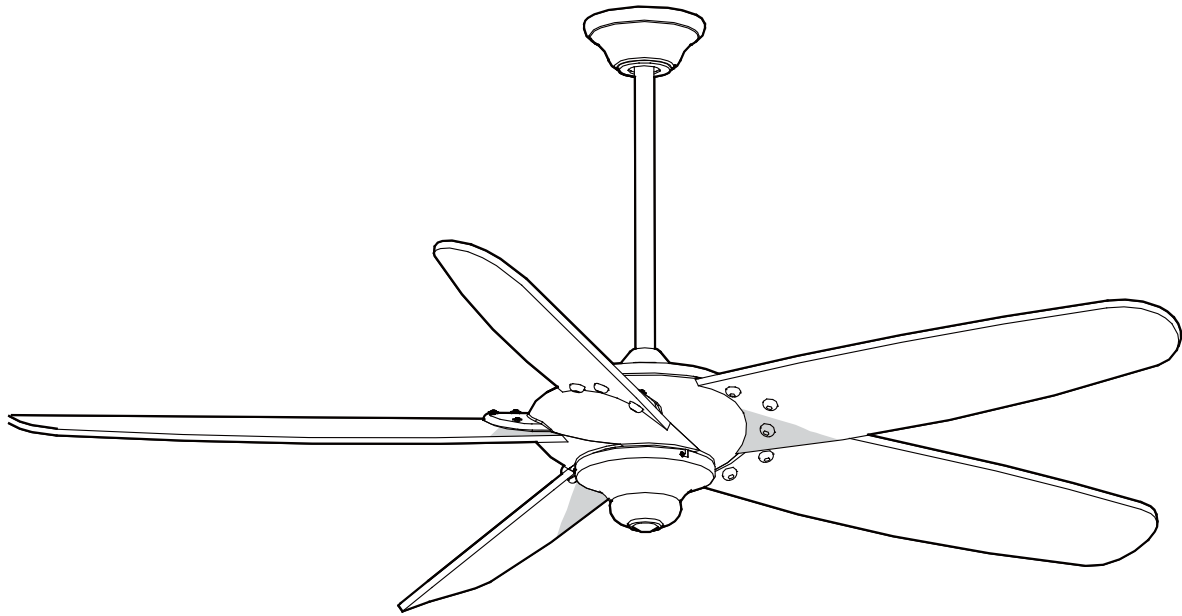


USE AND CARE GUIDE

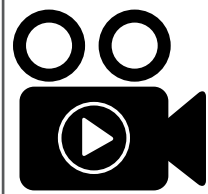
ALTURA 68-INCH CEILING FAN



Questions, problems, missing parts? Before returning to the store,
call Home Decorators Collection Customer Service
8 a.m. - 7 p.m., EST, Monday-Friday, 9 a.m. - 6 p.m., EST, Saturday

1-800-986-3460

HOMEDEPOT.COM/HOMEDECORATORS



To view an instructional video on how to install this product:

1. Go to www.homedepot.com and enter either the Item or Model number, found in the top right corner of the cover of this instruction manual, in the search field.
2. Click on your product from the list of search results and click on the video link in the "Product Overview" section.

THANK YOU

We appreciate the trust and confidence you have placed in Home Decorators Collection through the purchase of this ceiling fan. We strive to continually create quality products designed to enhance your home. Visit us online to see our full line of products available for your home improvement needs. Thank you for choosing Home Decorators Collection!

Table of Contents

Table of Contents	2	Assembly	7
Safety Information	2	Operation	13
Warranty	3	Care and Cleaning	15
Pre-Installation	3	Troubleshooting	15
Installation	6		

Safety Information

READ AND SAVE THESE INSTRUCTIONS.

1. To reduce the risk of electric shock, ensure the electricity has been turned off at the circuit breaker or fuse box before you begin.
2. All wiring must be in accordance with the National Electrical Code ANSI/NFPA 70 and local electrical codes. Electrical installation should be performed by a qualified licensed electrician.
3. The outlet box and support structure must be securely mounted and capable of reliably supporting a minimum of 50 lbs. (22.7 kg). Use only UL-listed outlet boxes marked "Acceptable for Fan Support of 50 lbs. (22.7 kg) or less."
4. The fan must be mounted with a minimum of 7 ft (2.1 m) of clearance from the trailing edge of the blades to the floor.
5. Do not place objects in the path of the blades.
6. To avoid personal injury or damage to the fan and other items, use caution when working around or cleaning the fan.
7. After making electrical connections, spliced conductors should be turned upward and pushed carefully up into the outlet box. The wires should be spread apart with the grounded conductor and the equipment-grounding conductor on one side of the outlet box.
8. All set screws must be checked and retightened where necessary before installation.



WARNING: To reduce the risk of personal injury, do not bend the blade brackets (also referred to as flanges) during assembly or after installation. Do not insert objects in the path of the blades.



WARNING: To reduce the risk of fire or electric shock, do not use this fan with any solid-state speed control device.



WARNING: To avoid possible electrical shock, turn the electricity off at the main fuse box before wiring. If you feel you do not have enough electrical wiring knowledge or experience, contact a licensed electrician.



WARNING: To reduce the risk of fire, electric shock or personal injury, mount to outlet box marked "Acceptable for fan support of 50 lbs. (22.7 kgs) or less", and use screws provided with the outlet box.



WARNING: Electrical diagrams are for reference only. If you are using a light kit, refer to the light kit instructions manual to make the electrical connections. Optional use of any light kit shall be UL-listed and marked suitable for use with this fan.



WARNING: To reduce the risk of fire or electric shock, this fan should only be used with fan speed control part no. RH786NR, manufactured by Rhine.



CAUTION: To reduce the risk of personal injury, use only the screws provided with the outlet box.



CAUTION: Changes or modifications not expressly approved by the party responsible for compliance could void the user's authority to operate the equipment.

This equipment has been tested and found to comply with the limits for a Class B digital device, pursuant to Part 15 of the FCC Rules. These limits are designed to provide reasonable protection against harmful interference in a residential installation. This equipment generates, uses and can radiate radio frequency energy and, if not installed and used in accordance with the instructions, may cause harmful interference to radio communications. However, there is no guarantee that interference will not occur in a particular installation. If this equipment does cause harmful interference to radio or television reception, which can be determined by turning the equipment off and on, the user is encouraged to try to correct the interference by one or more of the following measures:

- Reorient or relocate the receiving antenna.
- Increase the separation between the equipment and receiver.
- Connect the equipment into an outlet on a circuit different from that to which the receiver is connected.
- Consult the dealer or an experienced radio/TV technician for help.

CAUTION:

Any changes or modifications not expressly approved by the grantee of this device could void the user's authority to operate the equipment.

This device complies with Part 15 of the FCC Rules. Operation is subject to the following two conditions:

- (1) This device may not cause harmful interference, and
- (2) this device must accept any interference received, including interference that may cause undesired operation.

Warranty

The supplier warrants the fan motor to be free from defects in workmanship and material present at time of shipment from the factory for a lifetime after the date of purchase by the original purchaser. The supplier also warrants that all other fan parts, excluding any glass or acrylic blades, to be free from defects in workmanship and material at the time of shipment from the factory for a period of three years after the date of purchase by the original purchaser. We agree to correct such defects without charge or at our option replace with a comparable or superior model if the product is returned. To obtain warranty service, you must present a copy of the receipt as proof of purchase. All costs of removing and reinstalling the product are your responsibility. Damage to any part such as by accident or misuse or improper installation or by affixing any accessories, is not covered by this warranty. Because of varying climatic conditions this warranty does not cover any changes in brass finish, including rusting, pitting, corroding, tarnishing, or peeling. Brass finishes of this type give their longest useful life when protected from varying weather conditions. A certain amount of “wobble” is normal and should not be considered a defect. Servicing performed by unauthorized persons shall render the warranty invalid. There is no other express warranty. Home Decorators Collection hereby disclaims any and all warranties, including but not limited to those of merchantability and fitness for a particular purpose to the extent permitted by law. The duration of any implied warranty which cannot be disclaimed is limited to the time period as specified in the express warranty. Some states do not allow a limitation on how long an implied warranty lasts, so the above limitation may not apply to you. The retailer shall not be liable for incidental, consequential, or special damages arising out of or in connection with product use or performance except as may otherwise be accorded by law. Some states do not allow the exclusion of incidental or consequential damages, so the above exclusion or limitation may not apply to you. This warranty gives specific legal rights, and you may also have other rights which vary from state to state. This warranty supersedes all prior warranties. Shipping costs for any return of product as part of a claim on the warranty must be paid by the customer.

Contact the Customer Service Team at 1-800-986-3460 or visit www.HOMEDEPOT.COM/HOMEDECORATORS.

Pre-Installation

SPECIFICATIONS

Size	Speed	Volts	Fan Power Consumption (without lights) WATT	Airflow CFM	Airflow Efficiency (Higher Is Better) CFM/WATT	Net Weight	Gross Weight	Cubic Feet
68 in.	Low	120	3	3679	1226	23.81 lbs (10.8 kgs)	28.88 lbs (13.1 kgs)	3.53 cu.ft.
	Medium		11	6790	617			
	High		32	9553	298			

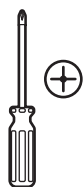


NOTE: These are approximate measures. They do not include the Amps and Wattage used by the light kit.



Pre-Installation (continued)

TOOLS REQUIRED



Phillips
screwdriver



Flat blade
screwdriver



Adjustable
wrench



Electrical
tape



Wire
cutter /
stripper

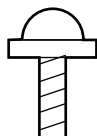


Step ladder

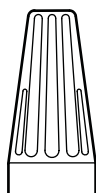
HARDWARE INCLUDED



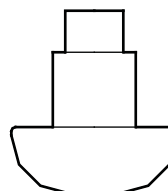
NOTE: Hardware not shown to actual size.



AA



BB

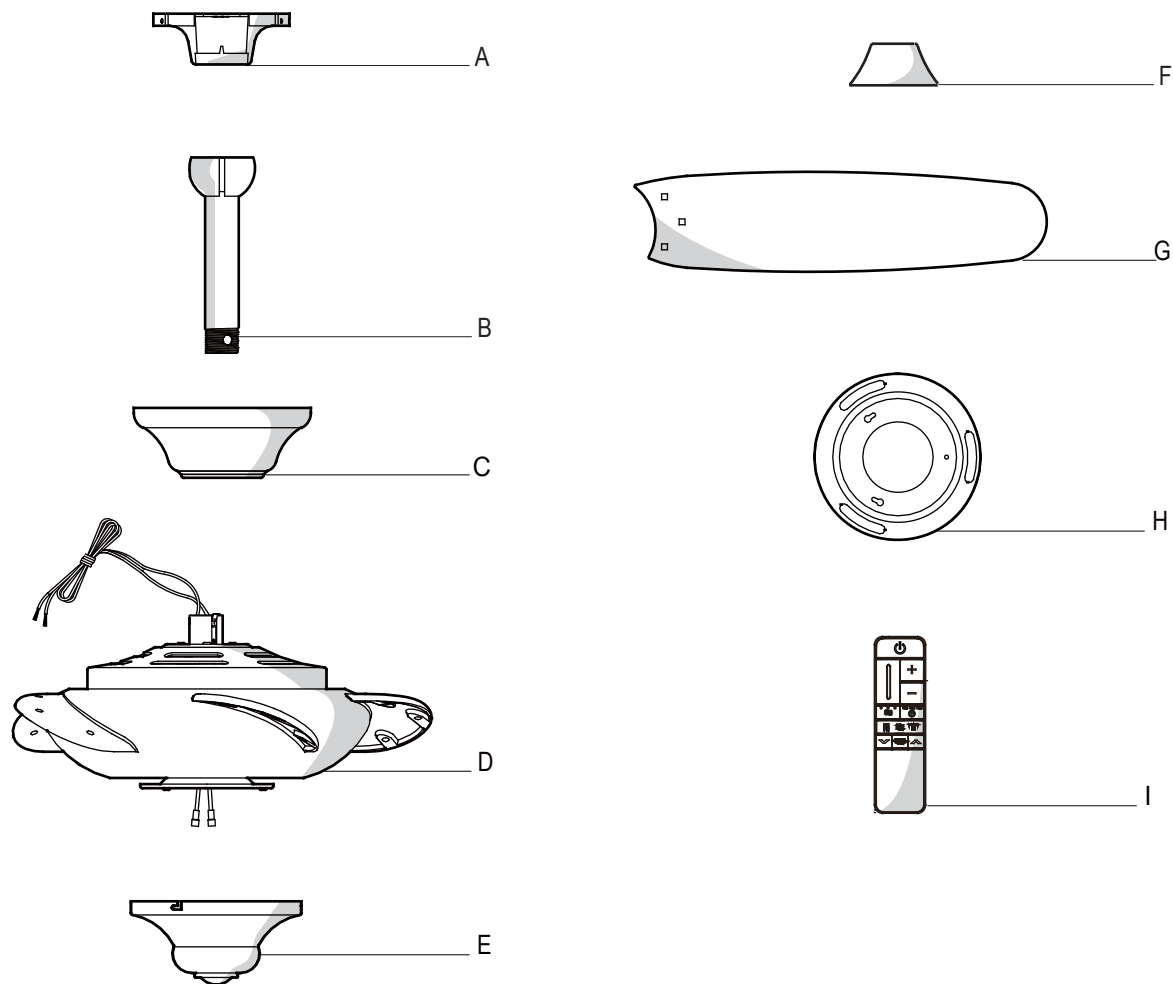


CC

Part	Description	Quantity
AA	Blade attachment screws	15
BB	Plastic wire connecting nut	3
CC	Decorative nut	15

Pre-Installation (continued)

PACKAGE CONTENTS



Part	Description	Quantity
A	Slide-on mounting bracket (inside canopy)	1
B	Ball/downrod assembly	1
C	Canopy with canopy ring attached	1
D	Fan-motor assembly	1

Part	Description	Quantity
E	Switch cup	1
F	Decorative motor collar cover	1
G	Blade	5
H	Switch cup adaptor	1
I	Transmitter (battery included)	1



IMPORTANT: This product and/or components are governed by one or more of the following U.S. Patents: 5,947,436; 5,988,580; 6,010,110; 6,046,416; 6,210,117 and other patents pending.

Installation

MOUNTING OPTIONS

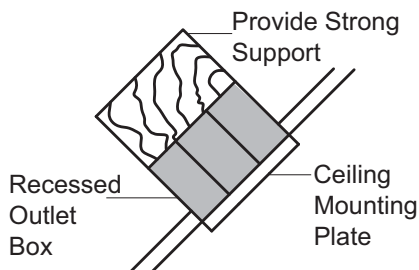
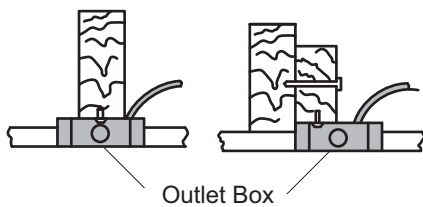
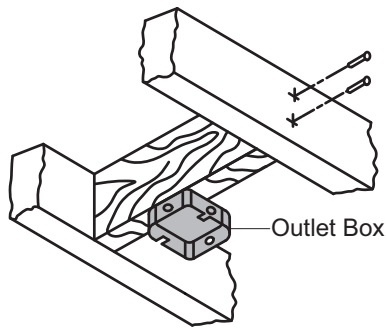


WARNING: To reduce the risk of fire, electric shock or personal injury, mount to outlet box marked "Acceptable for fan support of 50 lbs. (22.7 kg) or less", and use screws provided with the outlet box. An outlet box commonly used for the support of lighting fixtures may not be acceptable for fan support and may need to be replaced. If in doubt, consult a qualified electrician.

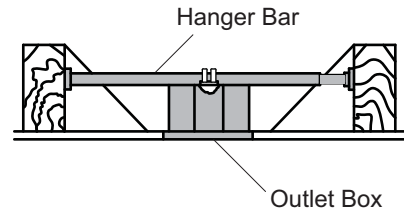
If your ceiling fan does not have an existing UL-listed mounting box, then install one using the following instructions:

- Disconnect the power by removing the fuses or turning off the circuit breakers.
- Secure the outlet box directly to the building structure. Use the appropriate fasteners and materials. The outlet box and its bracing must be able to fully support the weight of the moving fan (at least 50 lbs.). Do not use a plastic outlet box.

The illustrations below show three different ways to mount the outlet box.



NOTE: You may need a longer downrod to maintain proper blade clearance when installing on a steep, sloped ceiling. The maximum angle allowable is 30° away from horizontal.



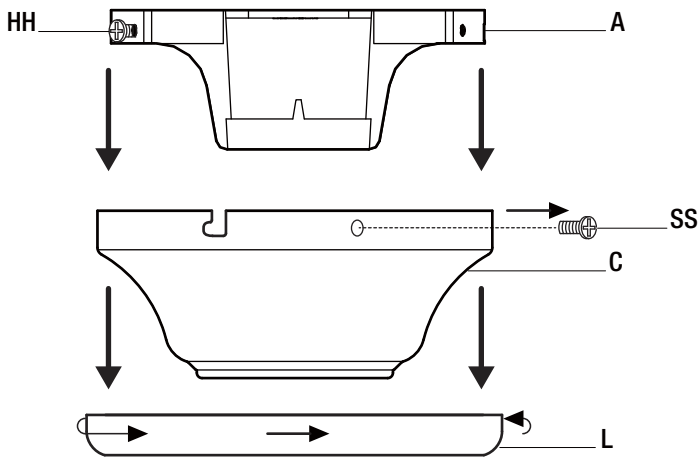
If the canopy touches the downrod, then remove the decorative canopy bottom cover, and turn the canopy 180° before attaching the canopy to the mounting plate.

To hang your fan where there is an existing fixture but no ceiling joist, you may need an installation hanger bar as shown above (available at any Home Depot store).

Assembly - Standard Ceiling Mount

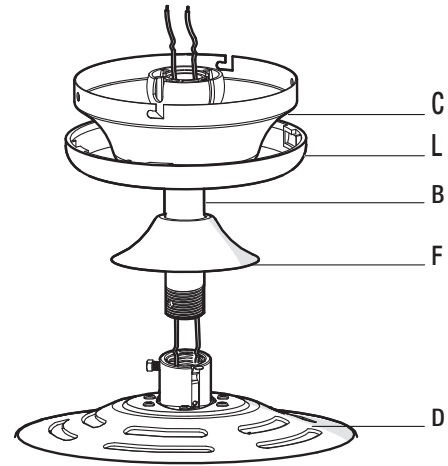
1 Preparing for mounting

- Remove the canopy ring (L) from the canopy (C) by turning the ring to the right until it unlocks.
- Remove the mounting bracket (A) from the canopy (C) by loosening the two screws (HH) located in the “L shaped” slots
- Remove and save the two non-slotted screws (SS) in the round holes. This will enable you to remove the mounting bracket (A).



2 Routing the wires

- Route the wires exiting the top of the fan motor (D) into the decorative motor collar cover (F) and through the canopy ring (L).
- Make sure the slot openings are on top and route the wires through the canopy (C) and then through the ball/downrod assembly (B).



3 Assembling the fan

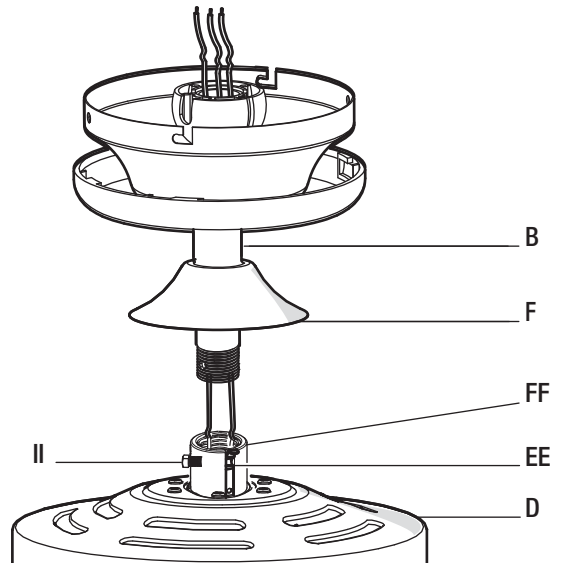


CAUTION: To ensure wobble-free operation and to avoid damage to the fan, the downrod (B) and the setscrew (II) must be completely tightened



NOTE: This fan is equipped with a safety tab (EE). Should the setscrew (II) ever become loose while the fan is running in reverse, the safety tab (EE) will engage and stop the fan from falling.

- Loosen but do not remove the setscrew (II) by turning it counterclockwise.
- Install the downrod (B) by inserting it into the motor collar (FF), and turning it clockwise until it is tight.
- Re-tighten the setscrew (II) on the motor collar (FF) on top of the fan motor assembly (D) by turning it clockwise.



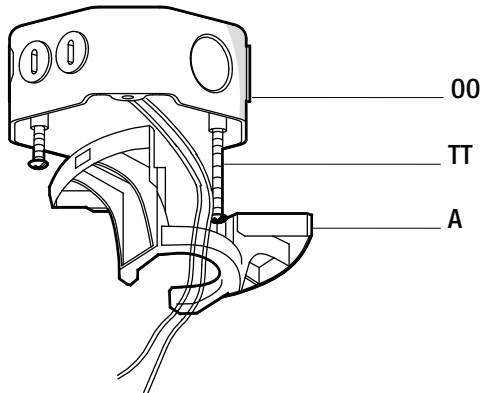
Assembly - Hanging the Fan

1 Attaching the fan to the electrical box



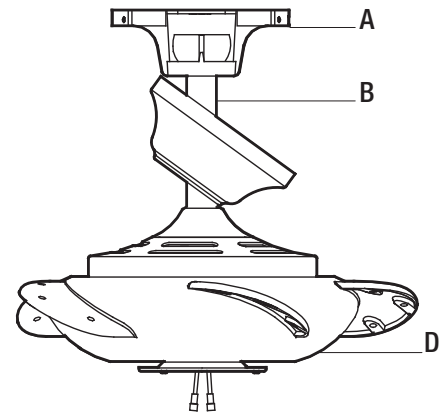
WARNING: To reduce the risk of fire, electric shock or personal injury, mount to outlet box marked "acceptable for fan support of 50 lbs. (22.7 kg) or less", and use screws provided with the outlet box.

- Pass the 120-Volt supply wires through the center hole in the mounting bracket (A).
- Install the ceiling mounting bracket (A) on the outlet box (OO) by sliding the mounting bracket (A) over the two screws (TT) provided with the outlet box (OO). If necessary, use leveling washers (not included) between the mounting bracket (A) and the outlet box (OO). Note that the flat side of the mounting bracket (A) is toward the outlet box (OO). Note that the flat side of the mounting bracket (A) is toward the outlet box (OO).
- Securely tighten the two mounting screws (TT).



2 Hanging the fan

- Carefully lift the fan motor assembly (D) up to the mounting bracket (A).
- Seat the hanger ball portion of the ball/downrod assembly (B) in the mounting bracket (A) socket. Ensure that the tab on the mounting bracket (A) socket is properly seated in the groove in the hanger ball.



Assembly - Hanging the Fan (continued)

3 Making the electrical connection



WARNING: Each wire nut supplied with this fan is designed to accept up to one 12-gauge house wire and two wires from the fan. If you have larger than 12-gauge house wiring or more than one house wire to connect to the fan wiring, consult an electrician for the proper size wire nuts to use.



IMPORTANT: Use the plastic wire connectors (BB) supplied with your fan. Secure the connectors with electrical tape and ensure there are no loose strands or connections.

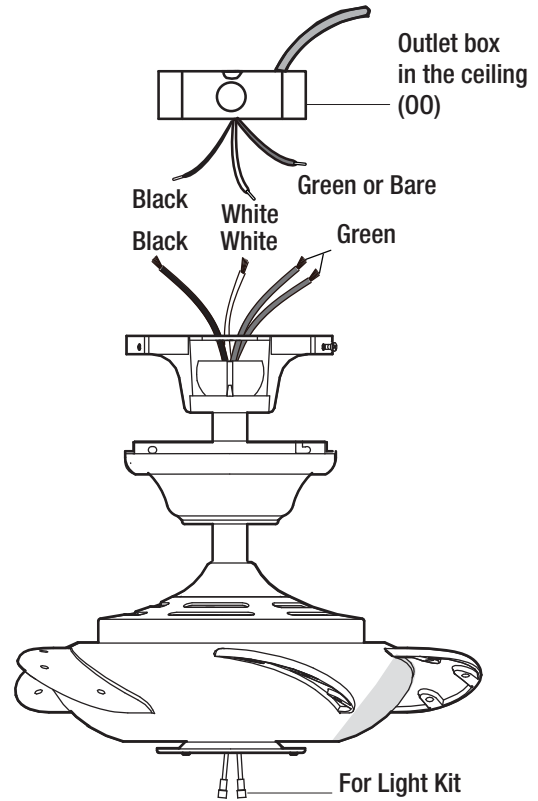


NOTE: The fan comes with 78 in. lead wires for use with an extended ball/downrod assembly. If using the 18 in. ball/downrod assembly (B) provided, you can cut the lead wires to your desired length.



NOTE: The blades must be installed before attempting to operate the fan. If the blades are not installed, the motor will not function properly.

- The fan comes with 78 in. lead wires for use with an extended ball/downrod assembly. If using the 18 in. ball/downrod assembly (B) provided, you can cut the lead wires to your desired length. This will make extra room in the canopy (C), if you do not wish to cut the wires, you will need to neatly wrap them.
- Connect the fan motor green wires to the household green or bare wire using a wire connecting nut (BB).
- Connect the fan motor white wire to the household white wire using a wire connecting nut (BB).
- Connect the fan motor black wire to the household black wire using a wire connecting nut (BB).
- Secure each wire connecting nut using electrical tape.
- Turn the wire connecting nuts (BB) upward and push the wiring into the outlet box (OO).



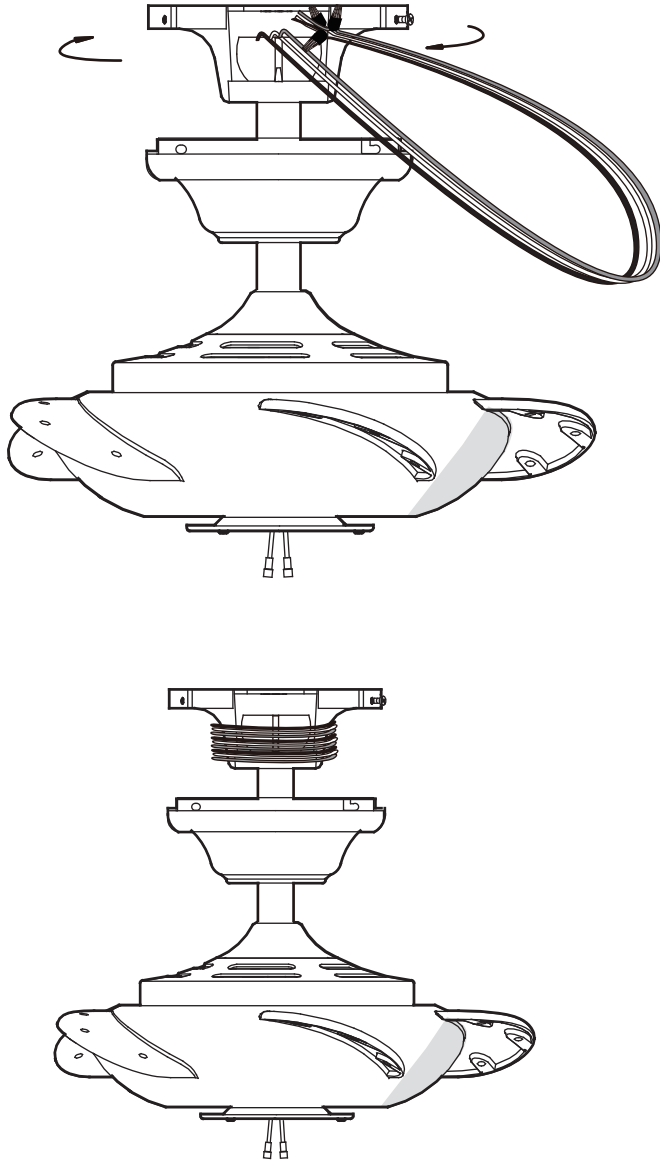
Assembly - Hanging the Fan (continued)

4 Wrapping the extra wire



NOTE: Follow this step **ONLY** if you did not cut the extra length off from the wires coming from the ceiling fan.

- Gently wrap the excess wire around the mounting bracket.
- Secure with electrical tape.



5 Mounting the fan-motor assembly (standard mount)

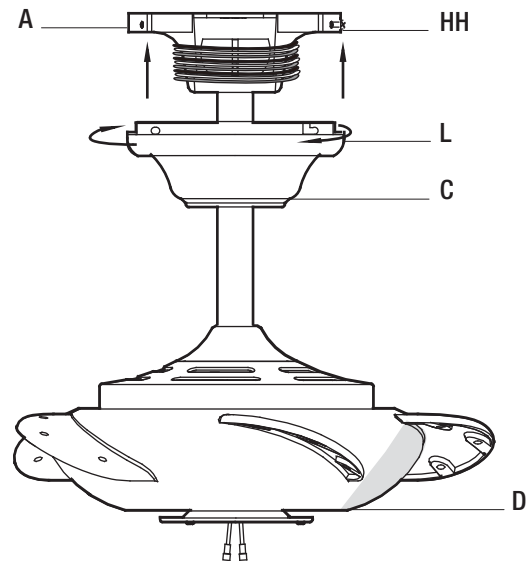


WARNING: When using the standard ball/downrod mounting, the tab in the ring at the bottom of the mounting bracket must rest in the groove of the hanger ball. Failure to properly seat the tab in the groove could cause damage to the wiring.



WARNING: The locking slots of ceiling canopy are provided only as an aid to mounting. Do not leave the fan assembly unattached until all four canopy screws are engaged and firmly tightened.

- Align the locking slots of the ceiling canopy (C) with the two screws (HH) in the slide-on mounting bracket (A). Push up to engage the slots, and turn clockwise to lock the canopy (C) in place.
- Firmly tighten the two mounting screws (HH).
- Install the two mounting screws (saved from assembly step 1 "Preparing for mounting" into the holes in the canopy (C) and tighten firmly.
- Install the decorative canopy ring (L) by aligning the ring's slots with the screws in the canopy (C). Rotate the canopy ring (L) counter-clockwise to lock it in place.



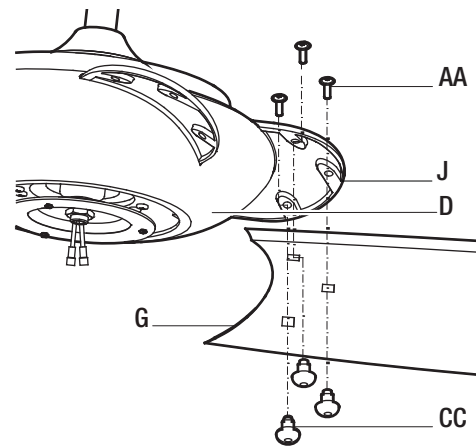
Assembly - Hanging the Fan (continued)

6 Attaching the fan blades



NOTE: The blades must be installed before attempting to operate the fan. If the blades are not installed, the motor will not function properly.

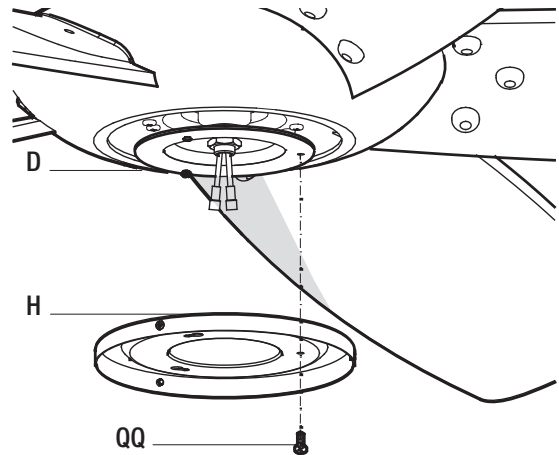
- Attach a blade (G) to a blade bracket (J) using the decorative nuts (CC) and blade attachment screws (AA) provided. Insert a blade attachment screw (AA) through a hole in the blade (G) and the blade bracket (J) and into the decorative nut (CC). Repeat for the two remaining holes in the blade (G).
- Tighten each screw (AA) securely.
- Repeat these steps for the remaining blades.



Assembly - Attaching the accessories

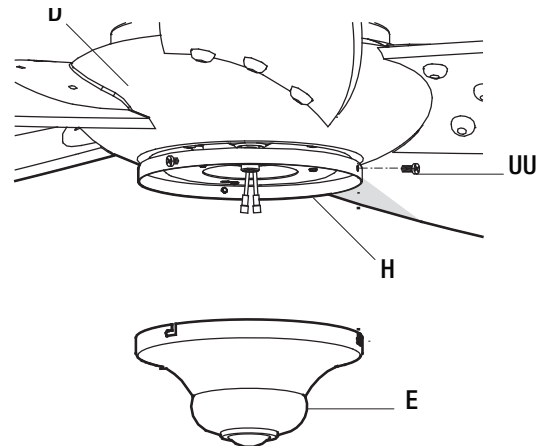
1 Attaching the switch cup adaptor

- Remove one screw (QQ) from the black bracket below the fan motor assembly (D). Loosen, but do not remove the other two screws.
- Align the key hole slots in the switch cup adaptor (H) with the two screws in the black bracket.
- Turn the switch cup adaptor (H) clockwise until the two screws are situated in the narrow end of the keyholes.
- Re-install the one screw (QQ) that was removed in the first step. Tighten all three screws firmly.



2 Attaching the switch cup

- Remove one screw (UU) from the side of the switch cup adaptor (H). Loosen but do not remove the other two screws (UU).
- Align the "L" shape holes on the switch cup (E) with the screws on the switch cup adaptor (H). Turn the switch cup (E) to hold it in position.
- Install the other screw (UU) that was removed in the first step. Tighten all three screws (UU) securely.



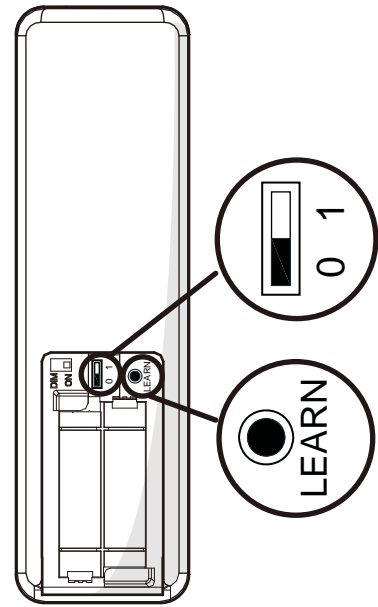
Preparing the Remote Control

Pairing the Remote Control



NOTE: The remote control has already been paired to the ceiling fan for your convenience. If you have two of the same model fans in your home, please follow the steps below to control each fan independently.

- Slide the dip switch in the battery compartment to the “1” setting.
- Confirm that the power to the fan is off at either the wall switch or breaker box.
- Return power to the fan at the wall switch or breaker box.
- Press and release the “Learn” button located in the remote’s battery compartment within 30 seconds.
- If pairing is successful, the fan’s light kit will flash (if applicable) and the blades will begin to spin.



Setting the light function on your remote

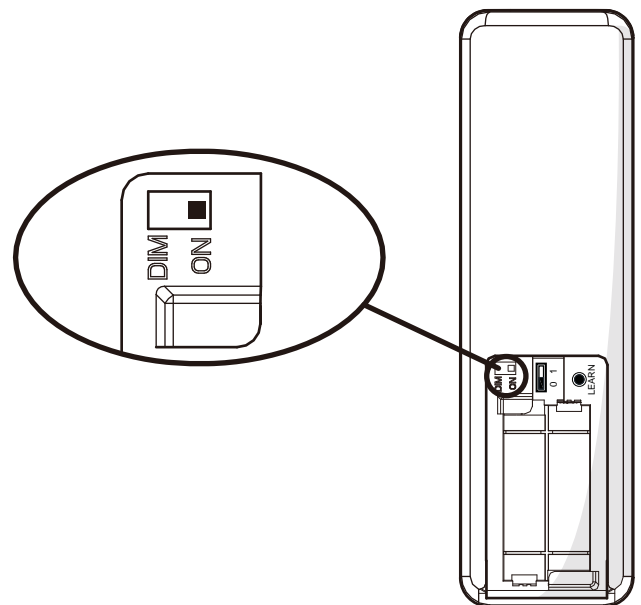


NOTE: The battery will weaken with age and should be replaced before leaking takes place as this will damage the remote control. Dispose of used battery properly and keep the battery out of the reach of children.




NOTE: The switch marked ON/DIM controls the dimming function of the lights: If using non-dimmable bulbs, use a ballpoint pen or small screwdriver to set the switch to ON to disable the dimming function. If using dimmable bulbs, set the switch to DIM to enable the dimming function.

- Remove the battery cover by pressing firmly on the arrow and sliding the cover off.
- If your fan is equipped with a light kit and using dimmable bulbs, slide the dip switch from “on” to “dim” (for non-dimmable bulbs, the dip switch must be set to “on”).
- Install two 1.5V AAA batteries (included).
- Replace the battery cover on the remote control.




Operating Your Fan and Remote Control

1. **Fan  button.** - Press and release the  button to turn the fan on or off.

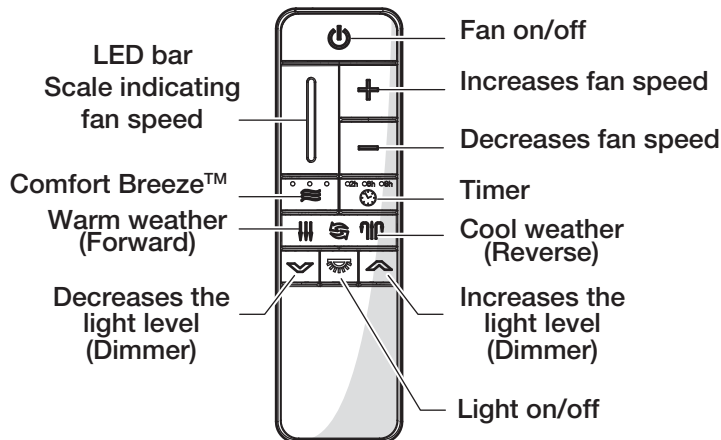
- Fan on. The fan memory function will resume the speed set on the fan prior to the power being turned off. The LED bar will display the current settings for 5 seconds after the button is released.
- Fan off. The fan memory function will store the current setting for the next time the fan is in use.



Note: If you are currently using Comfort Breeze™ mode, pressing the  button will cancel Comfort Breeze™ mode and resume normal fan operation.



Note: You must turn the fan on prior to using the timer function.



2. Speed functions

+ button, increases the fan speed

- Pressing and releasing the + button one time will increase the speed of the fan. Each setting increase will cause the LED bar to illuminate slightly more, until the fan has reached the maximum speed setting, at that time the LED bar will be fully illuminated.
- Pressing and holding the + button will increase the fan speed automatically through the speed settings and the increments will be denoted on the LED bar. When the LED bar is fully illuminated, the fan has reached maximum speed setting.
- Pressing the + button while in Comfort Breeze™ mode will automatically cancel the Comfort Breeze™ mode and resume normal fan operation.

- button, decreases fan speed

- Pressing and releasing the - button one time will decrease the speed of the fan. Each setting decrease will cause the LED bar to dim slightly more, until the fan has reached the minimum speed setting. At that time the LED bar will be approximately 25% illuminated.
- Pressing and holding the - button will decrease the fan speed automatically through the speed settings and the increments will be denoted on the LED bar. When the LED bar is 25% illuminated, the fan has reached the minimum speed setting.
- Pressing the - button while in Comfort Breeze™ mode will automatically cancel the Comfort Breeze™ mode and resume normal fan operation.

3. Comfort Breeze™

There are three Comfort Breeze™ settings. Pressing the button will activate the Comfort Breeze™ mode and LED bar will illuminate slowly from bottom to top to display the current setting.

- Setting 1: Alternates through speeds 1 – 3, the LED bar should fill approximately 33%.
- Setting 2: Alternates through speeds 1 – 6, the LED bar should fill approximately 66%.
- Setting 3: Alternates through speeds 1 – 9, the LED bar should be fully illuminated.





Operating Your Fan and Remote Control

4. Timer ⌚

- Pressing the timer button will automatically turn fan and light (if light is on) off after 2, 4, or 8 hours. When you activate the timer mode, the LED to the left of the time above the clock will illuminate.





5. Fan reverse button (Must be pushed when the fan is in operation)

- Warm weather:  LED bar will illuminate and the lights will flow from high to low.
- Cool weather:  LED bar will illuminate and the lights will flow from low to high.

6. Light (If your fan is equipped with a light kit)

- Press and release the light button to turn the light on or off
- Light on: The fan memory function will resume the light setting (on or off and dim) on the fan prior to the power being turned off.

7. Dimmer. (If your fan is equipped with a light kit)

- Press  to increase the desired light level.
- Press  to decrease the desired light level.

Remote Control - Your fan is equipped with a remote control to operate the speed and lights of your new ceiling fan.

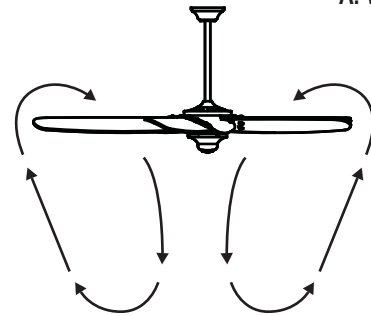
Speed setting for warm or cool weather depend on factors such as the room size, ceiling height, number of fans and so on.

A. Warm weather - (Forward) A downward airflow creates a cooling effect.

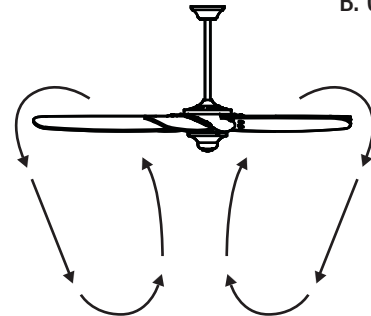
This allows you to set your air conditioner on a higher setting without affecting your comfort.

B. Cool weather - (Reverse) An upward airflow moves warm air off of the ceiling. This allows you to set your heating unit on a lower setting without affecting your comfort.

A. Warm weather



B. Cool weather



NOTE: Do not wait for the fan to stop before pressing the reverse button. The fan will not reverse direction if the fan is not moving.

Care and Cleaning



WARNING: Make sure the power is off before cleaning your fan.

- Because of the fan's natural movement, some connections may become loose. Check the support connections, brackets, and blade attachments twice a year. Make sure they are secure. It is not necessary to remove the fan from the ceiling.
- Clean your fan periodically to help maintain its new appearance over the years. Do not use water when cleaning, as this could damage the motor, or the wood, or possibly cause an electrical shock. Use only a soft brush or lint-free cloth to avoid scratching the finish.
- You can apply a light coat of furniture polish to the wood for additional protection and enhanced beauty. Cover small scratches with a light application of shoe polish.
- You do not need to oil your fan. The motor has permanently-lubricated sealed ball bearings.

Troubleshooting

Problem	Solution
The fan will not start	<ul style="list-style-type: none">□ Check the main and branch circuit fuses or breakers.□ Check the line wire connections to the fan and switch wire connections in the switch housing.□ Check the battery in the remote control.□ Ensure you are in the normal range of 10-20 feet.□ Remember to turn off the power supply before checking the dip switch settings.
The fan is noisy	<ul style="list-style-type: none">□ Ensure all motor housing screws are snug.□ Ensure the screws that attach the fan blade bracket to the motor hub are tight.□ Ensure the wire nut connections are not rattling against each other or the interior wall of the switch housing.□ Allow a 24-hour "breaking in" period. Most noises associated with a new fan disappear during this time.□ If you are using the Ceiling Fan light kit, ensure the screws securing the glassware are tight. Check that the light bulbs are also secure.□ Ensure the canopy is a short distance from the ceiling. It should not touch the ceiling.□ Ensure your outlet box is secure and rubber isolator pads were used between the mounting plate and outlet box.
The fan wobbles	<ul style="list-style-type: none">□ Check that all blade and blade arm screws are secure.□ Most fan wobble problems are caused when blade levels are unequal. Check this level by selecting a point on the ceiling above the tip of one of the blades. Measure from a point on the center of the blade to the point on the ceiling. Rotate the fan until the next blade is positioned for measurement, and measure from the same point on each blade to the ceiling. Repeat for each blade. Any measurement deviation should be within 1/8 in. Run the fan for ten minutes. If the fan continues to wobble please contact Home Decorators Collection Customer Service and a balancing kit will be sent to you at no charge.
The fan moves backwards and forwards when turned on	<ul style="list-style-type: none">□ This is normal start-up procedure for DC motor fans. The partial movement during start-up is the result of the DC motor aligning the internal magnetic poles for proper motor operation. This design saves electricity and allows the fan to operate much quieter than standard AC motor fans.

HOME DECORATORS COLLECTION

Questions, problems, missing parts? Before returning to the store,
call Home Depot Customer Service
8 a.m. - 7 p.m., EST, Monday-Friday, 9 a.m. - 6 p.m., EST, Saturday

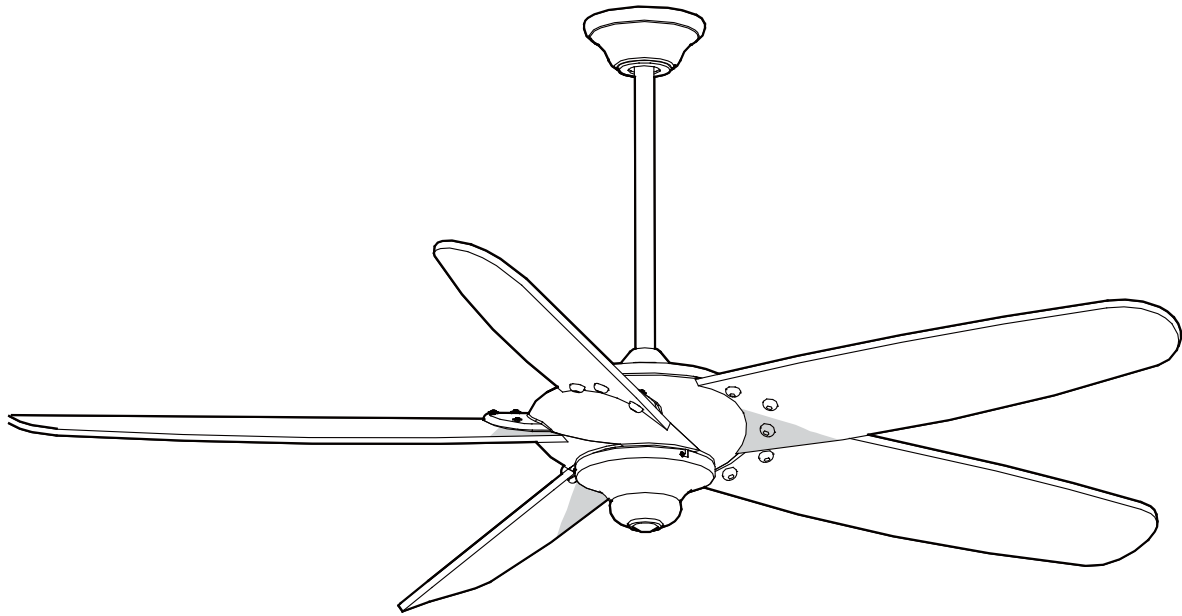
1-800-986-3460

[HOMEDEPOT.COM/HOMEDECORATORS](https://www.homedepot.com/homedecorators)

Retain this manual for future use.

GUÍA DE USO Y MANTENIMIENTO

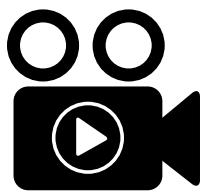
VENTILADOR DE TECHO ALTURA, DE 1.7 M



¿Preguntas, problemas o piezas faltantes? Antes de devolver a la tienda, llama al Servicio al Cliente de Home Decorators Collection, de lunes a viernes, entre 8:00 a.m. y 7:00 p.m. (Hora Estándar del Este), y los sábados de 9:00 a.m. a 6:00 p.m. (Hora Estándar del Este).

1-800-986-3460

HOMEDPOT.COM/HOMEDECORATORS



Para ver un video instructivo sobre cómo instalar este producto:

1. Ir a www.homedepot.com e introduzca el artículo o el número de modelo, que se encuentra en la part superior esquina derecha de la portada de este manual de instrucciones, en el campo de búsqueda.
2. Haga clic en su producto de la lista de resultados de búsqueda y hacer clic en el enlace del video en el la sección "Descripción del producto".

GRACIAS POR TU COMPRA

Apreciamos la confianza que has depositado en Home Decorators Collection al comprar este ventilador de techo. Nos esforzamos en crear continuamente productos de calidad diseñados para mejorar tu hogar. Visítanos por Internet para ver nuestra línea completa de productos disponibles con vistas a las necesidades de mejoras de tu hogar. ¡Gracias por elegir Home Decorators Collection!

Tabla de contenido

Tabla de contenido	2	Ensamblaje.....	7
Información de seguridad.....	2	Funcionamiento	13
Garantía	3	Mantenimiento y limpieza.....	15
Preinstalación	3	Solución de problemas	15
Instalación.....	6		

Información de seguridad

LEE Y GUARDA ESTAS INSTRUCCIONES.

1. Para disminuir el riesgo de descarga eléctrica, asegúrate de cortar la electricidad en el cortacircuitos o la caja de fusibles antes de comenzar.
2. Todo el cableado tiene que cumplir con el Código Nacional de Electricidad ANSI/NFPA 70 y los códigos locales de electricidad. La instalación eléctrica debe realizarse por un electricista certificado y calificado.
3. La caja eléctrica y la estructura de soporte tienen que montarse de forma segura y ser capaces de sostener con fiabilidad un mínimo de 50 lb (22.7 kg). Usa solamente cajas eléctricas aprobadas por UL y marcadas como “apropiada para sostener ventiladores de 50 lb (22.7 kg) o menos”.
4. El ventilador tiene que montarse con un mínimo de 2.1 m de separación entre el borde trasero de las aspas y el piso.
5. No coloques objetos en la trayectoria de las aspas.
6. Para evitar lesiones personales o daños al ventilador y otros artículos, ten cuidado al limpiarlo o al trabajar alrededor de él.
7. Después de concluir las conexiones eléctricas, debes voltear los conductores empalmados hacia arriba y meterlos con cuidado en la caja eléctrica. Los cables deben estar separados con el cable a tierra y el conductor a tierra del equipo a un lado de la caja eléctrica.
8. Todos los tornillos colocados tienen que verificarse y ajustarse donde sea necesario antes de la instalación.



ADVERTENCIA: Para reducir el riesgo de lesiones personales, no dobles los soportes de las aspas (también llamados “bridas”) durante el ensamblaje ni después de la instalación. No coloques objetos en la trayectoria de las aspas.



ADVERTENCIA: Para reducir el riesgo de incendio o descarga eléctrica, no utilices este ventilador con ningún dispositivo de control de velocidad de estado sólido.



ADVERTENCIA: Para evitar una posible descarga eléctrica, desconecta la electricidad de la caja de fusibles principal antes del cableado. Si crees que no tienes suficiente conocimiento o experiencia sobre cableado eléctrico, contacta a un electricista certificado.



ADVERTENCIA: Para reducir el riesgo de incendio, descarga eléctrica o lesiones personales, instala solo en una caja eléctrica clasificada como “apropiada para sostener ventiladores de 50 lb (22.7 Kg) o menos” y usa los tornillos que vienen con ella.



ADVERTENCIA: Los diagramas eléctricos son tan solo para referencia. Si usas un kit de luces, consulta el manual de instrucciones del kit para hacer las conexiones eléctricas. Cualquier juego de luces opcional deberá estar aprobado por UL y marcado como adecuado para usar con este ventilador.



ADVERTENCIA: Para disminuir el riesgo de incendio o descarga eléctrica este ventilador sólo debe usarse con control de velocidad (pieza núm. RH786NR) fabricado por Rhine.



PRECAUCIÓN: Para reducir el riesgo de lesiones personales, usa solo los tornillos incluidos con la caja eléctrica.



PRECAUCIÓN: Los cambios o modificaciones sin previa aprobación expresa de la parte responsable de su cumplimiento podrían anular el derecho del usuario a operar el equipo.

Este equipo ha sido comprobado y se determinó que cumple con los límites establecidos para un dispositivo digital Clase B, de acuerdo con la Parte 15 de las Normas de la FCC. Estos límites fueron establecidos para ofrecer protección razonable contra la interferencia dañina durante uso residencial. Este equipo genera, usa y puede irradiar energía de radiofrecuencia; si no se instala y usa de acuerdo con las instrucciones, puede causar interferencia dañina a comunicaciones radiales. Sin embargo, no hay garantía de que no ocurrirá interferencia en una instalación particular. Si este equipo causa interferencia que perjudica la recepción de radio o televisión, lo cual puede determinarse encendiendo y apagando el equipo, se recomienda al usuario que trate de corregir la interferencia con una o más de las siguientes medidas:

- Reorientar o reubicar la antena receptora.
- Incrementar la distancia entre los equipos y el receptor.
- Conectar el equipo a un tomacorriente en circuito distinto al que el receptor está conectado.
- Consultar al distribuidor o algún técnico de Radio/TV con experiencia.

PRECAUCIÓN:

Los cambios o modificaciones sin aprobación expresa del garante de este dispositivo podrían anular el derecho del usuario a operar el equipo.

Este dispositivo cumple con la Parte 15 de las Normas de FCC. Su operación está sujeta a las dos condiciones siguientes:

- (1) este dispositivo no causa una interferencia dañina, y
- (2) este dispositivo tiene que aceptar cualquier interferencia recibida, incluyendo aquella que pueda causar un funcionamiento no deseado.

Garantía

El proveedor garantiza de por vida, a partir de la fecha de adquisición por el comprador original, que el motor del ventilador no presenta defectos de fabricación ni de materiales al momento del envío desde la fábrica. El proveedor también garantiza, por un período de tres años a partir de la fecha de adquisición por el comprador original, que todas las demás piezas del ventilador, sin incluir aspas de vidrio o acrílico, no presentarán ningún defecto de fabricación ni de material al momento del envío desde la fábrica. Si el producto es devuelto, aceptamos reparar sus defectos sin cargo alguno o, a nuestra discreción, reemplazarlo por un modelo similar o superior. Para obtener servicio de garantía tiene que presentarse una copia del recibo como comprobante de compra. Todos los costos de retiro y reinstalación del producto correrán por tu cuenta. No están cubiertos bajo esta garantía los daños a cualquier pieza por accidente, instalación o uso incorrectos, ni por instalación de cualquier accesorio. Puesto que las condiciones climáticas pueden variar, esta garantía no cubre ningún cambio en el acabado en bronce, incluyendo óxido, perforación, corrosión, manchas o descascamiento. Este tipo de acabado en latón provee la vida útil más larga al proteger contra condiciones climáticas cambiantes. Cierta "oscilación" es normal y no debe considerarse un defecto. Cualquier servicio prestado por personal no autorizado invalidará la garantía. No hay ninguna otra garantía expresa. Por este medio y en el alcance permitido por la ley, Home Decorators Collection queda exento de todas y cada una de las garantías, incluyendo, pero sin limitación, aquellas de comercialización e idoneidad para determinado propósito. La duración de cualquier garantía implícita que no pueda eximirse está limitada al período especificado en la garantía explícita. Algunos estados no permiten limitar la duración de la garantía, así que la limitación anterior pudiera no aplicarse a su caso. El minorista no será responsable por daños directos, indirectos ni especiales que resulten o deriven del uso o funcionamiento del producto, excepto en los casos estipulados por la ley. Algunos estados no permiten excluir ni limitar daños directos o indirectos, así que la limitación o exclusión anterior pudiera no aplicarse a su caso. Esta garantía otorga derechos legales específicos y es posible que usted tenga también otros derechos, que varían de un estado a otro. Esta garantía sustituye todas las garantías anteriores. El cliente tiene que pagar los costos de envío de cualquier devolución de productos como parte de reclamación de garantía.

Comuníquese con el equipo de servicio al cliente por el teléfono 1-800-986-3460 o visite www.HOMEDEPOT.COM/HOMEDECORATORS.

Preinstalación

ESPECIFICACIONES

Tamaño	Velocidad	Voltios	Consumo de energía del ventilador (sin luces) WATT	Flujo de aire CFM	Eficiencia de flujo de aire (Mientras más alta, mejor) CFM/WATT	Peso neto	Peso bruto	Pies cúbicos
1.7 m	Bajo	120	3	3679	1226	23.81 lb (10.8 Kg)	28.88 lb (13.1 Kg)	3.53 pies ³ (0.1 m ³)
	Medio		11	6790	617			
	Alto		32	9553	298			



NOTA: Estas medidas son aproximadas. No incluyen ni el amperaje ni el vataje consumido por el kit de luces.



Preinstalación (continuación)

HERRAMIENTAS NECESARIAS



Destornillador
Phillips



Destornillador
plano



Llave
ajustable



Cinta de
electricista



Cortacables /
pelacables

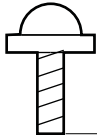


Escalera de tijera

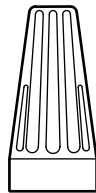
SE INCLUYEN HERRAJES



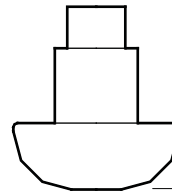
NOTA: Los herrajes no se muestran en tamaño real.



AA



BB

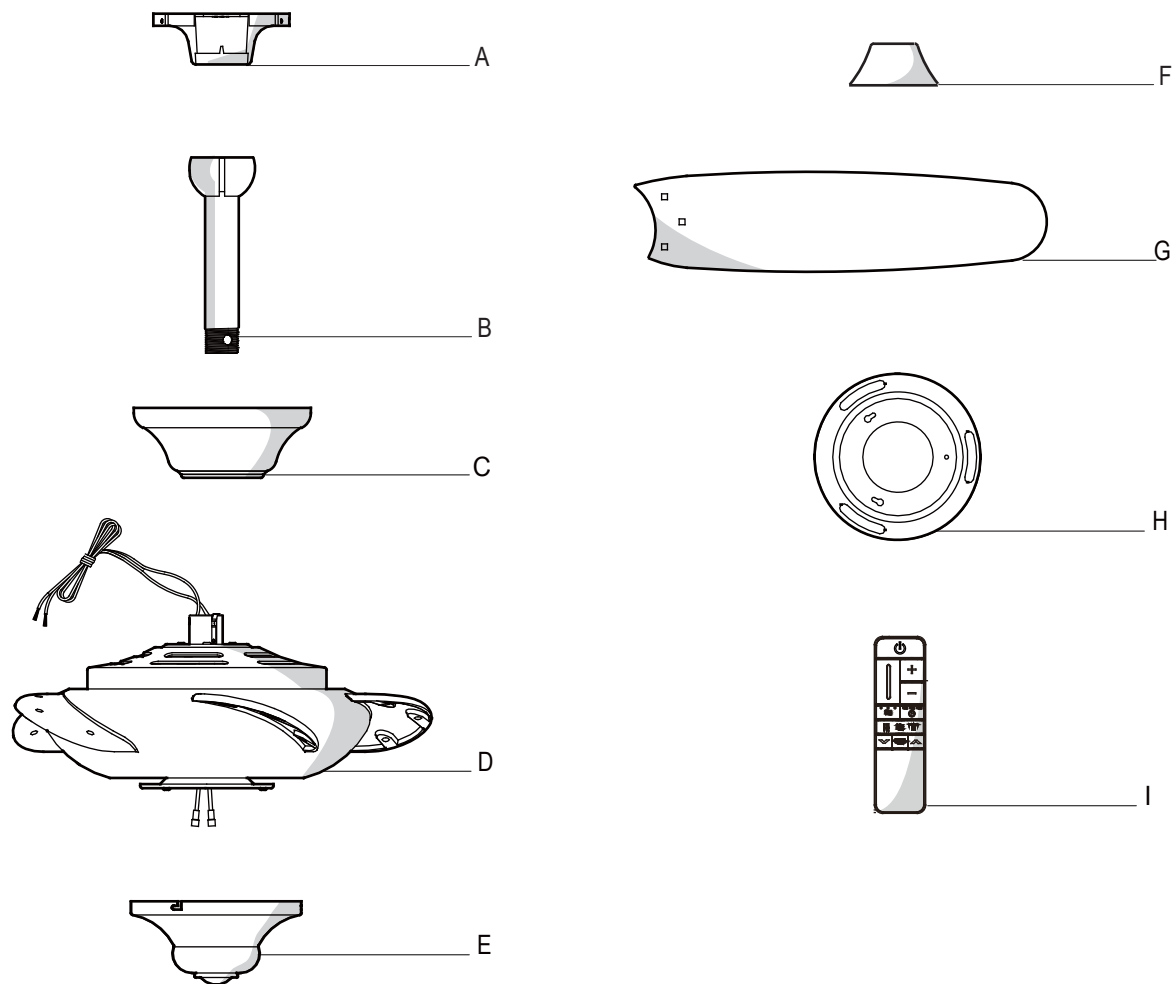


CC

Pieza	Descripción	Cantidad
AA	Tornillos para montaje de aspas	15
BB	Tuerca de plástico para conectar cables	3
CC	Tuerca decorativa	15

Preinstalación (continuación)

CONTENIDO DEL PAQUETE



Pieza	Descripción	Cantidad
A	Soporte de montaje deslizante (dentro de la cubierta)	1
B	Conjunto de tubo bajante/bola	1
C	Cubierta con su anillo incorporado	1
D	Conjunto del motor y el ventilador	1

Pieza	Descripción	Cantidad
E	Caja del interruptor	1
F	Cubierta decorativa del collarín del motor	1
G	Aspa	5
H	Adaptador de la caja del interruptor	1
I	Transmisor (incluye batería)	1



IMPORTANTE: Este producto o sus componentes están protegidos por una o más de las siguientes patentes de los EE.UU.: 5,947,436; 5,988,580; 6,010,110; 6,046,416, 6,210,117, así como otras patentes pendientes.

Instalación

OPCIONES DE MONTAJE

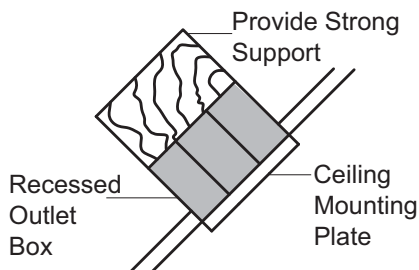
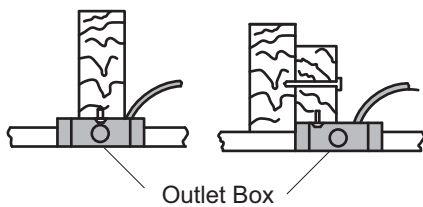
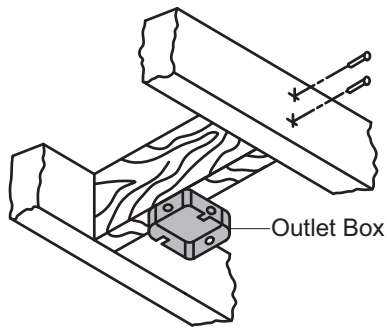


ADVERTENCIA: Para reducir el riesgo de incendio, descarga eléctrica o lesiones personales, instala solo en una caja eléctrica clasificada como "apropiada para sostener ventiladores de 50 lb (22.7 Kg) o menos" y usa los tornillos que vienen con ella. Las cajas eléctricas utilizadas comúnmente para el soporte de lámparas pueden no servir como soporte de ventilador y tal vez deban reemplazarse. En caso de duda, consulta a un electricista calificado.

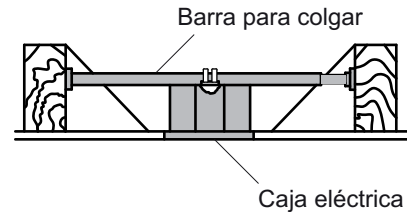
Si tu ventilador de techo no tiene una caja de montaje aprobada por UL, instala una de acuerdo con las siguientes instrucciones:

- Desconecta la energía eléctrica retirando los fusibles o apagando los cortacircuitos.
- Asegura la caja eléctrica directamente a la estructura de la edificación. Usa los sujetadores y materiales apropiados. La caja eléctrica y su soporte deben poder sostener el peso completo del ventilador en movimiento (al menos 22.7 kg). No uses una caja eléctrica de plástico.

Las ilustraciones más abajo muestran tres formas distintas de montar la caja eléctrica.



NOTA: Tal vez necesites un tubo bajante más largo para mantener la altura mínima adecuada de las aspas al instalar el ventilador en un techo inclinado. El ángulo máximo permitido es 30° con respecto a la horizontal.

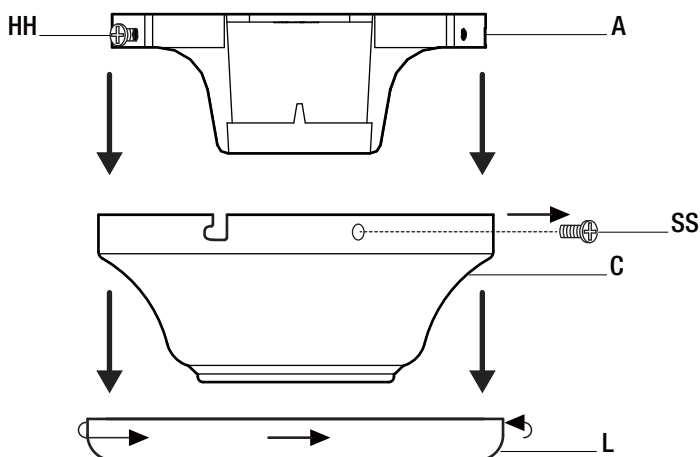


Si la cubierta toca el tubo bajante, retira la tapa inferior decorativa de la cubierta y gira la cubierta 180° antes de fijarla a la placa de montaje. Para colgar el ventilador donde hay una lámpara, pero ninguna viga de techo, tal vez necesites una barra para colgar como se muestra más arriba (disponible en cualquier tienda de The Home Depot).

Ensamblaje - Montaje estándar en techo

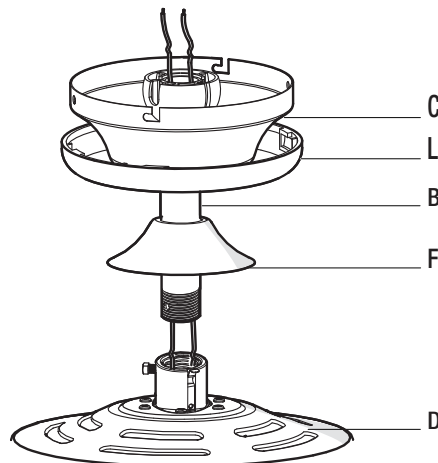
1 Cómo preparar el montaje

- Retira el aro de la cubierta (L) de esta (C), girándolo a la derecha hasta liberarlo.
- Retira el soporte de montaje (A) de la cubierta (C) aflojando los dos tornillos (HH) ubicados en las ranuras en forma de L.
- Quita y guarda los dos tornillos sin ranura (SS) en los orificios redondos. Esto te permitirá retirar el soporte de montaje (A).



2 Cómo tender los cables

- Coloca los cables que salen de la parte superior del motor del ventilador (D) dentro de la cubierta decorativa del collarín del motor (F) y a través del anillo de la cubierta (L).
- Asegúrate de que las aberturas de ranura estén en la parte superior y pasa los cables, primero a través de la cubierta (C) y luego a través del conjunto de tubo bajante/bola (B).



3 Cómo ensamblar el ventilador

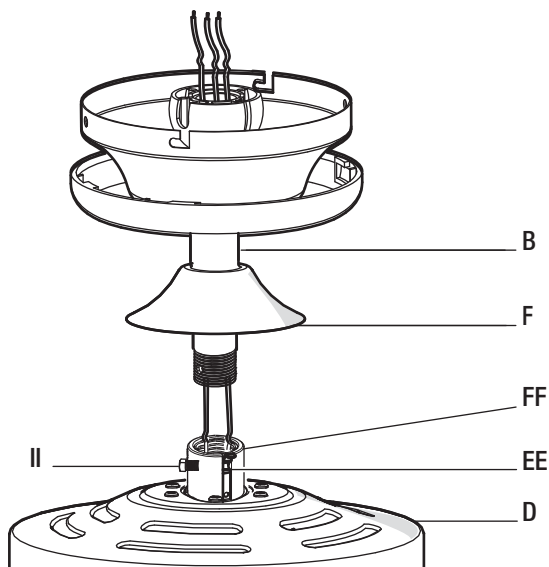


PRECAUCIÓN: Para asegurarte de que no haya oscilación y evitar dañar el ventilador, el tubo bajante (B) y el tornillo de fijación (II) tienen que quedar completamente ajustados.



NOTA: Este ventilador está equipado con una pestaña de seguridad (EE). Si el tornillo de fijación (II) se afloja mientras el ventilador está funcionando en reversa, la pestaña de seguridad (EE) se enganchará y evitará que el ventilador caiga.

- Afloja, pero no quites, el tornillo de fijación (II) girándolo en sentido contrario a las manecillas del reloj.
- Instala el tubo bajante (B) insertándolo en el collarín del motor (FF) y girándolo en el sentido de las manecillas del reloj hasta que quede apretado.
- Vuelve a apretar, girando hacia la derecha, el tornillo de fijación (II) del collarín del motor (FF) en la parte superior del conjunto del motor y el ventilador (D).



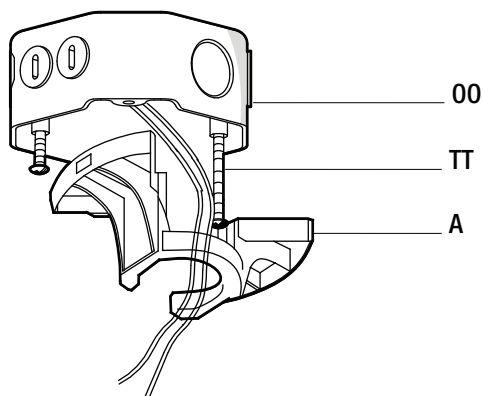
Ensamblaje - Cómo colgar el ventilador

1 Cómo fijar el ventilador a la caja eléctrica



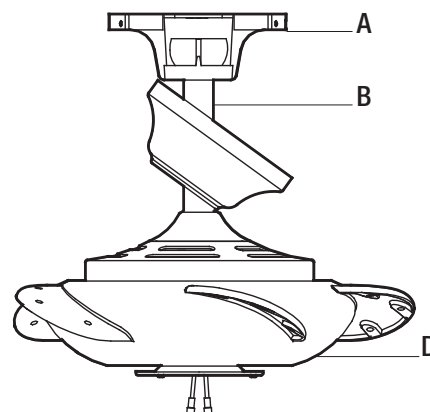
ADVERTENCIA: Para reducir el riesgo de incendio, descarga eléctrica o lesiones personales, instala solo en una caja eléctrica clasificada como "apropiada para sostener ventiladores de 50 lb (22.7 Kg) o menos" y usa los tornillos que vienen con ella.

- Pasa los cables de suministro de 120 V a través del orificio central en el soporte de montaje (A).
- Instala el soporte de montaje de techo (A) sobre la caja eléctrica (OO) deslizando el soporte (A) sobre los dos tornillos (TT) suministrados con la caja eléctrica (OO). Si es necesario, usa arandelas niveladoras (no incluidas) entre el soporte de montaje (A) y la caja eléctrica (OO). Fíjate que el lado plano del soporte de montaje (A) esté hacia la caja eléctrica (OO).
- Ajusta firmemente los dos tornillos de montaje (TT).



2 Cómo colgar el ventilador

- Levanta con cuidado el conjunto del motor y el ventilador (D) hasta el soporte de montaje (A).
- Coloca la bola de soporte del conjunto del tubo bajante/bola (B) en el casquillo del soporte de montaje (A). Asegúrate de que la pestaña sobre el casquillo del soporte de montaje (A) encaje bien dentro de la ranura de la bola de soporte.



Ensamblaje - Cómo colgar el ventilador (continuación)

3 Cómo hacer las conexiones eléctricas



ADVERTENCIA: Cada cable no suministrado con este ventilador está diseñado para aceptar hasta un cable eléctrico doméstico calibre 12 y dos cables del ventilador. Si tienes cableado doméstico de calibre mayor de 12 o más de un cable doméstico para conectar al cableado del ventilador, consulta a un electricista para el tamaño apropiado de las tuercas de cable que deben usarse.



IMPORTANTE: Usa los conectores de cables plásticos (BB) incluidos con tu ventilador. Sujeta los conectores con cinta de electricista y asegura que no haya conexiones ni cables sueltos.

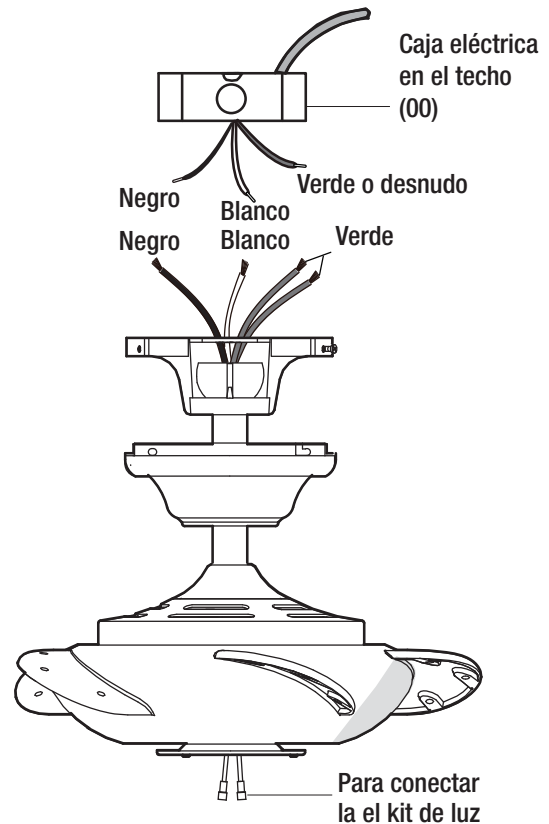


NOTA: El ventilador viene con cables terminales de 198 cm para usar con un conjunto extendido de tubo bajante/bola. Si usas el conjunto de tubo bajante/bola (B) de 45.7 cm (incluido), puedes recortar los cables terminales al largo deseado.



NOTA: Las aspas deben ser instaladas antes de poner el funcionamiento el ventilador. Si las aspas no están instaladas, el motor no funcionará correctamente.

- El ventilador viene con cables terminales de 198 cm para usar con un conjunto extendido de tubo bajante/bola. Si usas el conjunto de tubo bajante/bola (B) de 45.7 cm (incluido), puedes recortar los cables terminales al largo deseado. Esto dejará más espacio en la cubierta (C). Si no quieres cortar los cables, deberás enrollarlos cuidadosamente.
- Conecta los cables verdes del motor del ventilador a los cables verde o pelado del hogar usando una tuerca de conexión de cables (BB).
- Conecta el cable blanco del motor del ventilador al cable blanco del hogar usando una tuerca de conexión de cables (BB).
- Conecta el cable negro del motor del ventilador al cable negro del hogar usando una tuerca de conexión de cables (BB).
- Asegura cada tuerca de conexión de cables con cinta de electricista.
- Gira las tuercas de conexión del cable (BB) hacia arriba y coloca el cableado dentro de la caja eléctrica (OO).



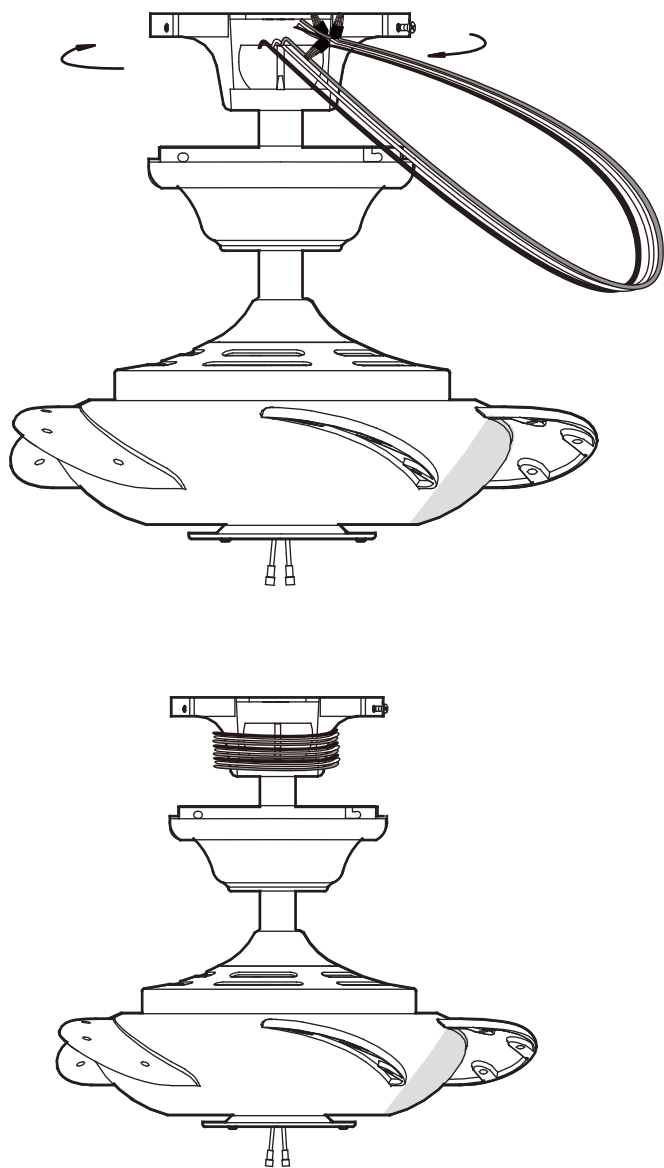
Ensamblaje - Cómo colgar el ventilador (continuación)

4 Cómo enroscar el cable sobrante



NOTA: Sigue estos pasos SOLO si no cortaste el cable sobrante del ventilador de techo.

- Con cuidado, enrolla el exceso de cable alrededor del soporte de montaje.
- Asegura con cinta de electricista.



5 Cómo montar el conjunto del motor y el ventilador (montaje estándar)

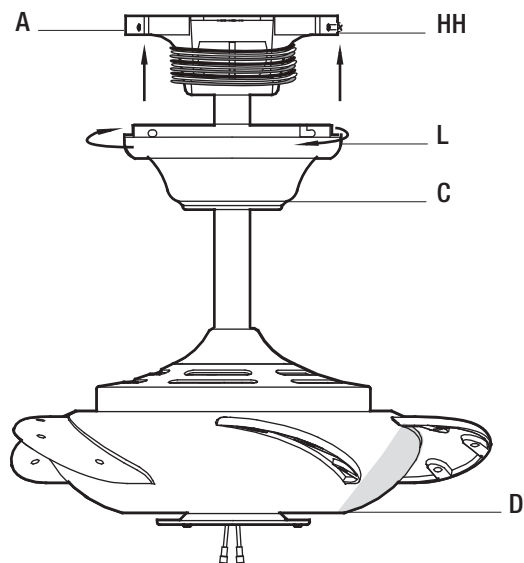


ADVERTENCIA: Cuando uses el montaje estándar del tubo bajante/bola, la pestaña en el aro en la parte inferior del soporte de montaje tiene que encajar en la ranura de la bola de soporte. Si la pestaña no se asienta correctamente en la ranura, se puede dañar el cableado.



ADVERTENCIA: Las ranuras de cierre de la cubierta del techo solo sirven de ayuda durante la instalación. No dejes suelto el conjunto del ventilador hasta que los cuatro tornillos de la cubierta estén fijados y firmemente apretados.

- Alinea las ranuras de cierre de la cubierta de techo (C) con los dos tornillos (HH) del soporte de montaje deslizante (A). Empuja hacia arriba para enganchar las ranuras y gira hacia la derecha para asegurar la cubierta (C) en su lugar.
- Ajusta firmemente los dos tornillos de montaje (HH).
- Instala los dos tornillos de montaje (guardados en el paso 1 del ensamblaje, "Cómo preparar la instalación") en los orificios de la cubierta (C) y apriétalos firmemente.
- Instala el aro de la cubierta decorativa (L) alineando las ranuras del aro con los tornillos en la cubierta (C). Rota el anillo de la cubierta (L) en sentido contrario a las manecillas del reloj para fijarlo.



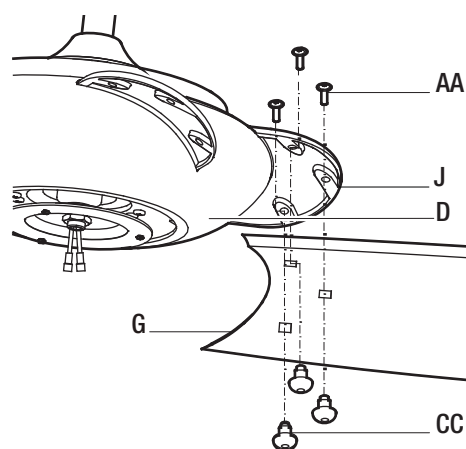
Ensamblaje - Cómo colgar el ventilador (continuación)

6 Cómo fijar las aspas del ventilador



NOTA: Las aspas deben ser instaladas antes de poner el funcionamiento el ventilador. Si las aspas no están instaladas, el motor no funcionará correctamente.

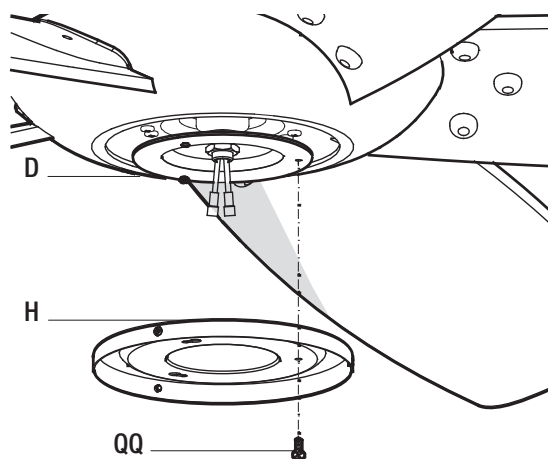
- Monta un aspa (G) en su soporte (J) usando las tuercas decorativas (CC) y los tornillos de montaje (AA) incluidos. Inserta un tornillo de montaje de aspa (AA) a través del orificio del aspa (G), el soporte de ella (J) y una tuerca decorativa (CC). Repite el procedimiento con los otros dos orificios restantes del aspa (G).
- Aprieta firmemente todos los tornillos (AA).
- Repite estos pasos para ensamblar las aspas restantes.



Ensamblaje – Cómo montar los accesorios

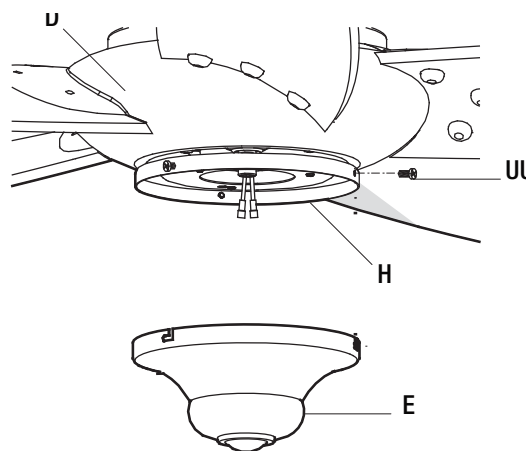
1 Cómo instalar el adaptador de la caja del interruptor

- Quita un tornillo (QQ) del soporte negro debajo del conjunto del motor y el ventilador (D). Afloja los otros dos tornillos, sin quitarlos.
- Alinea los orificios de las ranuras en el adaptador de la caja del interruptor (H) con los dos tornillos en el soporte negro.
- Gira el adaptador de la caja del interruptor (H) de izquierda a derecha hasta que los dos tornillos estén colocados en el extremo angosto de los orificios.
- Reinstala el tornillo (QQ) que retiraste en el primer paso. Aprieta firmemente los tres tornillos.



2 Cómo instalar la caja del interruptor

- Quita un tornillo (UU) del lado del adaptador de la caja del interruptor (H). Afloja, pero no quites, los otros dos tornillos (UU).
- Alinea los orificios en forma de "L" en la caja del interruptor (E) con los tornillos en el adaptador de la caja (H). Gira la caja del interruptor (E) para fijarla en su lugar.
- Instala el otro tornillo (UU) que retiraste en el primer paso. Aprieta firmemente los tres tornillos (UU).



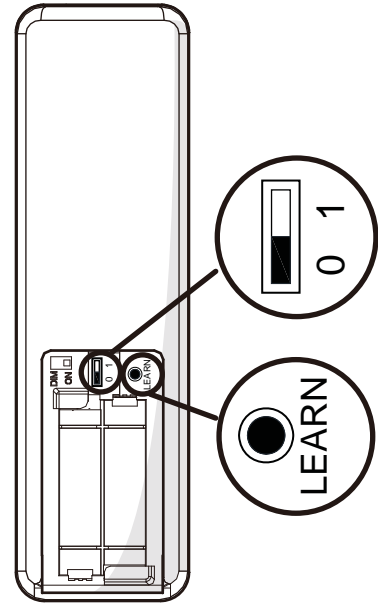
Cómo preparar el control remoto

Cómo emparejar el control remoto



NOTA: El control remoto ya ha sido emparejado con el ventilador de techo para tu conveniencia. Si tienes dos ventiladores del mismo modelo en tu casa, sigue los pasos a continuación para controlar cada ventilador de forma independiente.

- ❑ Desliza el interruptor en el compartimiento de la batería a la configuración "1".
- ❑ Verifica que el suministro de electricidad al ventilador haya sido cortado en el interruptor de pared o en el cortacircuitos.
- ❑ Restablece el suministro de electricidad al ventilador en el interruptor de pared o en el cortacircuitos.
- ❑ Oprime y suelta el botón "Learn" (Aprender) ubicado en el compartimiento de la batería antes de que pasen 30 segundos.
- ❑ Si el emparejamiento es exitoso, el kit de luces del ventilador mostrará un destello de luz (si corresponde) y las aspas comenzarán a girar.



Cómo configurar la función de luces en tu control remoto

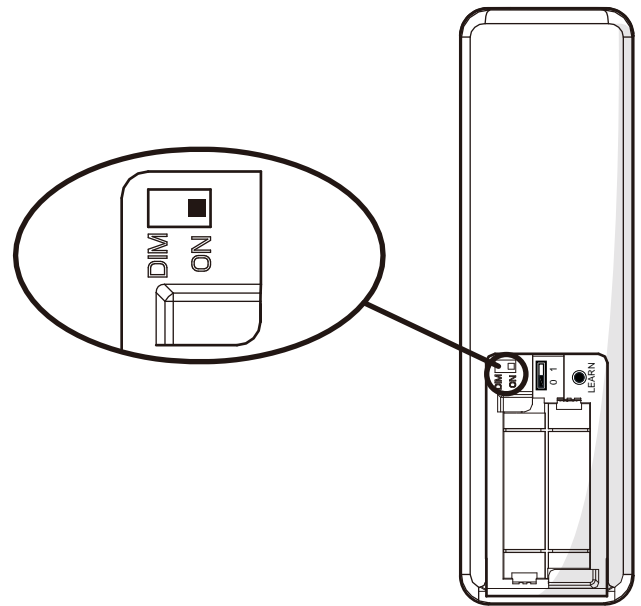


NOTA: La batería se debilitará con el tiempo y deberá ser reemplazada antes de que se produzca alguna fuga, ya que esto dañará el control remoto. Mantén la batería fuera del alcance de los niños y deséchala adecuadamente tras completar su uso.





NOTA: El interruptor marcado con *ON/DIM* (Encendido/Regulación) controla la función de regulación de intensidad de las luces: Si usas bombillas no regulables, emplea un bolígrafo de punta redonda o un destornillador pequeño para configurar el interruptor a la posición *ON* (Encendido) a fin de desactivar la función de regulación de intensidad. Si usas bombillas regulables, configura el interruptor en la posición *DIM* para activar la función de regulación de intensidad.


- ❑ Quita la cubierta de la batería presionando con firmeza en la flecha y deslizando la cubierta hasta sacarla.
- ❑ Si tu ventilador posee un kit de luces y usa bombillas regulables, desliza el interruptor desde la posición "on" (encendido) a "dim" (regulación) (para bombillas no regulables, el interruptor debe estar en la posición "on").
- ❑ Instala dos baterías AAA de 1.5 V (incluidas).
- ❑ Coloca de nuevo la cubierta en el control remoto.



Cómo usar tu ventilador y control remoto

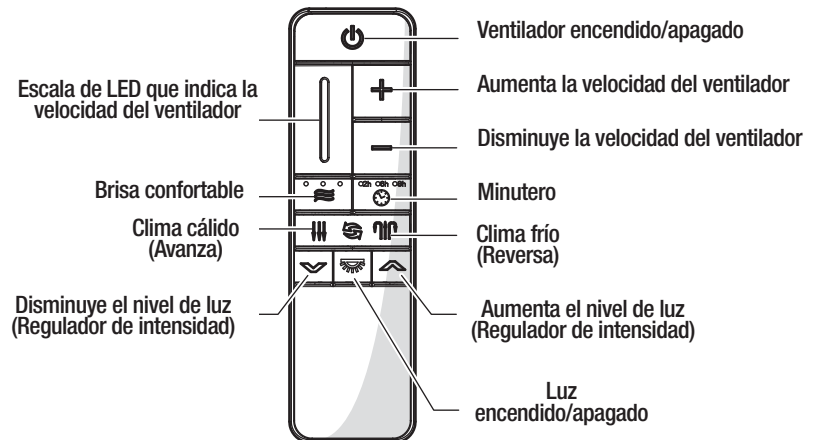
- Botón  del ventilador.** Presiona y suelta el  botón para encender o apagar el ventilador.
 - Ventilador encendido. La función de memoria del ventilador reiniciará la velocidad configurada antes de cortarse el suministro de electricidad. La barra de luz LED mostrará la configuración actual durante 5 segundos después que sueltes el botón.
 - Ventilador apagado. La función de memoria del ventilador almacenará la configuración actual para la próxima vez que entre en uso.



Nota: Si estás usando el modo Comfort Breeze™, al presionar el botón  se cancelará el modo y el ventilador reiniciará su funcionamiento normal.



Nota: Tienes que encender el ventilador antes de usar la función del temporizador.



2. Funciones de velocidad


El botón + aumenta la velocidad del ventilador

- Al presionar y soltar el botón + una vez, la velocidad del ventilador aumentará. Cada incremento en la configuración hará que la barra de luz LED se ilumine un poco más hasta que el ventilador haya alcanzado la configuración de máxima velocidad; en ese momento, la barra LED estará iluminada completamente.
- Al mantener oprimido el botón + la velocidad del ventilador se incrementará automáticamente a través de la configuración de velocidades y los incrementos se reflejarán en la barra de luz LED. Cuando la barra de luz LED esté completamente iluminada, el ventilador ha alcanzado la configuración de máxima velocidad.
- Si presionas el botón + en el modo Comfort Breeze™, este se cancelará automáticamente y se reiniciará el funcionamiento normal del ventilador.

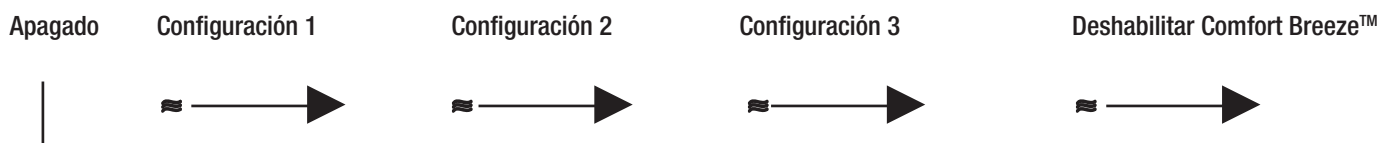
El botón - reduce la velocidad del ventilador

- Al presionar y soltar el botón - una vez, la velocidad del ventilador disminuirá. Cada descenso en la configuración hará que la barra de luz LED disminuya su intensidad un poco más hasta que el ventilador haya alcanzado la configuración de mínima velocidad. En ese momento, la barra LED estará iluminada al 25% aproximadamente.
- Al mantener oprimido el botón - la velocidad del ventilador disminuirá automáticamente a través de la configuración de velocidades y las disminuciones se reflejarán en la barra de luz LED. Cuando la barra de luz LED esté iluminada al 25%, el ventilador ha alcanzado la configuración de mínima velocidad.
- Si presionas el botón - en el modo Comfort Breeze™, este se cancelará automáticamente y se reiniciará el funcionamiento normal del ventilador.

3. Comfort Breeze™

Hay tres configuraciones del modo Comfort Breeze™. Al presionar el botón , se activará el modo Comfort Breeze™ y la barra de luz LED se iluminará lentamente desde abajo hasta arriba para mostrar la configuración actual.

- Configuración 1: Alterna entre las velocidades 1 a 3 y la barra de luz LED deberá iluminarse hasta 33% aproximadamente.
- Configuración 2: Alterna entre las velocidades 1 a 6 y la barra de luz LED deberá iluminarse hasta 66% aproximadamente.
- Configuración 3: Alterna entre las velocidades 1 a 9 y la barra de luz LED deberá iluminarse completamente.



Cómo usar tu ventilador y control remoto

4. Temporizador ☹

- Al presionar el botón "Timer", el ventilador y la luz (si está encendida) se apagarán automáticamente después de 2, 4 u 8 horas. Cuando activas el temporizador, se iluminará la LED a la izquierda del indicador de tiempo sobre el reloj.



5. Botón de reversa del ventilador (Tiene que presionarse cuando el ventilador esté funcionando)

- Clima cálido: ☀ La barra de luz LED se iluminará y las luces irán de alta a baja intensidad.
- Clima frío: ❄ La barra de luz LED se iluminará y las luces irán de baja a alta intensidad.

6. Luz 🌞 (Si tu ventilador está equipado con un kit de luces)

- Oprime y suelta el botón de luces para encender o apagar la luz.
- Luz encendida: La función de memoria del ventilador reiniciará la configuración de luz (encendida, apagada o regulada) antes de cortarse el suministro de energía.

7. Regulador de intensidad. (Si tu ventilador está equipado con un kit de luces)

- Presiona ⬆ para incrementar el nivel de luz deseado.
- Presiona ⬇ para reducir el nivel de luz deseado.

Control remoto - El ventilador está equipado con un control remoto que controla la velocidad y las luces.

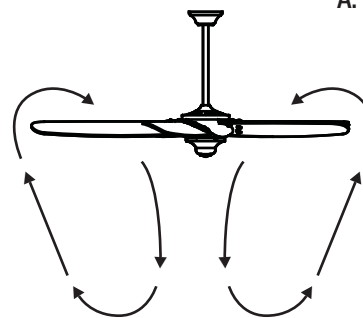
Las configuraciones de velocidad para clima cálido o frío dependen del tamaño de la habitación, la altura del techo, la cantidad de ventiladores y otros factores.

A. Clima cálido: (Hacia adelante) Un flujo de aire descendente surte un efecto refrescante.

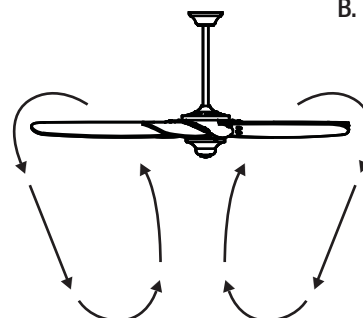
Esto te permite fijar el aire acondicionado en una configuración más alta sin afectar tu comodidad.

B. Clima frío - (Reversa) Un flujo de aire hacia arriba desplaza el aire cálido lejos del cielo raso. Esto te permite fijar tu unidad de calefacción en configuración más baja sin afectar tu comodidad.

A. Clima cálido



B. Clima frío



NOTA: No esperes a que el ventilador se detenga antes de presionar el botón de reversa. Si el ventilador no está en movimiento, no cambiará de dirección.

Mantenimiento y limpieza



ADVERTENCIA: Asegúrate de que la electricidad esté apagada antes de limpiar el ventilador.

- Debido al movimiento natural del ventilador, algunas conexiones pueden aflojarse. Revisa dos veces al año las conexiones de soporte, los soportes y los accesorios de las aspas. Comprueba que estén seguros. No es necesario desmontar el ventilador del techo.
- Limpia el ventilador con frecuencia para que luzca como nuevo al paso de los años. No uses agua al limpiar. Esto puede dañar el motor o la madera e incluso provocar descarga eléctrica. Usa solo un cepillo suave o un paño sin pelusas para no arañar el acabado.
- Puedes aplicar a la madera una fina capa de pulimento para muebles y dar así más protección y belleza. Cubre los arañazos pequeños con una ligera aplicación de lustrador para calzado.
- No necesitas lubricar el ventilador. El motor tiene cojinetes de bola sellados y permanentemente lubricados.

Solución de problemas

Problema	Solución
El ventilador no enciende.	<ul style="list-style-type: none">□ Verifica los fusibles o disyuntores principales y secundarios.□ Verifica las conexiones de cables en la línea al ventilador y al interruptor en la carcasa correspondiente.□ Revisa la batería del control remoto.□ Asegura que estén en el rango normal de 3 a 6 metros.□ Recuerda desconectar la electricidad antes de verificar las configuraciones del interruptor.
El ventilador hace ruido.	<ul style="list-style-type: none">□ Asegúrate de que todos los tornillos de la carcasa del motor estén bien ajustados.□ Asegúrate de que los tornillos que unen el soporte de aspa al cuerpo del motor estén bien apretados.□ Asegúrate de que las conexiones de tuerca de cable no choquen unas con otras ni con la pared interior de la caja del interruptor.□ Espera que transcurra un período de “adaptación” de 24 horas. En ese período desaparecen la mayoría de los ruidos asociados a un ventilador nuevo.□ Si usas el kit de luces de ventilador de techo, asegúrate de que los tornillos que sujetan el vidrio estén bien apretados. Verifica que también las bombillas estén bien ajustadas.□ Asegúrate de que la cubierta esté a corta distancia del techo. No debe tocar el techo.□ Asegura que la caja eléctrica esté bien segura y que las almohadillas aislantes de goma se hayan instalado entre la placa de montaje y la caja.
El ventilador oscila.	<ul style="list-style-type: none">□ Verifica que todas las aspas y los tornillos de los brazos de aspas estén bien ajustados.□ La mayoría de los problemas de oscilación del ventilador se deben a que las aspas no están al mismo nivel. Verifica este nivel seleccionando un punto en el cielo raso sobre la punta de una de las aspas. Mide desde un punto en el centro de cada aspa a un punto en el techo. Rota el ventilador hasta que la siguiente aspa esté en posición para medir y mide desde el mismo punto en cada aspa hasta el cielo raso. Repite el procedimiento para cada aspa. Las desviaciones de medición no deben pasar de 0.3 cm (1/8 plg). Enciende el ventilador durante diez minutos. Si el ventilador continúa oscilando, comunícate con el servicio al cliente de Home Decorators Collection y te enviarán un kit de compensación de aspas, sin costo alguno.
El ventilador se mueve hacia adelante y hacia atrás cuando se enciende.	<ul style="list-style-type: none">□ Este comportamiento inicial es normal en ventiladores de motor de CC. El movimiento parcial inicial se produce porque el motor de CC está alineando los polos magnéticos internos para su funcionamiento adecuado. Este diseño ahorra electricidad y permite que el ventilador funcione con mucho menos ruido que los ventiladores estándar de motor de CA.

HOME DECORATORS COLLECTION

¿Preguntas, problemas o piezas faltantes? Antes de devolver a la tienda,
llama al Servicio al Cliente de Home Depot,
de lunes a viernes, entre 8:00 a.m. y 7:00 p.m. (Hora Estándar del Este),
y los sábados de 9:00 a.m. a 6:00 p.m. (Hora Estándar del Este).

1-800-986-3460

[HOMEDEPOT.COM/HOMEDECORATORS](https://www.homedepot.com/homedecorators)

Conserva este manual para uso futuro.