

亞 驪 企 業 股 份 有 限 公 司
ARISTOTLE ENTERPRISES

承 認 申 請 書

ROHS COMPLIANCE

客戶名稱: 香港商磐旭智能國際股份有限公司台灣分公司
Customer
廠商料號: RFA-25-AP532-70B-45
Part No.
品名: DB, L=45mm,IPEX
Description
圖號: RFA-25-AP532-70B-45
Drawing No.
客戶料號: 3422242000290M
Drawing No.
客戶品名: CBL,ANTENNA,ARISTOTLE,RFA-25-AP532-70B-45(未)
45mm,IPEX1,24*18*0.6mm,FOR GT78V
客戶規格: WIFI/BT(AP532-BT_V1)

出廠簽章:

檢 查 TEST BY	核 對 CHECK BY	承 認 APPROVE BY
周沂珮	黃秋芳	廖煥文

承認簽章:

檢 查 TEST BY	核 對 CHECK BY	承 認 APPROVE BY

地址:新北市中和區莒光路 63 號 8 樓

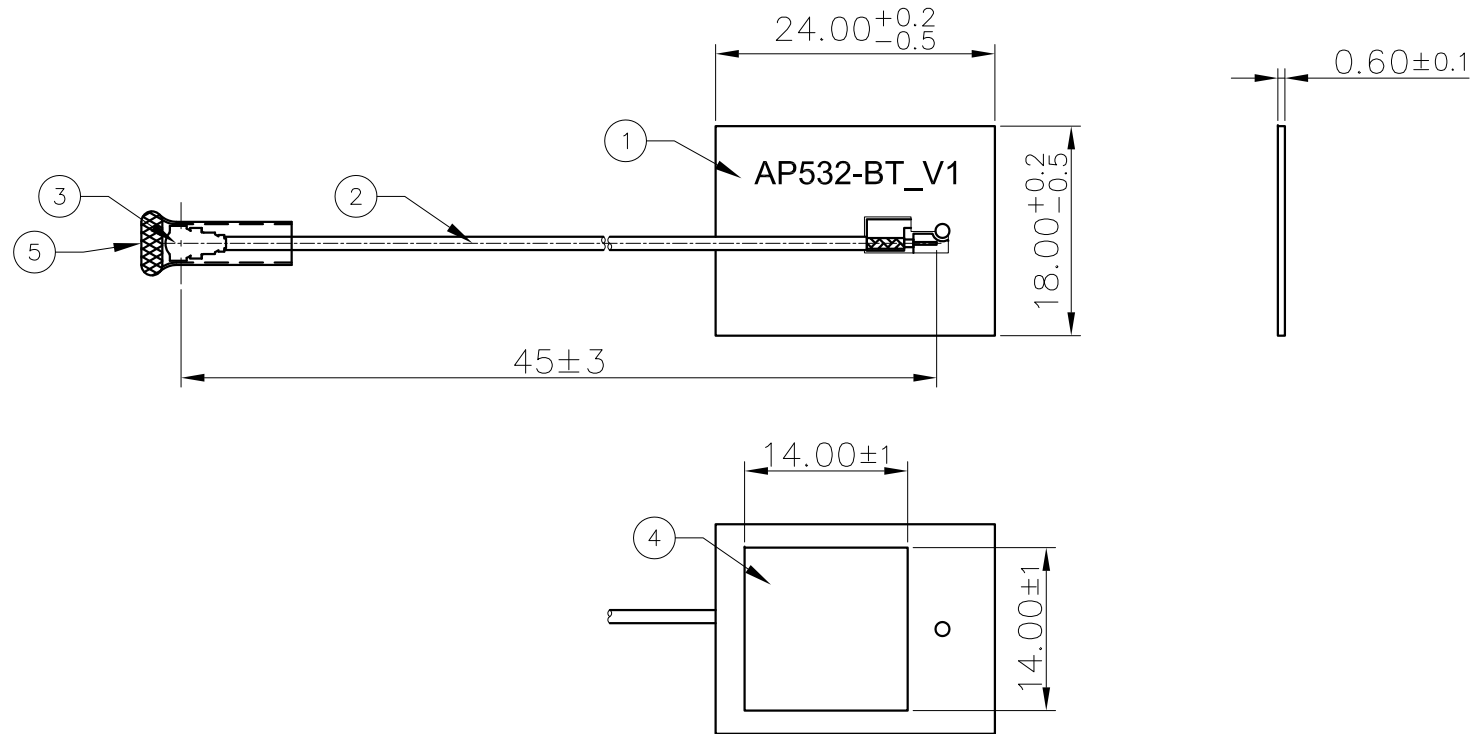
電話:02-2225-8209

傳真:02-2225-7523

表單編號: QP-0603-F02

版本: A

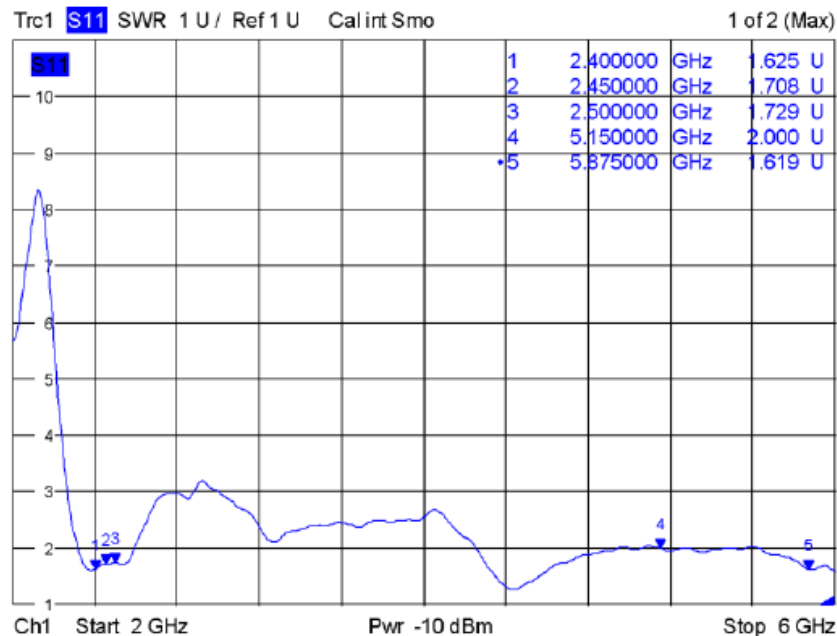
NO.	NAME	FINSH	MAT'L	Q'TY	MEMO
1.	PCB	BLACK	FR4	1	
2.	CABLE	BLACK	--	1	ø1.13
3.	CONNECTOR	PLATED GOLD	BRASS	1	IPEX
4.	TAPE	--	--	1	
5.	封口保護套	PARENT	PE	1	



	TOLERANCE UNLESS OTHERWISE SPECIFIED		亞驪企業股份有限公司 ARISTOTLE ENTERPRISES INC.	
	LINER	ANGLE		
	UNITS	.X ±0.10 X° ±0.5°		
MM	.XX ±0.05		TITLE	
	.XXX ±0.01		RFA-25-AP532-70B-45	
REV.	ECN.	NAME	DATE	REV. C
1.				SHEET 1/1
				CHKD.
				SIZE SCALE
				DRAW Gino 2017/12/25
				DWG NO.
				RFA-25-AP532-70B-45

3.				REV.	C			
2.				SHEET	1/1	CHKD.		
1.				SIZE	SCALE			
REV.	ECN.	NAME	DATE	A4	1:1	DRAW	Gino	2017/12/25

Frequency (MHz)	3D		
	Efficiency	Avg. Gain	Peak Gain
2400.00	41.46	-8.82	-0.14
2450.00	43.31	-8.63	0.73
2500.00	41.98	-8.77	-0.43
5150.00	65.04	-6.87	0.31
5350.00	69.98	-6.55	0.72
5475.00	67.62	-6.70	0.82
5600.00	60.81	-7.16	1.20
5725.00	66.79	-6.75	1.48
5750.00	69.16	-6.60	1.06
5825.00	70.98	-6.49	1.07
5875.00	71.37	-6.46	1.02

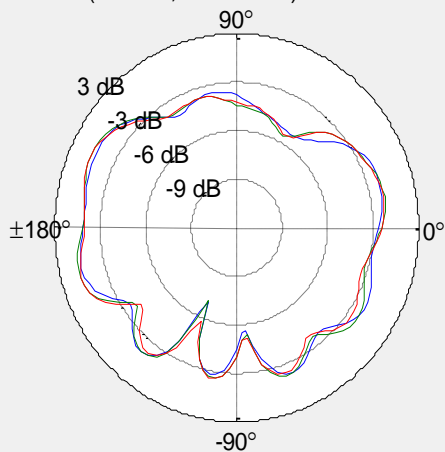


Date: 4.SEP.2017 17:54:33

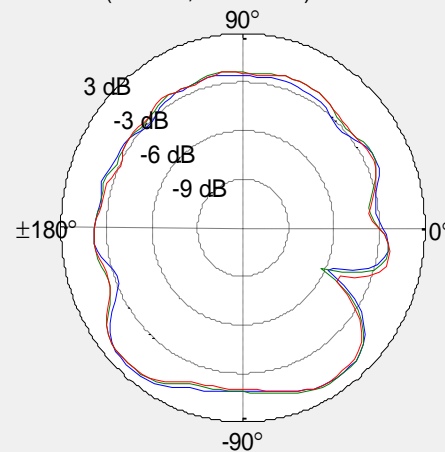
2G Band = 2400 - 2500 MHz % 2G Band

- 2400 MHz
- 2450 MHz
- 2500 MHz

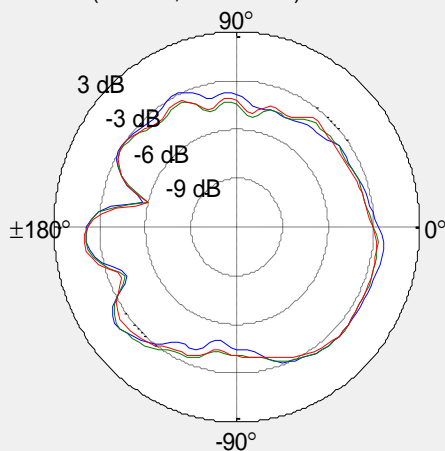
XY Plane (+X = 0°, +Y = +90°) / Elevation = 90 °



ZX Plane (+Z = 0°, +X = +90°) / Azimuth = 0 °



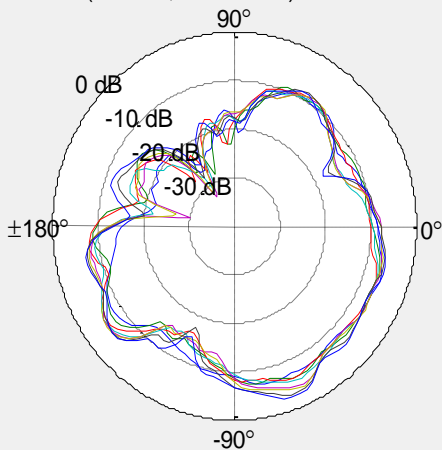
YZ Plane (+Z = 0°, +Y = +90°) / Azimuth = 90 °



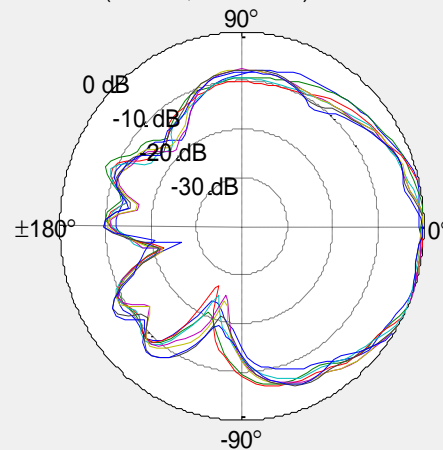
5G Band = 5150 - 5875 MHz % 5G Band

- 5150 MHz
- 5350 MHz
- 5475 MHz
- 5600 MHz
- 5725 MHz
- 5750 MHz
- 5825 MHz
- 5875 MHz

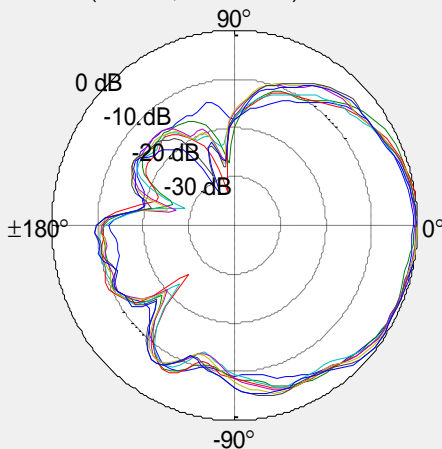
XY Plane (+X = 0°, +Y = +90°) / Elevation = 90 °



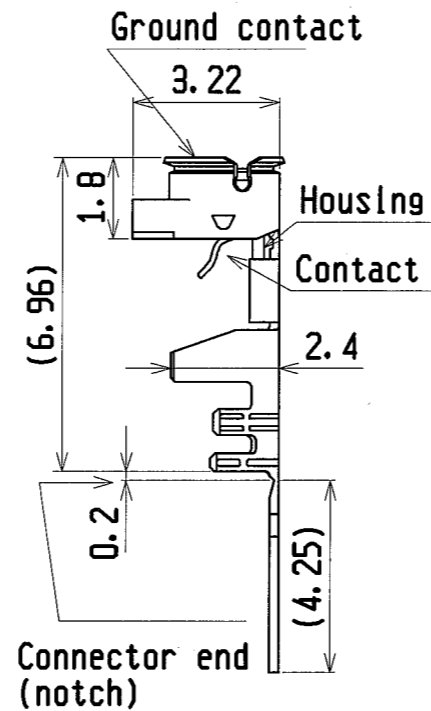
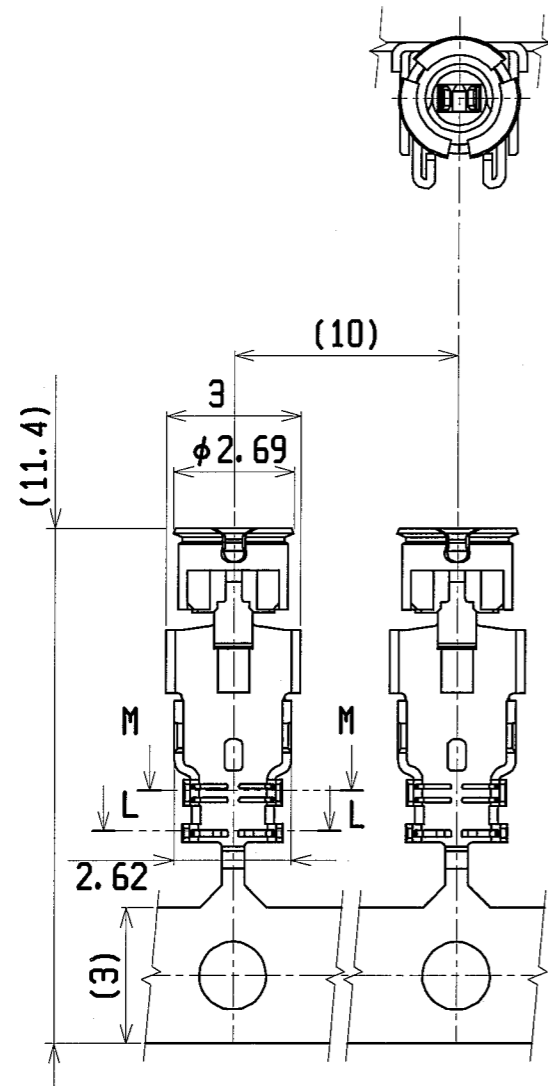
ZX Plane (+Z = 0°, +X = +90°) / Azimuth = 0 °



YZ Plane (+Z = 0°, +Y = +90°) / Azimuth = 90 °

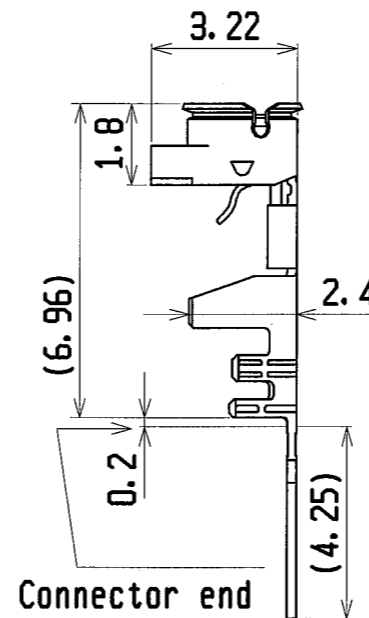


PART NO.
20278-...R-...



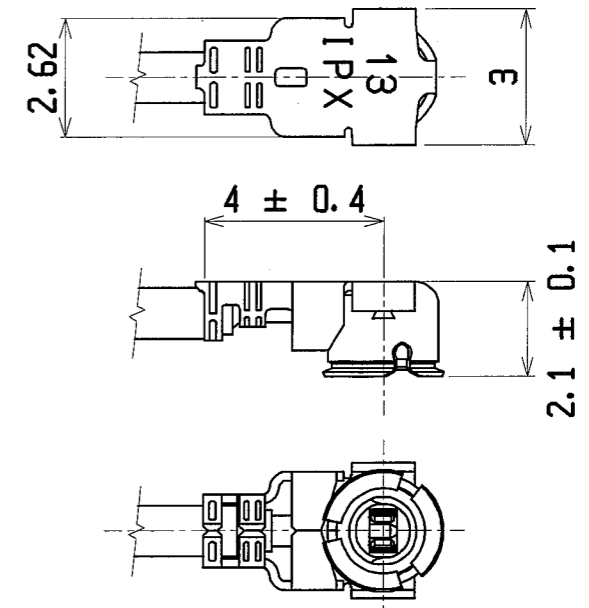
Part No. 20278-101R-08
20278-102R-08
20278-101R-13
20278-102R-13
20278-101R-32
20278-102R-32

For hand tool
(with notch)



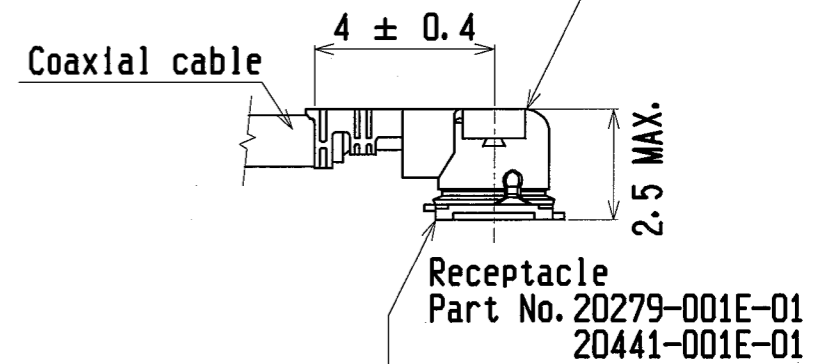
Part No. 20278-111R-08
20278-112R-08
20278-111R-13
20278-112R-13
20278-111R-32
20278-112R-32

For semi auto
termination machine
(without notch)



Cable Ass'y

Plug
P/N 20278-1...R-08
P/N 20278-1...R-13
P/N 20278-1...R-32



MATING

GENERAL TOLERANCE		
6 MAX.	±0.2	
6 OVER MAX. 30	±0.3	
30 OVER MAX. 120	±0.5	
ANGLE	±2°	

19C	Z08056	K.O	Feb/04/08	EK	DESIGN'D BY	DATE
18C	Z07346	K.O	Jul/10/08	E.K	K. Ohbayashi	JUN/13/01
17C	Z05233	K.O	May/18/05	T.H	CHK'D BY	DATE
16C	Z05024	K.O	Jan/20/05	T.H		
15C	Z04398	K.O	Nov/12/04	T.H	APP'D BY	DATE
REV	ECN	BY	DATE	APP	K. Katabuchi	JUN/13/01
REV. RECORD					CUSTOMER	PROJECTION
SERIES No. 2814					COPY	6/1 mm

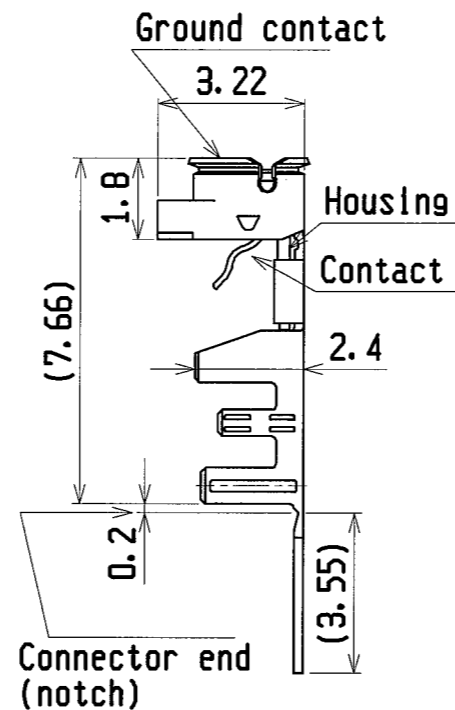
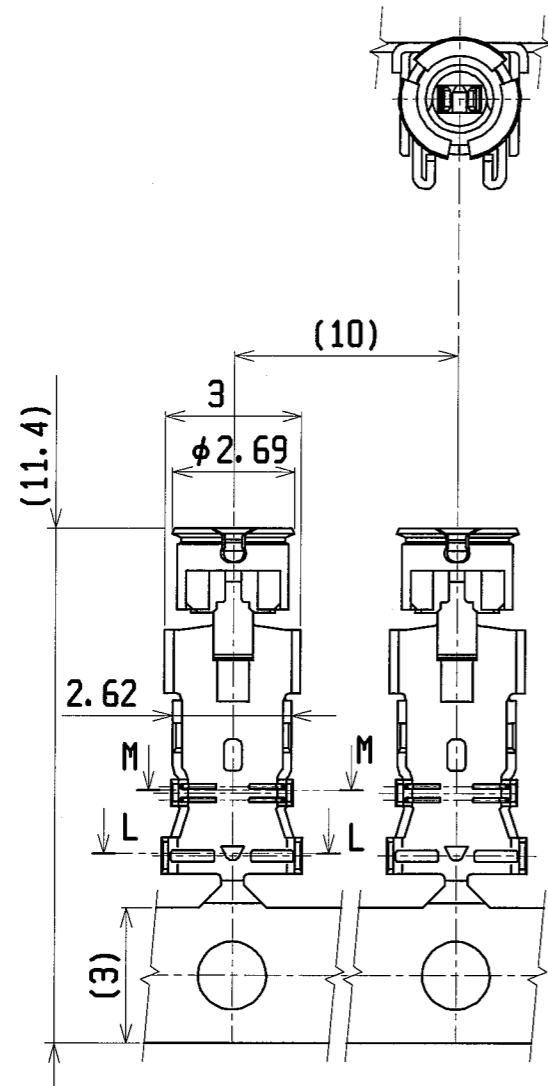
I-PEX Interconnect and Packaging Electronics TOKYO, JAPAN

TITLE: MHF series micro coaxial connector plug vertical (ground contact : gold plating)

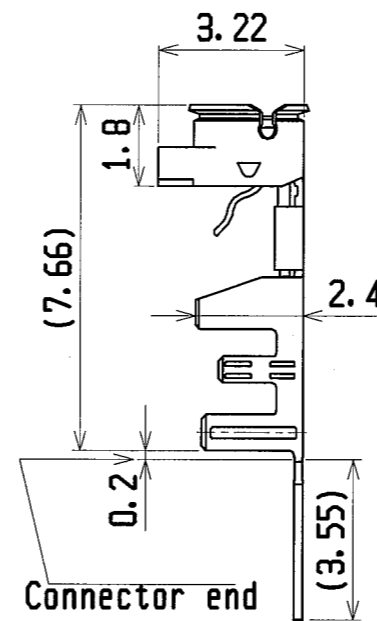
General

SCALE: 6/1 mm UNIT: mm DWG. No. 20278 SHEET REV. 1/4 19C

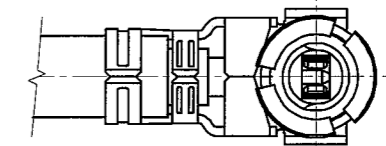
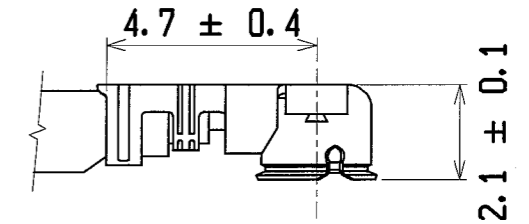
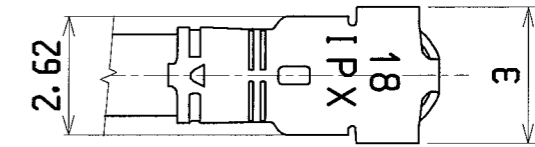
PART NO.
20278-***R-***



Part No. 20278-101R-18
20278-102R-18
For hand tool
(with notch)

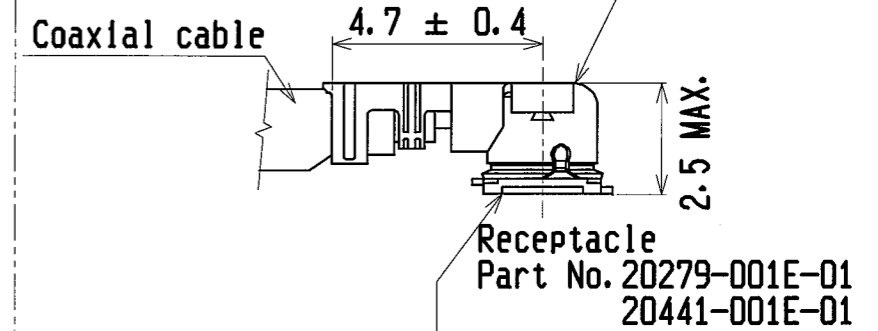


Part No. 20278-111R-18
20278-112R-18
For semi auto
termination machine
(without notch)



Cable Ass'y

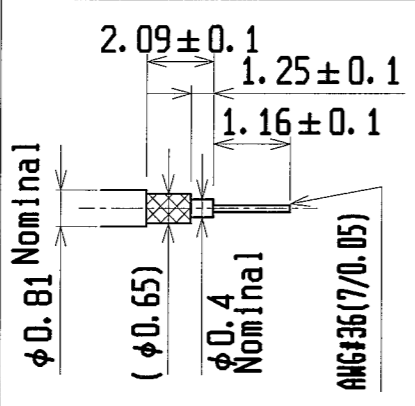
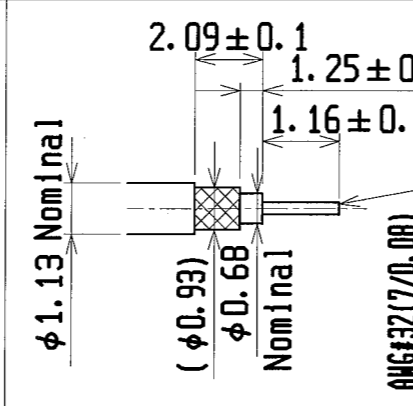
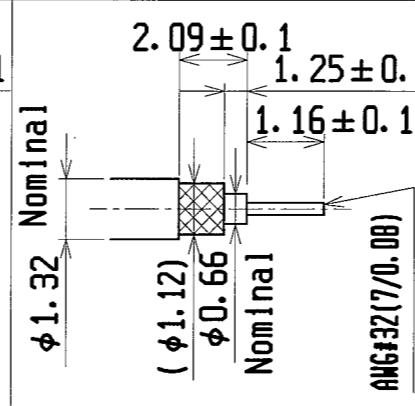
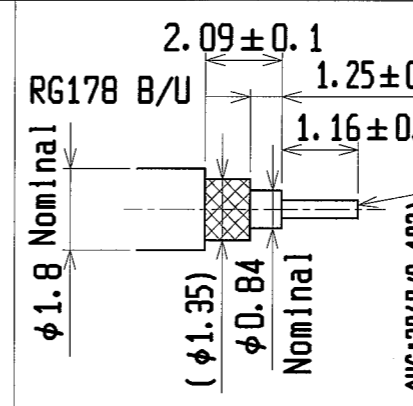
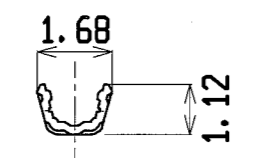
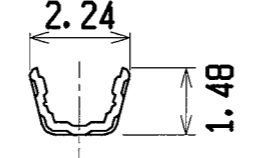
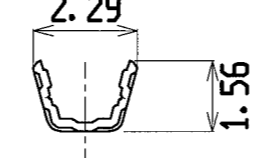
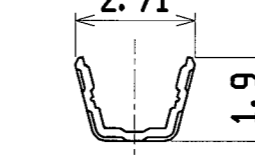
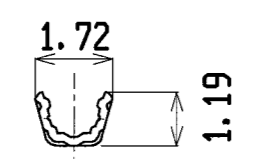
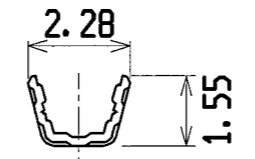
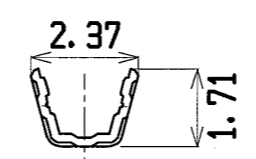
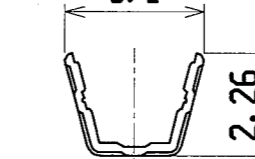
Plug
P/N 20278-1**R-18



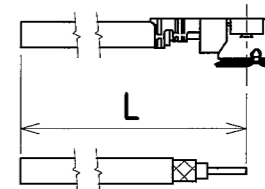
MATING

GENERAL TOLERANCE	
6 MAX.	±0.2
6 OVER MAX. 30	±0.3
30 OVER MAX. 120	±0.5
ANGLE	±2'

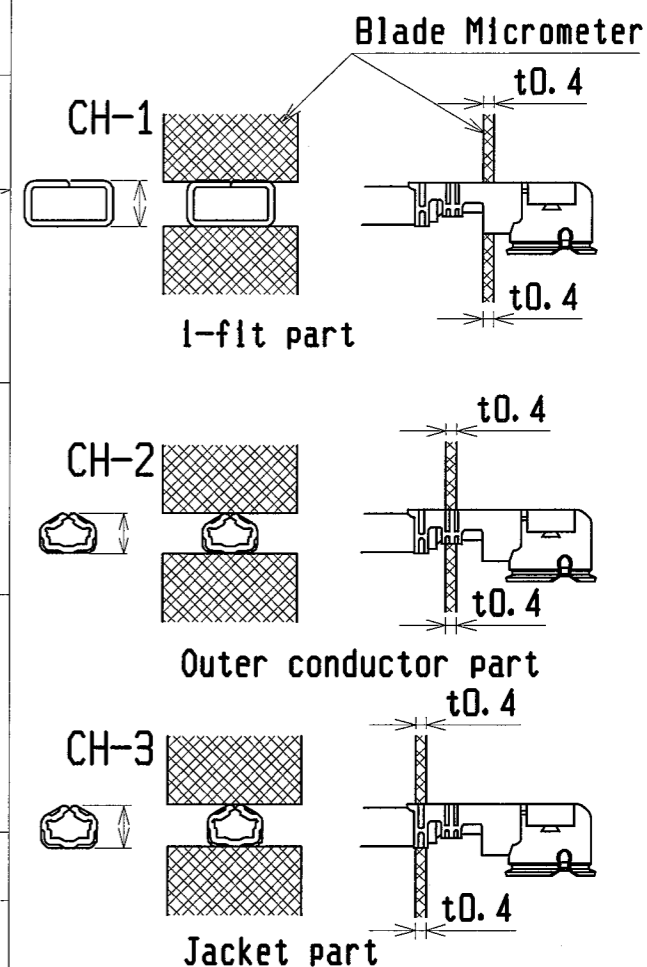
DESIGN D BY	DATE	I-PEX Interconnect and Packaging Electronics TOKYO, JAPAN	TITLE MHF series micro coaxial connector plug vertical (ground contact : gold plating)	General
CHK' D BY	DATE			
APP' D BY	DATE			
REV ECN BY DATE APP	CUSTOMER COPY	PROJECTION	SCALE UNIT DWG. No.	SHEET REV.
SERIES No. 2814			6/1 mm 20278	2/4 19C

Part No. of non halogen free type	20278-101R-08 20278-111R-08	20278-101R-13 20278-111R-13	20278-101R-32 20278-111R-32	20278-101R-18 20278-111R-18	
Part No. of halogen free type	20278-102R-08 20278-112R-08	20278-102R-13 20278-112R-13	20278-102R-32 20278-112R-32	20278-102R-18 20278-112R-18	
Housing color	White	Black	Black	White	
Applicable cable nominal dimension	 2.09 ± 0.1 1.25 ± 0.1 1.16 ± 0.1 $\phi 0.81$ Nominal $(\phi 0.65)$ $\phi 0.4$ Nominal AWG#36(7/0.05)	 2.09 ± 0.1 1.25 ± 0.1 1.16 ± 0.1 $\phi 1.13$ Nominal $(\phi 0.93)$ $\phi 0.68$ Nominal AWG#32(7/0.08)	 2.09 ± 0.1 1.25 ± 0.1 1.16 ± 0.1 $\phi 1.32$ Nominal $(\phi 1.12)$ $\phi 0.66$ Nominal AWG#32(7/0.08)	 2.09 ± 0.1 1.25 ± 0.1 1.16 ± 0.1 $\phi 1.8$ Nominal RG178 B/U $(\phi 1.35)$ $\phi 0.84$ Nominal AWG#30(7/0.102)	
Braided shield of Outer conductor 外部導体の編組	Single / 1重編組	Single / 1重編組	Double / 2重編組	Single / 1重編組	
P/N of hand Tool	90187-008C	90187-013C	90187-032C	90233-018	
P/N of semi auto termination machine	90213-008C	90213-013C	90213-032C	90232-018	
Sect. M-M	 1.68 1.12	 2.24 1.48	 2.29 1.56	 2.71 1.9	
Sect. L-L	 1.72 1.19	 2.28 1.55	 2.37 1.71	 3.1 2.26	
Crimp Height	CH-1	1.34~1.40	1.34~1.40	1.34~1.40	1.34~1.40
	CH-2	0.76~0.84	1.06~1.14	1.20~1.30	1.41~1.49
	CH-3	0.85~0.97	1.15~1.35	1.26~1.46	1.70~1.80

Cable cut length




Crimp Height



NOTE-1

中心導体, 外部導体への半田コーティングは不可
Must not use solder coated
inner conductor and outer conductor.

DESIGN D BY	DATE	 I-PEX Interconnect and Packaging Electronics TOKYO, JAPAN	General							
CHK' D BY	DATE									
APP' D BY	DATE									
REV	ECN	BY	DATE	APP	TITLE	SCALE	UNIT	DWG. No.	SHEET	REV.
REV. RECORD					CUSTOMER COPY	PROJECTION	mm	20278	3/4	19C
SERIES No. 2814										

Notes

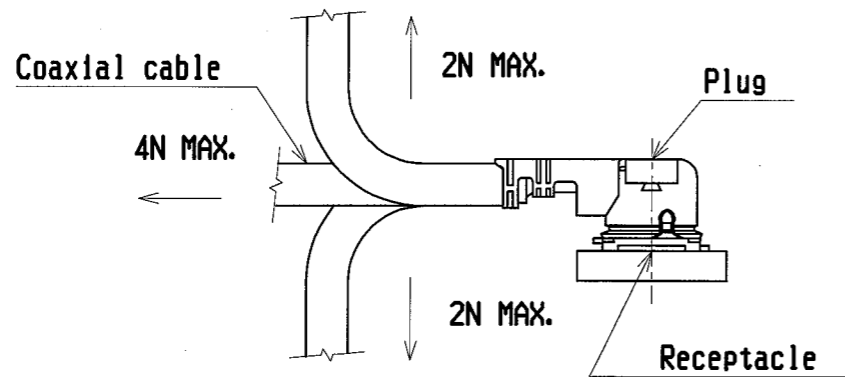
1. Material

- (1) Housing : PBT , UL94V-0
- (2) Contact
phosphor bronze
gold plating 0.1 μ m MIN.
over nickel 1.27 μ m MIN.
- (3) Ground contact
phosphor bronze
gold plating 0.05 μ m MIN.
over nickel 1.27 μ m MIN.

2. Packing : reel

3. Mating partner part No.
: 20279-001E-01, 20441-001E-01

4. Permissible load of cable at mating



5. Suggestions for mating & unmating operation.

5-1 Mating.

Please mate the connector straightly to vertical direction as much as possible, adjusting the mating axis of plug and receptacle. As excessive slant angle mating may break the connector, please don't do it.

1. 材料

- (1) ハウジング : PBT, UL94V-0
- (2) コンタクト
りん青銅
金メッキ0.1 μ m MIN.
下地 ニッケル1.27 μ m MIN.
- (3) グランドコンタクト
りん青銅
金メッキ0.05 μ m MIN.
下地 ニッケル1.27 μ m MIN.

2. 梱包 : リール

3. かん合相手 part No.
: 20279-001E-01, 20441-001E-01

4. コネクタかん合後のケーブルに対する荷重

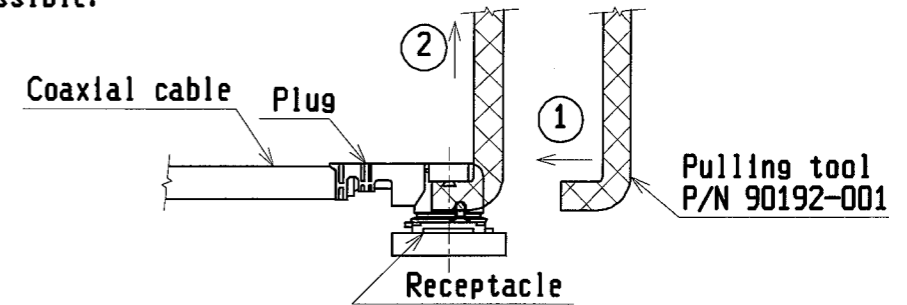
5. コネクタかん合時および抜去時の注意

5-1 コネクタ挿入時

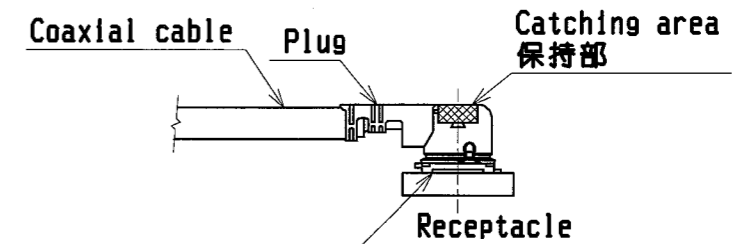
PlugとReceptacleのかん合軸を合わせ、できるだけ垂直に挿入して下さい。極端な斜め挿入は行わないで下さい。コネクタ破損の原因となりますので、過度なこじり挿入は行わないで下さい。

5-2 Unmating.

- (1) In case of unmating by pulling tool.
Please use the pulling tool as the following drawing, and please pull plug to vertical direction as directly as possible.



- (2) In case of unmating directly by hand
Please catch the catching area of plug, and please pull plug to vertical direction as directly as possible.



5-2 コネクタ抜去時

- (1) 抜去ジグを用いる場合
下図のようにできるだけ垂直に引き抜いて下さい。

- (2) 手で直接引き抜く場合
下図の保持部をつかみ、できるだけ垂直に引き抜いて下さい。

5-3 Crimp over standards of outer conductor

Standards: Less than 10% from total numbers of outer conductor
(Numbers of outer conductor's crimp over from outer conductor's barrel)

5-4 Caution about Heat shrinkage tubes

Please be careful not to melt housing when using heat shrinkage tubes. It will become cause of open circuit.

6. This is 'Pb-free' connector.

5-3 外部導体はみ出し量


外部導体はみ出し量規定 : 外部導体トータル本数の10%以下 (外部導体パレルの外はみ出し量)

5-4 熱収縮チューブについての注意

熱収縮チューブで外部導体を覆う場合は、導通不良の原因となりますので、熱によりハウジングを溶融させないように注意してください。

6. 本コネクタは'Pb-free'である

GENERAL TOLERANCE	
6 MAX.	±0.2
6 OVER MAX. 30	±0.3
30 OVER MAX. 120	±0.5
ANGLE	±2°

DESIGN'D BY	DATE	 I-PEX Interconnect and Packaging Electronics TOKYO, JAPAN	TITLE MHF series micro coaxial connector plug vertical (ground contact : gold plating)	General	
CHK'D BY	DATE				
APP'D BY	DATE				
REV	ECN	BY	DATE	APP	SCALE UNIT DWG. No. SHEET REV. -/- mm 20278 4/4 19C
REV. RECORD SERIES No. 2814					CUSTOMER COPY PROJECTION