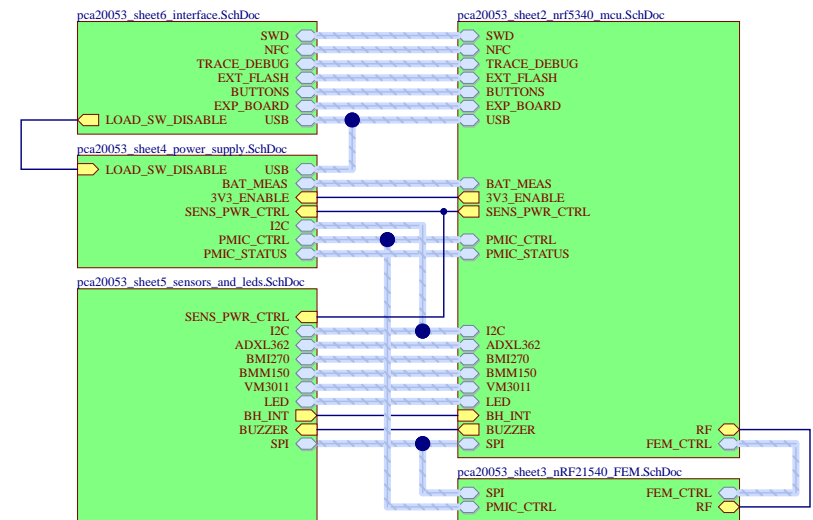


# Nordic Semiconductor ASA

## Thingy:53 Board

- Sheet 1: Connections
- Sheet 2: nRF5340 MCU
- Sheet 3: nRF21540 FEM
- Sheet 4: Power Supply
- Sheet 5: Sensors and LEDs
- Sheet 6: Interface

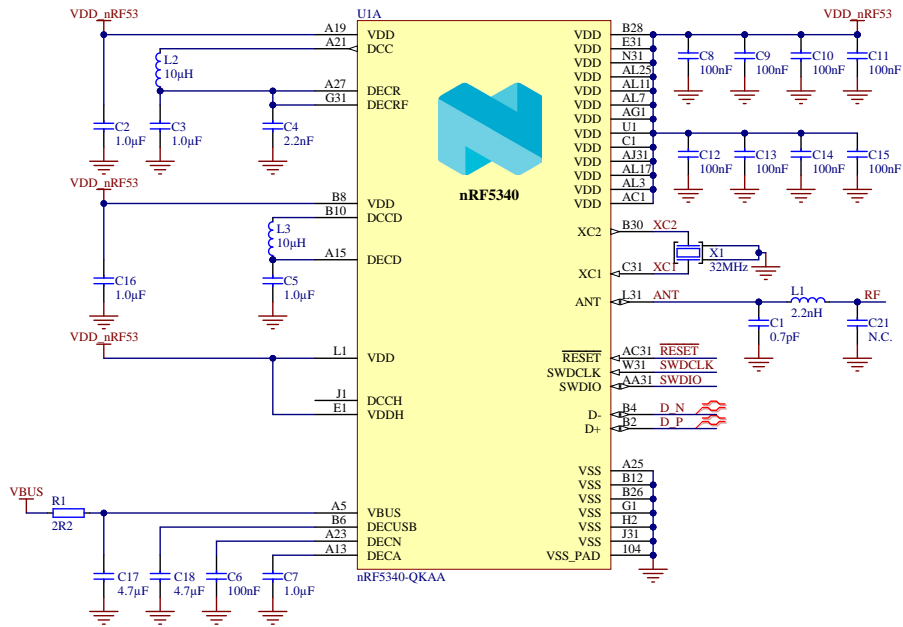


### Thingy:53 Connections

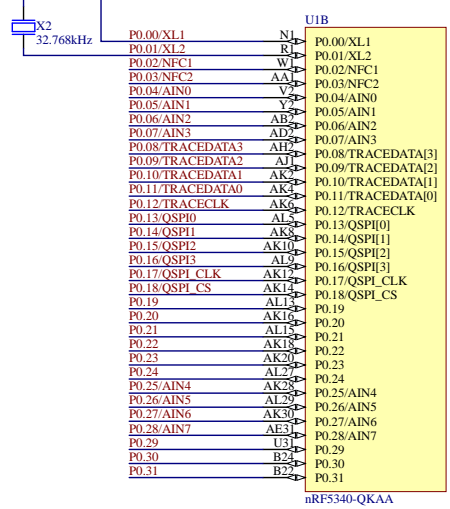
Size A3	Project Number PCA20053	Revision 0.8.0
Date: 03-Jun-21	Sheet 1 of 6	
File: pea20053_sheet1_connections.SchDoc	Drawn By: MASI	



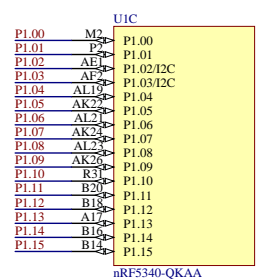
# nRF5340 MCU



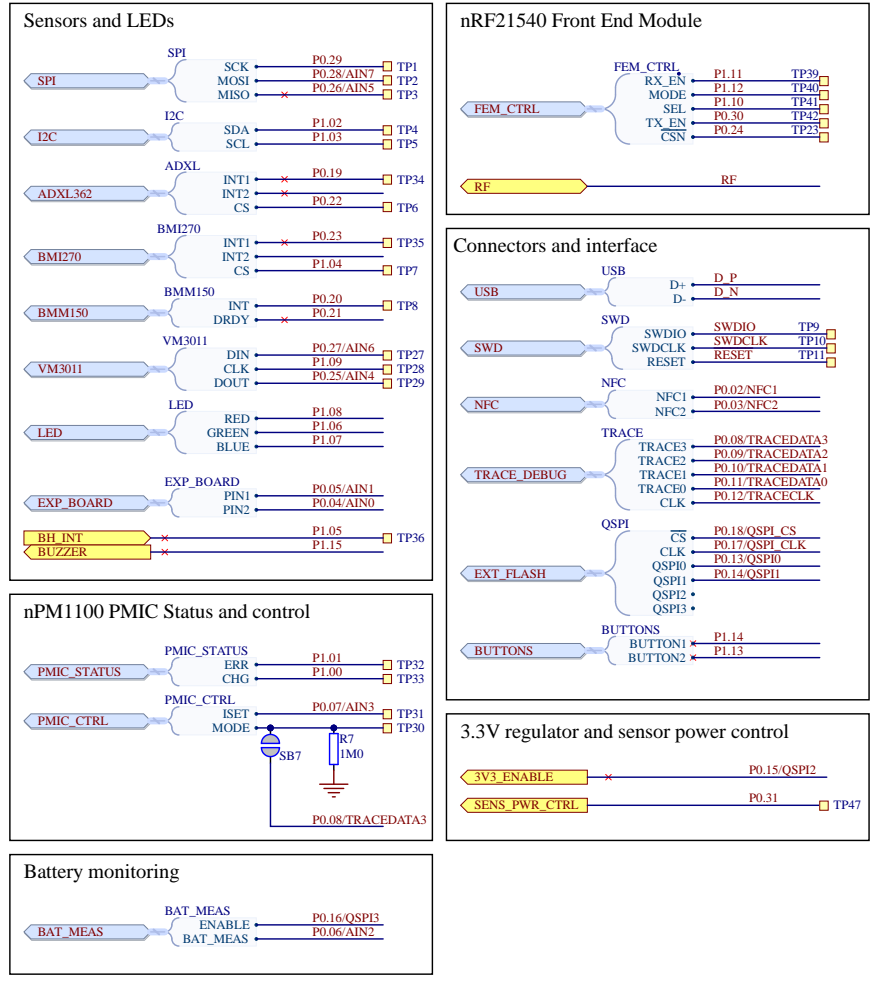
## Port 0 GPIO's

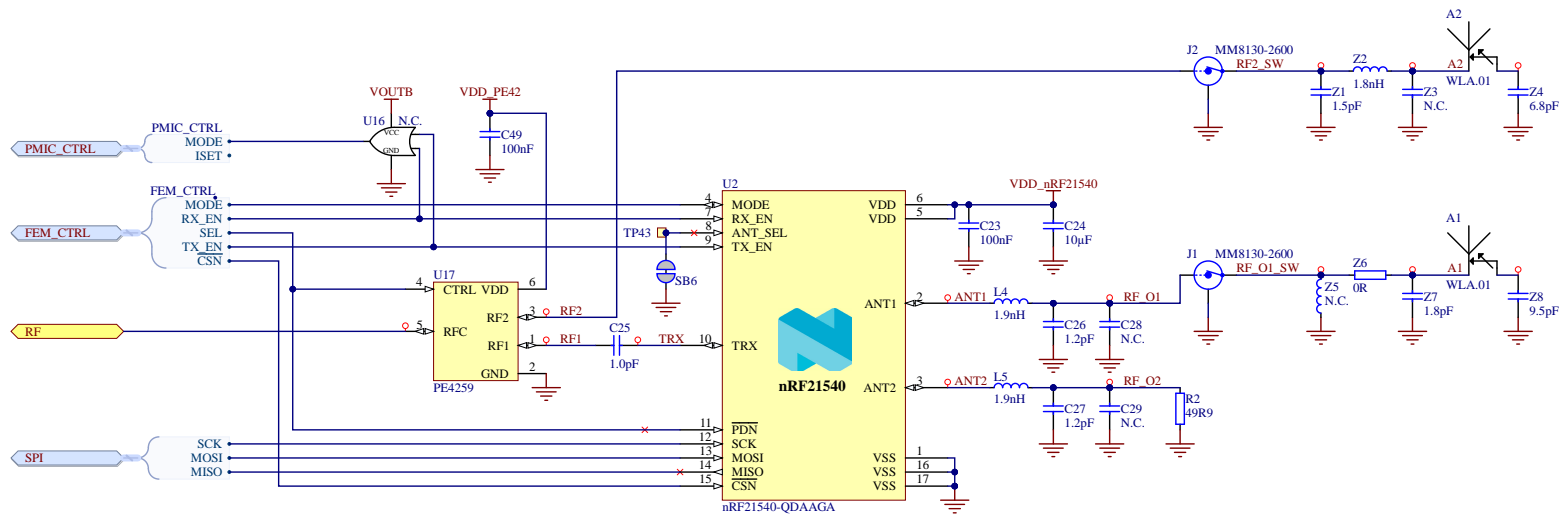


## Port 1 GPIO's




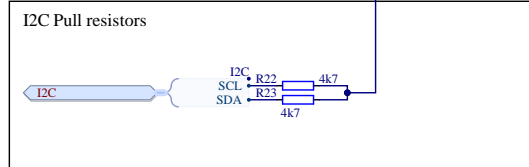
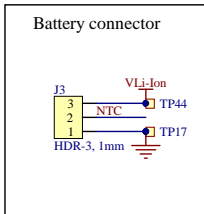
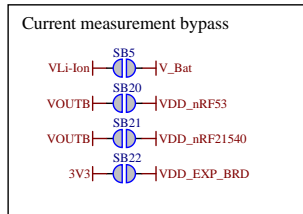
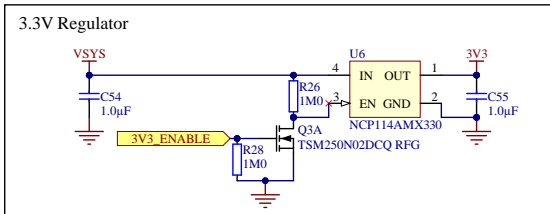
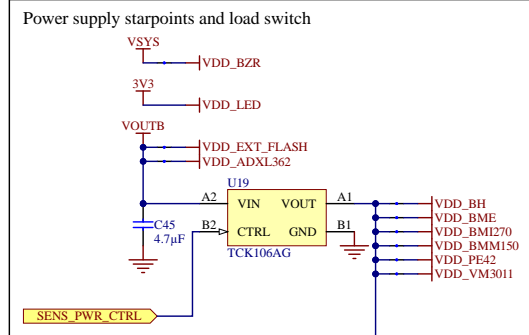
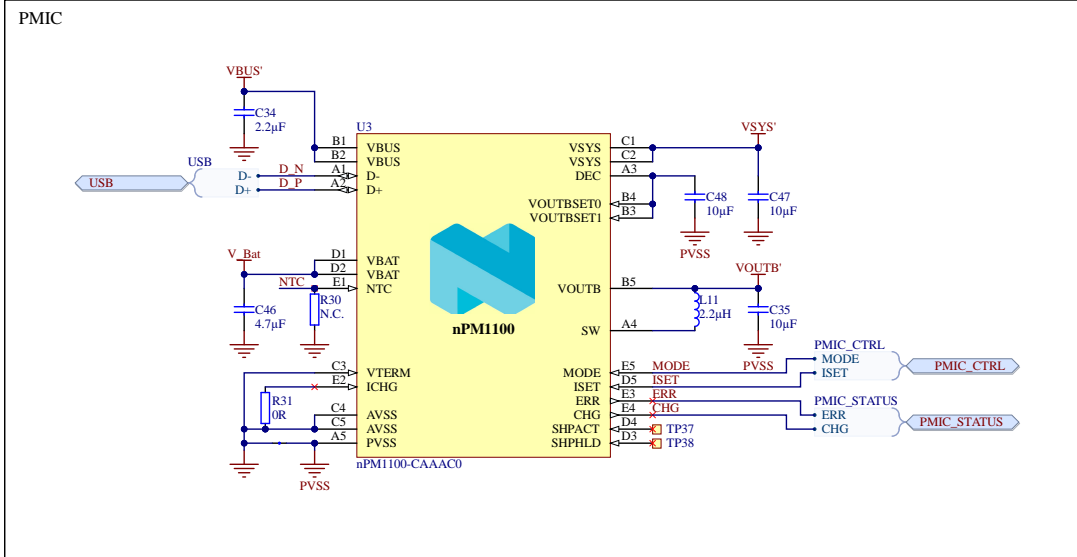
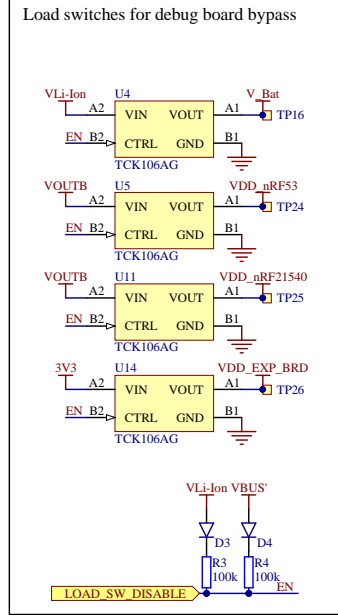
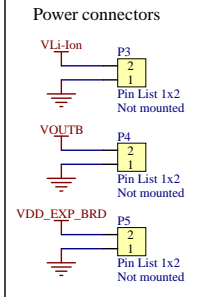
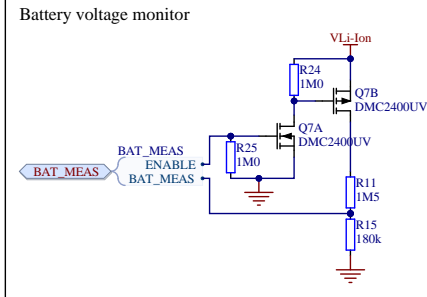
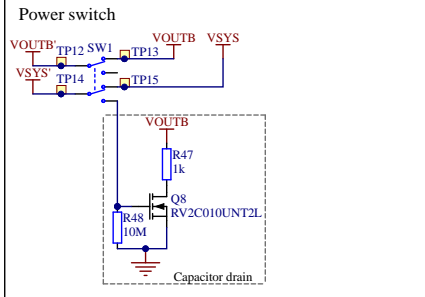
# nRF5340 GPIO pin mapping

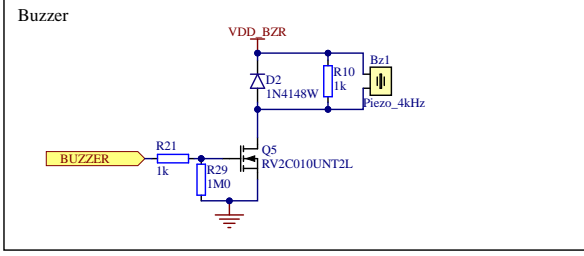
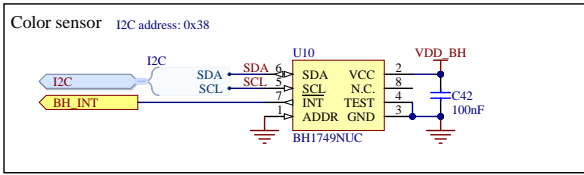
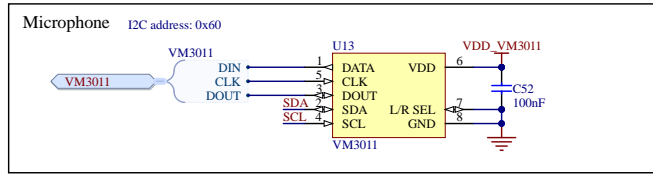
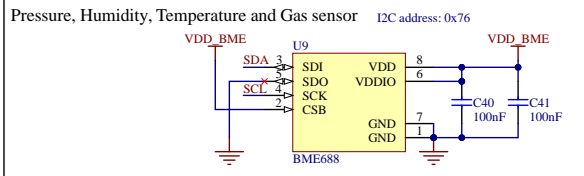
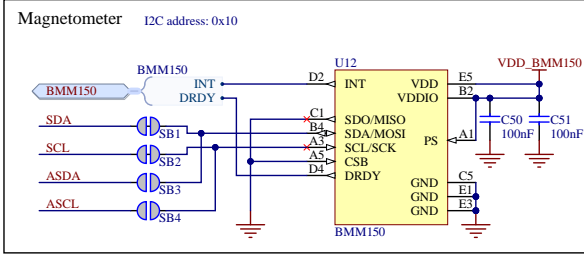
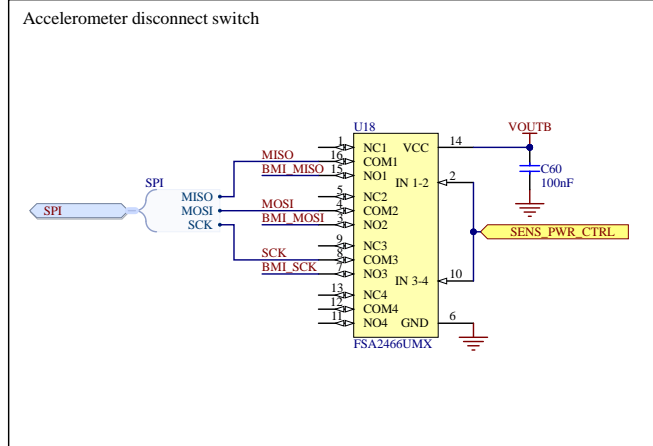
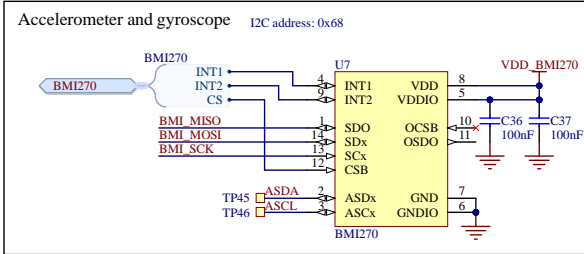
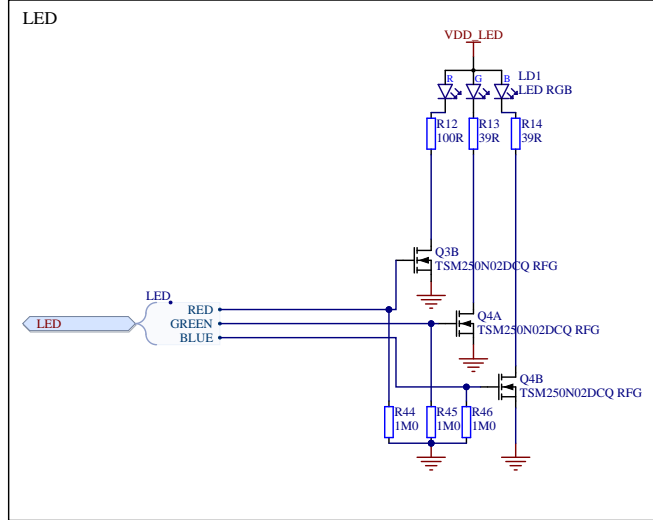
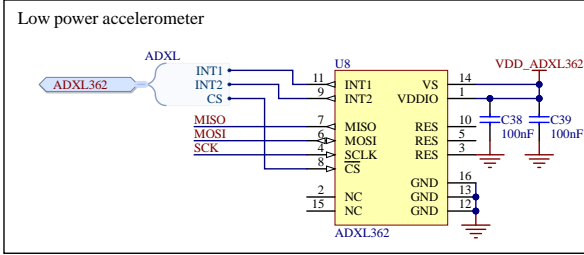


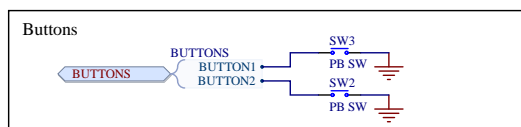
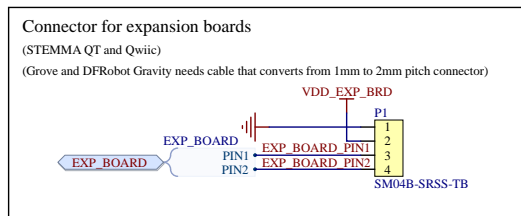
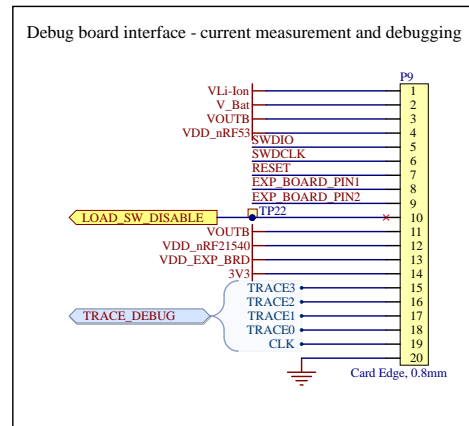
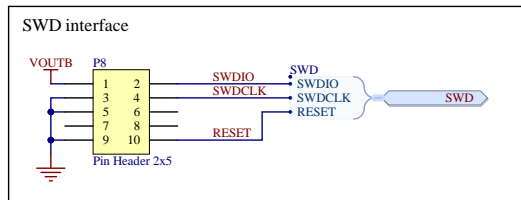
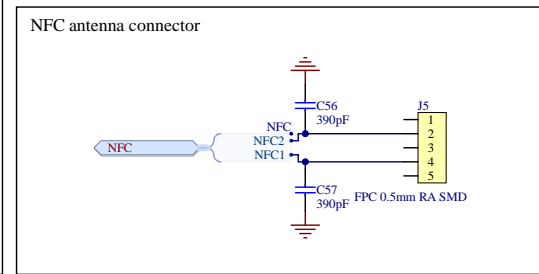
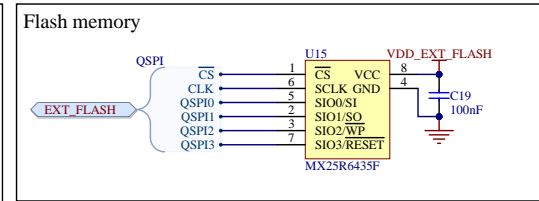
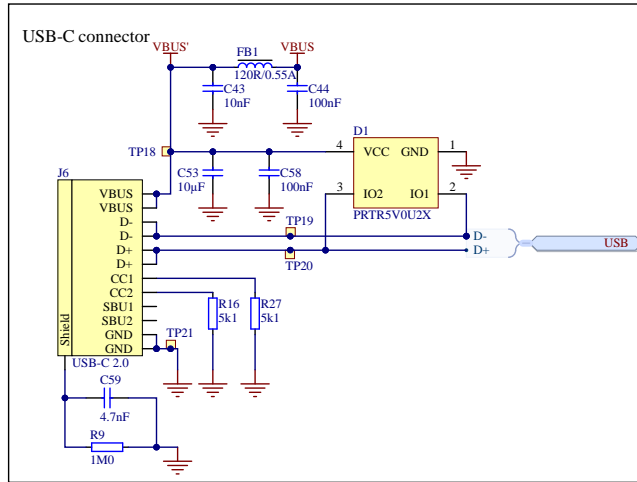


Thingy:53 nRF21540 Front-end module

Size	Project Number	Revision	
A3	PCA20053	0.8.0	
Date: 15-Jun-21	Sheet 3 of 6		
File: pca20053_sheet3_nRF21540_FEM.SchDoc	Drawn By: MASI		







## Thingy:53 Interface

H1	H2	H3
3mm.N.P	3mm.N.P	3mm.N.P

Size	Project Number	Revision
A3	PCA20053	0.8.0
Date:	18-May-21	Sheet 6 of 6
File:	pca20053_sheet6_interface.SchDoc	Drawn By: MASI

