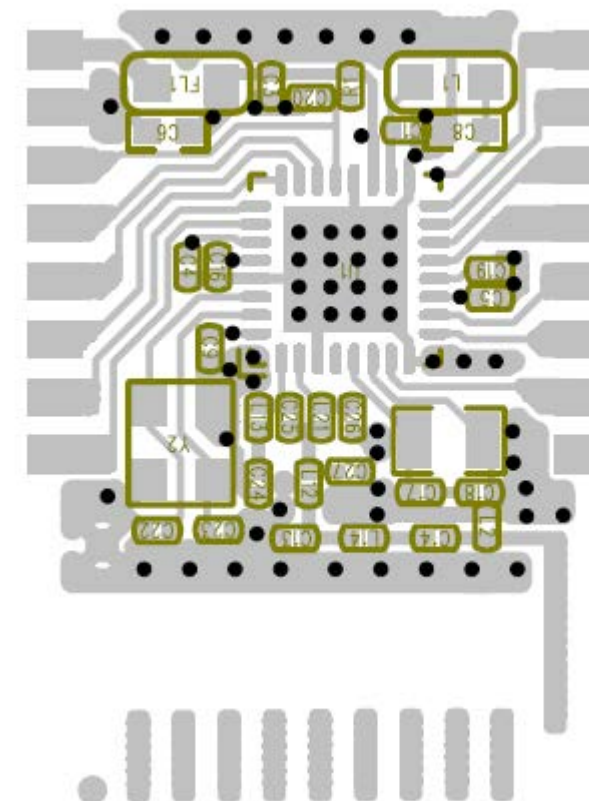
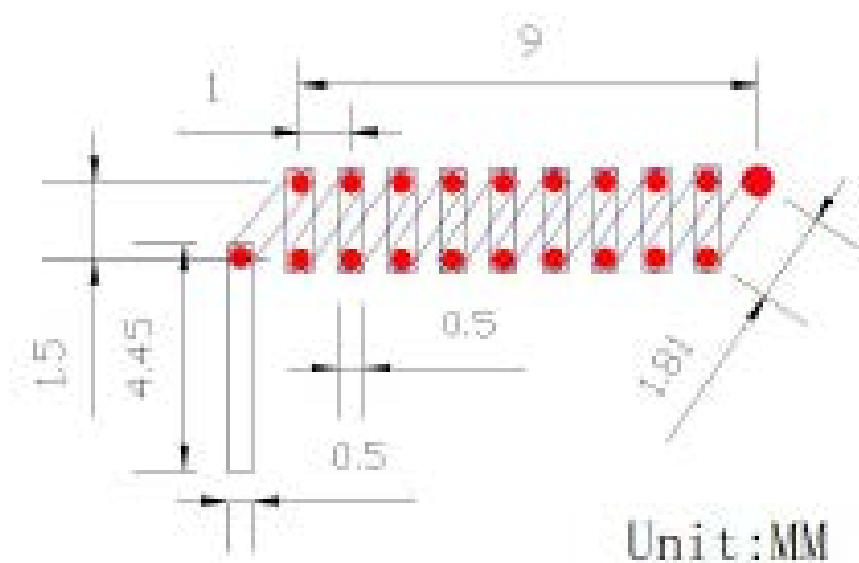


Project Overview



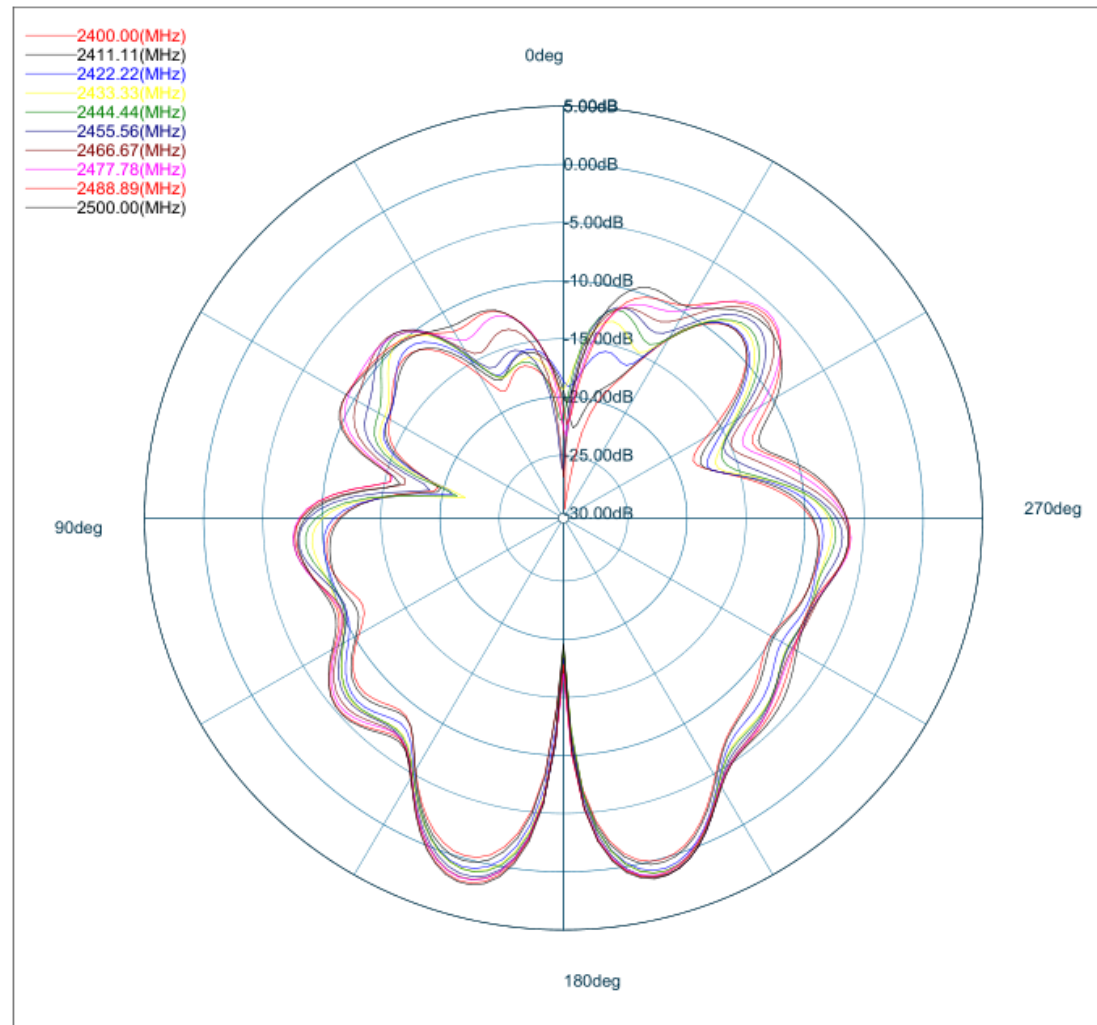
PCB version:HY-40R204P

Measuring frequency : 2.4-2.5GHZ

Passive Report

Manufacturer : Shenzhen Sheng Run Technology Co., Ltd

Model : HY-40R204PC

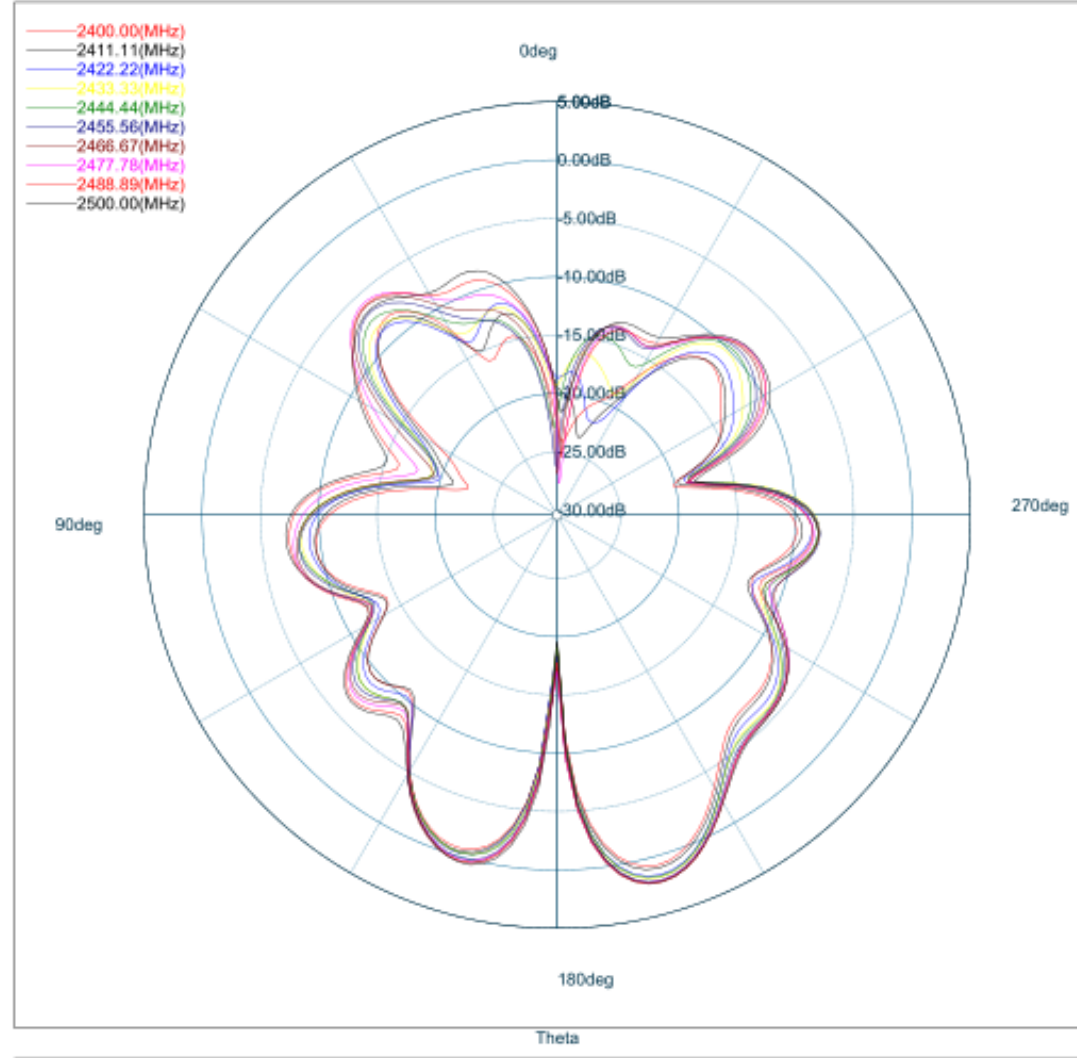


Directivity Measured Data Measuring Instrument: Agilent Technologies E5071B 300kHz-8.5GHz ENA Series Network Analyzer Laboratory System: MVG SG24LT (Satmio)

Passive Report

Manufacturer : Shenzhen Sheng Run Technology Co., Ltd

Model : HY-40R204PC

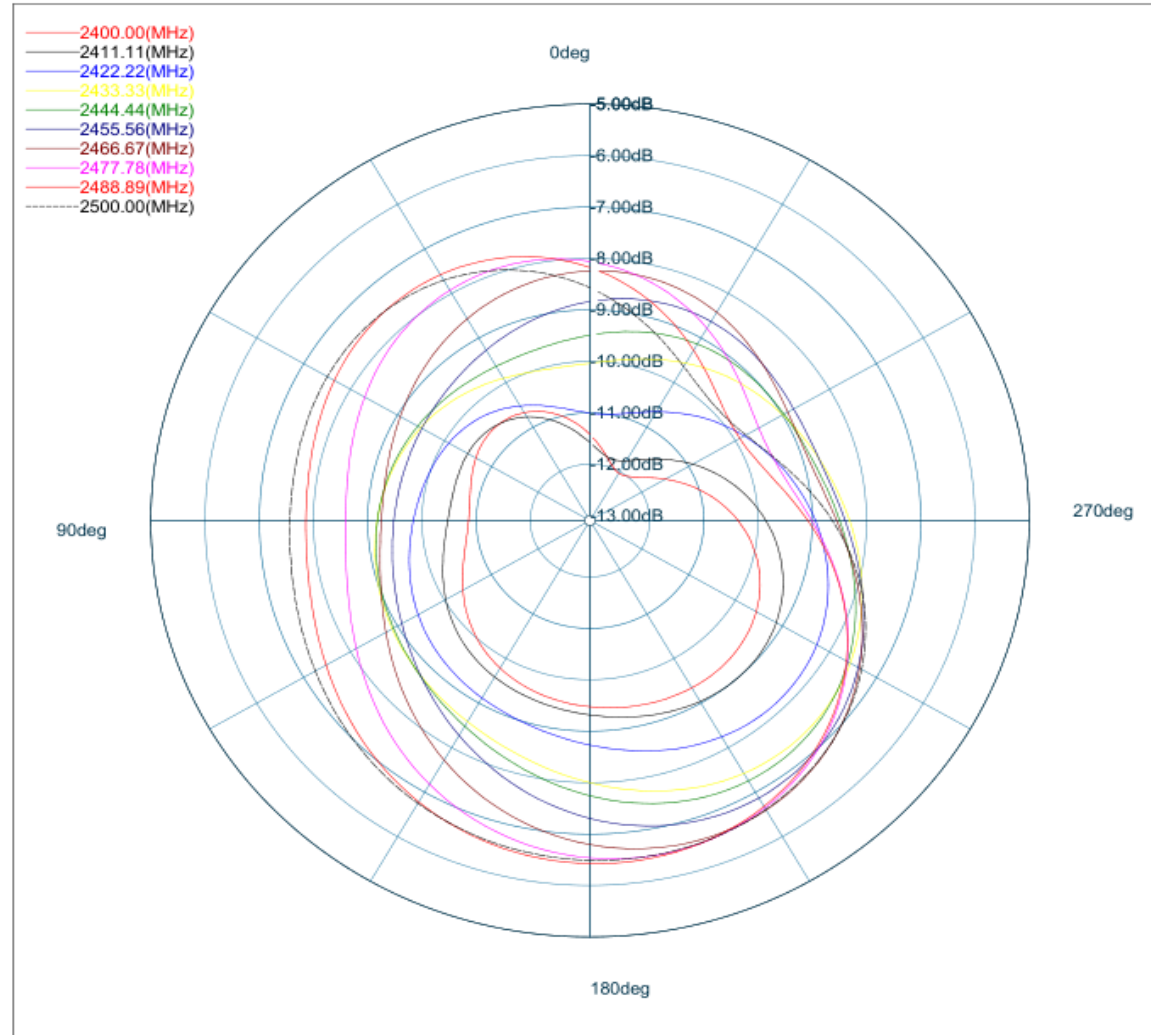


Directivity Measured Data Measuring Instrument: Agilent Technologies E5071B 300kHz-8.5GHz ENA Series Network Analyzer Laboratory System: MVG SG24LT (Satmio)

Passive Report

Manufacturer : Shenzhen Sheng Run Technology Co., Ltd

Model : HY-40R204PC

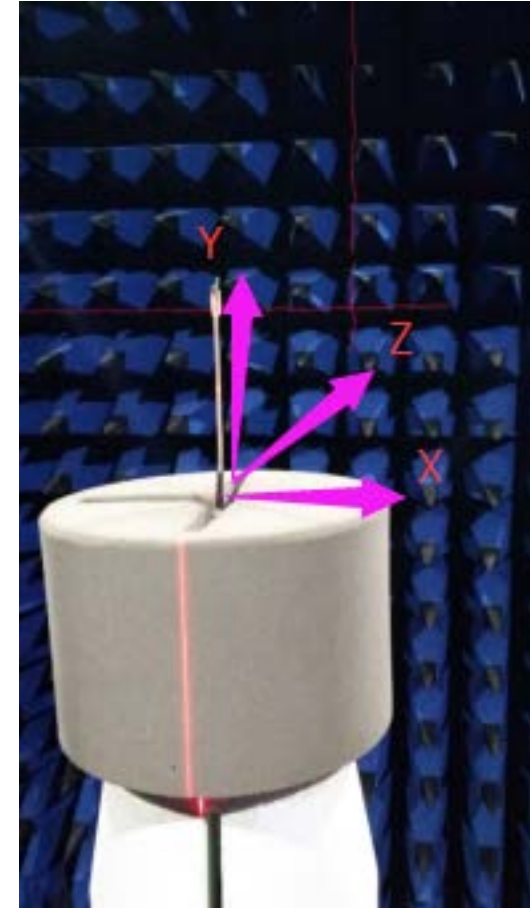
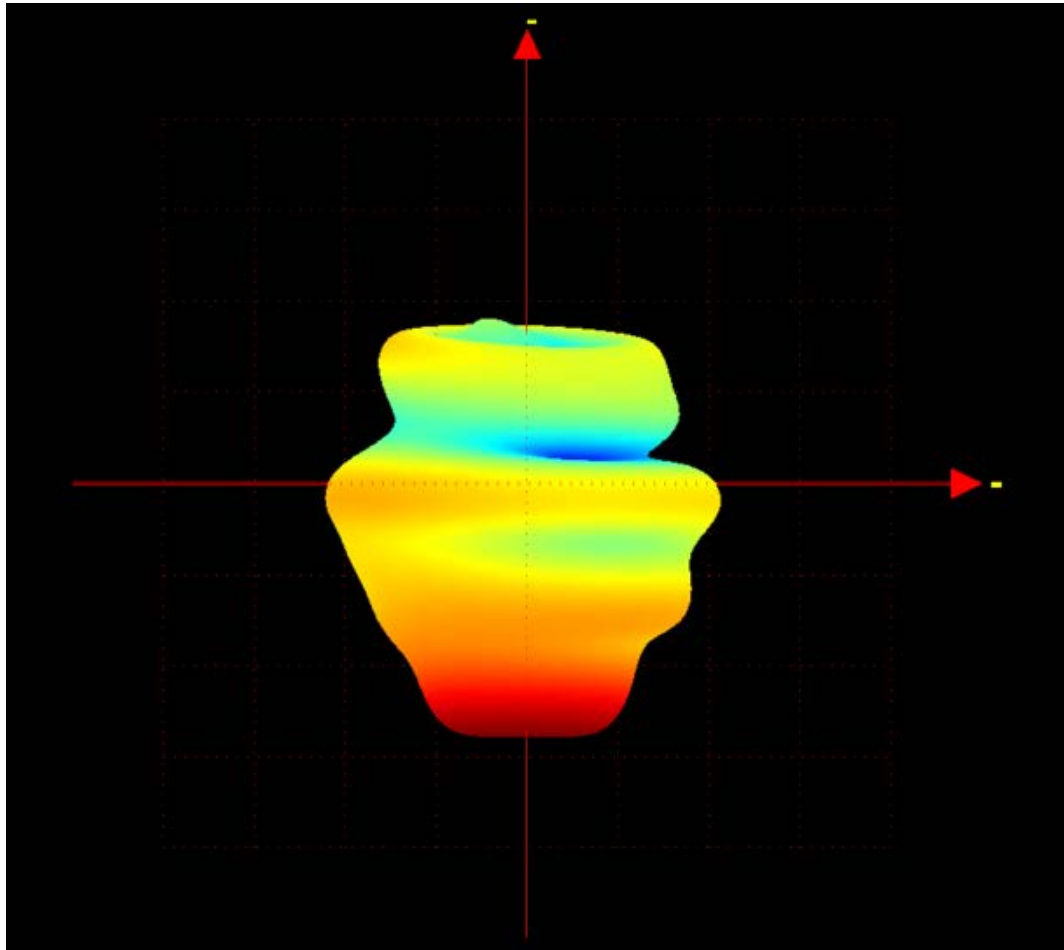


Directivity Measured Data Measuring Instrument: Agilent Technologies E5071B 300kHz-8.5GHz ENA Series Network Analyzer Laboratory System: MVG SG24LT (Satmio)

Passive Report

Manufacturer : Shenzhen Sheng Run Technology Co., Ltd

Model : HY-40R204PC



Directivity Measured Data Measuring Instrument: Agilent Technologies E5071B 300kHz-8.5GHz ENA Series Network Analyzer Laboratory System: MVG SG24LT (Satmio)

Passive Report

Manufacturer : Shenzhen Sheng Run Technology Co., Ltd

Model : HY-40R204PC



1				1	
Frequency	Efficiency	Efficiency . dB	Frequency	Gain . dB	
2400000000	11.98%	-9.2159	2400000000	0.782052	
2411111111	12.57%	-9.00562	2411111111	1.049335	
2422222222	14.03%	-8.52978	2422222222	1.643683	
2433333333	15.36%	-8.13687	2433333333	1.858675	
2444444444	15.69%	-8.0435	2444444444	1.776966	
2455555555	16.95%	-7.70787	2455555555	2.102423	
2466666666	18.24%	-7.38922	2466666666	2.28157	
2477777777	18.72%	-7.27747	2477777777	2.200843	
2488888888	19.26%	-7.154	2488888888	2.313992	
2500000000	19.76%	-7.04308	2500000000	2.266208	

Directivity Measured Data Measuring Instrument: Agilent Technologies E5071B 300kHz-8.5GHz ENA Series Network Analyzer Laboratory System: MVG SG24LT (Satmio)