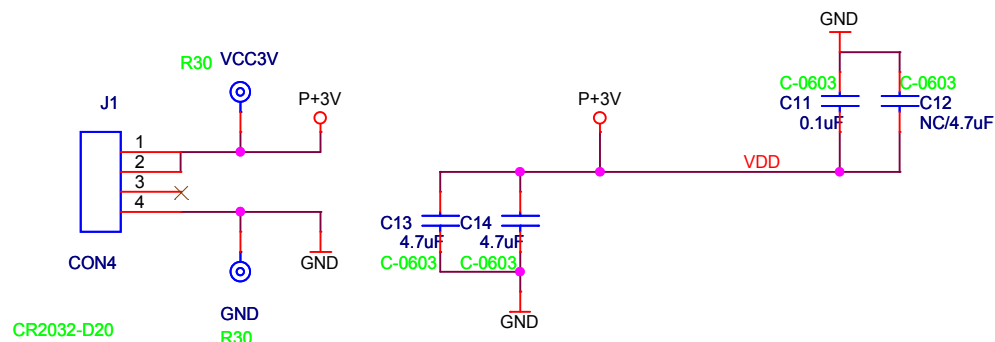
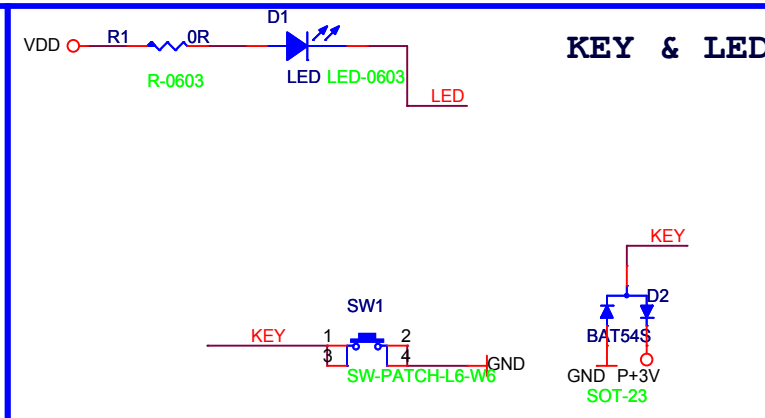


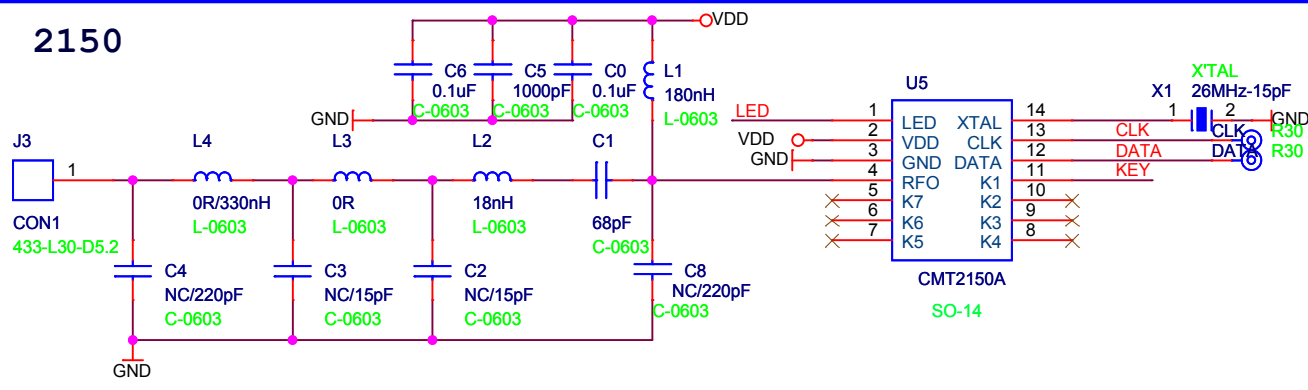
POWER



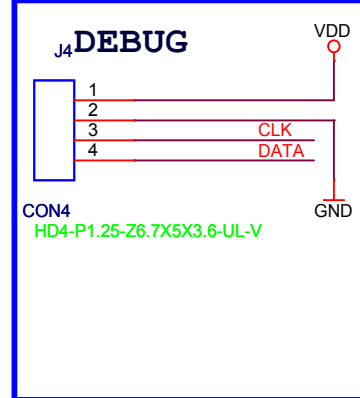
KEY & LED



2150



DEBUG



Shenzhen Xiaojun Technology Co., Ltd.

Title		
02:CMT2150A		
Size	Document Number	Rev
Custom	DB-MINI-SEND	V2.0
Date:	Tuesday, January 08, 2019	Sheet 2 of 3