

Modular Approval Request Letter

Date: 2021-09-12

FCC ID: 2ANOG-A97

Type of Equipment: Wireless Smart Audio Module

The following requirements according to FCC Part 15.212 are met:

**i RF shielding**

The radio portion has its own shielding (see external photos)

**ii Buffered modulation/data inputs**

It has been integrated in the chipset AP6256.

**iii Power supply regulation**

It is integrated in circuits of U1/U2.

**iv Antenna requirements section 15.203, 15.204 b and 15.204 c**

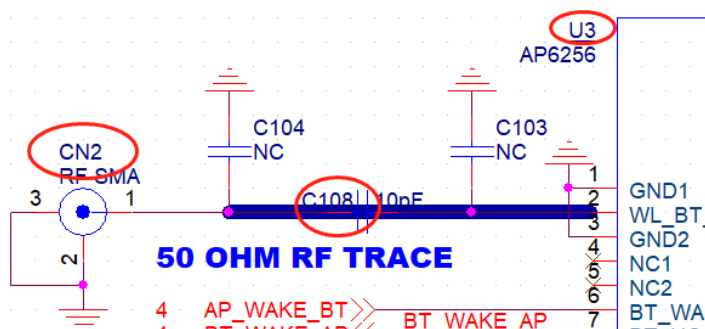
The module only provides one U.FL Gen1 connector. Spurious emission requirements are met (Refer to the attached test report)

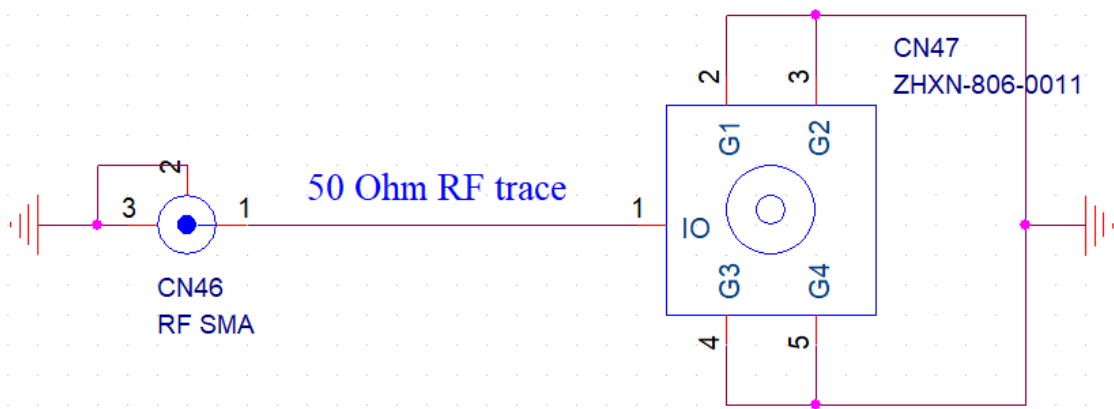
**v Stand alone test configuration**

Please refer to test setup configuration photos and as the schematics show, The RF path from A97 series module to EVB via U3(AP6256), C108 (filter capacitor), CN2 (IPEX Connector), 20cm RF cable, CN46 (IPEX Connector) and CN47 (SMA Connector) in turn. This setup does not affect RF test results.

The U3, C108, and CN2 devices are designed on A97 module, CN46 and CN47 devices are designed on EVB. Both CN46 and CN47 are standard RF connector (As shown below).

EVB is only used to assist A97 authentication (It provides 5V DC power supply for A97 module). Its interfaces include Micro USB, USB Type-A, 3.5mm phone jack, key array, MIC array and LED array etc, so the EVB does not affect the RF test results.





**vi Labelling**

The module has its own label. The instruction of labelling rules for the host device has been stated in the user manual.

**vii Compliance on specific rule or operating requirements**

The required FCC rules has been fulfilled and all instructions of maintaining compliance are clearly stated in the user manual.

**viii RF Exposure**

RF exposure requirements are fulfilled for mobile configuration. The installation of the module is restricted to mobile host devices what is clearly stated in the installation instruction of the user manual.

For portable applications, OEM integrators need SAR evaluation and an own FCC ID.

*Cunxue Wang*

---

Name: Cunxue Wang  
Title: HW Manager  
Company: Linkplay Technology Inc.