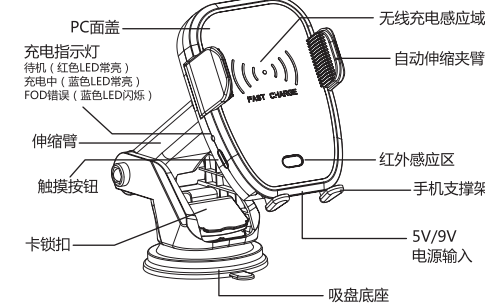


智能车载·无线充电支架
用户使用手册

产品简介

此智能车载无线充电支架是一款智能化产品，支持10W(7.5W)快充，兼容5W充电功能，产品设计智能、安全，支持Qi标准，兼容所有支持Qi标准协议的无线充电手机，手机在充电时无需再插数据线，为您提供了一个方便及安全的充电环境。

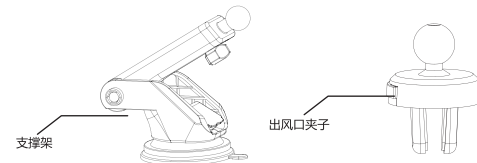
产品概述



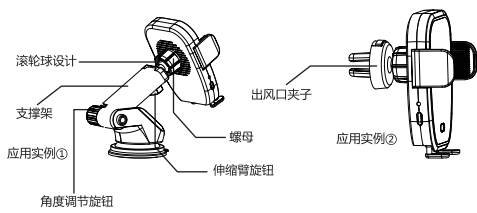
批注：此产品数据为实验室测试所得，或因实际使用情况出现细微误差。

操作指南

1. 首先根据实际使用需求，选择支撑架或出风口夹子；



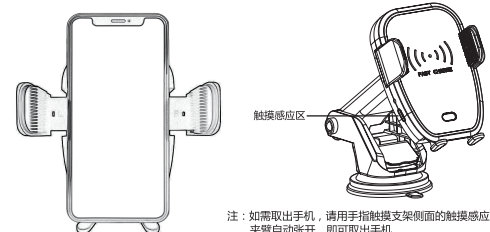
2. 选用支撑架或出风口夹子后，对准安装螺母位置，旋转螺母卡紧支撑架或出风口夹子；



3. 把组装好的智能车载无线充电支架，安装在汽车内的空调出风口或中控台等其它相应位置，连接好USB数据线，此时充电指示灯为红色LED常亮(待机状态)



4. 把手机放置于智能车载无线充电支架100mm范围内，此时自动开合夹臂张开，然后把手机放入夹臂内，夹臂会自动闭合，此时充电指示灯为红色LED熄灭，蓝色LED常亮进入无线充电状态。



适用机型

iPhone 8 / 8 PLUS / iPhone X
SAMSUNG S6 / S6 Edge / S6 Edge+ / S7 / S7 Edge / S8 / S8+ / S9 / S9+
Note5 / Note8
NOKIA Lumia 820 / 830 / 920 / 930 / 1020 / 1050 / 1520
GOOGLE Nexus 4 / 5 / 6 / 7

产品清单

智能车载无线充电支架x1
支撑架x1
出风口夹子x1
USB线x1
用户手册x1

基本参数

输入：5V / 2A / 9V/1.67A
输出功率：7.5W / 10W / 5W
充电距离：≤8mm
充电转化率：≥76%

※ 注意事项

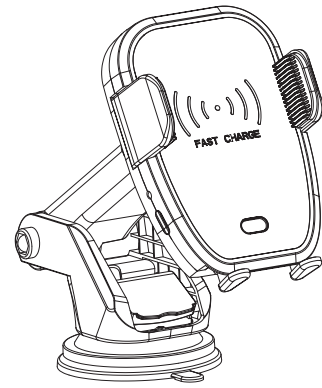
1. 支持所有设备应支持Qi标准；
2. 如需启动快速充电，请使用QC 2.0 及以上适配器；
3. 不支持带有磁性、金属、环形支架的手机外壳；
4. 请保持产品远离水及其它液体；
5. 如需清理智能车载无线充电支架，请拔掉电源后在清理。

本设备已经过测试，符合WPC设备的限制，根据FCC规则第18部分。这些限制在提供合理保护住宅设施中的有害干扰。该设备会产生，使用并辐射射频能量，如果没有安装并按照说明使用，可能会造成有害干扰无线电通信。但是，无法保证不会发生干扰特定的安装。如果此设备确实对收音机或电台造成有害干扰电视接收，可以通过关闭和打开设备来确定，鼓励用户尝试通过一个或多个来纠正干扰

调整方法：

- 重新调整或摆放接收天线。
- 增加设备和接收器之间的距离。
- 将设备连接到不同于r的电路上的插座eceiver已连接。
- 咨询经销商或有经验的无线电/电视技术人员以寻求帮助。

注意：未经当事方明确批准的变更或修改负责合规可能会使用户无权操作该产品。

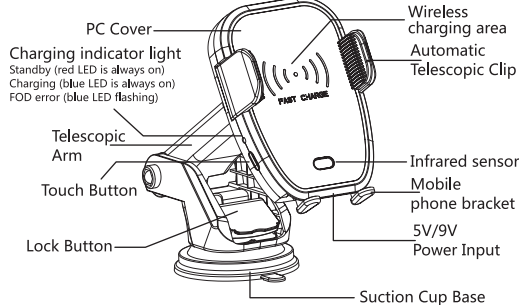


Wireless Car Charger & Automatic Induction Car Holder
User Manual

Product Introduction

This smart wireless car charger holder is an intelligent product, support 10W(7.5W) fast charging, compatible with 5W charging. With smart and safe design, it is Qi standard which compatible with all mobile phones enable Qi Standard, wireless when charging gives you convenient and safe charging environment.

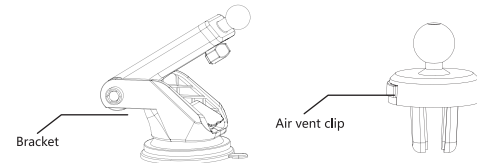
Product Overview



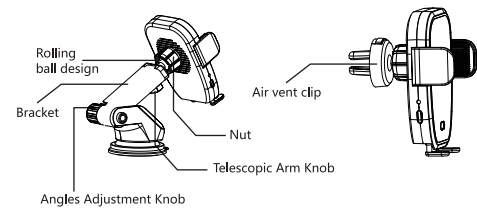
Remark: All data of this product came from laboratory tests, may have a little bit errors in actual using.

Operation Guide

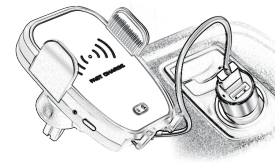
1. According to actual use, select the suction mount or air vent mount



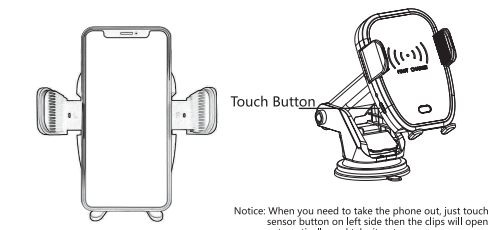
2. After selecting one of them, aim at the position of nut, then rotate to tighten it with suction mount or air vent mount;



3. Install the whole set of smart wireless car charger holder into air vent or center console or any other locations, connect the USB cable, at the meantime charging indicator light is in red(standby status)



4. The two clips will automatically open and grip your phone when you put the phone close to the holder within 100mm, then red light off and blue LED light on means it is charging



Wireless Charge Compatible Devices

iPhone 8 / 8 PLUS / iPhone X
Samsung S6 / S6 Edge / S6 Edge+ / S7 / S7 Edge / S8 / S8+ / S9 / S9+
Note5 / Note8
NOKIA Lumia 820 / 830 / 920 / 930 / 1020 / 1050 / 1520
GOOGLE Nexus 4 / 5 / 6 / 7
All Qi standard Devices

Package includes

1 x Smart Wireless Car Charger Holder
1 x Suction Mount
1 x Air Vent Mount
1 x USB Cable
1 x Instruction Manual

Parameters

Input: 5V / 2A; 9V / 1.67A
Output power: 7.5w / 10W / 5W
Charging distance: ≤8mm
Charging efficiency: ≥76%

※ Precautions

1. Support all devices enable Qi standard;
2. If need fast charging, please use QC 2.0 or above adaptor;
3. All phone cases of magnetic, metal or ring holder are not supported;
4. Please keep the product away from water or other liquid;
5. If need to clean it, please power off it before doing.

This equipment has been tested and found to comply with the limits for a WPC device, pursuant to Part 18 of the FCC Rules. These limits are designed to provide reasonable protection against harmful interference in a residential installation. This equipment generates, uses and can radiate radio frequency energy and, if not installed and used in accordance with the instructions, may cause harmful interference to radio communications. However, there is no guarantee that interference will not occur in a particular installation. If this equipment does cause harmful interference to radio or television reception, which can be determined by turning the equipment off and on, the user is encouraged to try to correct the interference by one or more of the

following measures:

- Reorient or relocate the receiving antenna.
 - Increase the separation between the equipment and receiver.
 - Connect the equipment into an outlet on a circuit different from that to which the receiver is connected.
 - Consult the dealer or an experienced radio/TV technician for help.
- CAUTION: Changes or modifications not expressly approved by the party responsible for compliance could void the user's authority to operate the product.