



User Guide

XTREME OUTDOOR SOUNDBAR

MODEL: SPK-080



www.peerless-av.com



⚠ WARNING

ENG - This product is designed to be installed on wood stud, solid concrete or cinder block walls. Before installing make sure the supporting surface will support the combined load of the equipment and hardware. Screws must be tightly secured. Do not overtighten screws or damage can occur and product may fail. Never exceed the Maximum Load Capacity. Always use an assistant or mechanical lifting equipment to safely lift and position equipment. Be careful not to pinch fingers when operating the mount. For support please call customer care at 1-800-865-2112.

ENG Symbols



ENG WARNING

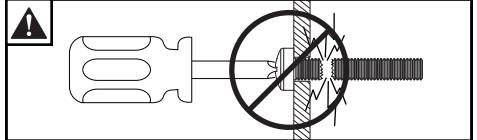
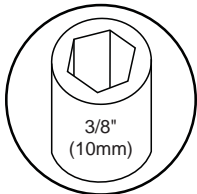
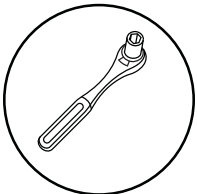
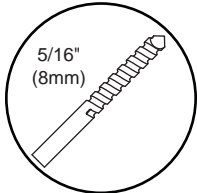
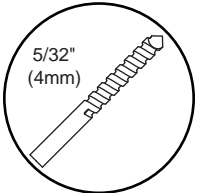
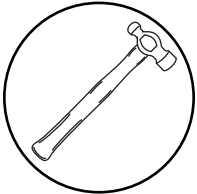
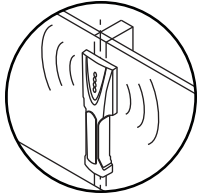
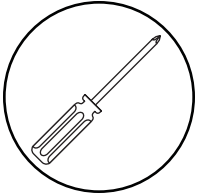
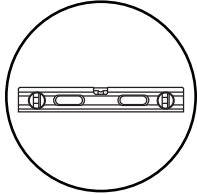
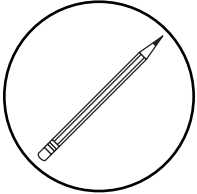


ENG Screws must get at least three full turns and fit snug.

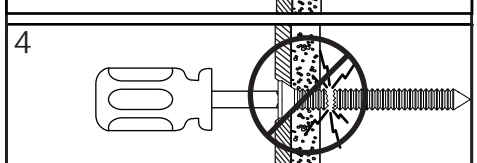
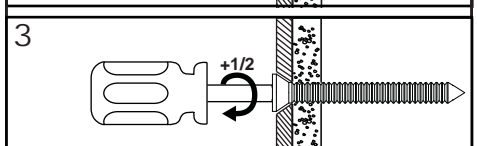
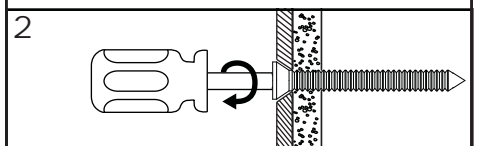
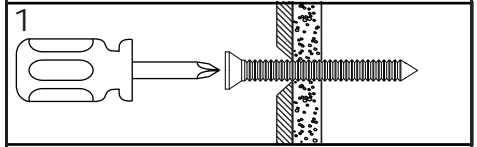
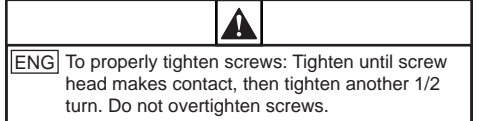


ENG Skip to step.

ENG Tools Needed for Assembly.



ENG Do not overtighten screws.



GENERAL SAFETY PRECAUTIONS

▲ WARNING

RISK OF ELECTRICAL SHOCK

To reduce the risk of electric shock, do not disassemble the unit under any circumstances. No user serviceable parts inside. All product services should be done by the Peerless-AV certified service personnel.

Read before operating equipment

Thank you for purchasing our product. Before using it, please read this user manual carefully and follow the instructions correctly for safe operation. Please keep this manual handy for future reference. Also, please be sure to always include this user manual in the packaging when transferring or transporting this product to a different location.

Batteries Installed Warning

CAUTION - Danger of explosion if batteries are incorrectly replaced. Replace only with the same or equivalent type. The batteries shall not be exposed to excessive heat such as sunshine, fire or the like.

NOTE - The soundbar remote control does not carry an IP rating. Do NOT allow the remote control to get wet. Do NOT leave the remote control outside when the soundbar is not in use.

CAUTION:

These servicing instructions are for use by qualified service personnel only. To reduce the risk of electric shock, do NOT perform any servicing other than that contained in the operating instructions unless you are qualified to do so.

1. Read these instructions.
2. Keep these instructions.
3. Heed all warnings.
4. Follow all instructions.
5. Do NOT defeat the safety purpose of the polarized or grounding type plug. A polarized plug has two blades with one wider than the other. A grounding type plug has two blades and a third grounding prong. The wide blade or the third prong are provided for your safety. If the provided plug does not fit into your outlet, consult an electrician for replacement of the obsolete outlet.
6. Protect the power cord from being walked on or pinched particularly at plugs, convenience receptacles, and the point where they exit from the apparatus.
7. Refer all servicing to qualified service personnel. Servicing is required when the apparatus has been damaged in any way, such as power-supply cord or plug is damaged, does not operate normally, or has been dropped.
8. Only use attachments/accessories specified by the manufacturer.
9. In case of emergency such as fire or electric shock caused by the product, immediately contact 911 or proper emergency police/fire service agencies in your country.
10. Follow instructions for wall, shelf or ceiling mounting as recommended by the manufacturer.
11. Use properly rated power voltage. Use of non-rated voltage may cause fire, electric shock and severe damages to the product.
12. Do NOT open the cabinet under any circumstances. High voltage inside of this product may cause electric shock.
13. Do NOT, under any circumstances, modify or disassemble this product as it may cause fire, electric shock, or severe damages to the product. Also any unauthorized modifications made to the product automatically void product warranty.
14. Never touch antenna lines, wires, if applicable, power cables or power plugs in such circumstances as lightning and thunder as it may cause electric shock.
15. Any severe physical impact on the product may cause certain components to fall out of place within and break, which may cause fire or electric shock. In such event, do not operate the product. Contact the manufacturer for support.
16. Periodically clean dust off the power plug, to keep it clean and dry, ensuring proper and safe operation of the product.
17. Do NOT destroy, process, or place the product close to any heating device; do NOT bend or twist power cords, power plugs, cables, or wires with excessive force; do NOT place any heavy object on the product as all of the above may cause damages to the product and result in fire or electric shock.

18. Do NOT touch power plugs with wet hands.
19. Always make sure to plug in the power plug firmly and completely. Incompletely placed power plugs may cause fire or electric shock due to built up heat emission.
20. Do NOT use any non-rated power sockets or power strips with many other devices jointly plugged in. The wire of non-designated capacity may cause fire due to built up heat emission. Try to use a single, directly dedicated and rated GFI power socket for the product for safe operation.
21. In case of product malfunction or unusual events such as electrical burning smell, smoke, or loss of content signals on soundbar due to internal overheating, immediately turn off and unplug the power and contact the manufacturer.
22. Do NOT install the product at such unstable locations as moving objects, constantly vibrating props, or uneven surfaces. Improper installation may cause products to fall off. Follow mounting instructions properly for safe operation of the product.
23. Do NOT install the product near any poisonous gas or chemically unstable atmosphere as it may cause fire.
24. Do NOT install the product near any strong magnetic or electrical current field. It may cause fire, electric shock, or severe damages to the product. The product may be subject to any electromagnetic radiation, causing failure.
25. Do NOT leave any fire source, such as candles, close to or on the product as it may be a cause for fire or damages to the product.
26. Do NOT move or transport the product with any cables (power cables, content connectivity cables) plugged in to the source devices. Damages may occur to the cables, plugs, or jointing connectors of the cables due to forcible bending and stress, which may cause damages to the waterproof seal of the product, making it subject to fire, electric shock, or shorted circuit.
27. When unplugging, always grab the plugs of power cords or cables. Improper pulling of the cords or cables may cause damages to the waterproof seal of the product, making it subject to fire, electric shock, or shorted circuit.
28. Do NOT climb on the product.
29. Do NOT use any other power cords or connection cables than what is provided with the product or from the manufacturer directly. Use of untested, unauthorized, or substituted power cords or connection cables may be a cause for malfunction, fire, electric shock, or severe damages to the product. Also such use of improper or undesignated power cords or connection cables will void product warranty.
30. Always leave the power Off when plugging or unplugging the power cords or connection cables to avoid electric shock or damages to the product.
31. Do NOT use any chemical such as paint thinner or benzene to clean the product's exterior. It may cause scratches on the surface, erasing proper indications, identification labels, or instructions on the exterior, which may be a cause for misuse and improper operation of the product.
32. Never power wash or spray water at the front grill of the soundbar. While the speaker gaskets are IP65 rated and won't allow ingress of water to the electrical components, doing so may cause damage to the drivers and void the warranty.

FCC CAUTION

To assure continued compliance and possible undesirable interference, ferrite cores may be used when connecting this TV to video equipment; maintain at least 400mm (15.75 inches) spacing to other peripheral devices.

FCC STATEMENT

This equipment has been tested and found to comply with the limits for a Class B digital device, pursuant to Part 15 of the FCC Rule. These limits are designed to provide reasonable protection against harmful interference in a residential installation. This equipment generates, uses and can radiate radio frequency energy and, if not installed and used in accordance with these instructions, may cause harmful interference to radio communications; however, there is no guarantee that interference will not occur in a particular installation. If this equipment does cause harmful interference to radio or television reception, which can be determined by turning the equipment off and on, the user is encouraged to try to correct the interference by one or more of the following measures:

1. Reorient or relocate the receiving antenna.
2. Increase the separation between the equipment and receiver.
3. Connect the equipment into an outlet on a circuit different from that to which the receiver is connected.
4. Consult the dealer or an experienced radio/TV technician for help.

This device complies with Part 15 of the FCC Rules. Operation is subject to the following two conditions:

- This device may not cause harmful interference.
- This device must accept any interference received, including interference that may cause undesired operation.

FCC Caution: Any changes or modifications not expressly approved by the party responsible for compliance could void the user's authority to operate this equipment.

Relevant Information

Record your soundbar's model and serial number here for future reference. Keep this user manual in an accessible location in the event settings need to be changed or service is desired.

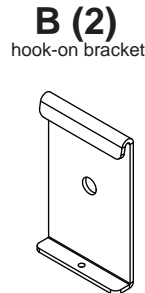
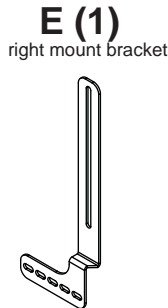
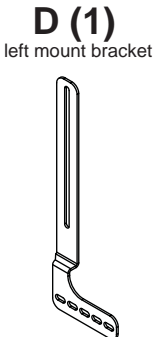
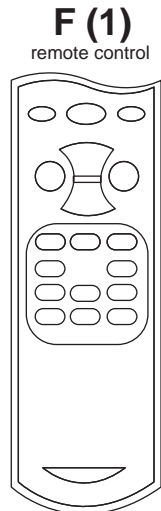
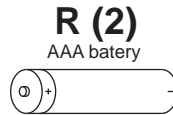
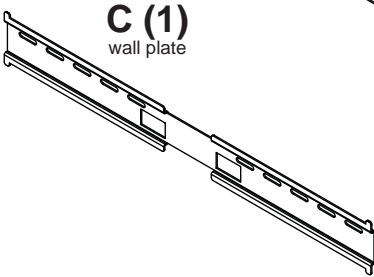
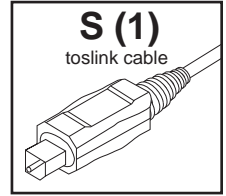
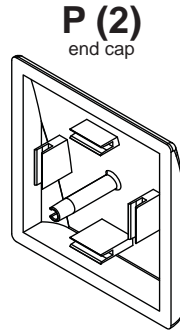
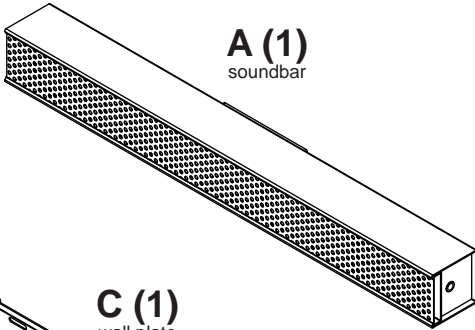
Note: Your soundbar's serial number can be found on the box and on the rear input panel.

Model Number _____

Serial Number _____

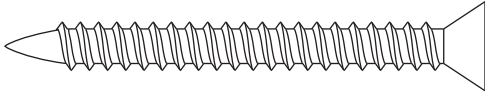
Parts List

Description	Qty	Part #
A soundbar	1	soundbar
B hook-on bracket	2	180-0265
C wall plate	1	180-0264
D left mount bracket	1	180-0268
E right mount bracket	1	180-0267
F remote control	1	remote
G #14 x 2.5" wood screw	2	520-D1033
H 8mm concrete anchor	2	590-0320
I lock washer	2	540-3622
J nylon washer	2	590-1231
K M8 X 25mm socket pin screw	2	520-D1101
L M8 x 40mm socket pin screw	2	520-D1152
M .5" spacer	2	540-1059
N .25" spacer	2	540-1002
O M5 x 10mm self-tapping	2	520-D1164
P end cap	2	590-0407
Q 4mm security allen wrench	1	520-1129
R AAA batery	2	410-0040
S toslink cable	1	410-0098



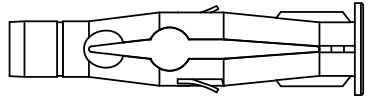
G (2)

#14 x 2-1/2" wood screw



H (2)

8mm concrete anchor



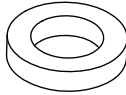
I (2)

lock washer



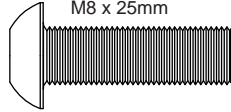
J (2)

nylon washer



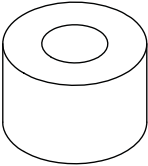
K (2)

M8 x 25mm



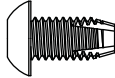
M (2)

.5" spacer



O (2)

M5 x 10mm



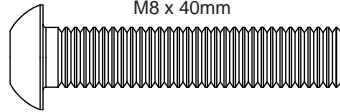
Q (1)

4mm allen wrench



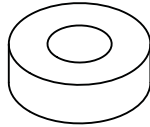
L (2)

M8 x 40mm

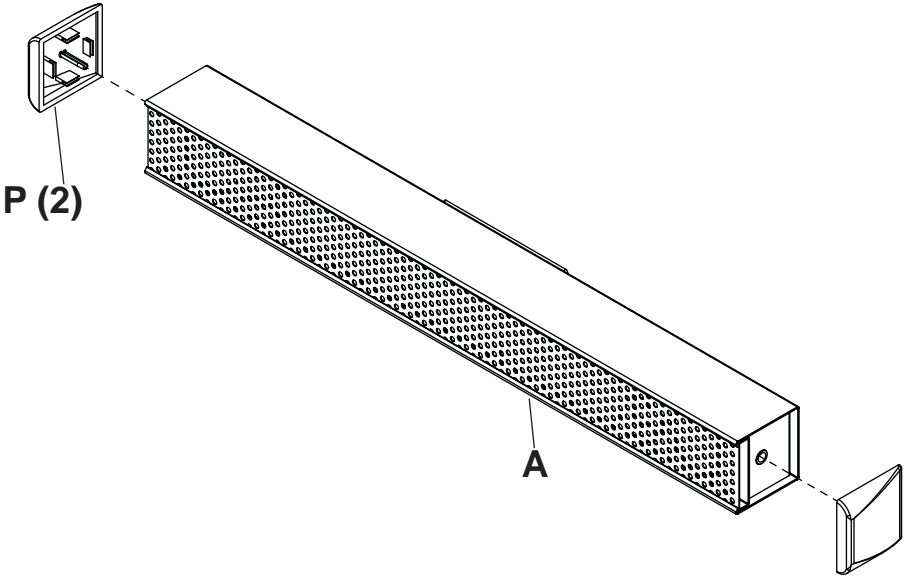


N (2)

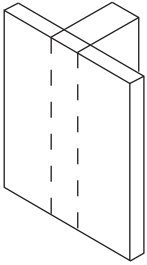
.25" spacer



1



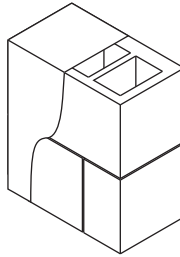
2



Wood stud wall.



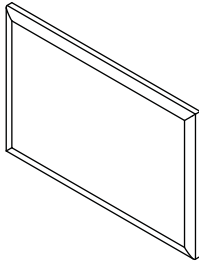
2a-1



Concrete/Cinder block.



2b-1



Display.

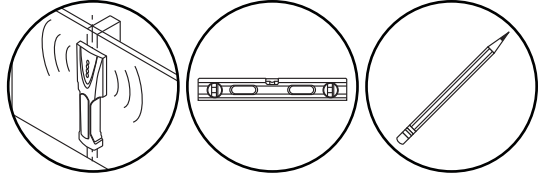
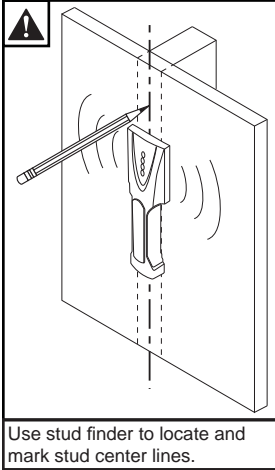


2c-1

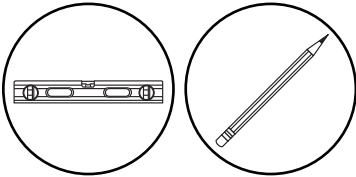
▲ WARNING

ENG - When installing Peerless wall mounts on a wood stud wall covered with gypsum board (drywall), verify that the wood studs are a minimum of 2" x 4" nominal size. Do not install over gypsum board thicker than 5/8".

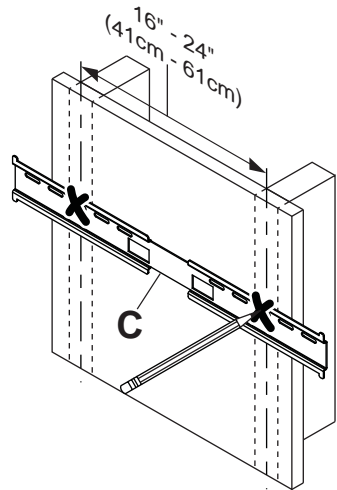
2a-1



2a-2

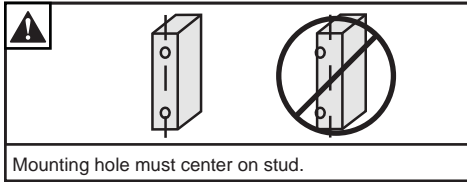
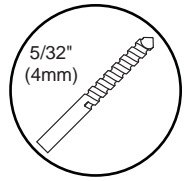
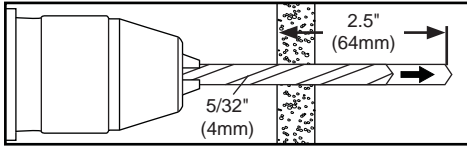


Level wallplate. Mark mounting holes on stud center lines.



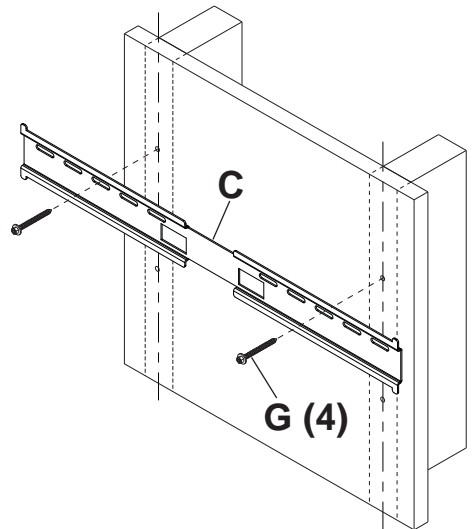
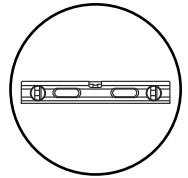
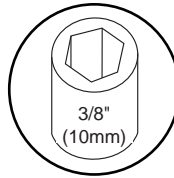
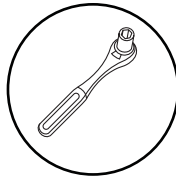
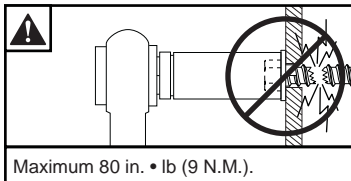
2a-3

Drill mounting holes into supporting surface
(2.5" (64mm) minimum depth required).



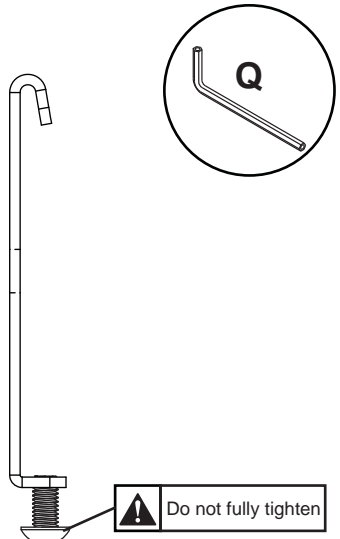
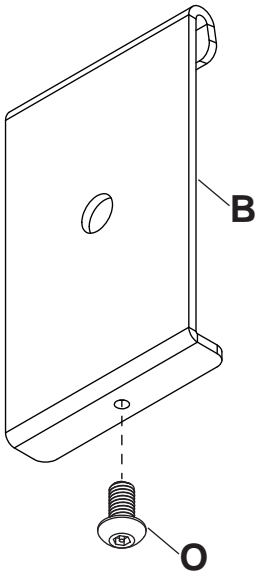
2a-4

Level wallplate. Install using wood
screws provided.

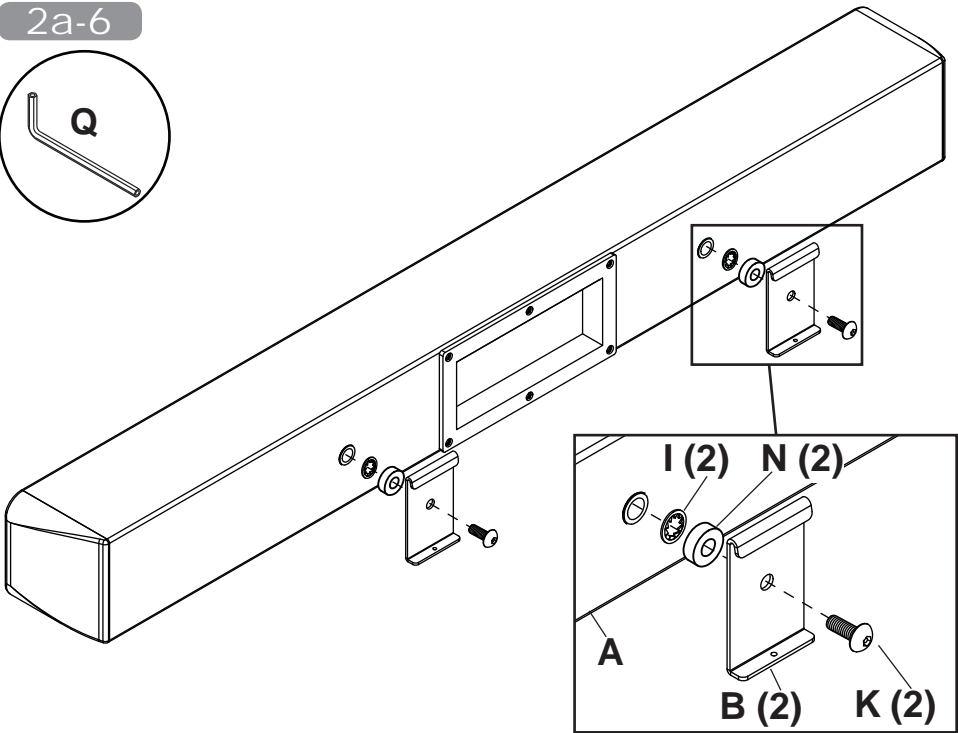
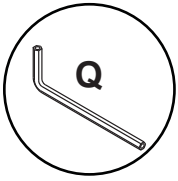


2a-5

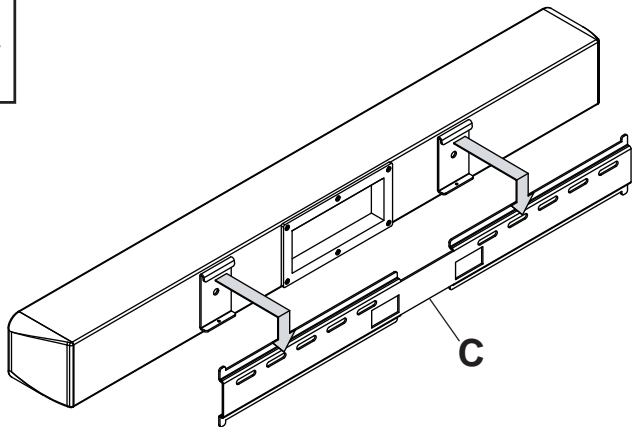
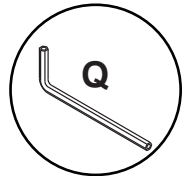
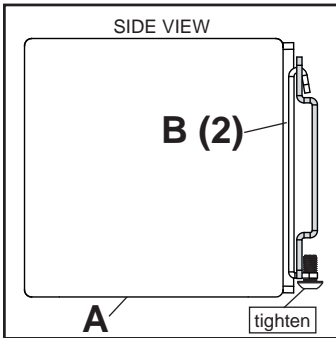
x2



2a-6



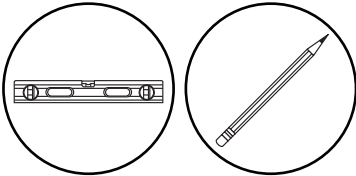
2a-7



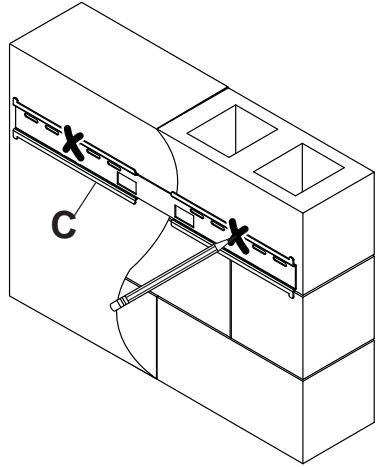
▲ WARNING

ENG - When installing Peerless wall mounts on a concrete wall, the wall must be at least 8" thick with a minimum compressive strength of 2000 psi. When installing Peerless wall mounts on a cinder block wall, the cinder blocks must meet ASTM C-90 specifications and have a minimum nominal width of 8". Do not drill into mortar joints! Be sure to mount in a solid part of the block, generally 1" (25 mm) minimum from the side of the block. It is suggested that a standard electric drill on slow setting is used to drill the hole instead of a hammer drill to avoid breaking out the back of the hole when entering a void or cavity. Never attach concrete expansion anchors to concrete or cinder block covered with plaster, drywall or other finishing material.

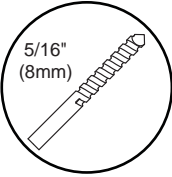
2b-1



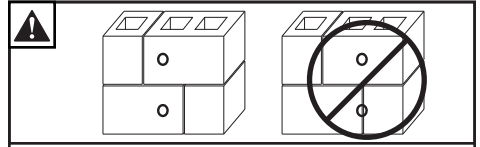
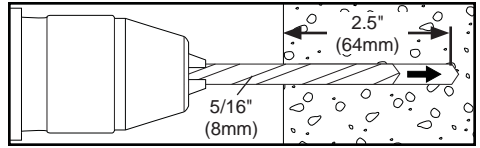
Level wallplate. Mark mounting holes.



2b-2

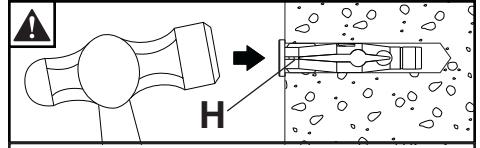
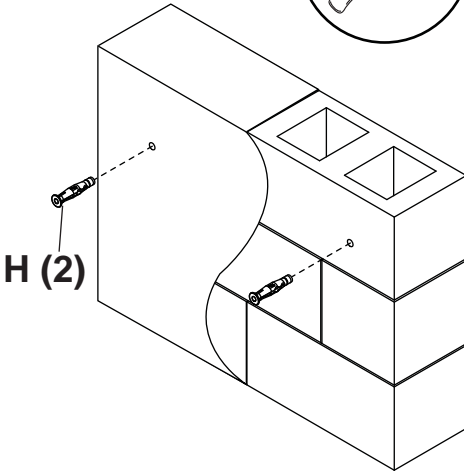
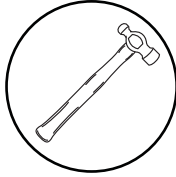


Drill mounting holes into supporting surface (2.5" (64mm) minimum depth required).



Do not drill into mortar joints.

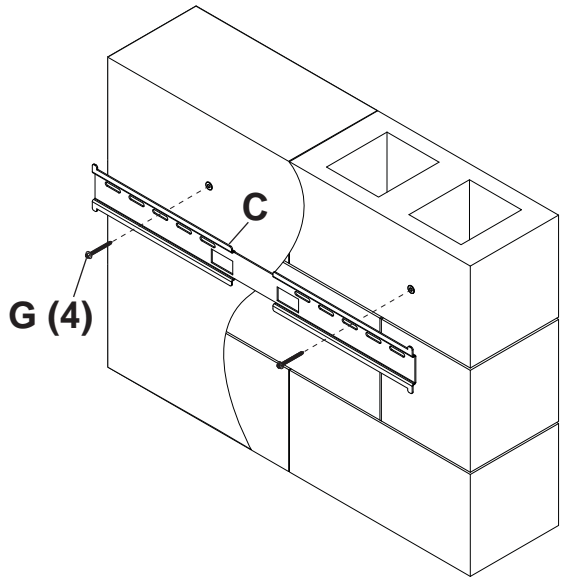
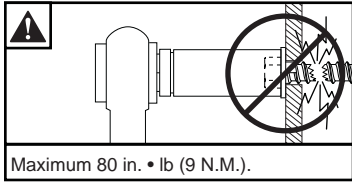
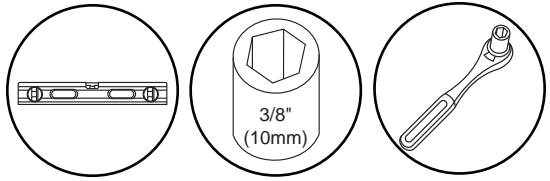
2b-3



Insert anchor flush to concrete.

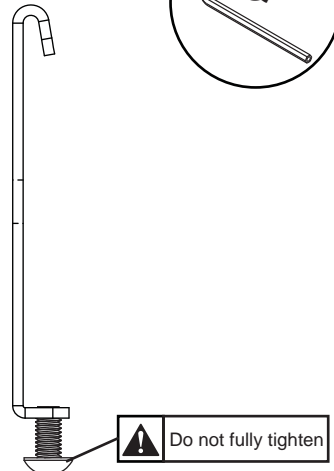
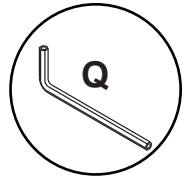
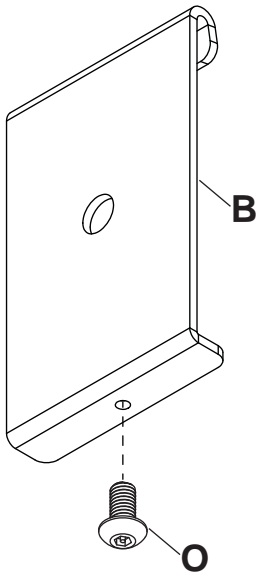
2b-4

Level wallplate. Install using concrete anchors and wood screws provided.

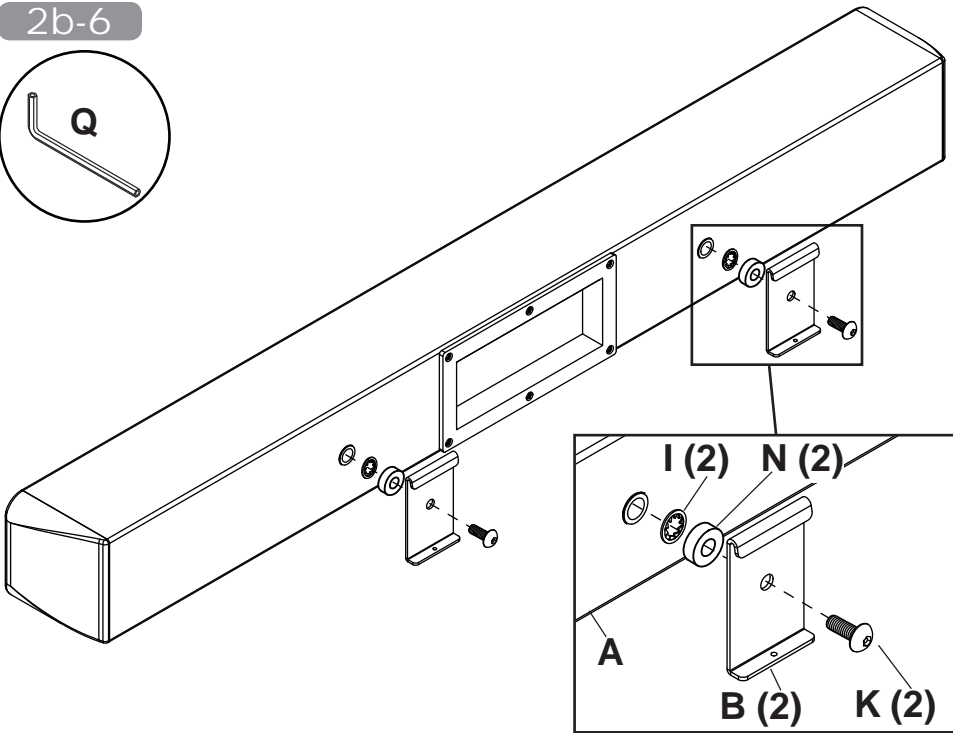
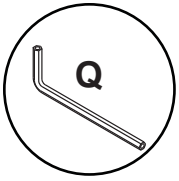


2b-5

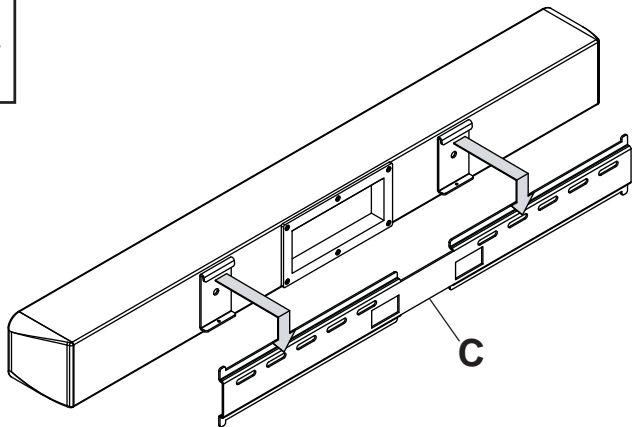
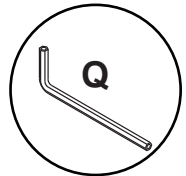
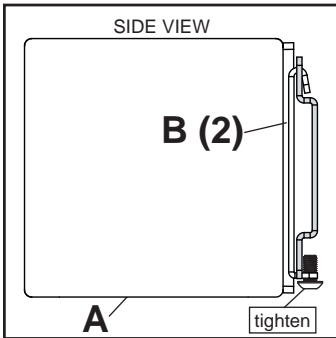
x2



2b-6

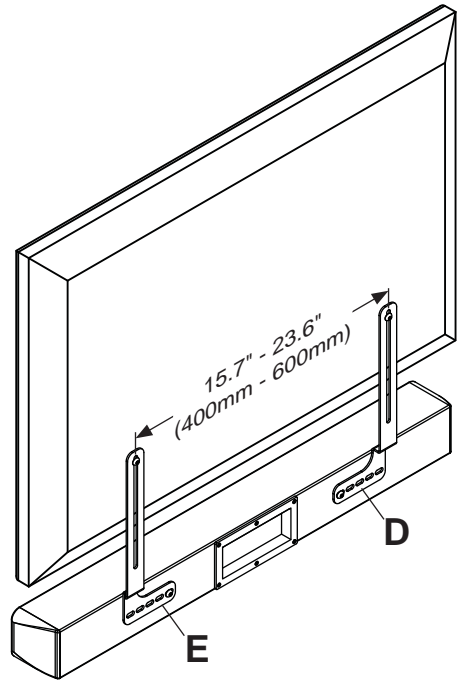
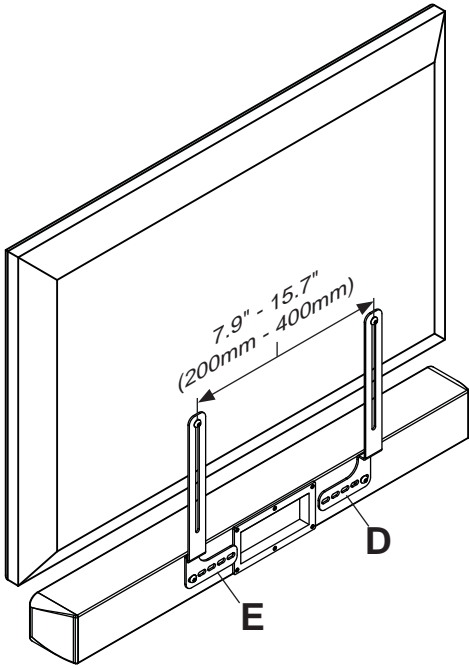


2b-7



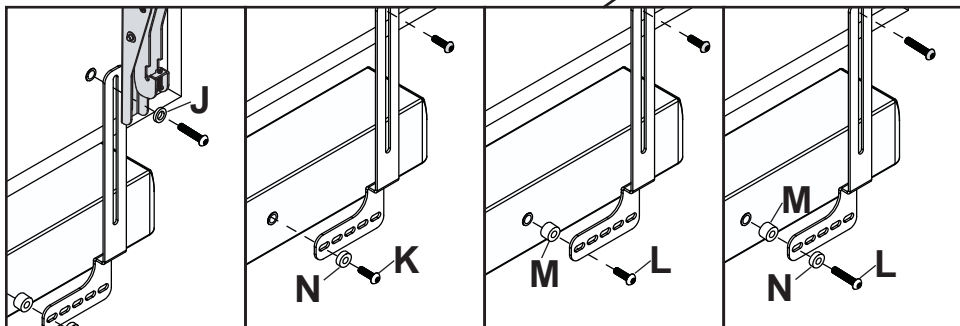
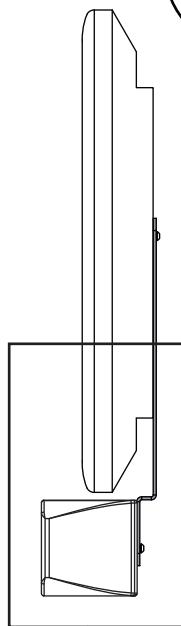
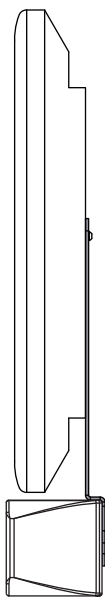
2c-1

Position display screen-side down on a flat, clean surface.
Position soundbar grill-side down either above or below display. Determine which bracket configuration below fits your display



2c-2

Determine which hardware to use based on the depth needed.



*Hardware included for installing soundbar only. To attach display, use hardware included with display mount.

Battery Installation and Replacement

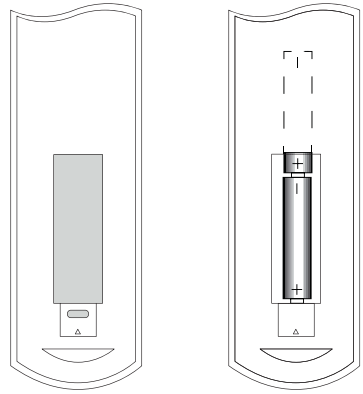
The remote control is powered by two 15V AAA batteries. To install or replace batteries:

1. Install/Replace the batteries by removing the battery cover and sliding in two new "AAA" batteries.
Important: Match the batteries to the (+) and (-) marks on the inside of the remote control.
2. Snap the battery cover back onto the remote control.

⚠ CAUTION

Incorrect usage of batteries can result in leaks or bursting. Peerless-AV recommends the following battery use:

1. Do NOT mix battery brands.
2. Do NOT combine new and old batteries. This can shorten the battery life or cause liquid leakage of the batteries.
3. Remove dead batteries immediately to prevent battery acid from leaking into the battery compartment.
4. Do NOT touch exposed battery acid as it may injure skin.
5. Remove the batteries if you do not intend to use the remote control for a long period of time.



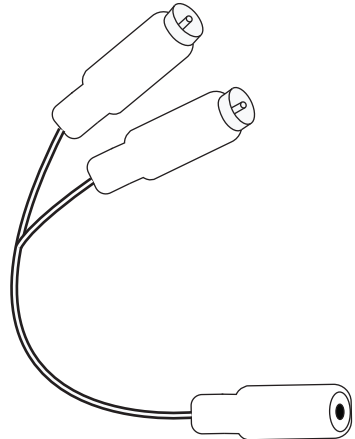
Cable Management and Soundbar Orientation

For Digital Connection:

1. Connect the provided toslink cable to the optical digital audio out port on the TV. Make sure the cable is fully inserted.
2. Plug the other end of the optical cable into the optical port on the soundbar. Make sure that there are no excessive bends or pinch points when connecting the optical cable.
3. Plug the soundbar's power cable into the nearest outlet.
4. **Note:** When optical digital audio port is not being used on the soundbar the port cover should remain closed

For Analog Connection:

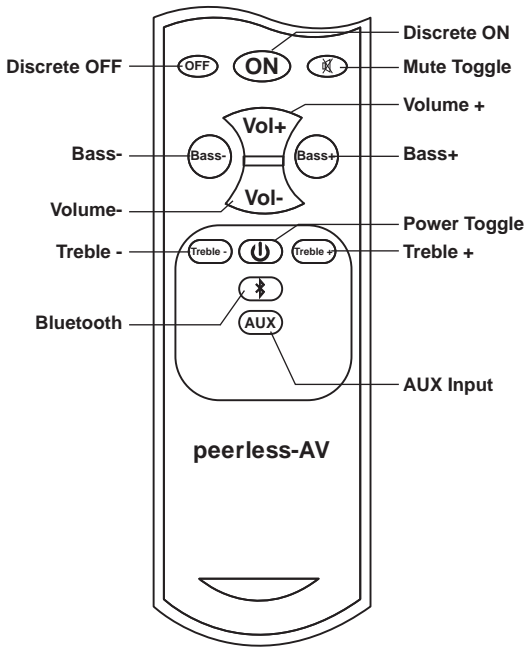
1. Connect the soundbar's 3.5mm audio cable to the audio out port on the TV. Make sure the 3.5mm audio cable is fully inserted.
2. Plug the soundbar's power cable into the nearest outlet.
3. **Note:** If the audio output of the TV is RCA stereo, a female 3.5mm to male RCA stereo audio cable will be required.



Female 3.5mm to male RCA stereo audio cable (sold separately)

OPERATING INSTRUCTIONS

Using The Remote Control



1. Turn on the TV.
2. Turn on the soundbar by aiming the included remote at the front of the soundbar and pressing the ON button. Your soundbar will begin to play the audio coming from your display. If you don't hear any audio coming from the soundbar aim the remote at the soundbar and press the AUX button. You should see a green light illuminated when the Aux input is selected. When AUX is selected on the soundbar it will support both the analog 3.5mm input and the optical digital audio input.
3. To listen to a Bluetooth® enabled device, aim the included remote at the front of the soundbar and press the button with the Bluetooth icon on it.
4. When the soundbar is switched to the Bluetooth input a blue light will appear on the soundbar. Make sure that Bluetooth function is enabled on the device that is being connected and that the device is within Bluetooth range (33'). Scan for devices on your Bluetooth enabled device and select "Peerless-AV" from the list of devices. Start playing content from your Bluetooth enabled device.

Remote control functions

- Discrete Off – Powers the soundbar Off
- Discrete On – Powers the soundbar On
- Mute – Toggles the mute on and off
- Bass - – Decreases the bass level
- Bass + – Increases the bass level
- Volume + – Increases the output level
- Volume - – Decreases the output level
- Treble - – Decreases the treble level
- Treble + – Increases the treble level
- Power – Toggles power on and off
- Bluetooth – switches to bluetooth input
- AUX – switches to 3.5mm/optical input

NOTE - The soundbar remote control does not carry an IP rating. Do NOT allow the remote control to get wet. Do NOT leave the remote control outside when the soundbar is not in use.

TIPS

Troubleshooting

Distorted Audio	<ul style="list-style-type: none"> Source level should not exceed 80%. Verify the the 3.5mm audio plug is fully inserted.
No Audio	<ul style="list-style-type: none"> Verify that the soundbar is plugged into an outlet that has power. Ensure that the audio signal cable is connected to the audio-out port on the TV. Make sure that the source volume is not muted and that the volume level is not at zero. Aim the remote at the soundbar and select the desired input of the source that is playing.
Problem Connecting a Bluetooth Enabled Device	<ul style="list-style-type: none"> Aim the remote at the front of the soundbar and hit the Bluetooth icon. Make sure Bluetooth is enabled on the device that is being connected and that you are within 33' of the soundbar. Complete a device scan on the device that is being connected and select "peerless-AV" from the list of devices. If "peerless-AV" is not present on the list, turn the Bluetooth on the device off. Turn the Bluetooth on the soundbar off by switching to the Aux input. Turn the Bluetooth on the soundbar back on by pressing the Bluetooth button on the soundbar remote. Turn the Bluetooth on your device back on and perform another scan.

PRODUCT SPECIFICATIONS

Specifications subject to change without notice

Sound Bar	
TV Size Range	42" (107cm) and above
Built-in Class D Amplifier	Total System Power: 200 watts
SPL	105db
Crossover	Digital Signal Processing (DSP)
Drivers	(2) 3" [76mm] Aluminum Drivers
Tweeters	(2) 1.5" [38mm] Titanium Domes
Audio Inputs	(1) Digital Optical Audio, (1) Analog 3.5mm connector, (1) Bluetooth 4.0 input
Environmental Protection Rating	IP65
Frequency Response	50Hz - 20kHz
Operating Temperature Range	-40° - 120°F (-40°C - 49°C)
Vesa Mounting Pattern	400mm wide pattern
Product Dimensions	38.13" x 3.91" x 4.32" (969 x 99 x 110mm)
Product Weight	9.7lb (4.4kg)

ONE YEAR PARTS & LABOR LIMITED WARRANTY

The Peerless-AV Xtreme Outdoor Soundbar is warrantied to be free of defects in material and workmanship from the time of purchase by the original owner. If this product is found and proved to be defective under the terms and conditions of this warranty, Peerless-AV will repair or replace defective parts with new and/or reconditioned parts at no charge for the parts and labor to the original owner, subject to the terms and conditions of this Limited Warranty.

This Limited Warranty covers failures due to defects in material or workmanship that occur during normal residential or commercial use as follows:

1. Parts – the warranty period for parts are: one (1) year from the date of original purchase. During the applicable Limited Warranty period for parts, defective parts will be replaced at no charge. Parts used for the replacement will be warrantied for the remainder of the original warranty period for those parts.
2. Labor – the warranty period for labor is: one (1) year from the date of original purchase. During the applicable Limited Warranty period for labor, Peerless-AV will provide the labor for warranty repair at no charge for a period of one (1) year from the date of original purchase.
3. Original owner must provide verification of the date of purchase when requesting Limited Warranty Services. A copy of the original Dated Sales Receipt is required together with the product to obtain service under this Limited Warranty. Product Registration at the time of purchase is required.
4. All repairs must be performed by a Peerless-AV Authorized Service Provider.
5. Customer is responsible for returning (including any freight and shipping costs) defective unit to a Peerless-AV Authorized Service Provider. If the product is found to have no defects, the customer will be responsible for return shipping costs as well.

THIS LIMITED WARRANTY DOES NOT COVER:

- Shipping damage.
- Damage caused during customer unpacking, and/or removal of packing materials.
- Damage due to improper, incorrect or insufficient AC voltage.
- Damage due to power surges or lightning strikes.
- Damage which results from fire, flood, lightning, tornado, hurricane, large hail, extremely gusty winds, sand storms, vandalism, terrorism or other acts of nature.
- Any unit which has been modified or damaged due to improper installation or failure to obey the operating instructions provided in the User Manual.
- Any failure, loss, damage or personal injury due to accident, neglect, misuse, abuse, improper operation, improper maintenance, improper storage, alteration to the unit, or failure by the consumer to follow operating instructions provided in the User Manual.
- Any owner other than the original owner.
- Any unit purchased from an unauthorized seller.
- Indirect, consequential, or special damages, except as required by federal or state laws.
- Any unit tampered with, modified, adjusted or repaired by any party other than the Peerless-AV Authorized Service Provider.
- Any cosmetic damages to the surface or exterior that has been defaced or faded, or caused by normal wear and tear or exposure to chemicals, acid rain, large hail or adverse weather conditions.
- Because the soundbar cabinet and components are hand-assembled and altered, we do not cover minor cabinet blemishes or minor scratches to the exterior of the unit.
- Any damage, scratches or blemishes to the soundbar and/or exterior cabinet due to end-user cleaning.
- If the original product serial number has been removed, defaced or tampered with in any way.
- Return shipping when no defect is found.

Peerless-AV and its representatives or agents shall in no event be liable for any general, indirect or consequential damages arising out of or caused by the use of or the inability to use this product.

This warranty is made in lieu of all other warranties, expressed or implied, and all other liabilities on the part of Peerless-AV. Any other warranties, including the warranties of merchantability and fitness for a particular purpose are hereby disclaimed by Peerless-AV and its representatives and/or agents.

The laws of some states do not allow exclusion of implied warranties; therefore, this warranty shall be deemed modified to be consistent with such laws. This Limited Warranty gives you specific legal rights. You may also have other rights that vary from state to state.

All warranty inspections and repairs must be performed by Peerless-AV or its authorized service representations.

Customer Care: 800.865.2112 or 630.375.5100

Guía del Usuario

XTREME BARRA DE SONIDO PARA EXTERIORES

MODELO: SPK-080



▲ ADVERTENCIA

ESP - Este producto está diseñado para ser instalado en paredes con montantes de madera, en paredes de concreto macizo o en paredes de hormigón de escorias. Antes de instalarlo, asegúrese de que la superficie de apoyo sostendrá la carga combinada del equipo y los fijadores. Los tornillos se tienen que fijar firmemente. No apriete los tornillos en exceso, ya que se pueden dañar y el producto podría fallar. Nunca exceda la Capacidad Máxima de Carga. Siempre cuente con la ayuda de un asistente o utilice un equipo mecánico de izar para levantar y colocar el equipo con más seguridad. Tenga cuidado de no pincharse los dedos cuando mueva el soporte. Si necesita ayuda, por favor, llame a Servicio al Cliente de Peerless al 1-800-865-2112.

ESP Símbolos



ESP **ADVERTENCIA**

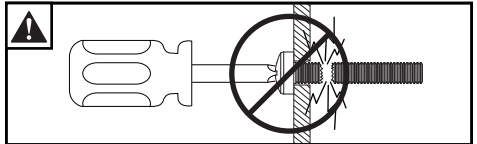
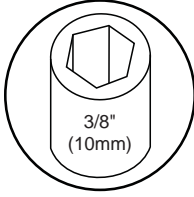
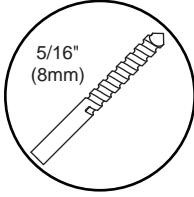
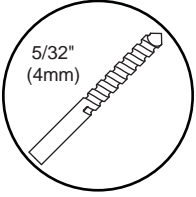
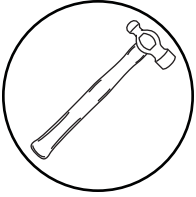
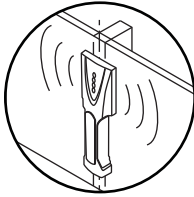
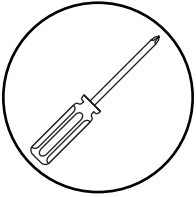
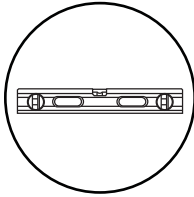
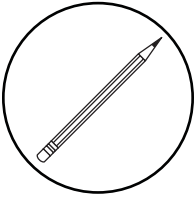


ESP Continúe con el paso.

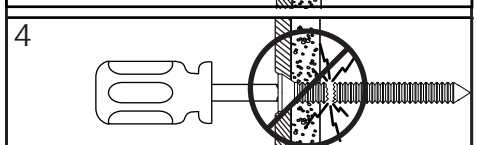
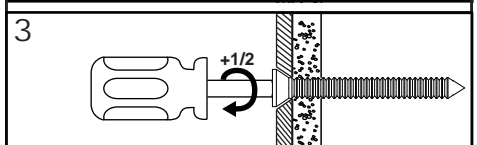
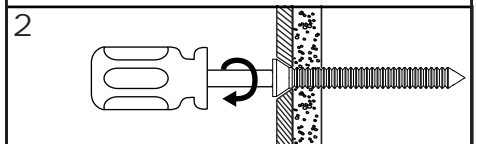
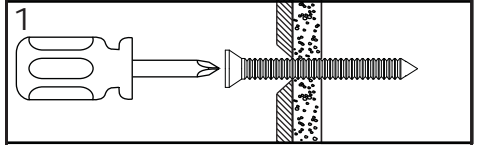
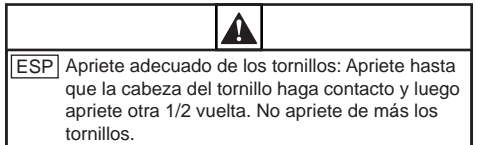


ESP Los tornillos tienen que dar, por lo menos, tres vueltas completas y quedar ajustados.

ESP Herramientas necesarias para el ensamblaje.



ESP No apriete de más los tornillos.



PRECAUCIONES DE SEGURIDAD GENERAL

▲ ADVERTENCIA

RIESGO DE CHOQUE ELÉCTRICO

Para reducir el riesgo de choque eléctrico, no desarme la unidad bajo ninguna circunstancia. No tiene piezas que puedan ser reparadas por el usuario. Todos los servicios de los productos deben ser proporcionados por personal de servicio certificado de Peerless-AV.

Lea antes de utilizar el producto

Gracias por comprar nuestro producto. Antes de utilizarlo, lea este manual del usuario atentamente y siga las instrucciones correctamente para utilizarlo con seguridad. Mantenga este manual a mano para su referencia. Además, asegúrese siempre de incluir este manual del usuario en el embalaje cuando traslade o transporte este producto a otro lugar.

Advertencia de pilas instaladas

PRECAUCIÓN - Existe peligro de derrame si las pilas se rempazan incorrectamente. Reemplácelas solo con el mismo modelo o uno equivalente. Las pilas no se deben exponer a calor excesivo, como la luz del sol, el fuego o elementos similares.

NOTA: El control remoto de la barra de sonido no cuenta con una clasificación de protección de entrada. NO permita que se moje el control remoto. NO deje el control remoto afuera cuando no esté utilizando la barra de sonido.

Precaución:

Para reducir el riesgo de descarga eléctrica, no realice ningún tipo de reparación que no esté incluida en estas instrucciones, a menos que esté capacitado para hacerlo.

1. Lea estas instrucciones.
2. Guarde estas instrucciones.
3. Preste atención a todas las advertencias.
4. Siga todas las instrucciones.
5. No haga mal uso del enchufe polarizado o con descarga a tierra, de manera que no sea seguro. Un enchufe polarizado tiene dos clavijas, una de las cuales es más ancha que la otra. Un enchufe con descarga a tierra, tiene dos clavijas y una tercera punta con descarga a tierra. La clavija ancha y la tercera punta se proporcionan para su seguridad. Si el enchufe proporcionado no cabe en el receptáculo, consulte a un electricista para reemplazar el receptáculo obsoleto.
6. Proteja el cable eléctrico de manera que no lo pisen ni lo pinchen, particularmente en los enchufes, los receptáculos para los aparatos y los sitios por los que salen los cables de los aparatos.
7. Deje todas las reparaciones en manos del personal de servicio capacitado. Las reparaciones son necesarias cuando el aparato ha sufrido algún daño (el cable de corriente eléctrica o el enchufe se ha dañado), no funciona bien o se ha caído.
8. Use solamente los fijadores o accesorios especificados por el fabricante.
9. En caso de una emergencia, como un incendio o choque eléctrico causado por el producto, llame, de inmediato, al 9-1-1 o al número apropiado de las agencias de servicios de emergencia de la policía o los bomberos de su país.
10. Siga las instrucciones para la instalación en paredes, repisas o techos, según las recomendaciones del fabricante.
11. Use voltaje con la potencia nominal adecuada. Usar un voltaje que no tenga la potencia nominal adecuada puede causar un incendio, choque eléctrico y daños graves al producto.
12. No abra los paneles exteriores bajo ninguna circunstancia. El alto voltaje dentro de este producto puede causar choque eléctrico.
13. NO modifique ni desarme este producto bajo ninguna circunstancia, ya que puede causar un incendio, choque eléctrico o daños graves al producto. Además, toda modificación no autorizada hecha al producto anulará la garantía automáticamente.
14. Nunca toque los cordones, los alambres y, si corresponde, los cables eléctricos o los enchufes de las antenas cuando ocurran rayos o truenos, ya que pueden causar choque eléctrico.
15. Darle golpes fuertes al equipo puede causar que algunos componentes internos se salgan de su lugar y se rompan, lo cual puede causar choque eléctrico. En ese caso, no utilice el producto. Comuníquese con el fabricante si necesita ayuda.
16. Quitele el polvo al enchufe periódicamente para mantenerlo limpio y seco y asegurarse de que el producto funcione bien y con seguridad.

17. NO destruya, procese ni coloque el producto cerca de un dispositivo de calefacción; NO doble ni tuerza los cables eléctricos, los enchufes, los cordones o los alambres con fuerza excesiva; NO coloque objetos pesados sobre el producto, ya que todo lo anterior puede causar daños al producto y tener como resultado un incendio o choque eléctrico.
18. NO toque los enchufes con las manos mojadas.
19. Asegúrese siempre de conectar el enchufe firme y completamente. No conectar los enchufes completamente puede causar un incendio o choque eléctrico debido a la acumulación de emisiones de calor.
20. NO use receptáculos ni extensiones múltiples que no tengan la potencia nominal o en los que tenga conectados muchos dispositivos a la vez. Los cordones de capacidad desconocida pueden causar un incendio debido a la acumulación de emisiones de calor. Trate de utilizar un enchufe separado e individual, con potencia nominal y con un interruptor con falla a tierra para que pueda utilizar el producto con seguridad.
21. Si el equipo falla o se da algún suceso inusual, como olor a quemado eléctrico, humo o pérdida de señales de contenido de la barra de sonido debido al sobrecalentamiento interno, apáguela y desenchúfela de inmediato y comuníquese con el fabricante.
22. NO instale el producto en superficies inestables, como objetos móviles, accesorios que vibren constantemente o superficies desniveladas. La instalación inadecuada puede causar que los productos se caigan. Siga las instrucciones de instalación correctamente para que pueda utilizar el producto con seguridad.
23. NO instale el producto cerca de gases venenosos ni de atmósferas con inestabilidad química, ya que puede causar un incendio.
24. NO instale el producto cerca de campos magnéticos o corrientes eléctricas fuertes. Puede causar un incendio, choque eléctrico o daños graves al producto. Este producto puede estar sujeto a radiación electromagnética, lo cual puede causar fallas.
25. NO deje ninguna fuente de fuego, como velas, cerca o encima del producto, ya que puede causar un incendio o daños al producto.
26. NO mueva ni transporte el producto con los cables (cables eléctricos, cables de conectividad de contenido) conectados a los dispositivos fuente. Doblar o tensar los cables, enchufes o conectores de juntas forzosamente puede dañarlos, lo cual puede causar daños al sellado impermeable del producto, lo cual puede causar un incendio, choque eléctrico o corto circuito.
27. Siempre, agarre los cordones o cables eléctricos por los enchufes al desconectarlos. Tirar de los cordones o cables eléctricos incorrectamente puede causar daños al sellado impermeable del producto, lo cual puede causar un incendio, choque eléctrico o corto circuito.
28. NO se trepe en el producto.
29. NO utilice cables eléctricos o de conexión que no sean los proporcionados con el producto o por el fabricante directamente. Sustituir los cables eléctricos o de conexión por cables que no hayan sido probados o autorizados puede causar fallas, un incendio, choque eléctrico o daños graves al producto. Además, usar los cables eléctricos o de conexión incorrectos o inadecuados anulará la garantía del producto.
30. Siempre, tenga el producto apagado al conectar o desconectar los cables eléctricos o de conexión para evitar un choque eléctrico o daños al producto.
31. NO utilice ningún químico, como solvente de pintura o benceno para limpiar el exterior del producto. Podría rayar las superficies, borrar indicaciones necesarias, etiquetas de identificación o instrucciones exteriores, lo cual puede causar el mal uso o funcionamiento del producto.
32. Nunca utilice agua a presión ni de atomizadores frente a la rejilla de la barra de sonido. Aunque las juntas de los altavoces tienen una clasificación de IP65 y no permiten la entrada del agua en los componentes eléctricos, hacerlos puede dañar los conductores y anular la garantía.

PRECAUCIÓN DE LA FCC

Para garantizar el cumplimiento continuo y prevenir la interferencia indeseada, se pueden utilizar núcleos de ferrita al conectar este TV equipos de video; mantenga una separación de, al menos, 400 mm (15.75 pulgadas) de otros periféricos.

DECLARACIÓN DE LA FCC

Este equipo ha sido probado y cumple los límites de los dispositivos digitales Clase B, conforme al artículo 15 de las normas de la FCC. Estos límites están diseñados para proporcionar una protección razonable contra interferencias perjudiciales en instalaciones residenciales. Este equipo genera, utiliza y puede irradiar energía de radiofrecuencia y, si no se instala y utiliza de acuerdo con estas instrucciones, puede causar interferencias perjudiciales a las radiocomunicaciones. Sin embargo, no hay garantía de que no se produzcan interferencias en una instalación en particular. Si este equipo, en efecto, causa interferencias perjudiciales en la recepción de radio o televisión, lo cual se puede determinar apagando y encendiendo el equipo, se recomienda que el usuario intente corregir las interferencias mediante una o más de las siguientes medidas:

1. Cambie la orientación o la ubicación de la antena receptora.
2. Aumente la distancia entre el equipo y el receptor.
3. Conecte el equipo a un enchufe que esté en un circuito diferente al que está conectado el receptor.
4. Consulte al distribuidor o a un técnico experto en radios o televisores para obtener ayuda.

Este dispositivo cumple con el artículo 15 de las normas de la FCC. El uso depende de las dos condiciones siguientes:

- Este dispositivo no puede causar interferencias perjudiciales.
- Este dispositivo tiene que aceptar cualquier interferencia recibida, incluida la que pueda causar el funcionamiento no deseado.

Información pertinente

Anote el número de modelo y el número de serie de la barra de sonido aquí para su referencia. Guarde este manual del usuario en un lugar accesible en caso de que necesite cambiar los ajustes o necesite alguna reparación.

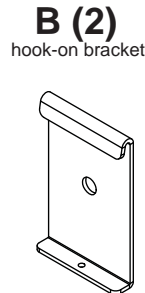
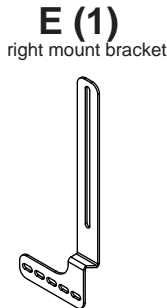
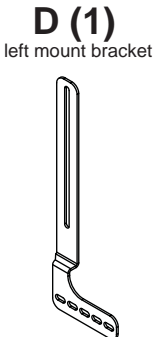
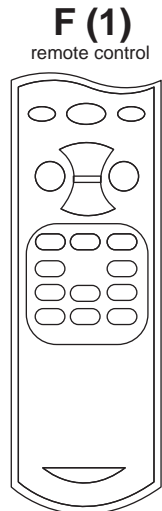
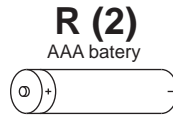
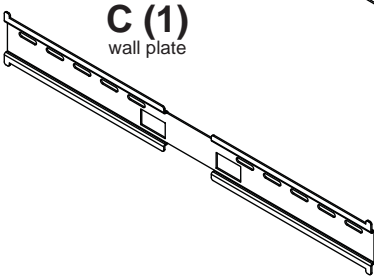
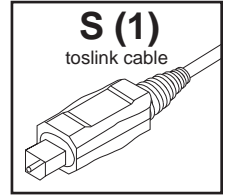
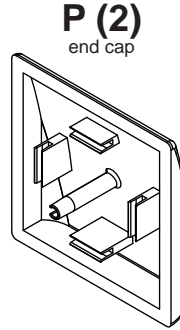
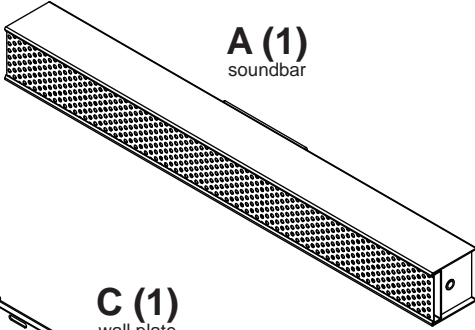
Nota: El número de serie de la barra de sonido se encuentra en la caja y en la parte trasera del tablero de entradas.

Número de modelo _____

Número de serie _____

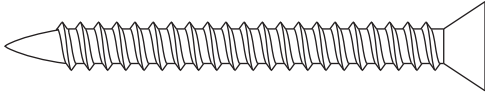
Parts List

Description	Qty	Part #
A soundbar	1	soundbar
B hook-on bracket	2	180-0265
C wall plate	1	180-0264
D left mount bracket	1	180-0268
E right mount bracket	1	180-0267
F remote control	1	remote
G #14 x 2.5" wood screw	2	520-D1033
H 8mm concrete anchor	2	590-0320
I lock washer	2	540-3622
J nylon washer	2	590-1231
K M8 X 25mm socket pin screw	2	520-D1101
L M8 x 40mm socket pin screw	2	520-D1152
M .5" spacer	2	540-1059
N .25" spacer	2	540-1002
O M5 x 10mm self-tapping	2	520-D1164
P end cap	2	590-0407
Q 4mm security allen wrench	1	520-1129
R AAA battery	2	410-0040
S toslink cable	1	410-0098



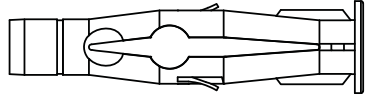
G (2)

#14 x 2-1/2" wood screw



H (2)

8mm concrete anchor



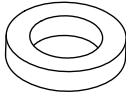
I (2)

lock washer



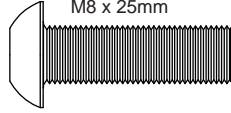
J (2)

nylon washer



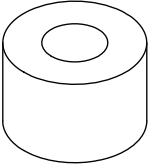
K (2)

M8 x 25mm



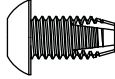
M (2)

.5" spacer



O (2)

M5 x 10mm



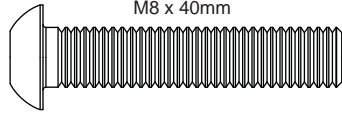
Q (1)

4mm allen wrench



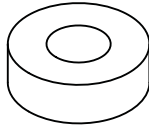
L (2)

M8 x 40mm

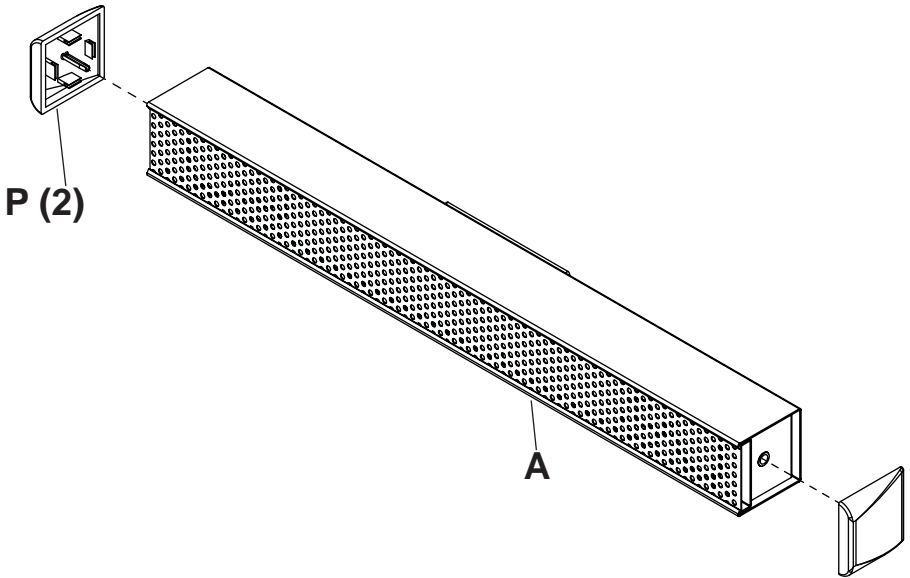


N (2)

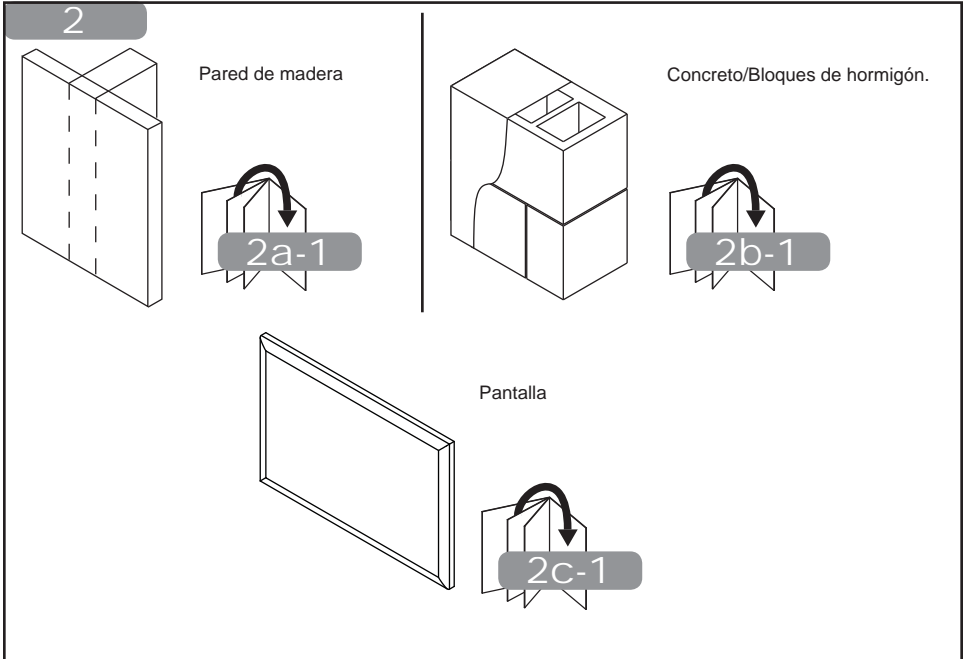
.25" spacer



1



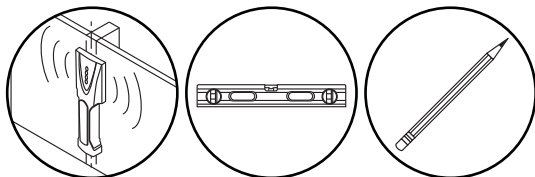
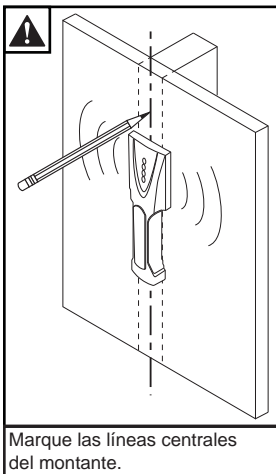
2



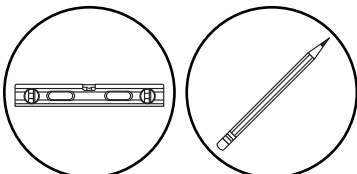
▲ ADVERTENCIA

ESP - Cuando vaya a instalar soportes de pared de Peerless en paredes con montantes de madera recubiertas con yeso-cartón (gypsum board) verifique que los montantes tengan un tamaño mínimo de 2" x 4". No instale en yeso-cartón (gypsum board) de más de 5/8" de grosor.

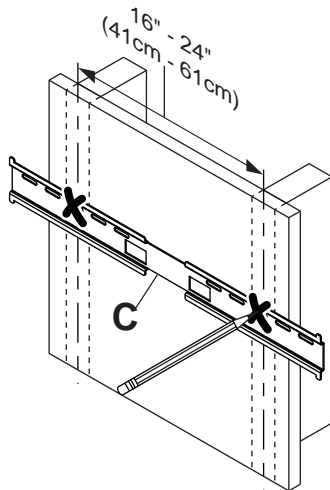
2a-1



2a-2

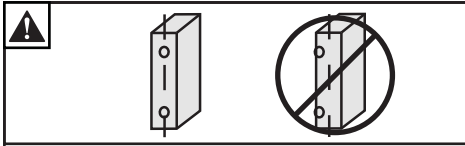
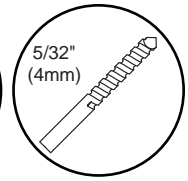
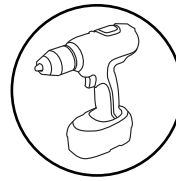
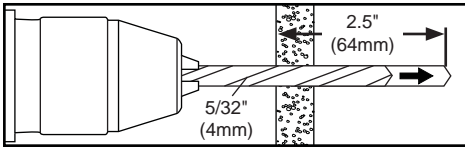


Marque los orificios de montaje en las líneas centrales del montante.



2a-3

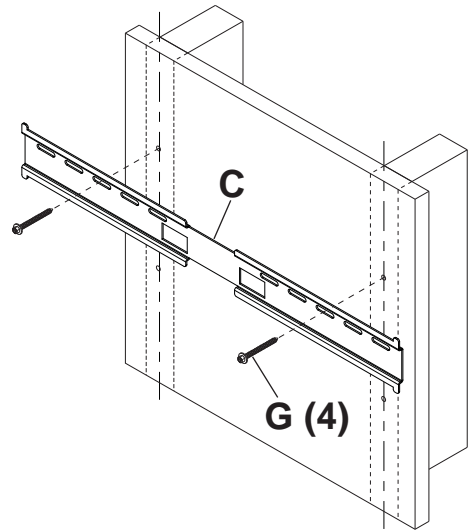
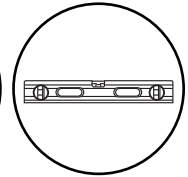
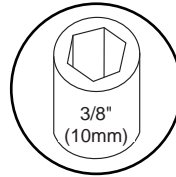
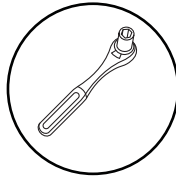
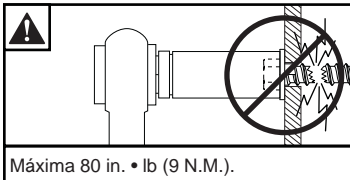
Taladre los agujeros de montaje en la superficie de apoyo; se requiere una profundidad mínima de 2.5" (64mm).



El orificio debe quedar centrado en el montante.

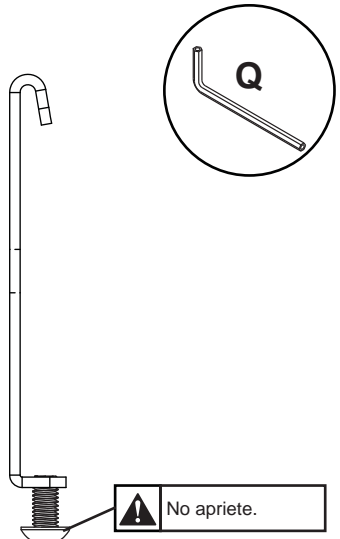
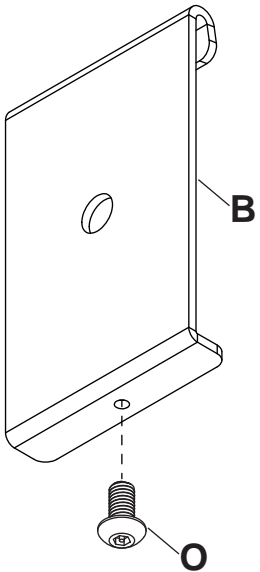
2a-4

Nivele e instale.

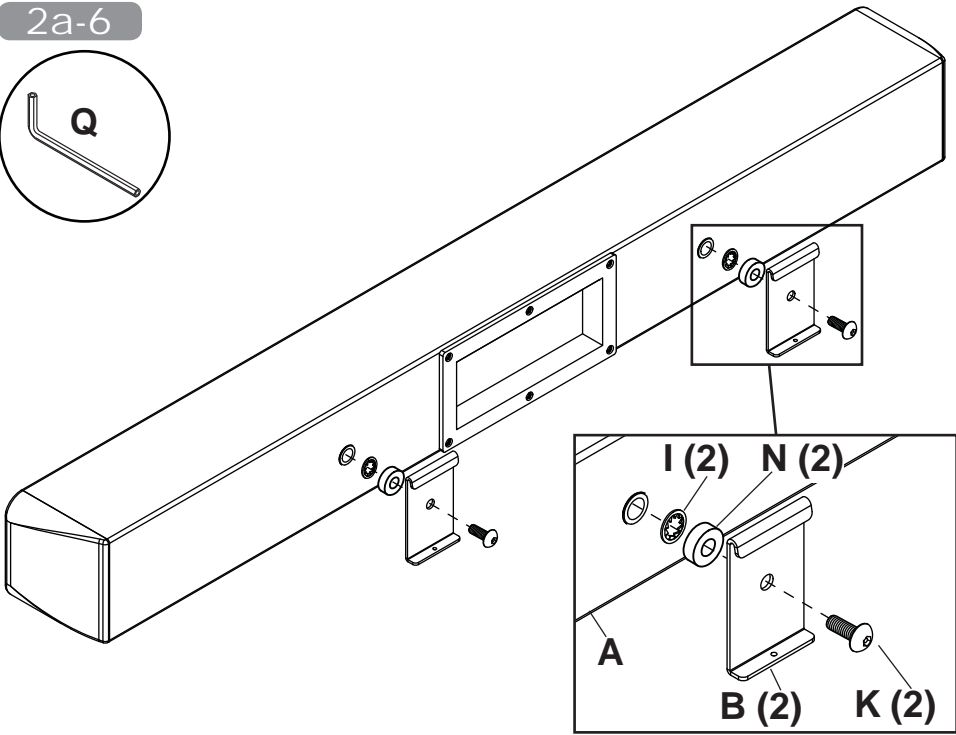
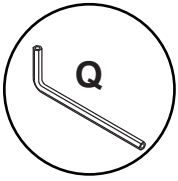


2a-5

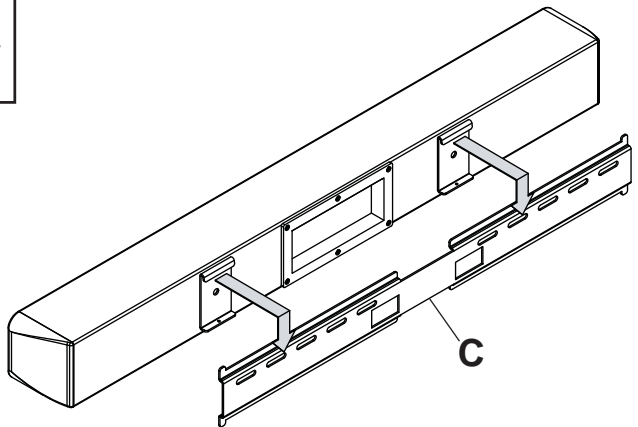
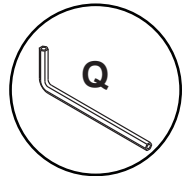
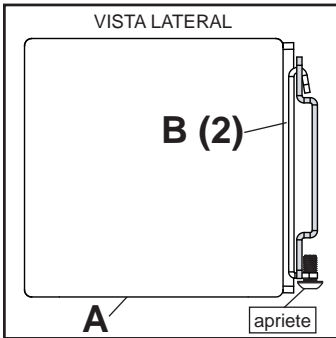
x2



2a-6



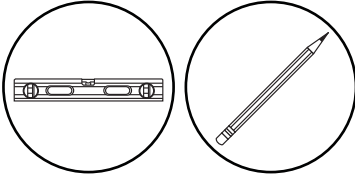
2a-7



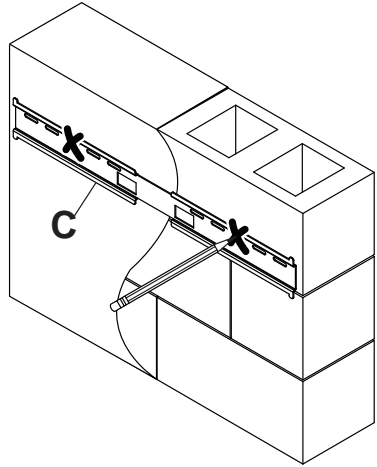
▲ ADVERTENCIA

ESP - Cuando vaya a instalar soportes de pared de Peerless en paredes de concreto, las paredes tienen que tener, por lo menos, 8" de grosor con una resistencia a la compresión de 2000 psi como mínimo. Cuando vaya a instalar soportes de pared de Peerless en paredes de hormigón de escorias, los bloques tienen que cumplir las especificaciones de ASTM C-90 y tener un ancho mínimo de 8". ¡No taladre en juntas de argamasa! Asegúrese de hacer la instalación en la parte sólida del bloque, por lo general, a un mínimo de 1" (25 mm) del extremo del bloque. Se sugiere utilizar un taladro eléctrico convencional a baja velocidad para hacer los agujeros en vez de un taladro percutor para no perforar el fondo de los agujeros al entrar en un vacío o una cavidad. Nunca fije los anclajes de expansión para concreto a superficies de concreto o de bloques de hormigón de escorias recubiertas con yeso, yeso-cartón u otro material de acabado.

2b-1

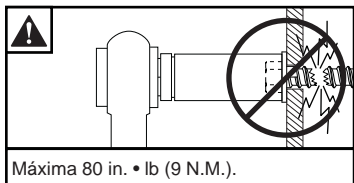


Marque los orificios de montaje.

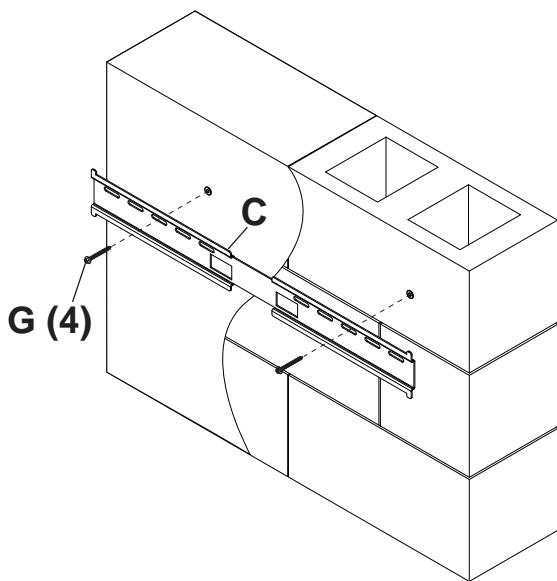
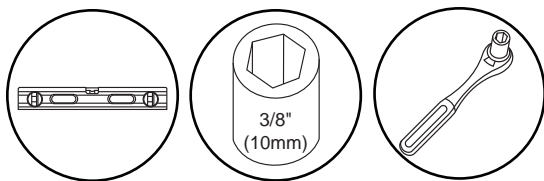


2b-4

Nivele e instale.

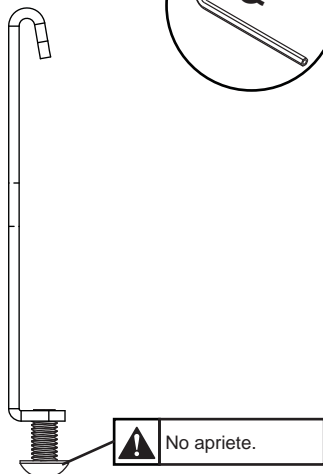
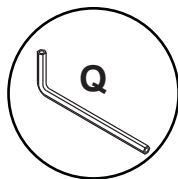
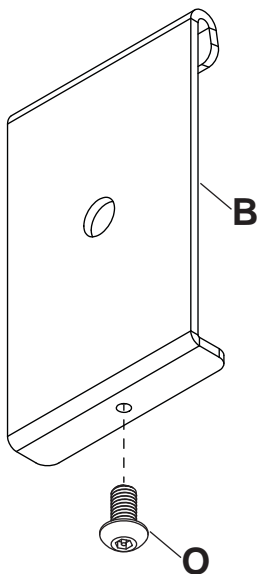


Máxima 80 in. • lb (9 N.M.).

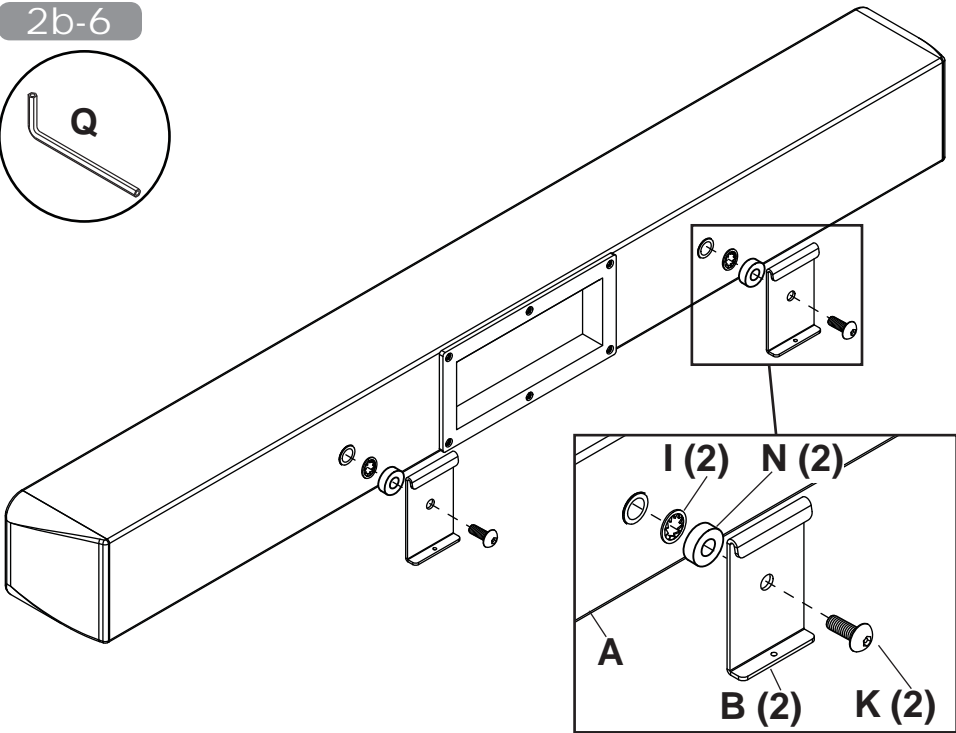
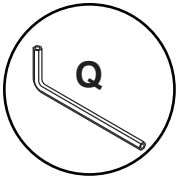


2b-5

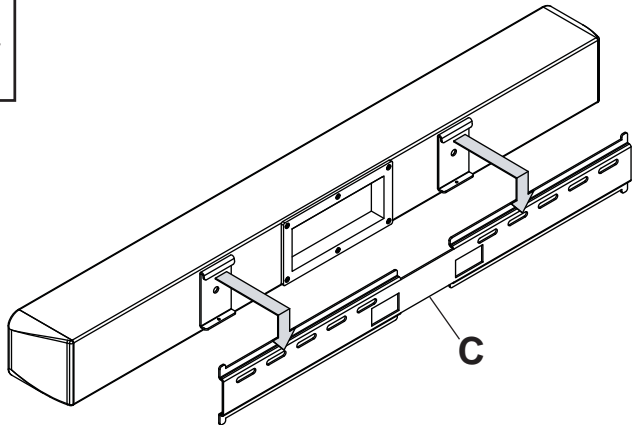
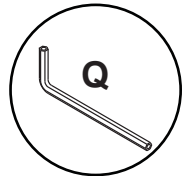
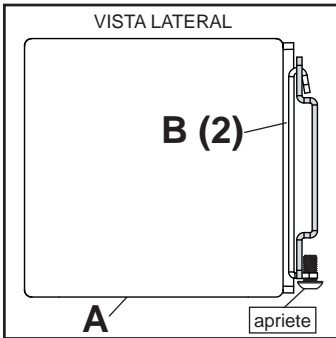
x2



2b-6

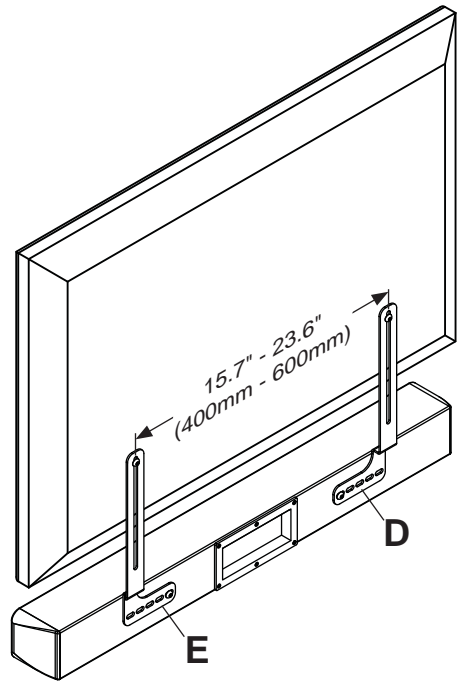
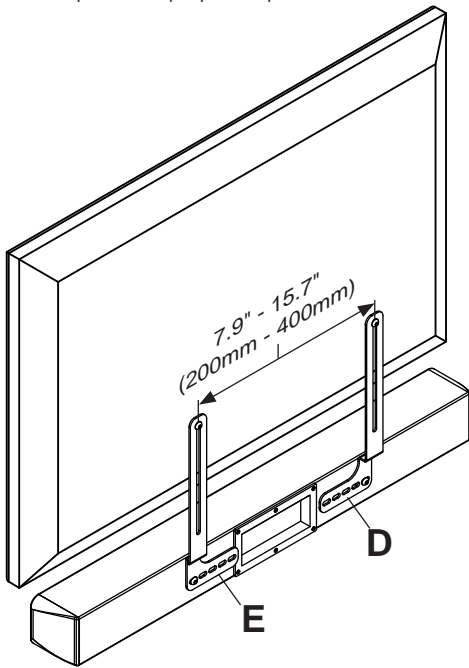


2b-7



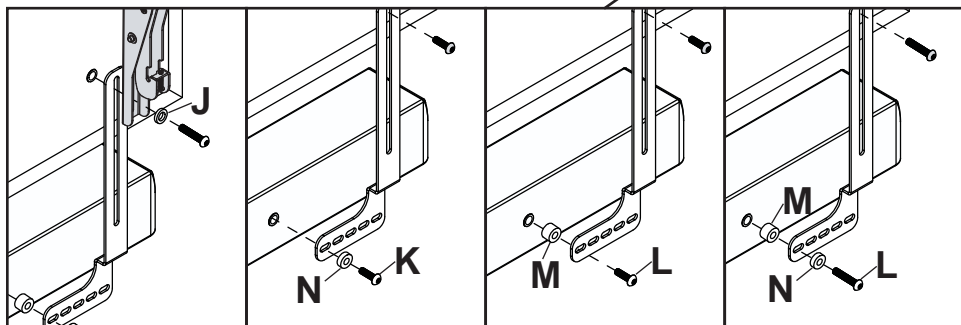
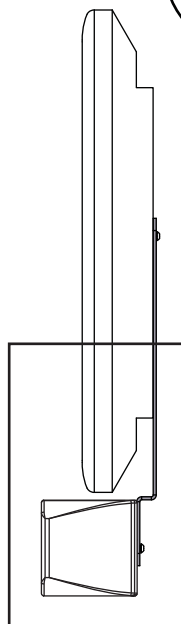
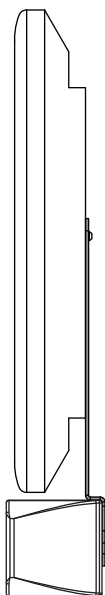
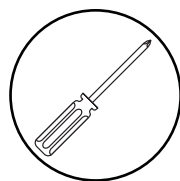
2c-1

Coloque el televisor con la pantalla hacia abajo sobre una superficie plana y limpia. Coloque la barra de sonido con la rejilla hacia abajo, ya sea encima o debajo de la pantalla. Determine cuál de las siguientes configuraciones de los soportes es apta para su pantalla.



2c-2

Determine cuál de los accesorios debe usar de acuerdo con la profundidad necesaria.



*Se incluyen los accesorios para la instalación de la barra de sonido solamente. Para fijar la pantalla, use los accesorios incluidos con el soporte para pantallas.

Instalación y remplazo de las pilas

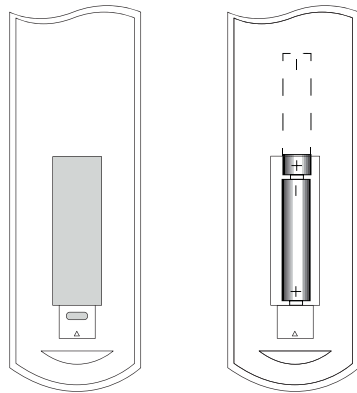
Remplace las pilas quitando la cubierta de las pilas y colocando dos pilas AAA nuevas. Para instalar o remplazar las pilas:

1. Remplace las pilas quitando la cubierta de las pilas y colocando dos pilas AAA nuevas.
Importante: Coloque las pilas de manera que los símbolos (+) y (-) coincidan con los que se encuentran dentro del control remoto.
2. Coloque la cubierta de las pilas en el control remoto.

⚠ PRECAUCIÓN

El uso incorrecto de las pilas puede causar fugas o derrames. Peerless-AV recomienda usar las pilas como sigue:

1. No combine marcas de pilas.
2. No combine pilas nuevas y viejas. Las pilas podrían agotarse o derramarse más pronto.
3. Cambie las pilas agotadas de inmediato para evitar fugas de ácido en el compartimiento de las pilas.
4. No toque el ácido derramado, ya que puede causarle daño a la piel.
5. Quite las pilas si no va a utilizar el control durante un periodo largo.



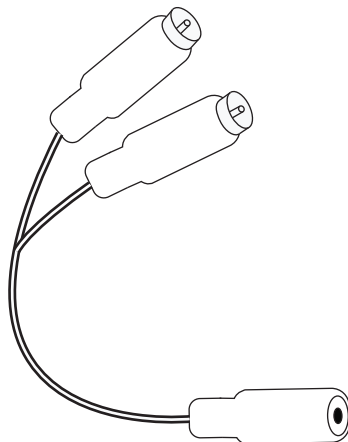
Manejo de cables y orientación de la barra de sonido

Para conexión digital:

1. Conecte el cable toslink proporcionado al puerto de la salida óptica de audio digital del TV. Asegúrese de que el cable entre completamente.
2. Conecte el otro extremo del cable óptico al puerto óptico de la barra de sonido. Asegúrese de que el cable óptico no tenga dobleces ni puntos de agarre excesivos cuando lo conecte.
3. Conecte el cable eléctrico de la barra de sonido en el enchufe más cercano.
4. **Nota:** Cuando el puerto de audio digital óptico no se está utilizando en la barra de sonido, la cubierta de puerto debe permanecer cerrada.

Para conexión análoga:

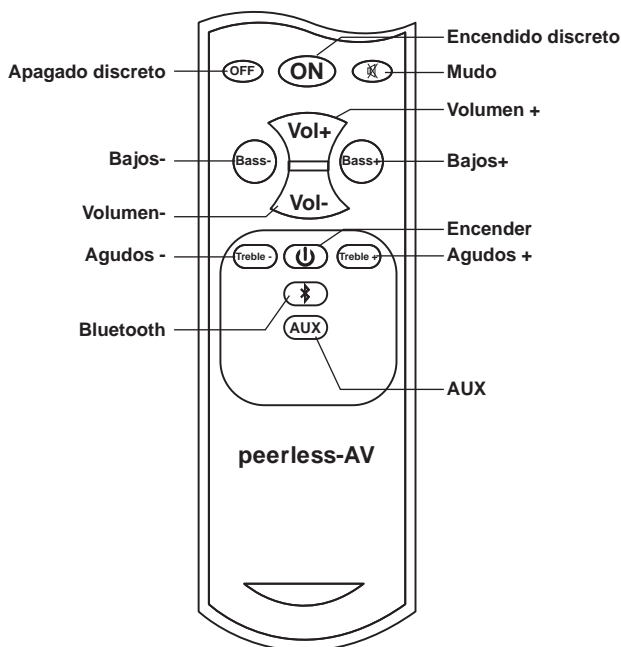
1. Conecte el cable de audio de 3.5 mm al puerto de la salida de audio del TV. Asegúrese de que el cable de audio de 3.5 mm entre completamente.
2. Conecte el cable eléctrico de la barra de sonido en el enchufe más cercano.
3. **Nota:** Si la salida de audio del TV es RCA estéreo, necesitará un cable hembra de audio de 3.5 mm para un conector macho RCA estéreo.



Cable hembra de audio de 3.5 mm para conector macho RCA estéreo (se vende por separado)

INSTRUCCIONES DE USO

Usar el Control Remoto



1. Encienda el TV.
2. Encienda la barra de sonido apuntando el control remoto incluido hacia el frente de la barra de sonido y presionando el botón ON. El sonido de la pantalla comenzará a oírse por la barra de sonido. Si no oye ningún sonido por la barra de sonido, apunte el control remoto a la barra de sonido y presione el botón AUX. Debe ver una luz verde encendida cuando se seleccione la entrada de Aux. Cuando se seleccione AUX en la barra de sonido, funcionará tanto la entrada analógica de 3.5 mm como la entrada óptica de audio digital.
3. Para oír un dispositivo con Bluetooth® habilitado, apunte el control remoto incluido hacia el frente de la barra de sonido y presione el botón que tiene el ícono de Bluetooth.
4. Se encenderá una luz azul en la barra de sonido cuando se active la entrada de Bluetooth. Asegúrese de que la función de Bluetooth esté activada en el dispositivo que vaya a conectar y que el dispositivo esté dentro del alcance del Bluetooth (33'). Detecte los dispositivos en su dispositivo con Bluetooth habilitado y seleccione "Peerless-AV" de la lista de dispositivos. Inicie la reproducción de sonido de su dispositivo con Bluetooth habilitado.

Funciones del control remoto

- Apagado discreto – Apaga la barra de sonido
- Encendido discreto – Enciende la barra de sonido
- Mudo – Activa y desactiva el sonido
- Bajos - - Disminuye el nivel de los bajos
- Bajos + - Incrementa el nivel de los bajos
- Volumen + - Incrementa el nivel del volumen.
- Volumen - - Disminuye el nivel del volumen.
- Agudos - - Disminuye el nivel de los agudos
- Agudos + - Incrementa el nivel de los agudos
- Encender – Enciende y apaga la barra de sonido
- Bluetooth – Cambia a la entrada de Bluetooth
- AUX – Cambia a la entrada de 3.5 mm

NOTA: El control remoto de la barra de sonido no cuenta con una clasificación de protección de entrada. NO permita que se moje el control remoto. NO deje el control remoto afuera cuando no esté utilizando la barra de sonido.

CONSEJOS

Solución de Problemas

Distorsión del audio	<ul style="list-style-type: none"> El nivel de la fuente no debe exceder el 80%. Verifique que el cable de audio de 3.5 mm haya entrado completamente.
No hay audio	<ul style="list-style-type: none"> Verifique que la barra de sonido esté conectada en el receptáculo y que tenga electricidad. Asegúrese de que el cable para la señal de audio esté conectado al puerto de la salida de audio del TV. Asegúrese de que el volumen de la fuente no esté en mudo y que el nivel del volumen no esté en cero. Apunte el control remoto hacia la barra de sonido y seleccione la entrada correspondiente a la fuente de sonido.
Problema para conectar con un dispositivo con Bluetooth habilitado	<ul style="list-style-type: none"> Apunte el control remoto hacia el frente de la barra de sonido y presione el ícono de Bluetooth. Asegúrese de que la función de Bluetooth esté activada en el dispositivo que vaya a conectar y que el dispositivo esté dentro del alcance de 33' de la barra de sonido. Complete el proceso de detección de dispositivos en el dispositivo que vaya a conectar y seleccione "peerless-AV" de la lista de dispositivos. Si "peerless-AV" no está en la lista, apague el Bluetooth en el dispositivo. Apague el Bluetooth en la barra de sonido cambiando a la entrada de Aux. Encienda el Bluetooth en la barra de sonido nuevamente presionando el botón Bluetooth en el control remoto. Vuelva a encender el Bluetooth en su dispositivo y repita la detección.

ESPECIFICACIONES DEL PRODUCTO

Especificaciones sujetas a cambio sin aviso.

Barra de Sonido	
Gama de tamaños de los TV	42" (107 cm) y más
Amplificador integrado Clase D	Potencia total del sistema: 200 vatios
SPL	105db
Separador de frecuencias	Procesamiento de señales digitales (DSP)
Conductores	(2) conductores de aluminio de 3" [76 mm]
Altavoces para agudos	(2) domos de titanio de 1.5" [38 mm]
Entradas de audio	(1) Audio óptico digital, (1) conector análogo de 3.5 mm, (1) entrada de Bluetooth de 4.0
Clasificación de protección ambiental	IP65
Respuesta en frecuencia	50Hz - 20kHz
Gama de temperaturas de funcionamiento	-40° - 120°F (-40°C - 49°C)
Configuración de montaje de Vesa	Configuración ancha de 400 mm
Dimensiones del producto	38.13" x 3.91" x 4.32" (969 x 99 x 110mm)
Peso del producto	9.7lb (4.4kg)

GARANTÍA LIMITADA DE UN AÑO EN PIEZAS Y MANO DE OBRA

Peerless-AV garantiza que el producto Xtreme Outdoor Soundbar estará libre de defectos de los materiales o la manufactura en la fecha en la que lo compre el dueño original. Si se determina y se demuestra que este producto tiene defectos de acuerdo con los términos y condiciones de esta garantía, Peerless-AV reparará o reemplazará las piezas defectuosas por piezas nuevas o reacondicionadas sin cargo alguno para el dueño original por las piezas o la mano de obra, conforme a los términos y condiciones de esta garantía limitada.

Esta garantía limitada cubre fallas debidas a defectos de los materiales o la manufactura que ocurran durante el uso residencial o comercial normal, como sigue:

1. Piezas – El periodo de garantía de las piezas es: un (1) año desde la fecha de compra original. Durante el periodo correspondiente de la garantía limitada de las piezas, las piezas defectuosas se reemplazarán sin costo. Las piezas utilizadas como remplazo estarán cubiertas durante el resto del periodo de la garantía original de las piezas.
2. Mano de obra – El periodo de garantía de la mano de obra es: un (1) año desde la fecha de compra original. Durante el periodo correspondiente de la garantía limitada de la mano de obra, Peerless-AV proporcionará la mano de obra para las reparaciones de acuerdo con la garantía sin costo durante un periodo de un (1) año desde la fecha de compra original.
3. El dueño original tiene que proporcionar verificación de la fecha de compra al solicitar los servicios de la garantía limitada. Se tiene que presentar copia del recibo de compra original que indique la fecha junto con el producto para recibir servicios de acuerdo con esta garantía limitada. Se requiere que registre el producto en el momento de la compra.
4. Todas las reparaciones tienen que ser realizadas por personal de servicio certificado de Peerless-AV.
5. El consumidor es responsable de enviar el producto defectuoso a un proveedor de servicios autorizado de Peerless-AV (incluidos los costos de flete y envío). Si se determina que el producto no tiene defectos, el consumidor será, además, responsable de pagar los costos del envío de devolución.

ESTA GARANTÍA LIMITADA NO CUBRE:

- Daños causados durante el envío.
- Daños causados mientras el consumidor desempaca o retira los materiales de embalaje.
- Daños causados porque el voltaje de corriente alterna sea inadecuado, incorrecto o insuficiente.
- Daños causados por las subidas de voltaje o los rayos.
- Daños causados por incendios, inundaciones, tornados, huracanes, granizo grande, vientos extremadamente fuertes, tormentas de arena, vandalismo, terrorismo u otros actos de la naturaleza.
- Las unidades que hayan sido modificadas o hayan sufrido daños debido a una instalación incorrecta o a que no se sigan las instrucciones de uso del manual del usuario.
- Las fallas, las pérdidas, los daños o las lesiones personales debidas a accidentes, negligencia, mal uso, abuso, uso inadecuado, mantenimiento inadecuado, almacenamiento inadecuado, cambios hechos a la unidad o que el consumidor no siga las instrucciones de uso del manual del usuario.
- Los dueños que no sean el dueño original.
- Las unidades compradas a vendedores no autorizados.
- Los daños y perjuicios indirectos, incidentales o especiales, excepto en la medida en la que lo exijan las leyes federales o estatales.
- Las unidades que hayan sido cambiadas, modificadas, ajustadas o reparadas por cualquier otra persona que no sea un proveedor de servicios autorizado de Peerless-AV.
- Daños cosméticos de superficies o paneles exteriores que se hayan afeado o desteñido o causados por el uso normal o la exposición a químicos, lluvia ácida, granizo grande, condiciones climatológicas adversas.
- Debido a que los paneles exteriores y los componentes interiores de la barra de sonido son hechos y modificados a mano, no cubrimos las imperfecciones o rayones menores en el exterior de la unidad.
- Daños, rayones o imperfecciones de la barra de sonido o del exterior de la barra de sonido debido a que el usuario los limpie.
- Si el número de serie del producto original ha sido borrado, mutilado o cambiado de cualquier manera.
- Los costos del envío de devolución si se determina que el producto no tiene defectos.

Peerless-AV y sus representantes o agentes no tendrán responsabilidad en ningún caso de daños y perjuicios generales, indirectos o incidentales que surjan como resultado de o sean causados por utilizar o no poder utilizar este producto.

Esta garantía reemplaza toda otra garantía, expresa o implícita, y todas las demás responsabilidades de Peerless-AV. Por este medio, Peerless-AV y sus representantes o agentes renuncian a toda otra garantía, incluidas las garantías de comerciabilidad o de idoneidad para un propósito en particular.

Las leyes de algunos Estados no permiten la exclusión de las garantías implícitas; por lo tanto, se considerará que esta garantía ha sido modificada para conformarse a dichas leyes. Esta garantía limitada le concede derechos legales específicos. Es posible que usted, además, tenga otros derechos que varíen de acuerdo con el Estado donde se encuentre.

Todas las inspecciones y reparaciones de la garantía tienen que ser realizadas por Peerless-AV o sus representantes de servicio autorizados.

Servicio al Cliente: 800.865.2112 o 630.375.5100

peerless-AV[®]

Manuel de l'utilisateur

XTREME BARRE AUDIO D'EXTÉRIEUR

MODÈLE: SPK-080



www.peerless-av.com



▲ ADVERTISSEMENT

FRN - Ce produit est conçu pour une installation sur des murs à montants en bois, en béton plein ou en blocs de béton. Les pièces de fixation nécessaires à l'installation sur des montants en bois, du béton plein et du bloc de béton sont incluses. Avant de procéder à l'installation, assurez-vous que la surface de support peut soutenir la charge totale de l'équipement ainsi que des pièces de fixation. Les vis doivent être serrées au maximum. Ne serrez pas trop les vis pour éviter tout risque d'endommager le produit et de causer sa défaillance. Ne dépassez jamais la capacité de charge maximale. Pour lever et positionner l'équipement en toute sécurité, faites-vous toujours aider par une autre personne ou utilisez un dispositif de levage mécanique. Ce produit est conçu uniquement pour un usage intérieur. L'utilisation de ce produit à l'extérieur peut causer une défaillance du produit ou des blessures corporelles. Prenez garde à ne pas vous pincer les doigts lorsque vous manipulez le support. Pour toute assistance, veuillez contacter le service à la clientèle au 1-800-865-2112.

FRN Symboles



FRN **ADVERTISSEMENT**

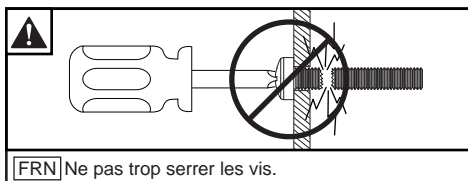
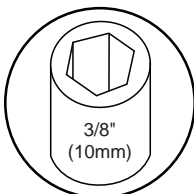
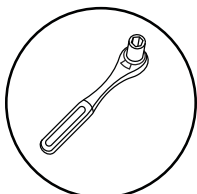
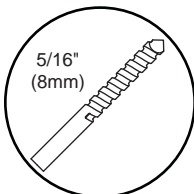
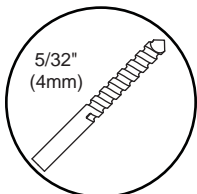
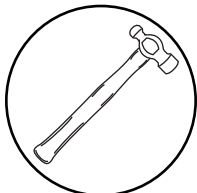
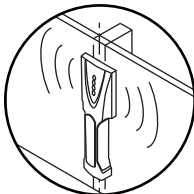
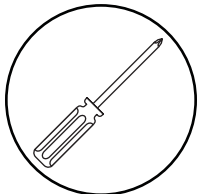
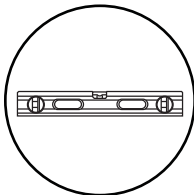
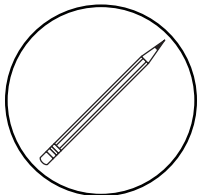


FRN Passez à l'étape.

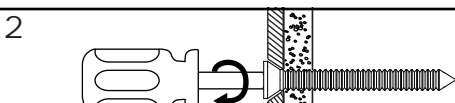
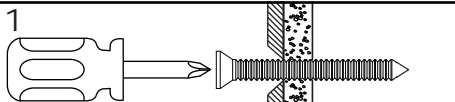
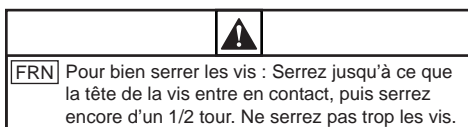


FRN Il faut effectuer au moins trois tours de vis complets et bien serrer les vis.

FRN Outils nécessaires au montage.



FRN Ne pas trop serrer les vis.



MESURES DE PRÉCAUTION GÉNÉRALES

▲ MISE EN GARDE

RISQUE DE CHOC ÉLECTRIQUE

Pour réduire les risques de choc électrique, ne démontez l'appareil en aucun cas. Aucune pièce réparable par l'utilisateur à l'intérieur. Toute réparation du produit doit être effectuée par le personnel certifié du service de réparation audio de Peerless.

Lire les instructions avant d'utiliser le matériel

Nous vous remercions d'avoir fait l'acquisition de notre produit. Avant utilisation, veuillez lire attentivement ce manuel de l'utilisateur et suivre les instructions correctement pour assurer un fonctionnement en toute sécurité. Veuillez conserver ce manuel pour consultation future. Veuillez également vous assurer de toujours inclure ce manuel dans l'emballage lors du transfert ou du transport de ce produit à un autre endroit.

Avertissement concernant l'installation des piles

ATTENTION - Danger d'explosion si les piles sont remplacées incorrectement. Remplacer uniquement par une pile de même type ou d'un type équivalent. Même si la télécommande est conçue pour un usage extérieur, les piles ne devraient pas être exposées à une chaleur excessive causée par les rayons du soleil, un feu ou une autre source de chaleur.

NOTA - La télécommande de la barre de son n'a pas d'indice IP. Veuillez ne pas exposer la télécommande à l'humidité. Ne laissez pas la télécommande à l'extérieur lorsque vous n'utilisez pas la barre de son.

ATTENTION:

Pour réduire le risque de décharge électrique, ne procéder à aucun autre entretien que ceux prévus dans les directives d'utilisation, à moins que vous ne déteniez les qualifications requises.

1. Lire ces instructions.
2. Conserver ces instructions.
3. Tenir compte de tous les avertissements.
4. Suivre toutes les instructions.
5. Ne pas contourner le dispositif de sécurité de la fiche polarisée ou de mise à la terre. Une fiche polarisée possède deux lames, dont l'une est plus large que l'autre. Une fiche de mise à la terre a deux lames et une troisième broche de mise à la terre. La lame large ou troisième broche est fournie pour votre sécurité. Si la fiche fournie n'est pas adaptée à votre prise de courant, consultez un technicien pour le remplacement de la prise obsolète.
6. Placer le cordon d'alimentation de façon à le protéger et qu'il ne soit pas pincé ou que personne ne marche dessus, surtout au niveau des fiches, des prises de service et du point de sortie de l'appareil.
7. Toutes les réparations doivent être effectuées par des techniciens qualifiés. Il est nécessaire de réparer l'appareil s'il a été endommagé de quelque façon que ce soit, par exemple le cordon d'alimentation ou la fiche est endommagé, ne fonctionne pas normalement ou est tombé.
8. N'utiliser que les accessoires spécifiés par le fabricant.
9. En cas d'urgence, comme un incendie ou un choc électrique provoqué par le produit, contacter immédiatement le 911 ou les services de police/d'incendie appropriés de votre pays.
10. Suivre le mode d'emploi concernant l'installation à un mur, à une étagère ou à un plafond recommandée par le fabricant.
11. Utiliser une tension d'alimentation nominale appropriée. Une tension autre que la tension nominale peut provoquer un incendie, un choc électrique et des dommages importants au produit.
12. Ne jamais, en aucune circonstance, ouvrir le boîtier. La haute tension à l'intérieur de ce produit peut provoquer un choc électrique.
13. Ne JAMAIS, en aucune circonstance, modifier ou démonter ce produit car cela pourrait provoquer un incendie, un choc électrique ou des dommages importants au produit. De plus, toute modification non autorisée du produit annule automatiquement la garantie.
14. Ne jamais toucher des lignes d'antennes, des fils, le cas échéant, des câbles électriques ou des prises électriques en présence de foudre et de tonnerre, car cela pourrait provoquer un choc électrique.
15. Tout impact physique sur le produit peut causer le déplacement et le bris de certains de ses composants internes, et provoquer un incendie ou un choc électrique. Dans ce cas, ne pas faire fonctionner le produit. Communiquer avec le fabricant pour obtenir du soutien.
16. Enlever périodiquement la poussière accumulée sur la fiche d'alimentation afin de la garder propre et sèche et d'assurer un fonctionnement correct et sûr du produit.

17. Ne PAS détruire, traiter ou placer le produit à proximité d'un appareil de chauffage; ne PAS plier ou tordre les cordons d'alimentation, prises électriques, câbles ou fils avec une force excessive; ne PAS poser d'objets lourds sur le produit; tout ce qui précède peut endommager le produit et provoquer un incendie ou un choc électrique.
18. Ne PAS toucher les fiches d'alimentation avec les mains mouillées.
19. Veiller à toujours brancher la fiche d'alimentation fermement et complètement. Les fiches d'alimentation qui ne sont pas complètement en place peuvent provoquer un incendie ou un choc électrique en raison d'une émission de chaleur accumulée.
20. Ne PAS utiliser de prises d'alimentation ou barres d'alimentation qui ne correspondent pas à la tension nominale avec de nombreux autres appareils branchés ensemble. Le fil de capacité non désignée peut provoquer un incendie ou un choc électrique en raison d'une émission de chaleur accumulée. Essayer d'utiliser une prise d'alimentation désignée avec disjoncteur de fuite de terre correspondant à la tension nominale pour assurer la sécurité d'utilisation du produit.
21. En cas de défaillance du produit ou d'événements inhabituels comme une odeur de brûlé, de la fumée ou une perte de signaux du contenu de la barre audio en raison d'une surchauffe interne, mettre immédiatement l'appareil hors tension, débrancher le câble d'alimentation et communiquer avec le fabricant.
22. Ne PAS installer le produit dans des endroits instables comme des objets en mouvement, des accessoires produisant des vibrations constantes ou des surfaces inégales. Une installation inappropriée pourrait provoquer la chute du produit. Suivre correctement les instructions de montage pour assurer la sécurité d'utilisation du produit.
23. Ne PAS installer le produit à proximité de gaz toxiques ou d'une atmosphère chimiquement instable, car cela pourrait provoquer un incendie.
24. Ne PAS installer le produit à proximité d'un champ magnétique puissant ou d'un champ de courant électrique. Cela pourrait provoquer un incendie, un choc électrique ou des dommages importants au produit. Le produit peut être exposé à tout rayonnement électromagnétique, ce qui entraînerait sa défaillance.
25. NE laisser AUCUNE source d'incendie telle qu'une bougie, à proximité du produit ou sur celui-ci car cela pourrait provoquer un incendie ou l'endommager.
26. Ne PAS déplacer ni transporter le produit lorsque des câbles (câbles d'alimentation, câbles de connexion au contenu) sont branchés sur les périphériques source. Les câbles, les fiches ou les raccords des câbles pourraient être endommagés à la suite d'un pliage forcé ou d'un stress, ce qui pourrait endommager le joint étanche du produit et provoquer un risque d'incendie, de choc électrique ou de court-circuit.
27. Toujours débrancher l'appareil en tenant les fiches des cordons ou câbles d'alimentation. Le fait de tirer sur les cordons ou les câbles de manière inappropriée pourrait endommager le joint étanche du produit et provoquer un risque d'incendie, de choc électrique ou de court-circuit.
28. Ne PAS grimper sur le produit.
29. Ne PAS utiliser de cordons d'alimentation ou de câbles de connexion autres que ceux qui sont fournis avec le produit ou proviennent directement du fabricant. L'utilisation de cordons d'alimentation ou de câbles de connexion non testés, non autorisés ou de substitution pourrait provoquer une défaillance, un incendie, un choc électrique ou des dommages importants au produit. Une telle utilisation de cordons d'alimentation ou de câbles de connexion inappropriés ou non désignés annulera la garantie.
30. Toujours laisser l'appareil hors tension pour brancher ou débrancher les cordons d'alimentation ou les câbles de connexion afin d'éviter les chocs électriques ou d'endommager le produit.
31. Ne PAS utiliser de produits chimiques comme du diluant ou du benzène pour nettoyer l'extérieur du produit. Ceux-ci peuvent égratigner la surface et effacer les indications, les étiquettes d'identification ou le mode d'emploi figurant sur l'extérieur, et entraîner une mauvaise utilisation et un mauvais fonctionnement du produit.
32. Ne jamais laver à haute pression la grille frontale de la barre audio ni la vaporiser avec de l'eau. Bien que les joints d'étanchéité des haut-parleurs soient conformes aux normes IP65 et ne laissent pas pénétrer d'eau dans les composants électriques, cela pourrait endommager les pilotes et annuler la garantie.

AVERTISSEMENT DE LA FCC

Afin d'assurer la conformité continue et de prévenir toute interférence indésirable, des bobines à tore en ferrite peuvent être utilisées pour brancher ce téléviseur à l'équipement vidéo; maintenir un espacement d'au moins 400 mm (15,75 pouces) avec les autres appareils.

DÉCLARATION DE LA FCC

Cet appareil a été testé et déclaré conforme aux limites établies pour des appareils numériques de classe B, en vertu des dispositions de l'alinéa 15 de la réglementation FCC. Ces limites sont destinées à fournir une protection raisonnable contre les interférences nuisibles dans le cadre d'une installation résidentielle. Le présent équipement génère, utilise et peut émettre des radiofréquences susceptibles, à défaut d'une installation adéquate et d'une utilisation conforme à ces instructions, de produire des interférences dangereuses pour les communications radio. Cependant, il n'y a aucune garantie d'absence de brouillage dans une installation donnée. S'il s'avère que ce produit provoque un brouillage nuisible à la réception radio ou télévisuelle, ce que permet de constater la simple mise en route et fermeture de l'appareil, vous êtes alors invité à tenter de corriger l'interférence en effectuant une ou plusieurs des corrections suivantes :

1. Réorienter ou déplacer l'antenne de réception.
2. Augmenter la distance entre l'équipement et le récepteur.
3. Brancher le matériel dans une prise de courant qui se trouve sur un circuit différent de celui sur lequel le récepteur est branché.
4. Consulter le distributeur ou un technicien expérimenté en radio/TV pour obtenir de l'aide.

Le présent appareil est conforme à la section 15 des règles de la FCC. Son fonctionnement est assujéti aux deux conditions suivantes:

- Cet appareil ne doit pas produire de brouillage préjudiciable.
- Cet appareil doit accepter tout brouillage subi, même si le brouillage est susceptible d'en compromettre le fonctionnement.

Renseignements Pertinents

Veuillez inscrire ici le modèle et le numéro de série de votre barre de son pour pouvoir vous y reporter ultérieurement. Conservez le présent guide de l'utilisateur dans un endroit accessible au cas où vous voudriez modifier les réglages ou demander l'entretien de votre produit.

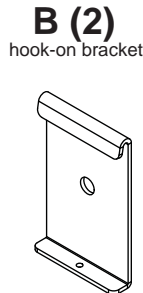
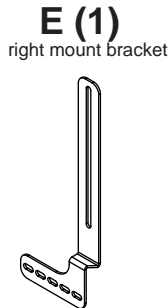
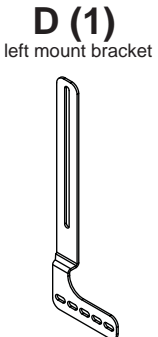
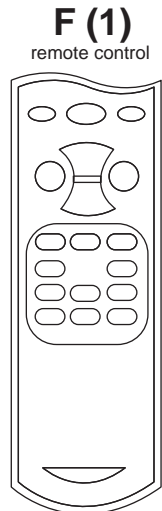
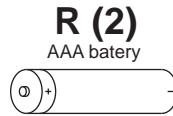
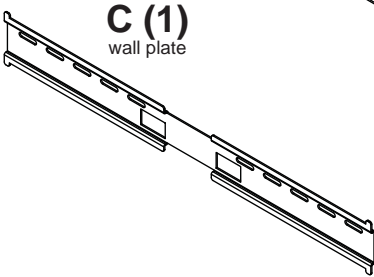
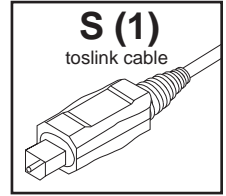
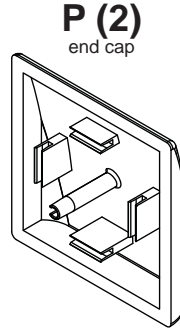
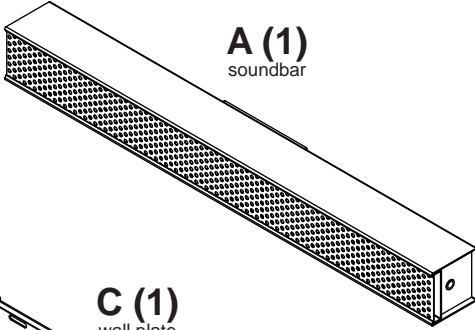
Nota : Le numéro de série de votre barre de son est inscrit sur la boîte et sur le panneau d'entrées arrière.

Numéro de modèle _____

Numéro de série _____

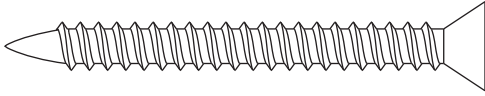
Parts List

Description	Qty	Part #
A soundbar	1	soundbar
B hook-on bracket	2	180-0265
C wall plate	1	180-0264
D left mount bracket	1	180-0268
E right mount bracket	1	180-0267
F remote control	1	remote
G #14 x 2.5" wood screw	2	520-D1033
H 8mm concrete anchor	2	590-0320
I lock washer	2	540-3622
J nylon washer	2	590-1231
K M8 X 25mm socket pin screw	2	520-D1101
L M8 x 40mm socket pin screw	2	520-D1152
M .5" spacer	2	540-1059
N .25" spacer	2	540-1002
O M5 x 10mm self-tapping	2	520-D1164
P end cap	2	590-0407
Q 4mm security allen wrench	1	520-1129
R AAA batery	2	410-0040
S toslink cable	1	410-0098



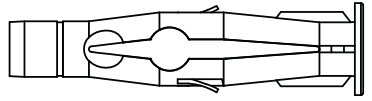
G (2)

#14 x 2-1/2" wood screw



H (2)

8mm concrete anchor



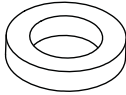
I (2)

lock washer



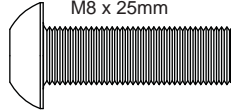
J (2)

nylon washer



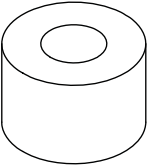
K (2)

M8 x 25mm



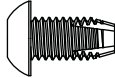
M (2)

.5" spacer



O (2)

M5 x 10mm



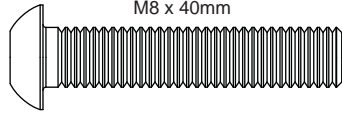
Q (1)

4mm allen wrench



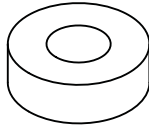
L (2)

M8 x 40mm

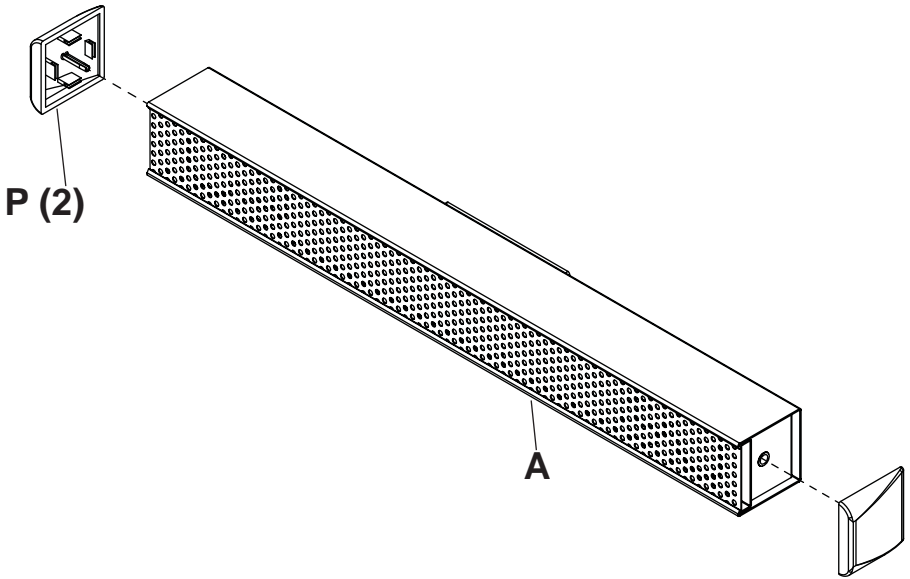


N (2)

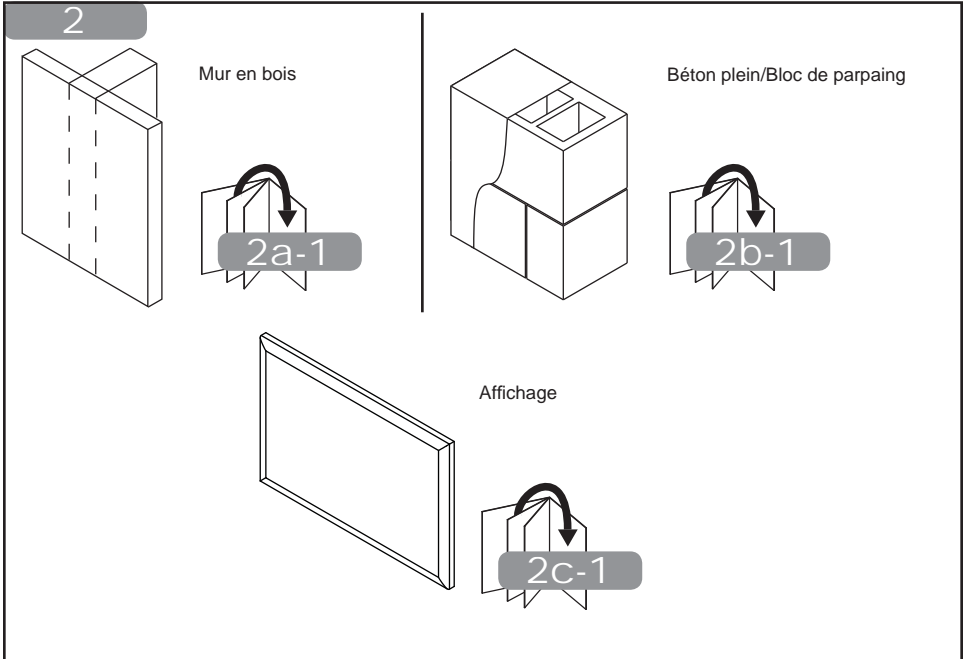
.25" spacer



1



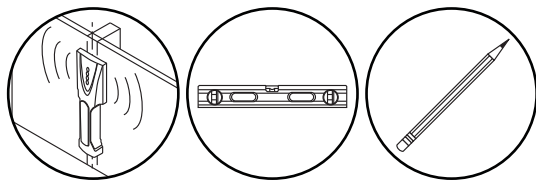
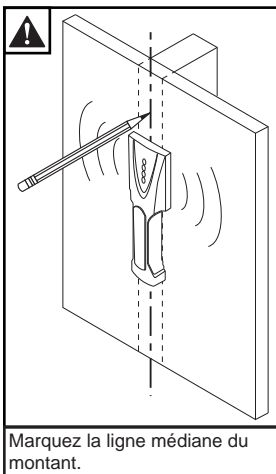
2



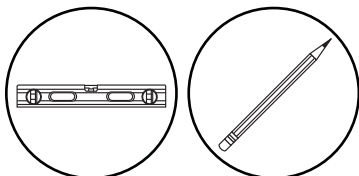
▲ AVERTISSEMENT

FRN - Lors de l'installation de supports muraux Peerless sur un mur à montants en bois recouvert de plaque de plâtre (cloison sèche), assurez-vous que les montants en bois ont une taille nominale d'au moins 2 po x 4 po (5 cm x 10 cm). Ne pas installer sur une plaque de plâtre dont l'épaisseur est supérieure à 5/8 po (16 mm).

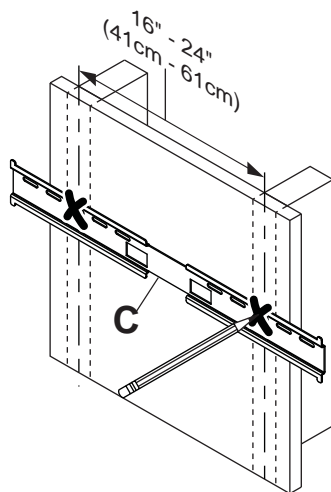
2a-1



2a-2

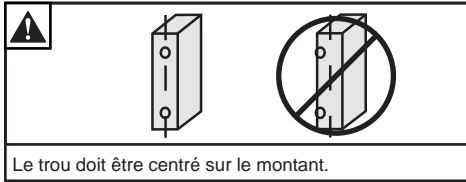
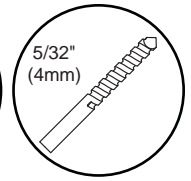
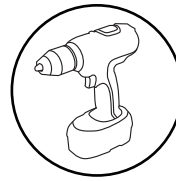
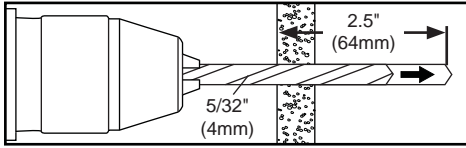


Marquez les trous de fixation le long de la ligne médiane du montant.



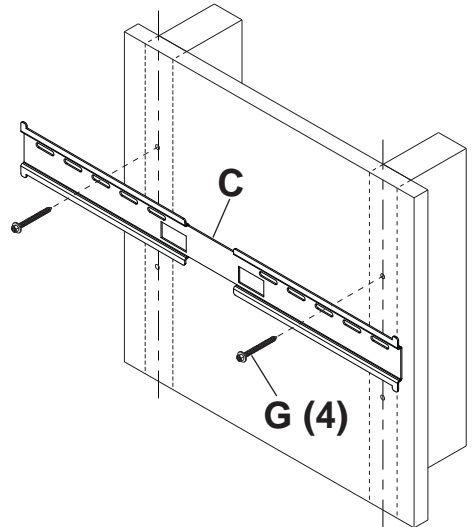
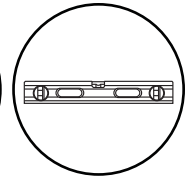
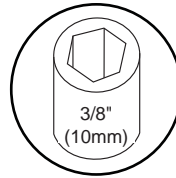
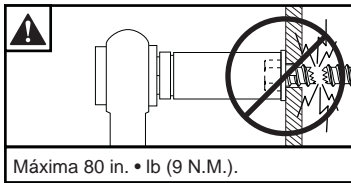
2a-3

Percez les trous de fixation dans la surface de support, une profondeur minimale de 2,5 po (64mm) est requise.



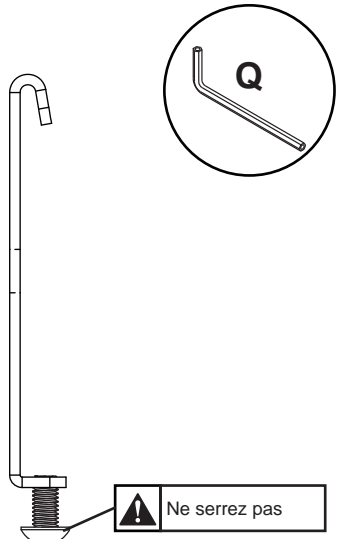
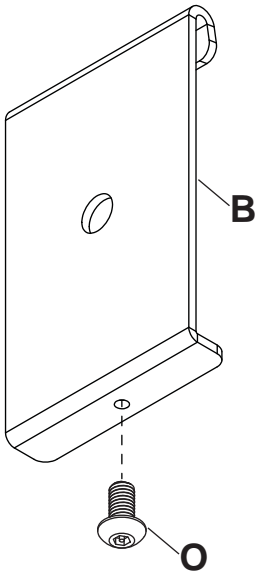
2a-4

Mettez à niveau et procédez au montage.

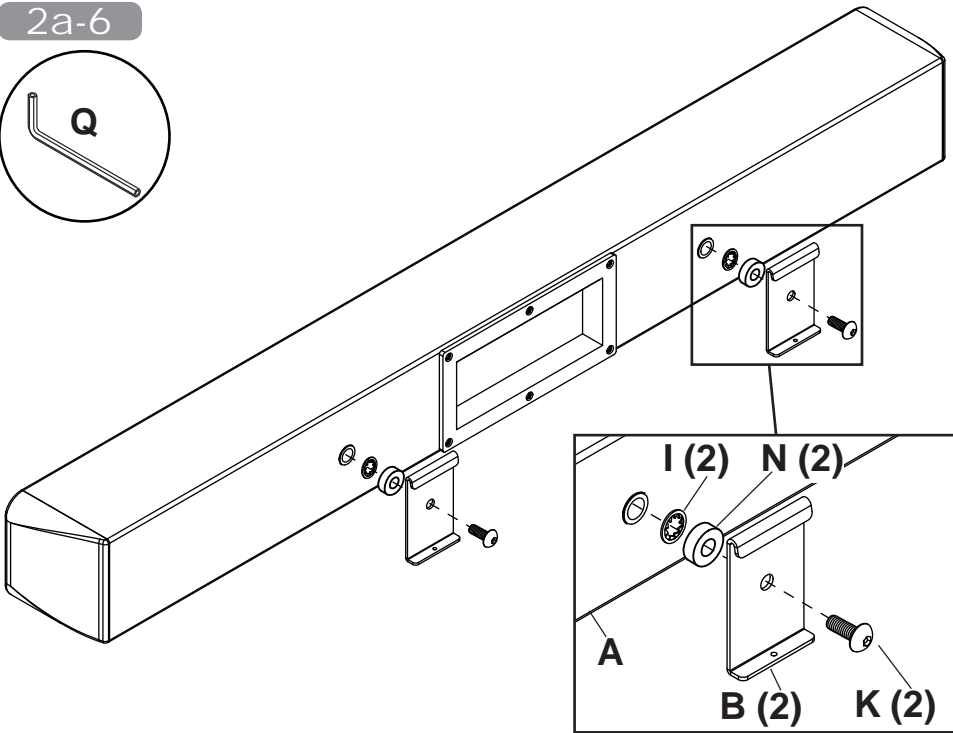
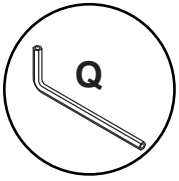


2a-5

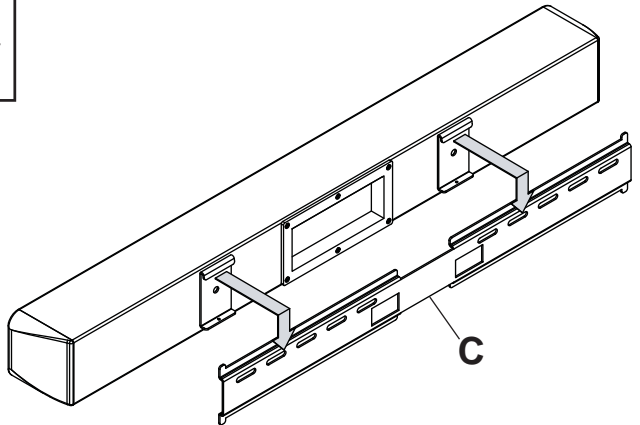
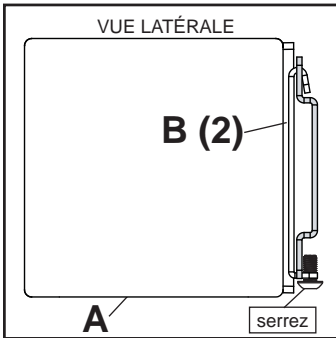
x2



2a-6



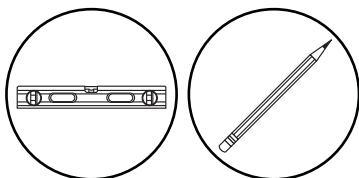
2a-7



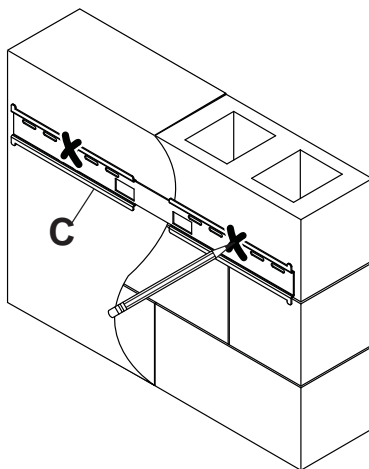
▲ AVERTISSEMENT

FRN - Lors de l'installation de supports muraux Peerless sur un mur en béton, celui-ci doit avoir au moins 8 po (20 cm) d'épaisseur et une résistance à la compression d'au moins 2 000 psi. Lors de l'installation de supports muraux Peerless sur un mur en blocs de béton, ceux-ci doivent respecter les normes ASTM C-90 et avoir une épaisseur nominale d'au moins 8 po (20 cm). Ne percez pas dans les joints de mortier! Veillez à installer le support dans une partie solide du bloc, généralement à un minimum de 1 po (25 mm) à partir du côté du bloc. Il est conseillé de percer le trou à l'aide d'une perceuse électrique standard à vitesse basse plutôt que d'un marteau perforateur afin d'éviter de briser le fond du trou lorsque vous entrez dans un vide ou une cavité. Ne fixez jamais des chevilles à expansion pour béton à du béton ou du bloc de béton recouvert d'une couche de plâtre, d'une cloison sèche ou de tout autre matériau de finition.

2b-1

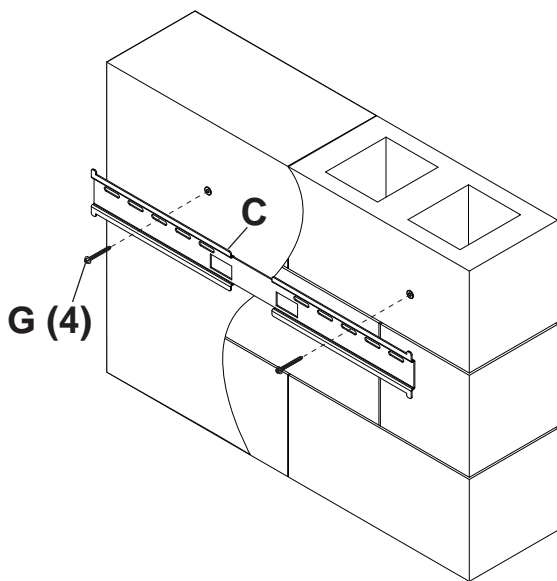
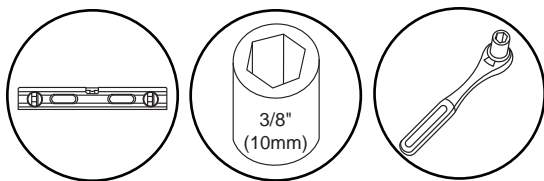
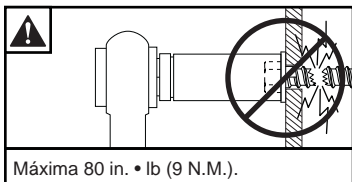


Marquez les trous de fixation.



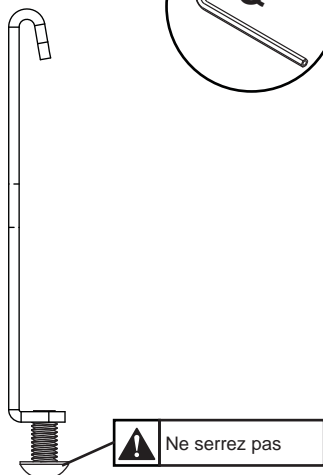
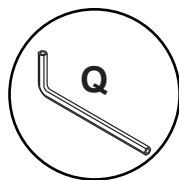
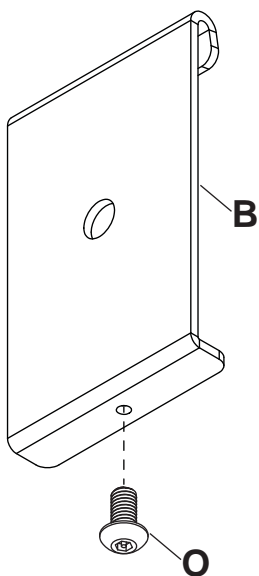
2b-4

Mettez à niveau et procédez au montage.

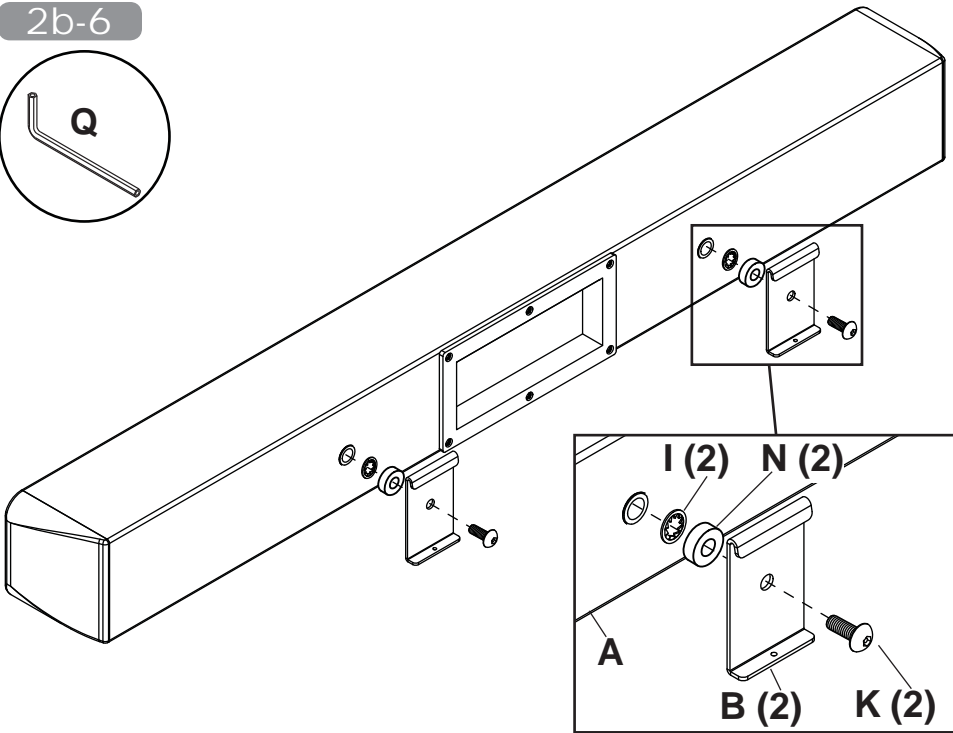
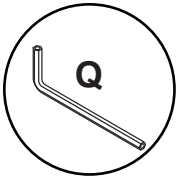


2b-5

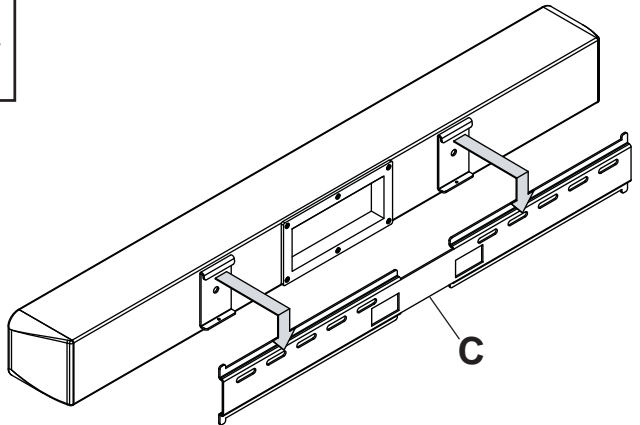
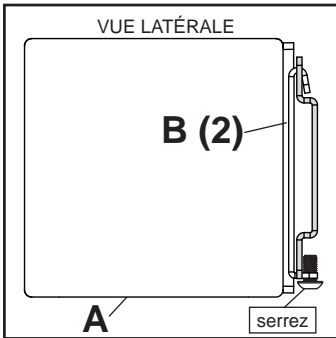
x2



2b-6

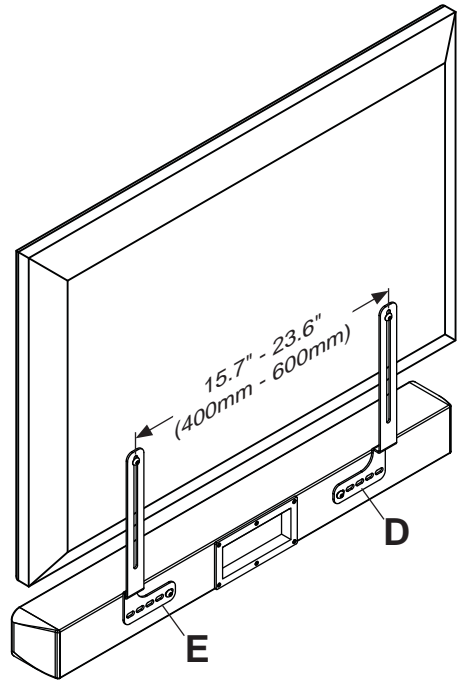
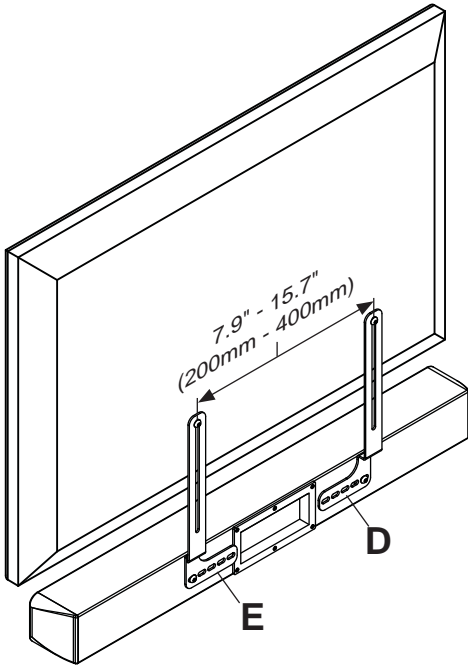


2b-7



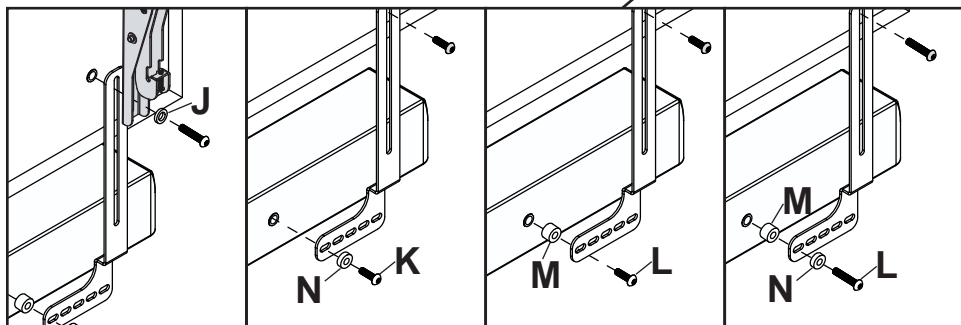
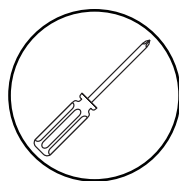
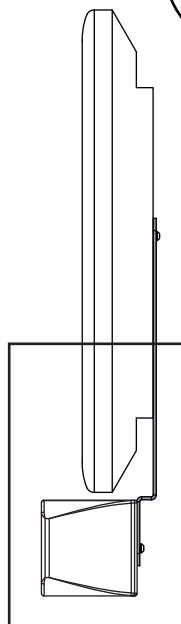
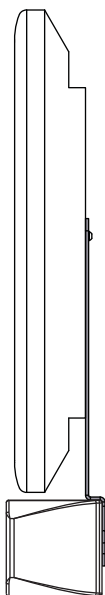
2c-1

Placer l'écran vers le bas sur une surface plane et propre.
Placer la barre audio côté grille vers le bas, au-dessus ou en dessous de l'écran. Déterminer laquelle des configurations de fixation ci-dessous correspond à celle de votre écran.



2c-2

Déterminer les pièces de fixation à utiliser selon la profondeur requise.



*Pièces de fixation incluses uniquement pour l'installation de la barre audio. Pour fixer l'écran, utiliser les pièces de fixation incluses avec le support de l'écran.

Mise en place et remplacement des piles

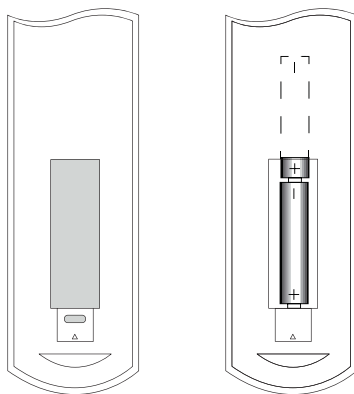
La télécommande est alimentée par deux piles AAA de 15 V préinstallées. Pour installer ou retirer les piles:

1. Remplacer les piles en retirant le couvercle des piles et en insérant deux nouvelles piles AAA.
Important: Faire correspondre les piles aux repères (+) et (-) marqués à l'intérieur de la télécommande.
2. Remettre en place le couvercle des piles sur la télécommande.

⚠ CAUTION

Une mauvaise utilisation des piles peut entraîner des fuites ou un éclatement. Peerless-AV d'utiliser les piles de la manière suivante:

1. Ne pas mélanger différentes marques de piles.
2. Ne pas mélanger des piles usagées et des piles neuves. Cela pourrait réduire leur durée de vie ou entraîner une fuite des piles.
3. Retirer immédiatement les piles déchargées pour éviter toute fuite d'acide sulfurique dans le compartiment des piles.
4. Ne pas toucher à de l'acide sulfurique qui a fui; il peut provoquer des lésions cutanées.
5. Retirer les piles si l'on ne prévoit pas utiliser la télécommande pendant une période prolongée.



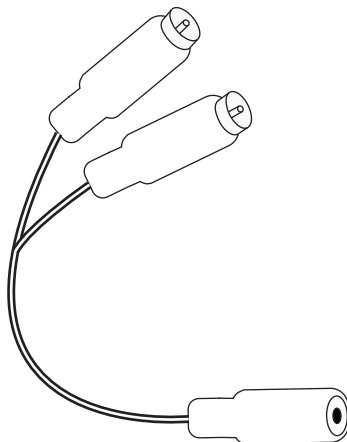
Gestion des câbles et orientation de la barre audio

Pour un branchement numérique:

1. Branchez le câble audio optique toslink fourni au port de sortie audionumérique optique du téléviseur. Assurez-vous que le câble est inséré entièrement.
2. Branchez l'autre extrémité du câble optique dans le port optique de la barre de son. Assurez-vous qu'il n'y a pas de resserrements ou de courbures excessives lorsque vous branchez le câble optique.
3. Brancher le câble d'alimentation de la barre audio sur la prise de courant la plus proche.
4. **Remarque:** Lorsque le port audio numérique optique n'est pas utilisé sur la barre de son, le capot devrait rester fermé.

Pour un branchement analogue:

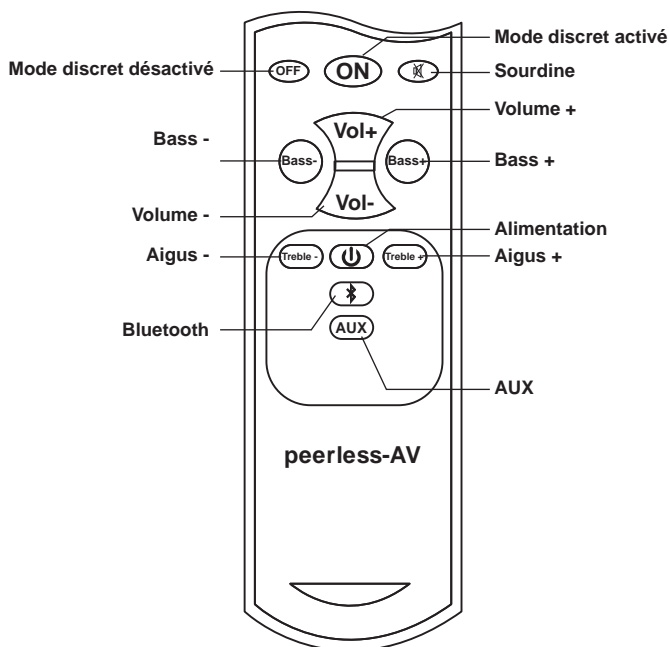
1. Raccorder le câble audio de 3,5 mm de la barre audio au port de sortie audio du téléviseur. Veiller à enfoncer complètement le câble audio de 3,5 mm.
2. Brancher le câble d'alimentation de la barre audio sur la prise de courant la plus proche.
3. **Remarque:** Si la sortie audio du téléviseur est stéréo RCA, un câble audio stéréo RCA mâle/femelle de 3,5 mm sera nécessaire.



Câble audio stéréo avec connecteur femelle de 3,5mm à mâle RCA (vendu séparément)

MODE D'EMPLOI

Utilisation de la Télécommande



1. Allumer le téléviseur.
2. Mettre la barre audio en marche en pointant la télécommande incluse vers l'avant de la barre audio et en appuyant sur le bouton ON (Marche). La barre audio commencera à diffuser le son provenant de l'écran. Si la barre audio ne produit aucun son, pointer la télécommande vers celle-ci et appuyer sur le bouton AUX. Vous devriez voir un témoin lumineux vert lorsque l'entrée Aux est sélectionnée. La sélection de l'entrée AUX sur la barre de son est compatible avec l'entrée analogue 3,5 mm et l'entrée audionumérique optique.
3. Pour écouter un appareil compatible Bluetooth, pointer la télécommande incluse vers l'avant de la barre audio et appuyer sur le bouton portant l'icône Bluetooth.
4. Un voyant bleu s'affiche sur la barre audio lorsque celle-ci passe à la source d'entrée Bluetooth. Veiller à ce que la fonction Bluetooth de l'appareil branché soit activée et à ce que celui-ci soit dans la plage de communication de Bluetooth (10 m/33 pi). Rechercher des appareils sur l'appareil compatible Bluetooth et sélectionner "Peerless-AV" dans la liste des appareils. Commencer la lecture du contenu de l'appareil compatible Bluetooth.

Fonctions de la télécommande

- Mode discret désactivé – Éteint la barre audio
- Mode discret activé – Met la barre audio en marche
- Sourdine – Active et désactive la sourdine
- Bass - – Diminue le niveau de basses
- Bass + – Augmente le niveau de basses
- Volume + – Augmente le volume
- Volume - – Diminue le volume
- Aigus - – Diminue le niveau des aigus
- Aigus + – Augmente le niveau des aigus
- Alimentation – Allume et éteint l'appareil
- Bluetooth – passe à la prise d'entrée Bluetooth
- AUX – passe à la prise d'entrée de 3,5 mm

Nota: La télécommande de la barre de son n'a pas d'indice IP. Veuillez ne pas exposer la télécommande à l'humidité. Ne laissez pas la télécommande à l'extérieur lorsque vous n'utilisez pas la barre de son.

CONSEILS

Diagnostic des pannes

Distorsion du son	<ul style="list-style-type: none"> Le niveau de la source ne doit pas dépasser 80 %. Vérifier que la fiche audio de 3,5 mm est complètement enfoncée.
Aucun son	<ul style="list-style-type: none"> Vérifier que la barre audio est branchée sur une prise alimentée. S'assurer que le câble d'interface audio est branché sur le port de sortie audio du téléviseur. S'assurer que le volume de la source n'est pas en mode sourdine et que le volume n'est pas réglé à zéro. Pointer la télécommande vers la barre audio et sélectionner l'entrée souhaitée pour la source de lecture actuelle.
Problème de connexion d'un appareil compatible Bluetooth	<ul style="list-style-type: none"> Pointer la télécommande incluse vers l'avant de la barre audio et appuyer sur l'icône Bluetooth. S'assurer que la fonction Bluetooth est activée sur l'appareil qui est branché et que celui-ci est à moins de 10 m/33 pi de la barre audio. Rechercher des appareils sur l'appareil qui est branché et sélectionner "peerless-AV" dans la liste des appareils. Si l'option "peerless-AV" n'est pas offerte dans la liste, désactivez l'option Bluetooth sur l'appareil. Désactivez l'option Bluetooth sur la barre de son en sélectionnant l'entrée Aux. Réactivez l'option Bluetooth sur la barre de son en appuyant sur le bouton Bluetooth sur la télécommande de la barre de son. Réactivez l'option Bluetooth de votre appareil et effectuez un autre balayage.

CARACTÉRISTIQUES DU PRODUIT

Les spécifications peuvent faire l'objet de modifications sans préavis.

Barre audio	
Plage de dimensions du téléviseur	42 po (107 cm) et plus
Amplificateur intégré de classe D	Puissance totale du système : 200 watts
SPL	105db
Filtre répartiteur	Traitement numérique du signal (DSP)
Pilotes	(2) pilotes en aluminium de 76 mm [3 po]
Haut-parleurs d'aigus	(2) dômes en titane de 38 mm [1,5 po]
Entrées audio	(1) Câble audionumérique optique, (1) Connecteur analogique de 3,5 mm, (1) entrée Bluetooth 4.0
Indice de protection de l'environnement	IP65
Réponse en fréquence	50Hz - 20kHz
Plage de températures de fonctionnement	-40° - 120°F (-40°C - 49°C)
Configuration de montage Vesa	Configuration large de 400 mm
Dimensions du produit	969 x 99 x 110 mm (38,13 x 3,91 x 4,32 po)
Poids du produit	9.7lb (4.4kg)

GARANTIE LIMITÉE D'UN AN - PIÈCES ET MAIN-D'ŒUVRE

La barre audio d'extérieur Xtreme de Peerless est garantie contre les défauts de matériau et de fabrication à compter de la date d'achat par le propriétaire d'origine. Si ce produit s'avère défectueux en vertu des conditions de cette garantie, Peerless-AV s'engage à réparer les pièces défectueuses ou à les remplacer par des pièces neuves et/ou remises à neuf, sans frais pour le propriétaire d'origine pour les pièces et la main-d'œuvre, sous réserve des conditions de cette garantie limitée.

Cette garantie limitée couvre les défaillances attribuables à des défauts de matériau ou de fabrication survenus à la suite d'une utilisation résidentielle ou commerciale normale, comme suit:

1. Pièces – la période de garantie des pièces est de (1) an à compter de la date d'achat originale. Pendant la période de garantie limitée applicable sur les pièces, les pièces défectueuses seront remplacées sans frais. Les pièces utilisées pour le remplacement seront garanties pour le reste de la durée originale de la garantie de ces pièces.
2. Main-d'œuvre – la période de garantie de la main-d'œuvre est de (1) an à compter de la date d'achat originale. Durant la période de garantie limitée applicable sur la main-d'œuvre, Peerless-AV fournira sans frais la main-d'œuvre pour les réparations au titre de la garantie pendant une période de (1) an à compter de la date d'achat originale.
3. Le propriétaire original doit fournir une preuve d'achat lors d'une demande de service au titre de la garantie limitée. L'envoi d'une copie du reçu de caisse daté original et du produit est exigé pour obtenir un service au titre de cette garantie limitée. L'enregistrement du produit au moment de l'achat est exigé.
4. Toutes les réparations doivent être effectuées par un fournisseur de services agréé Peerless-AV.
5. Le client est responsable du retour (y compris les frais de transport et d'expédition) de l'appareil défectueux à un fournisseur de services agréé Peerless-AV. S'il s'avère que le produit ne présente aucun défaut, le client sera également responsable des frais d'envoi du retour.

CETTE GARANTIE NE COUVRE PAS:

- Les dommages survenant au cours de l'expédition.
- Les dommages causés par le client lors du déballage et/ou le retrait du matériel d'emballage.
- Les dommages causés par une tension alternative incorrecte ou insuffisante.
- Les dommages causés par des surtensions ou la foudre.
- Les dommages occasionnés par un incendie, une inondation, la foudre, une tornade, un ouragan, une forte grêle, des bourrasques de vent extrêmement fortes, des tempêtes de sable, le vandalisme, le terrorisme ou d'autres cas de force majeure.
- Tout appareil ayant été modifié ou endommagé à la suite d'une mauvaise installation ou du non respect du mode d'emploi fourni dans le manuel de l'utilisateur.
- Tout dommage, défaillance, perte ou lésion corporelle résultant d'un accident, une négligence, un mauvais entretien, un mauvais entreposage, une modification de l'appareil ou du non respect du mode d'emploi fourni dans le manuel de l'utilisateur.
- Tout propriétaire autre que le propriétaire original.
- Tout appareil acheté auprès d'un vendeur non autorisé.
- Les dommages indirects, consécutifs ou particuliers, sauf si les lois fédérales ou provinciales l'exigent.
- Tout appareil altéré, modifié, ajusté ou réparé par une partie autre que le fournisseur de services agréé Peerless-AV.
- Tout dommage cosmétique de la surface comme un extérieur abîmé ou décoloré, ou des dommages dus à une usure normale ou à une exposition à des produits chimiques, de la pluie acide, une forte grêle ou de mauvaises conditions météorologiques.
- Comme le boîtier de la barre audio et ses composants sont assemblés à la main et altérés, nous ne couvrons pas les imperfections ou égratignures mineures sur l'extérieur de l'appareil.
- Tout dommage et toute égratignure ou imperfection de la barre audio et/ou du boîtier résultant d'un nettoyage par l'utilisateur.
- Si le numéro de série original du produit a été supprimé, abîmé ou altéré de quelque façon que ce soit.
- Les frais d'envoi du retour si l'appareil ne présente aucun défaut.

Peerless-AV et ses représentants ou agents ne sauraient en aucun cas être tenus responsables de tout dommage général, indirect ou consécutif résultant ou causé par l'utilisation ou l'impossibilité d'utiliser ce produit.

Cette garantie prévaut sur toute autre garantie, expresse ou implicite, ainsi que sur toute autre responsabilité de la part de Peerless-AV. Peerless-AV et ses représentants et/ou agents déclinent par la présente toute autre garantie, y compris les garanties de qualité marchande et d'adéquation à une utilisation particulière.

Les lois en vigueur dans certains États/provinces n'autorisent pas l'exclusion des garanties implicites; par conséquent, cette garantie sera réputée modifiée afin d'être en accord avec ladite législation. Cette limitation de responsabilité vous accorde des droits juridiques précis. Vous pouvez également vous prévaloir d'autres droits variant d'un état ou d'une province à l'autre.

Toutes les inspections et réparations au titre de la garantie doivent être effectuées par Peerless-AV ou ses réparateurs agréés.

Service à la clientèle : 800.865.2112 ou 630.375.5100

ENG	This page intentionally left blank.
ESP	Página en blanco.
FRN	Cette page a été laissée en blanc intentionnellement.



Peerless-AV
2300 White Oak Circle
Aurora, IL 60502
Ph: (800) 865-2112
Fax: (800) 359-6500
www.peerless-av.com

Peerless-AV Europe
Unit 3 Watford Interchange,
Colonial Way, Watford, Herts,
WD24 4WP, United Kingdom
Customer Care
44 (0) 1923 200 100
www.peerless-av.com

Peerless-AV de Mexico
Ave de las Industrias 413
Parque Industrial Escobedo
Escobedo N.L Mexico 66062
Servicio al Cliente
01-800-849-65-77
www.peerless-av.com