

FCC CFR47 PART 22H, 24E, 27 CERTIFICATION TEST REPORT

FCC ID: 2ANMU-WP7

Product: Smart Phone
Trade Mark: OUKITEL
Model Number: WP7
Family Model: N/A
Report No.: S19111903206005

Prepared for

SHENZHEN YUNJI INTELLIGENT TECHNOLOGY CO.,LTD
A2 2F BUILDING ENET NEW INDUSTRIAL PARK, DAFU
INDUSTRIAL ZONE, GUANLAN, LONGHUA, SHENZHEN, China

Prepared by

Shenzhen NTEK Testing Technology Co., Ltd.
1/F, Building E, Fenda Science Park, Sanwei Community, Xixiang Street
Bao'an District, Shenzhen 518126 P.R. China
Tel.: +86-755-6115 9388 Fax.: +86-755-6115 6599
Website: <http://www.ntek.org.cn>

TEST RESULT CERTIFICATION

Applicant's name : SHENZHEN YUNJI INTELLIGENT TECHNOLOGY CO.,LTD
Address : A2 2F BUILDING ENET NEW INDUSTRIAL PARK, DAFU INDUSTRIAL ZONE, GUANLAN, LONGHUA, SHENZHEN, China
Manufacturer's Name : SHENZHEN YUNJI INTELLIGENT TECHNOLOGY CO.,LTD
Address : A2 2F BUILDING ENET NEW INDUSTRIAL PARK, DAFU INDUSTRIAL ZONE, GUANLAN, LONGHUA, SHENZHEN, China
Product name..... : Smart Phone
Model and/or type reference ...: WP7
Family Model: N/A
Standards..... : FCC CFR 47 Part 22H, Part 24E, Part 27
Test procedure : ANSI C63.26:2015
ANSI/TIA-603-E-2016

This device described above has been tested by NTEK, and the test results show that the equipment under test (EUT) is in compliance with the FCC requirements. And it is applicable only to the tested sample identified in the report.

This report shall not be reproduced except in full, without the written approval of NTEK, this document may be altered or revised by NTEK, personal only, and shall be noted in the revision of the document.

Date of Test

Date (s) of performance of tests 21 Nov. 2019 ~ 06 Dec, 2019

Date of Issue 09 Dec, 2019

Test Result..... **Pass**

Testing Engineer : Allen Liu
(Allen Liu)

Technical Manager : Jason Chen
(Jason Chen)

Authorized Signatory : Sam Chen
(Sam Chen)

TABLE OF CONTENTS

1. GENERAL INFORMATION	6
1. GENERAL INFORMATION	6
1.1 PRODUCT DESCRIPTION	6
1.2 RELATED SUBMITTAL(S) / GRANT (S).....	8
1.3 TEST METHODOLOGY.....	8
1.4 TEST FACILITY.....	8
MEASUREMENT UNCERTAINTY	8
1.5 SPECIAL ACCESSORIES.....	8
1.6 WORST-CASE CONFIGURATION AND MODE.....	8
2. SYSTEM TEST CONFIGURATION	9
2.1 EUT CONFIGURATION.....	9
2.2 EUT EXERCISE	9
2.3 CONFIGURATION OF EUT SYSTEM.....	9
2.4 TEST SETUP	10
3.TEST AND MEASUREMENT EQUIPMENT	11
4. OUTPUT POWER.....	12
4.1 OUTPUT POWER MEASUREMENT	12
6. BANDEDGE AND EMISSION MASK.....	15
7. OUT OF BAND EMISSIONS.....	16
7.1 MEASUREMENT METHOD	16
8. RADIATED MEASUREMENT.....	17
8.1. RADIATED POWER (ERP & EIRP).....	17
8.2 LTE BAND 2	18
8.3 LTE BAND 4	22
8.4 LTE BAND 5	26

8.5 LTE BAND 7 28

8.6 LTE BAND 12 30

8.7 LTE BAND 17 32

8.8 LTE BAND 19 34

9. SPURIOUS RADIATION EMISSION36

9.1 LTE BAND 2 38

9.2 LTE BAND 4 40

9.3 LTE BAND 5 42

9.4 LTE BAND 7 44

9.5 LTE BAND 12 46

9.6 LTE BAND 17 48

9.7 LTE BAND 19 50

10. FREQUENCY STABILITY52

10.1 LTE BAND 2 53

10.2 LTE BAND 4 55

10.3 LTE BAND 5 57

10.4 LTE BAND 7 59

10.5 LTE BAND 12 61

10.6 LTE BAND 17 63

10.7 LTE BAND 19 65

11. PEAK-TO-AVERAGE RATIO67

11.1 Description of the PAR Measurement 67

11.2 Measuring Instruments 67

11.3 Test Procedures 67

11.4 Test Setup 67

1. GENERAL INFORMATION

1.1 PRODUCT DESCRIPTION

A major technical description of EUT is described as following:

Product Designation:	Smart Phone
Trade Mark	OUKITEL
Model Name	WP7
Family Model	N/A
Model Difference	N/A
FCC ID:	2ANMU-WP7
Frequency Bands:	U.S. Bands: <input checked="" type="checkbox"/> LTE FDD Band 2,4,5,7,12,17,19
Frequency Range:	LTE FDD Band 2 Uplink: 1850MHz-1910MHz, Downlink: 1930MHz-1990MHz; LTE FDD Band 4 Uplink: 1710MHz-1755MHz, Downlink: 2110MHz-2155MHz; LTE FDD Band 5 Uplink: 824MHz-849MHz, Downlink: 869MHz-894MHz; LTE-FDD Band 7 Uplink: 2500MHz-2570MHz, Downlink: 2620MHz-2690MHz; LTE FDD Band 12 Uplink: 699MHz-716MHz, Downlink: 729MHz-746MHz; LTE FDD Band 17 Uplink: 704MHz-716MHz, Downlink: 734MHz-746MHz; LTE FDD Band 19 Uplink: 830MHz-845MHz, Downlink: 875MHz-890MHz;
Type of Modulation:	QPSK/16QAM
SIM Card	SIM 1 and SIM 2 is a chipset unit and tested as a single chipset. The SIM 1 is chosen for test.
Antenna:	FPC Antenna
Antenna gain:	B2: 0.2dBi, B4: 0.1dBi, B5: -0.26dBi, B7: 0.61dBi, B12: -0.42dBi B17: -0.41dBi, B19: -0.31dBi,
Power Supply:	DC 3.85V/7800mAh from Battery or DC 5V from USB Port.

Adapter:	Model: HJ-FC010K7-US Input: 100-240V~50/60Hz 0.6A Output: 5V---2.0A 9V---2.0A 12V---1.5A
Extreme Vol. Limits:	DC 3.4V to DC 4.4V (Nominal DC 3.85V) (Note 1)
HW Version	HCT-S900MB-A2
SW Version	OUKITEL_WP7_EEA_V01_20191119
** Note1: The High Voltage DC 4.4V and Low Voltage 3.4V was declared by manufacturer, The EUT couldn't be operate normally with higher or lower voltage.	

1.2 RELATED SUBMITTAL(S) / GRANT (S)

This submittal(s) (test report) is intended for **FCC ID: 2ANMU-WP7** filing to comply with the FCC Part 22H&24E &27.

1.3 TEST METHODOLOGY

The tests documented in this report were performed in accordance with ANSI/TIA-603-E-2016, FCC CFR 47 Part 2, Part 22, Part 24, Part 27, ANSI C63.26:2015.

1.4 TEST FACILITY

The test site used to collect the radiated data is located at:

ShenZhen NTEK Testing Technology Co., Ltd.

1/F, Building E, Fenda Science Park, Sanwei Community, Xixiang Street, Bao'an District, Shenzhen 518126 P.R.China.

The test site is constructed and calibrated to meet the FCC requirements in documents ANSI C63.26:2015& ANSI C63.4: 2014.

FCC Registration No.:463705

IC Registration No.:9270A-1,

CNAS Registration No.:L5516

MEASUREMENT UNCERTAINTY

The reported uncertainty of measurement, where expended uncertainty U is based on a standard uncertainty multiplied by a coverage factor of k=2, providing a level of confidence of approximately 95 %.

No.	Item	Uncertainty
1	Measuring Uncertainty for a Level of Confidence of 95% ($U = 2Uc(y)$)	2.5dB

1.5 SPECIAL ACCESSORIES

The battery and the charger, earphone supplied by the applicant were used as accessories and being tested with EUT intended for FCC grant together.

1.6 WORST-CASE CONFIGURATION AND MODE

The worst-case scenario for all measurements is based on the investigation results.

The device has LTE Bands of: Band 2, Band 4, Band 5, Band 7, Band 12, Band 17, Band 19.

The RB Size was selected to measure for peak or average ERP and EIRP, which was based on the conducted power verification baseline data.

For the fundamental investigation of radiated emissions, the EUT is investigated for vertical and horizontal antenna orientations and X Y and Z orientations of the EUT alone. After the investigations the worst case was determined to be at X orientation for all LTE bands.

2. SYSTEM TEST CONFIGURATION

2.1 EUT CONFIGURATION

The EUT configuration for testing is installed on RF field strength measurement to meet the Commission’s requirement and operating in a manner which intends to maximize its emission characteristics in a continuous normal application.

2.2 EUT EXERCISE

The Transmitter was operated in the maximum output power mode through Communication Tester. The TX frequency was fixed which was for the purpose of the measurements.

2.3 CONFIGURATION OF EUT SYSTEM

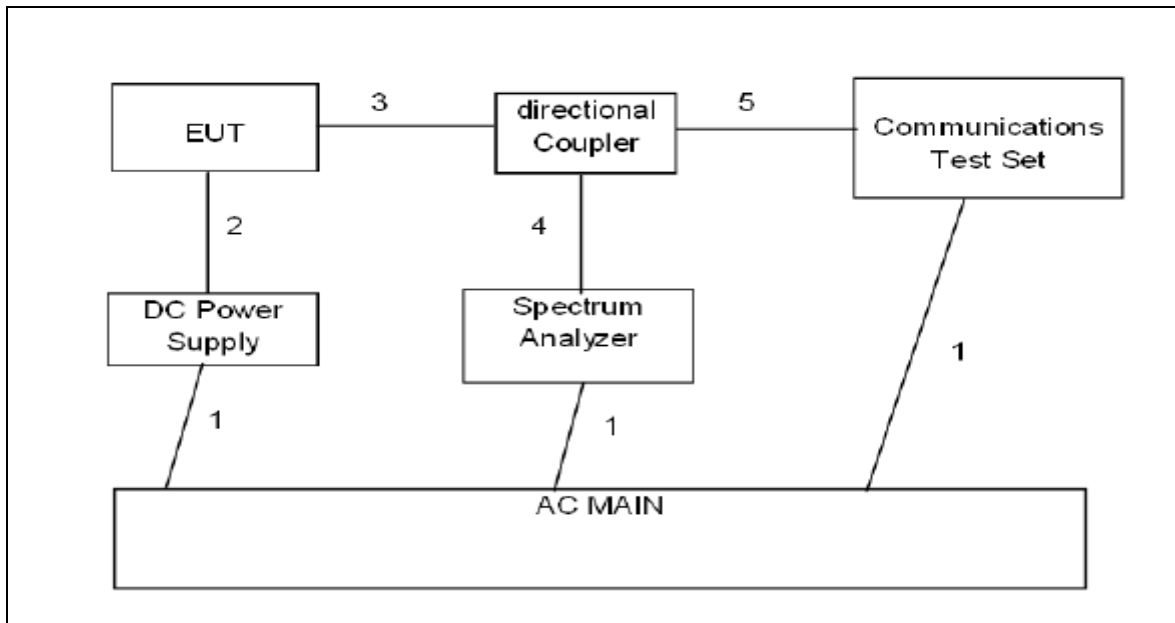
Table 2-1 Equipment Used in EUT System

Item	Equipment	Model No.	ID or Specification	Note
1	Smart Phone	WP7	FCC ID: 2ANMU-WP7	EUT

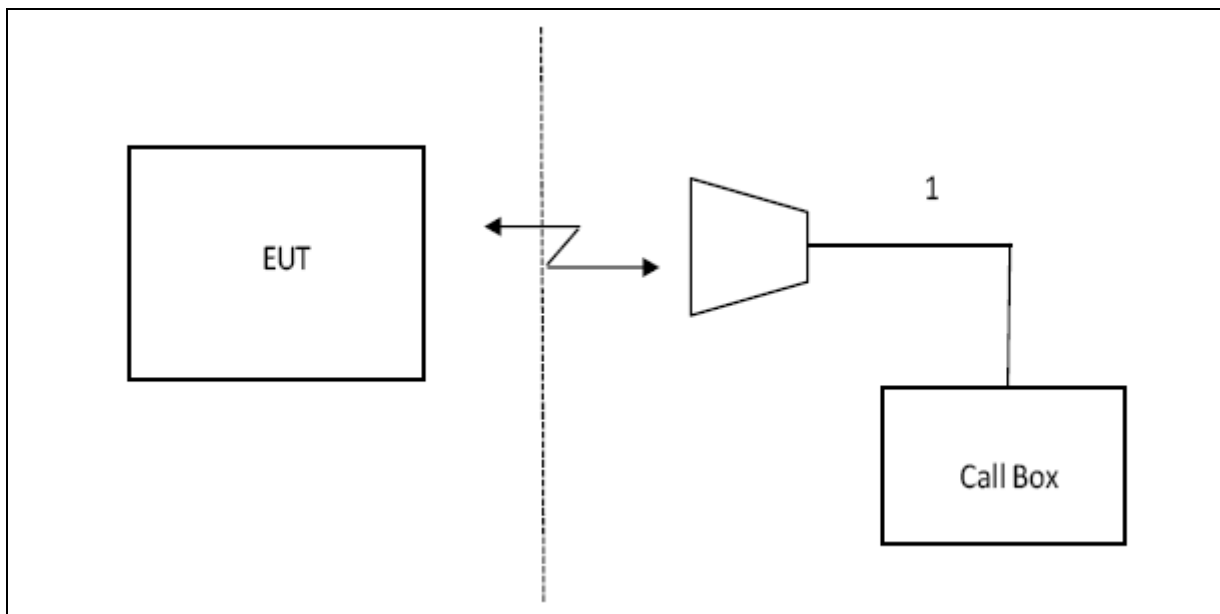
*Note: All the accessories have been used during the test.
the following “EUT” in setup diagram means EUT system.*

2.4 TEST SETUP

CONDUCTED SETUP DIAGRAM FOR TESTS



RADIATED SETUP DIAGRAM FOR TESTS



3. TEST AND MEASUREMENT EQUIPMENT

The following test and measurement equipment was utilized for the tests documented in this report:

NAME OF EQUIPMENT	MANUFACTURER	MODEL	SERIAL NUMBER	NEXT CAL. DATE
SPECTRUM ANALYZER	AGILENT	N9020A	MY49100060	2020.08.27
TEST RECEIVER	R&S	ESCI	A0304218	2020.05.12
COMMUNICATION TESTER	R&S	CMU200	117858	2020.05.12
COMMUNICATION TESTER	R&S	CMW500	148500	2020.05.12
TEST RECEIVER	R&S	ESPI	101318	2020.05.12
LISN	SCHWARZBECK	NSLK8127	A0304233	2020.05.12
CLIMATE CHAMBER	ALBATROSS	--	--	2020.05.12
Loop Antenna	ARA	PLA-1030/B	1029	2020.05.12
Biological Antenna	TESEQ	CBL6111D	31216	2020.05.12
Horn Antenna	EM	EM-AH-10180	2011071402	2020.05.12
DC Power Source	N/A	PS-6005D	20170402923	2020.05.12

4. OUTPUT POWER

4.1 OUTPUT POWER MEASUREMENT

LTE Measurement Procedure:

All LTE bands conducted power peak and average are obtained from the CMW500 telecommunication test set. The following tests were conducted according to the test requirements outlined in section 6.2 of the 3GPP TS36.101 specification.

UE Power Class: 3 (23 +/- 2dBm). The allowed Maximum Power Reduction (MPR) for the maximum output power due to higher order modulation and transmit bandwidth configuration (resource blocks) is specified in Table 6.2.3-1 of the 3GPP TS36.101.

Table 6.2.3-1: Maximum Power Reduction (MPR) for Power Class 3

Modulation	Channel bandwidth / Transmission bandwidth (RB)						MPR (dB)
	1.4 MHz	3.0 MHz	5 MHz	10 MHz	15 MHz	20 MHz	
QPSK	> 5	> 4	> 8	> 12	> 16	> 18	≤ 1
16 QAM	≤ 5	≤ 4	≤ 8	≤ 12	≤ 16	≤ 18	≤ 1
16 QAM	> 5	> 4	> 8	> 12	> 16	> 18	≤ 2

The allowed A-MPR values specified below in Table 6.2.4.-1 of 3GPP TS36.101 are in addition to the allowed MPR requirements. All the measurements below were performed with A-MPR disabled, by using Network Signaling Value of "NS_01".3

Table 6.2.4-1: Additional Maximum Power Reduction (A-MPR)

Network Signalling value	Requirements (sub-clause)	E-UTRA Band	Channel bandwidth (MHz)	Resources Blocks (N_{RB})	A-MPR (dB)
NS_01	6.6.2.1.1	Table 5.5-1	1.4, 3, 5, 10, 15, 20	Table 5.6-1	NA
NS_03	6.6.2.2.1	2, 4, 10, 23, 25, 35, 36	3	>5	≤ 1
			5	>6	≤ 1
			10	>6	≤ 1
			15	>8	≤ 1
			20	>10	≤ 1
NS_04	6.6.2.2.2	41	5	>6	≤ 1
			10, 15, 20	See Table 6.2.4-4	
NS_05	6.6.3.3.1	1	10, 15, 20	≥ 50	≤ 1
NS_06	6.6.2.2.3	12, 13, 14, 17	1.4, 3, 5, 10	Table 5.6-1	n/a
NS_07	6.6.2.2.3	13	10	Table 6.2.4-2	Table 6.2.4-2
	6.6.3.3.2				
NS_08	6.6.3.3.3	19	10, 15	> 44	≤ 3
NS_09	6.6.3.3.4	21	10, 15	> 40	≤ 1
				> 55	≤ 2
NS_10		20	15, 20	Table 6.2.4-3	Table 6.2.4-3
NS_11	6.6.2.2.1	23 ¹	1.4, 3, 5, 10	Table 6.2.4-5	Table 6.2.4-5
..					
NS_32	-	-	-	-	-

Note 1: Applies to the lower block of Band 23, i.e. a carrier placed in the 2000-2010 MHz region.

Test data reference attachment.

5. OCCUPIED BANDWIDTH

RULE PART(S)

FCC: §2.1049

LIMITS

For reporting purposes only

TEST PROCEDURE

The transmitter output was connected to a calibrated coaxial cable and coupler, the other end of which was connected to a spectrum analyzer. The occupied bandwidth was measured with the spectrum analyzer at the low, middle and high channel in each band. The -26dB bandwidth was also measured and recorded.

MODES TESTED

- LTE Band 2
- LTE Band 4
- LTE Band 5
- LTE Band 7
- LTE Band 12
- LTE Band 17
- LTE Band 19

RESULTS

PASS

Test data reference attachment.

6. BANDEDGE AND EMISSION MASK

RULE PART(S)

FCC: §2.1051, §22.901, §22.917, §24.238, §27.53, and §90.691

FCC: §22.359

LIMITS

FCC: §22.359, §24.238,

The power of any emission outside of the authorized operating frequency ranges must be attenuated below the transmitting power (P) by a factor of at least $43 + 10 \log (P)$ dB.

(m)(4) For mobile digital stations, the attenuation factor shall be not less than $40 + 10 \log (P)$ dB on all frequencies between the channel edge and 5 megahertz from the channel edge, $43 + 10 \log (P)$ dB on all frequencies between 5 megahertz and X megahertz from the channel edge, and $55 + 10 \log (P)$ dB on all frequencies more than X megahertz from the channel edge, where X is the greater of 6 megahertz or the actual emission bandwidth as defined in paragraph (m)(6) of this section. In addition, the attenuation factor shall not be less that $43 + 10 \log (P)$ dB on all frequencies between 2490.5 MHz and 2496 MHz and $55 + 10 \log (P)$ dB at or below 2490.5 MHz. Mobile Satellite Service licensees operating on frequencies below 2495 MHz may also submit a documented interference complaint against BRS licensees operating on channel BRS Channel 1 on the same terms and conditions as adjacent channel BRS or EBS licensees. Show citation box.

TEST PROCEDURE

The transmitter output was connected to a CMW500 Test Set and configured to operate at maximum power. The band edge emissions were measured at the required operating frequencies in each band on the Spectrum Analyzer.

For each band edge measurement:

Set the spectrum analyzer span to include the block edge frequency (704, 716, 824, 849, 1710 and 1755, 1850 and 1910MHz)

Set a marker to point the corresponding band edge frequency in each test case.

MODES TESTED

LTE Band 2
LTE Band 4
LTE Band 5
LTE Band 7
LTE Band 12
LTE Band 17
LTE Band 19

RESULTS

Test data reference attachment.

7. OUT OF BAND EMISSIONS

RULE PART(S)

FCC: §2.1051, §22.901, §22.917, §24.238 and §27.53

LIMITS

The power of any emission outside of the authorized operating frequency ranges must be attenuated below the transmitting power (P) by a factor of at least $43 + 10 \log (P)$ dB.

TEST PROCEDURE

The RF output of the transmitter was connected to a spectrum analyzer through a calibrated coaxial cable. Sufficient scans were taken to show the out-of-band Emissions, if any, up to 10th harmonic. Multiple sweeps were recorded in maximum hold mode using a peak detector to ensure that the worst-case emissions were caught.

For each out of band emissions measurement:

Set RBW & VBW to 100 kHz for the measurement below 1 GHz, and 1 MHz for the measurement above 1 GHz.

MODES TESTED

- LTE Band 2
- LTE Band 4
- LTE Band 5
- LTE Band 7
- LTE Band 12
- LTE Band 17
- LTE Band 19

7.1 MEASUREMENT METHOD

The test set up and general procedure is similar to conducted peak output power test. Only different for setting the measurement configuration of the measuring instrument of Spectrum Analyzer.

Test data reference attachment.

8. RADIATED MEASUREMENT

8.1. RADIATED POWER (ERP & EIRP)

RULE PART(S)

FCC: §2.1046, §22.913, §24.232 and §27.50

LIMITS:

22.913(a) - The ERP of mobile transmitters and auxiliary test transmitters must not exceed 7 Watts.

27.50 (c) (10) the following power and antenna height requirements apply to stations transmitting in the 698–746 MHz band, the portable stations (hand-held devices) are limited to 3 watts ERP.

27.50 (b)(10) Portable stations (hand-held devices) transmitting in the 746–757 MHz, 758–763 MHz, 776–793 MHz, and 805–806 MHz bands are limited to 3 watts ERP.

27.50 (d)(4) The following power and antenna height requirements apply to stations transmitting in the 1710–1755 MHz and 2110–2155 MHz bands: Fixed, mobile, and portable (hand-held) stations operating in the 1710–1755 MHz band are limited to 1 watt EIRP.

TEST PROCEDURE

ANSI/TIA-603-E Clause 2.2.17

KDB 971168 v02r01 RF power output using broadband peak and average power meter method.

KDB 971168 D01 Power Meas License Digital Systems v02r01, "Measurement Guidance for Certification of Licensed Digital Transmitters"

MODES TESTED

LTE Band 2
LTE Band 4
LTE Band 5
LTE Band 7
LTE Band 12
LTE Band 17
LTE Band 19

RESULTS

Pass

8.2 LTE BAND 2

Radiated Power (EIRP) for Band 2									
Mode	RB/RB SIZE	Frequency	Result						Conclusion
			SG Level (dBm)	Cable Loss (dBm)	Antenna Gain (dB)	Max. EIRP Average (dBm)	Max. EIRP	Polarization Of Max. ERP	
							Average (mW)		
1.4MHz Band QPSK	1/Mid	1850.7	-3.55	3.76	28.24	20.93	123.941	Horizontal	Pass
		1880	-3.29	3.91	28.22	21.02	126.456	Horizontal	Pass
		1909.3	-3.30	3.93	28.2	20.97	125.000	Horizontal	Pass
3.0MHz Band QPSK	1/Mid	1851.5	-3.55	3.77	28.23	20.91	123.301	Horizontal	Pass
		1880	-3.42	3.91	28.24	20.91	123.445	Horizontal	Pass
		1908.5	-3.34	3.94	28.25	20.97	125.040	Horizontal	Pass
5.0MHz Band QPSK	1/Mid	1852.5	-3.69	3.77	28.31	20.85	121.722	Horizontal	Pass
		1880	-3.40	3.91	28.22	20.91	123.444	Horizontal	Pass
		1907.5	-3.50	3.94	28.2	20.76	119.066	Horizontal	Pass
10.0MHz Band QPSK	1/Mid	1855	-3.66	3.79	28.33	20.88	122.418	Horizontal	Pass
		1880	-3.29	3.95	28.22	20.98	125.197	Horizontal	Pass
		1905	-3.19	3.97	28.19	21.03	126.720	Horizontal	Pass
15.0MHz Band QPSK	1/Mid	1857.5	-3.41	3.79	28.34	21.14	130.141	Horizontal	Pass
		1880	-3.13	3.95	28.22	21.14	129.984	Horizontal	Pass
		1902.5	-3.04	3.97	28.18	21.17	130.813	Horizontal	Pass
20.0MHz Band QPSK	1/Mid	1860	-3.61	3.81	28.35	20.93	123.852	Horizontal	Pass
		1880	-3.38	3.96	28.22	20.88	122.322	Horizontal	Pass
		1900	-3.08	4	28.16	21.08	128.328	Horizontal	Pass
1.4MHz Band QPSK	1/Mid	1850.7	-3.59	3.76	28.24	20.89	122.849	Vertical	Pass
		1880	-3.39	3.91	28.22	20.92	123.583	Vertical	Pass
		1909.3	-3.40	3.93	28.2	20.87	122.307	Vertical	Pass
3.0MHz Band QPSK	1/Mid	1851.5	-3.41	3.77	28.23	21.05	127.363	Vertical	Pass
		1880	-3.26	3.91	28.24	21.07	127.872	Vertical	Pass
		1908.5	-3.19	3.94	28.25	21.12	129.524	Vertical	Pass
5.0MHz Band QPSK	1/Mid	1852.5	-3.61	3.77	28.31	20.93	123.861	Vertical	Pass
		1880	-3.31	3.91	28.22	21.00	126.022	Vertical	Pass
		1907.5	-3.48	3.94	28.2	20.78	119.725	Vertical	Pass
10.0MHz Band	1/Mid	1855	-3.55	3.79	28.33	20.99	125.728	Vertical	Pass
		1880	-3.34	3.95	28.22	20.93	123.898	Vertical	Pass

QPSK		1905	-3.37	3.97	28.19	20.85	121.562	Vertical	Pass
15.0MH z Band QPSK	1/Mid	1857.5	-3.52	3.79	28.34	21.03	126.909	Vertical	Pass
		1880	-3.27	3.95	28.22	21.00	125.762	Vertical	Pass
		1902.5	-2.99	3.97	28.18	21.22	132.384	Vertical	Pass
20.0MH z Band QPSK	1/Mid	1860	-3.53	3.81	28.35	21.01	126.247	Vertical	Pass
		1880	-3.43	3.96	28.22	20.83	120.938	Vertical	Pass
		1900	-2.91	4	28.16	21.25	133.499	Vertical	Pass

Note:

SG Level= Signal generator output

Max. EIRP Average (dBm)= Antenna Gain(dB)+ SG Level (dBm)- Cable Loss(dBm)

Radiated Power (EIRP) for Band 2									
Mode	RB/RB SIZE	Frequency	Result					Polarization Of Max. ERP	Conclusion
			SG Level (dBm)	Cable Loss (dBm)	Antenna Gain (dB)	Max. EIRP Average (dBm)	Max. EIRP		
							Average (mW)		
1.4MHz Band 16 QAM	1/Mid	1850.7	-4.47	3.76	28.24	20.01	100.118	Horizontal	Pass
		1880	-4.24	3.91	28.22	20.07	101.681	Horizontal	Pass
		1909.3	-4.18	3.93	28.2	20.09	102.132	Horizontal	Pass
3.0MHz Band 16 QAM	1/Mid	1851.5	-4.47	3.77	28.23	19.99	99.833	Horizontal	Pass
		1880	-4.43	3.91	28.24	19.90	97.831	Horizontal	Pass
		1908.5	-4.28	3.94	28.25	20.03	100.646	Horizontal	Pass
5.0MHz Band 16 QAM	1/Mid	1852.5	-4.56	3.77	28.31	19.98	99.433	Horizontal	Pass
		1880	-4.16	3.91	28.22	20.15	103.406	Horizontal	Pass
		1907.5	-4.28	3.94	28.2	19.98	99.634	Horizontal	Pass
10.0MHz Band 16 QAM	1/Mid	1855	-4.50	3.79	28.33	20.04	100.894	Horizontal	Pass
		1880	-4.18	3.95	28.22	20.09	102.193	Horizontal	Pass
		1905	-4.23	3.97	28.19	19.99	99.697	Horizontal	Pass
15.0MHz Band 16 QAM	1/Mid	1857.5	-4.56	3.79	28.34	19.99	99.852	Horizontal	Pass
		1880	-4.29	3.95	28.22	19.98	99.570	Horizontal	Pass
		1902.5	-4.20	3.97	28.18	20.01	100.305	Horizontal	Pass
20.0MHz Band 16 QAM	1/Mid	1860	-4.52	3.81	28.35	20.02	100.528	Horizontal	Pass
		1880	-4.15	3.96	28.22	20.11	102.545	Horizontal	Pass
		1900	-4.26	4	28.16	19.90	97.735	Horizontal	Pass
1.4MHz Band 16 QAM	1/Mid	1850.7	-4.41	3.76	28.24	20.07	101.527	Vertical	Pass
		1880	-4.34	3.91	28.22	19.97	99.346	Vertical	Pass
		1909.3	-4.13	3.93	28.2	20.14	103.229	Vertical	Pass
3.0MHz Band 16 QAM	1/Mid	1851.5	-4.49	3.77	28.23	19.97	99.388	Vertical	Pass
		1880	-4.42	3.91	28.24	19.91	98.055	Vertical	Pass
		1908.5	-4.26	3.94	28.25	20.05	101.244	Vertical	Pass
5.0MHz Band 16 QAM	1/Mid	1852.5	-4.51	3.77	28.31	20.03	100.772	Vertical	Pass
		1880	-4.36	3.91	28.22	19.95	98.931	Vertical	Pass
		1907.5	-4.15	3.94	28.2	20.11	102.665	Vertical	Pass
10.0MHz Band 16 QAM	1/Mid	1855	-4.67	3.79	28.33	19.87	96.983	Vertical	Pass
		1880	-4.36	3.95	28.22	19.91	97.972	Vertical	Pass
		1905	-4.45	3.97	28.19	19.77	94.741	Vertical	Pass
15.0MHz Band	1/Mid	1857.5	-4.68	3.79	28.34	19.87	96.993	Vertical	Pass
		1880	-4.33	3.95	28.22	19.94	98.706	Vertical	Pass

16 QAM		1902.5	-4.28	3.97	28.18	19.93	98.491	Vertical	Pass
20.0MH	1/Mid	1860	-4.47	3.81	28.35	20.07	101.569	Vertical	Pass
z Band		1880	-4.10	3.96	28.22	20.16	103.853	Vertical	Pass
16 QAM		1900	-4.14	4	28.16	20.02	100.566	Vertical	Pass

Note:

SG Level= Signal generator output

Max. EIRP Average (dBm)= Antenna Gain(dB)+ SG Level (dBm)- Cable Loss(dBm)

8.3 LTE BAND 4

Radiated Power (EIRP) for Band 4										
Mode	RB/RB SIZE	Frequency	Result						Polarization Of Max. ERP	Conclusion
			SG Level (dBm)	Cable Loss (dBm)	Antenna Gain (dB)	Max. EIRP	Max. EIRP			
						Average (dBm)	Average (mW)			
1.4MHz Band QPSK	1/Mid	1710.7	-3.49	3.12	27.58	20.97	125.082	Horizontal	Pass	
		1732.5	-3.58	3.27	27.61	20.76	119.215	Horizontal	Pass	
		1754.3	-3.22	3.29	27.63	21.12	129.562	Horizontal	Pass	
3.0MHz Band QPSK	1/Mid	1711.5	-3.61	3.13	27.61	20.87	122.210	Horizontal	Pass	
		1732.5	-3.38	3.27	27.61	20.96	124.850	Horizontal	Pass	
		1753.5	-3.30	3.3	27.62	21.02	126.398	Horizontal	Pass	
5.0MHz Band QPSK	1/Mid	1712.5	-3.28	3.13	27.63	21.22	132.445	Horizontal	Pass	
		1732.5	-2.98	3.27	27.61	21.36	136.639	Horizontal	Pass	
		1752.5	-3.04	3.3	27.6	21.26	133.532	Horizontal	Pass	
10.0MHz z Band QPSK	1/Mid	1715	-3.32	3.15	27.64	21.17	130.951	Horizontal	Pass	
		1732.5	-3.31	3.31	27.61	20.99	125.568	Horizontal	Pass	
		1750	-3.21	3.33	27.59	21.05	127.492	Horizontal	Pass	
15.0MHz z Band QPSK	1/Mid	1717.5	-3.63	3.15	27.65	20.87	122.156	Horizontal	Pass	
		1732.5	-3.21	3.31	27.61	21.09	128.529	Horizontal	Pass	
		1747.5	-3.23	3.33	27.57	21.01	126.179	Horizontal	Pass	
20.0MHz z Band QPSK	1/Mid	1720	-3.45	3.17	27.66	21.04	126.927	Horizontal	Pass	
		1732.5	-3.22	3.32	27.61	21.07	127.886	Horizontal	Pass	
		1745	-3.33	3.36	27.56	20.87	122.076	Horizontal	Pass	
1.4MHz Band QPSK	1/Mid	1710.7	-3.44	3.12	27.58	21.02	126.424	Vertical	Pass	
		1732.5	-3.38	3.27	27.61	20.96	124.661	Vertical	Pass	
		1754.3	-3.36	3.29	27.63	20.98	125.285	Vertical	Pass	
3.0MHz Band QPSK	1/Mid	1711.5	-3.42	3.13	27.61	21.06	127.609	Vertical	Pass	
		1732.5	-3.24	3.27	27.61	21.10	128.847	Vertical	Pass	
		1753.5	-3.40	3.3	27.62	20.92	123.691	Vertical	Pass	
5.0MHz Band QPSK	1/Mid	1712.5	-3.16	3.13	27.63	21.34	136.196	Vertical	Pass	
		1732.5	-3.07	3.27	27.61	21.27	133.842	Vertical	Pass	
		1752.5	-2.99	3.3	27.6	21.31	135.092	Vertical	Pass	
10.0MHz z Band QPSK	1/Mid	1715	-3.43	3.15	27.64	21.06	127.524	Vertical	Pass	
		1732.5	-3.28	3.31	27.61	21.02	126.548	Vertical	Pass	
		1750	-3.21	3.33	27.59	21.05	127.416	Vertical	Pass	

15.0MH z Band QPSK	1/Mid	1717.5	-3.56	3.15	27.65	20.94	124.113	Vertical	Pass
		1732.5	-3.16	3.31	27.61	21.14	130.106	Vertical	Pass
		1747.5	-3.10	3.33	27.57	21.14	129.901	Vertical	Pass
20.0MH z Band QPSK	1/Mid	1720	-3.07	3.17	27.66	21.42	138.564	Vertical	Pass
		1732.5	-3.25	3.32	27.61	21.04	126.971	Vertical	Pass
		1745	-3.22	3.36	27.56	20.98	125.431	Vertical	Pass

Note:

SG Level= Signal generator output

Max. EIRP Average (dBm)= Antenna Gain(dB)+ SG Level (dBm)- Cable Loss(dBm)

Radiated Power (EIRP) for Band 4									
Mode	RB/RB SIZE	Frequency	Result						Conclusion
			SG Level (dBm)	Cable Loss (dBm)	Antenna Gain (dB)	Max. EIRP	Max. EIRP	Polarization Of Max. ERP	
						Average (dBm)	Average (mW)		
1.4MHz Band 16 QAM	1/Mid	1710.7	-4.34	3.12	27.58	20.12	102.796	Horizontal	Pass
		1732.5	-4.21	3.27	27.61	20.13	102.953	Horizontal	Pass
		1754.3	-4.33	3.29	27.63	20.01	100.335	Horizontal	Pass
3.0MHz Band 16 QAM	1/Mid	1711.5	-5.13	3.13	27.61	19.35	86.180	Horizontal	Pass
		1732.5	-4.99	3.27	27.61	19.35	86.145	Horizontal	Pass
		1753.5	-4.90	3.3	27.62	19.42	87.404	Horizontal	Pass
5.0MHz Band 16 QAM	1/Mid	1712.5	-5.27	3.13	27.63	19.23	83.794	Horizontal	Pass
		1732.5	-5.14	3.27	27.61	19.20	83.113	Horizontal	Pass
		1752.5	-4.15	3.3	27.6	20.15	103.481	Horizontal	Pass
10.0MHz Band 16 QAM	1/Mid	1715	-4.50	3.15	27.64	19.99	99.784	Horizontal	Pass
		1732.5	-4.20	3.31	27.61	20.10	102.276	Horizontal	Pass
		1750	-4.41	3.33	27.59	19.85	96.559	Horizontal	Pass
15.0MHz Band 16 QAM	1/Mid	1717.5	-4.34	3.15	27.65	20.16	103.654	Horizontal	Pass
		1732.5	-4.17	3.31	27.61	20.13	103.002	Horizontal	Pass
		1747.5	-4.07	3.33	27.57	20.17	103.890	Horizontal	Pass
20.0MHz Band 16 QAM	1/Mid	1720	-4.59	3.17	27.66	19.90	97.823	Horizontal	Pass
		1732.5	-4.37	3.32	27.61	19.92	98.145	Horizontal	Pass
		1745	-4.20	3.36	27.56	20.00	100.064	Horizontal	Pass
1.4MHz Band 16 QAM	1/Mid	1710.7	-4.39	3.12	27.58	20.07	101.734	Vertical	Pass
		1732.5	-4.26	3.27	27.61	20.08	101.777	Vertical	Pass
		1754.3	-4.27	3.29	27.63	20.07	101.593	Vertical	Pass
3.0MHz Band 16 QAM	1/Mid	1711.5	-4.98	3.13	27.61	19.50	89.045	Vertical	Pass
		1732.5	-4.93	3.27	27.61	19.41	87.331	Vertical	Pass
		1753.5	-4.86	3.3	27.62	19.46	88.345	Vertical	Pass
5.0MHz Band 16 QAM	1/Mid	1712.5	-5.19	3.13	27.63	19.31	85.335	Vertical	Pass
		1732.5	-4.97	3.27	27.61	19.37	86.575	Vertical	Pass
		1752.5	-5.09	3.3	27.6	19.21	83.447	Vertical	Pass
10.0MHz Band 16 QAM	1/Mid	1715	-4.38	3.15	27.64	20.11	102.513	Vertical	Pass
		1732.5	-4.17	3.31	27.61	20.13	102.983	Vertical	Pass
		1750	-4.36	3.33	27.59	19.90	97.661	Vertical	Pass
15.0MHz Band	1/Mid	1717.5	-4.53	3.15	27.65	19.97	99.308	Vertical	Pass
		1732.5	-4.38	3.31	27.61	19.92	98.214	Vertical	Pass

16 QAM		1747.5	-4.39	3.33	27.57	19.85	96.636	Vertical	Pass
20.0MH	1/Mid	1720	-4.45	3.17	27.66	20.04	101.034	Vertical	Pass
z Band		1732.5	-4.29	3.32	27.61	20.00	100.039	Vertical	Pass
16 QAM		1745	-3.99	3.36	27.56	20.21	105.033	Vertical	Pass

Note:

SG Level= Signal generator output

Max. EIRP Average (dBm)= Antenna Gain(dB)+ SG Level (dBm)- Cable Loss(dBm)

8.4 LTE BAND 5

Radiated Power (ERP) for Band 5											
Mode	RB/RB SIZE	Frequency	Result							Polarization Of Max. ERP	Conclusion
			SG Level	Cable Loss (dBm)	Antenna Gain (dB)	Correction (dB)	Max. ERP	Max. ERP			
			(dBm)				Average	Average			
							(dBm)	(mW)			
1.4MHz Band QPSK	1/Mid	824.7	4.59	2.01	19.68	2.15	20.11	102.669	Horizontal	Pass	
		836.5	4.64	2.01	19.77	2.15	20.25	106.044	Horizontal	Pass	
		848.3	4.57	2.02	19.82	2.15	20.22	105.089	Horizontal	Pass	
3.0MHz Band QPSK	1/Mid	825.5	4.71	2.01	19.7	2.15	20.25	105.990	Horizontal	Pass	
		836.5	4.63	2.01	19.77	2.15	20.24	105.621	Horizontal	Pass	
		847.5	4.56	2.02	19.81	2.15	20.20	104.754	Horizontal	Pass	
5.0MHz Band QPSK	1/Mid	826.5	4.46	2.01	19.71	2.15	20.01	100.302	Horizontal	Pass	
		836.5	4.43	2.01	19.77	2.15	20.04	101.012	Horizontal	Pass	
		846.5	4.40	2.02	19.79	2.15	20.02	100.454	Horizontal	Pass	
10.0MHz Band QPSK	1/Mid	829	4.46	2.01	19.73	2.15	20.03	100.749	Horizontal	Pass	
		836.5	4.43	2.01	19.77	2.15	20.04	100.836	Horizontal	Pass	
		844	4.45	2.02	19.78	2.15	20.06	101.380	Horizontal	Pass	
1.4MHz Band QPSK	1/Mid	824.7	4.73	2.01	19.68	2.15	20.25	105.999	Vertical	Pass	
		836.5	4.63	2.01	19.77	2.15	20.24	105.727	Vertical	Pass	
		848.3	4.55	2.02	19.82	2.15	20.20	104.798	Vertical	Pass	
3.0MHz Band QPSK	1/Mid	825.5	4.69	2.01	19.7	2.15	20.23	105.399	Vertical	Pass	
		836.5	4.50	2.01	19.77	2.15	20.11	102.630	Vertical	Pass	
		847.5	4.53	2.02	19.81	2.15	20.17	103.900	Vertical	Pass	
5.0MHz Band QPSK	1/Mid	826.5	4.44	2.01	19.71	2.15	19.99	99.676	Vertical	Pass	
		836.5	4.33	2.01	19.77	2.15	19.94	98.672	Vertical	Pass	
		846.5	4.52	2.02	19.79	2.15	20.14	103.196	Vertical	Pass	
10.0MHz Band QPSK	1/Mid	829	4.61	2.01	19.73	2.15	20.18	104.193	Vertical	Pass	
		836.5	4.50	2.01	19.77	2.15	20.11	102.504	Vertical	Pass	
		844	4.79	2.02	19.78	2.15	20.40	109.706	Vertical	Pass	

Note:

SG Level= Signal generator output

Max. EIRP Average (dBm)= Antenna Gain(dB)+ SG Level (dBm)- Cable Loss(dBm)

Radiated Power (ERP) for Band 5											
Mode	RB/RB SIZE	Frequency	Result							Polarization Of Max. ERP	Conclusion
			SG Level	Cable Loss (dBm)	Antenna Gain (dB)	Correction (dB)	Max. ERP	Max. ERP			
			(dBm)				Average (dBm)	Average (mW)			
1.4MHz Band 16 QAM	1/Mid	824.7	4.47	2.01	19.68	2.15	19.99	99.811	Horizontal	Pass	
		836.5	4.55	2.01	19.77	2.15	20.16	103.684	Horizontal	Pass	
		848.3	4.53	2.02	19.82	2.15	20.18	104.182	Horizontal	Pass	
3.0MHz Band 16 QAM	1/Mid	825.5	4.79	2.01	19.7	2.15	20.33	107.787	Horizontal	Pass	
		836.5	4.61	2.01	19.77	2.15	20.22	105.233	Horizontal	Pass	
		847.5	4.51	2.02	19.81	2.15	20.15	103.478	Horizontal	Pass	
5.0MHz Band 16 QAM	1/Mid	826.5	4.60	2.01	19.71	2.15	20.15	103.501	Horizontal	Pass	
		836.5	4.64	2.01	19.77	2.15	20.25	105.858	Horizontal	Pass	
		846.5	4.54	2.02	19.79	2.15	20.16	103.650	Horizontal	Pass	
10.0MHz Band 16 QAM	1/Mid	829	4.77	2.01	19.73	2.15	20.34	108.164	Horizontal	Pass	
		836.5	4.65	2.01	19.77	2.15	20.26	106.255	Horizontal	Pass	
		844	4.68	2.02	19.78	2.15	20.29	106.828	Horizontal	Pass	
1.4MHz Band 16 QAM	1/Mid	824.7	4.61	2.01	19.68	2.15	20.13	103.091	Vertical	Pass	
		836.5	4.50	2.01	19.77	2.15	20.11	102.681	Vertical	Pass	
		848.3	4.55	2.02	19.82	2.15	20.20	104.712	Vertical	Pass	
3.0MHz Band 16 QAM	1/Mid	825.5	4.63	2.01	19.7	2.15	20.17	104.112	Vertical	Pass	
		836.5	4.62	2.01	19.77	2.15	20.23	105.351	Vertical	Pass	
		847.5	4.42	2.02	19.81	2.15	20.06	101.431	Vertical	Pass	
5.0MHz Band 16 QAM	1/Mid	826.5	4.69	2.01	19.71	2.15	20.24	105.621	Vertical	Pass	
		836.5	4.64	2.01	19.77	2.15	20.25	105.961	Vertical	Pass	
		846.5	4.57	2.02	19.79	2.15	20.19	104.550	Vertical	Pass	
10.0MHz Band 16 QAM	1/Mid	829	4.81	2.01	19.73	2.15	20.38	109.028	Vertical	Pass	
		836.5	4.76	2.01	19.77	2.15	20.37	108.806	Vertical	Pass	
		844	4.69	2.02	19.78	2.15	20.30	107.100	Vertical	Pass	

Note:

SG Level= Signal generator output

Max. EIRP Average (dBm)= Antenna Gain(dB)+ SG Level (dBm)- Cable Loss(dBm)

8.5 LTE BAND 7

Radiated Power (EIRP) for Band 7									
Mode	RB/RB SIZE	Frequency	Result						Conclusion
			SG Level	Cable Loss	Antenna Gain	Max. EIRP	Max. EIRP	Polarization Of Max. ERP	
			(dBm)			Average	Average		
				(dBm)	(dBm)	(mW)			
5.0MHz Band QPSK	1/Mid	2502.5	-2.71	4.54	27.75	20.5	112.202	Horizontal	Pass
		2535	-2.59	4.69	27.72	20.44	110.662	Horizontal	Pass
		2567.5	-2.68	4.71	27.71	20.32	107.647	Horizontal	Pass
5.0MHz Band 16 QAM	1/Mid	2502.5	-3.85	4.54	27.75	19.36	86.298	Horizontal	Pass
		2535	-3.66	4.69	27.72	19.37	86.497	Horizontal	Pass
		2567.5	-3.62	4.71	27.71	19.38	86.696	Horizontal	Pass
10.0MHz Band QPSK	1/Mid	2505	-2.70	4.55	27.76	20.51	112.460	Horizontal	Pass
		2535	-2.39	4.69	27.72	20.64	115.878	Horizontal	Pass
		2565	-2.52	4.72	27.7	20.46	111.173	Horizontal	Pass
10.0MHz Band 16 QAM	1/Mid	2505	-3.63	4.55	27.76	19.58	90.782	Horizontal	Pass
		2535	-3.41	4.69	27.72	19.62	91.622	Horizontal	Pass
		2565	-3.50	4.72	27.7	19.48	88.716	Horizontal	Pass
15.0MHz Band QPSK	1/Mid	2507.5	-2.53	4.55	27.77	20.24	105.682	Horizontal	Pass
		2535	-2.42	4.69	27.72	20.61	115.080	Horizontal	Pass
		2562.5	-2.60	4.72	27.69	20.37	108.893	Horizontal	Pass
15.0MHz Band 16 QAM	1/Mid	2507.5	-3.74	4.55	27.77	19.48	88.716	Horizontal	Pass
		2535	-3.61	4.69	27.72	19.42	87.498	Horizontal	Pass
		2562.5	-3.64	4.72	27.69	19.33	85.704	Horizontal	Pass
20.0MHz Band QPSK	1/Mid	2510	-2.97	4.57	27.78	20.69	117.220	Horizontal	Pass
		2535	-2.86	4.73	27.72	20.13	103.039	Horizontal	Pass
		2560	-2.64	4.75	27.68	20.29	106.905	Horizontal	Pass
20.0MHz Band 16 QAM	1/Mid	2510	-2.47	4.57	27.78	20.74	118.577	Horizontal	Pass
		2535	-3.68	4.73	27.72	19.31	85.310	Horizontal	Pass
		2560	-3.80	4.75	27.68	19.13	81.846	Horizontal	Pass

Note:

SG Level= Signal generator output

Max. EIRP Average (dBm)= Antenna Gain(dB)+ SG Level (dBm)- Cable Loss(dBm)

Radiated Power (EIRP) for Band 7										
Mode	RB/RB SIZE	Frequency	Result						Polarization Of Max. ERP	Conclusion
			SG Level (dBm)	Cable Loss (dBm)	Antenna Gain (dB)	Max. EIRP Average (dBm)	Max. EIRP Average (mW)			
5.0MHz Band QPSK	1/Mid	2502.5	-3.15	4.54	27.75	20.06	101.41	Vertical	Pass	
		2535	-2.82	4.69	27.72	20.21	105.04	Vertical	Pass	
		2567.5	-2.80	4.71	27.71	20.20	104.70	Vertical	Pass	
5.0MHz Band 16 QAM	1/Mid	2502.5	-4.03	4.54	27.75	19.18	82.72	Vertical	Pass	
		2535	-3.18	4.69	27.72	19.85	96.61	Vertical	Pass	
		2567.5	-3.84	4.71	27.71	19.16	82.44	Vertical	Pass	
10.0MHz z Band QPSK	1/Mid	2505	-2.98	4.55	27.76	20.23	105.42	Vertical	Pass	
		2535	-2.88	4.69	27.72	20.15	103.46	Vertical	Pass	
		2565	-2.97	4.72	27.70	20.01	100.20	Vertical	Pass	
10.0MHz z Band 16 QAM	1/Mid	2505	-4.21	4.55	27.76	19.00	79.37	Vertical	Pass	
		2535	-3.75	4.69	27.72	19.28	84.77	Vertical	Pass	
		2565	-3.97	4.72	27.70	19.01	79.62	Vertical	Pass	
15.0MHz z Band QPSK	1/Mid	2507.5	-3.33	4.55	27.77	19.89	97.41	Vertical	Pass	
		2535	-2.79	4.69	27.72	20.24	105.69	Vertical	Pass	
		2562.5	-3.34	4.72	27.69	19.63	91.82	Vertical	Pass	
15.0MHz z Band 16 QAM	1/Mid	2507.5	-3.90	4.55	27.77	19.32	85.46	Vertical	Pass	
		2535	-4.37	4.69	27.72	18.66	73.51	Vertical	Pass	
		2562.5	-3.57	4.72	27.69	19.40	87.12	Vertical	Pass	
20.0MHz z Band QPSK	1/Mid	2510	-3.28	4.57	27.78	19.93	98.50	Vertical	Pass	
		2535	-2.95	4.73	27.72	20.04	101.03	Vertical	Pass	
		2560	-2.74	4.75	27.68	20.19	104.47	Vertical	Pass	
20.0MHz z Band 16 QAM	1/Mid	2510	-3.46	4.57	27.78	19.75	94.41	Vertical	Pass	
		2535	-2.57	4.73	27.72	20.42	110.15	Vertical	Pass	
		2560	-2.90	4.75	27.68	20.03	100.69	Vertical	Pass	

Note:

SG Level= Signal generator output

Max. EIRP Average (dBm)= Antenna Gain(dB)+ SG Level (dBm)- Cable Loss(dBm)

8.6 LTE BAND 12

Radiated Power (ERP) for Band 12											
Mode	RB/RB SIZE	Frequency	Result							Polarization Of Max. ERP	Conclusion
			SG Level	Cable Loss (dBm)	Antenna Gain (dB)	Correction (dB)	Max. ERP	Max. ERP			
			(dBm)				Average	Average			
							(dBm)	(mW)			
1.4MHz Band QPSK	1/Mid	699.7	5.12	1.91	19.21	2.15	20.27	106.379	Vertical	Pass	
		707.5	5.08	1.91	19.26	2.15	20.28	106.774	Vertical	Pass	
		715.3	4.97	1.93	19.34	2.15	20.23	105.402	Vertical	Pass	
3.0MHz Band QPSK	1/Mid	700.5	4.87	1.91	19.21	2.15	20.02	100.545	Vertical	Pass	
		707.5	4.95	1.91	19.26	2.15	20.15	103.605	Vertical	Pass	
		714.5	4.98	1.93	19.34	2.15	20.24	105.770	Vertical	Pass	
5.0MHz Band QPSK	1/Mid	701.5	5.18	1.91	19.23	2.15	20.35	108.351	Vertical	Pass	
		707.5	5.14	1.91	19.26	2.15	20.34	108.026	Vertical	Pass	
		713.5	4.82	1.92	19.33	2.15	20.08	101.884	Vertical	Pass	
10.0MHz Band QPSK	1/Mid	704	4.98	1.91	19.25	2.15	20.17	104.007	Vertical	Pass	
		707.5	4.83	1.91	19.26	2.15	20.03	100.599	Vertical	Pass	
		711	5.03	1.92	19.32	2.15	20.28	106.740	Vertical	Pass	
1.4MHz Band QPSK	1/Mid	699.7	5.15	1.91	19.21	2.15	20.30	107.180	Horizontal	Pass	
		707.5	5.12	1.91	19.26	2.15	20.32	107.751	Horizontal	Pass	
		715.3	5.10	1.93	19.34	2.15	20.36	108.610	Horizontal	Pass	
3.0MHz Band QPSK	1/Mid	700.5	5.09	1.91	19.21	2.15	20.24	105.680	Horizontal	Pass	
		707.5	4.94	1.91	19.26	2.15	20.14	103.310	Horizontal	Pass	
		714.5	5.14	1.93	19.34	2.15	20.40	109.532	Horizontal	Pass	
5.0MHz Band QPSK	1/Mid	701.5	5.28	1.91	19.23	2.15	20.45	110.951	Horizontal	Pass	
		707.5	5.29	1.91	19.26	2.15	20.49	111.974	Horizontal	Pass	
		713.5	4.84	1.92	19.33	2.15	20.10	102.231	Horizontal	Pass	
10.0MHz Band QPSK	1/Mid	704	5.05	1.91	19.25	2.15	20.24	105.692	Horizontal	Pass	
		707.5	5.01	1.91	19.26	2.15	20.21	104.856	Horizontal	Pass	
		711	5.33	1.92	19.32	2.15	20.58	114.388	Horizontal	Pass	

Radiated Power (EIRP) for Band 12											
Mode	RB/RB SIZE	Frequency	Result							Polarization Of Max. ERP	Conclusion
			SG Level	Cable Loss (dBm)	Antenna Gain (dB)	Correction (dB)	Max. ERP	Max. ERP			
			(dBm)				Average (dBm)	Average (mW)			
1.4MHz Band 16 QAM	1/Mid	699.7	4.87	1.91	19.21	2.15	20.02	100.566	Vertical	Pass	
		707.5	4.68	1.91	19.26	2.15	19.88	97.309	Vertical	Pass	
		715.3	4.64	1.93	19.34	2.15	19.90	97.798	Vertical	Pass	
3.0MHz Band 16 QAM	1/Mid	700.5	5.15	1.91	19.21	2.15	20.30	107.199	Vertical	Pass	
		707.5	5.12	1.91	19.26	2.15	20.32	107.635	Vertical	Pass	
		714.5	5.13	1.93	19.34	2.15	20.39	109.434	Vertical	Pass	
5.0MHz Band 16 QAM	1/Mid	701.5	5.04	1.91	19.23	2.15	20.21	105.035	Vertical	Pass	
		707.5	5.23	1.91	19.26	2.15	20.43	110.423	Vertical	Pass	
		713.5	5.15	1.92	19.33	2.15	20.41	110.020	Vertical	Pass	
10.0MHz Band 16 QAM	1/Mid	704	5.36	1.91	19.25	2.15	20.55	113.412	Vertical	Pass	
		707.5	5.22	1.91	19.26	2.15	20.42	110.261	Vertical	Pass	
		711	5.27	1.92	19.32	2.15	20.52	112.737	Vertical	Pass	
1.4MHz Band 16 QAM	1/Mid	699.7	4.95	1.91	19.21	2.15	20.10	102.213	Horizontal	Pass	
		707.5	4.96	1.91	19.26	2.15	20.16	103.658	Horizontal	Pass	
		715.3	4.78	1.93	19.34	2.15	20.04	100.918	Horizontal	Pass	
3.0MHz Band 16 QAM	1/Mid	700.5	5.20	1.91	19.21	2.15	20.35	108.491	Horizontal	Pass	
		707.5	5.07	1.91	19.26	2.15	20.27	106.496	Horizontal	Pass	
		714.5	5.24	1.93	19.34	2.15	20.50	112.270	Horizontal	Pass	
5.0MHz Band 16 QAM	1/Mid	701.5	5.15	1.91	19.23	2.15	20.32	107.747	Horizontal	Pass	
		707.5	5.33	1.91	19.26	2.15	20.53	112.971	Horizontal	Pass	
		713.5	5.20	1.92	19.33	2.15	20.46	111.055	Horizontal	Pass	
10.0MHz Band 16 QAM	1/Mid	704	5.43	1.91	19.25	2.15	20.62	115.477	Horizontal	Pass	
		707.5	5.20	1.91	19.26	2.15	20.40	109.616	Horizontal	Pass	
		711	5.33	1.92	19.32	2.15	20.58	114.333	Horizontal	Pass	

Note:

SG Level= Signal generator output

Max. EIRP Average (dBm)= Antenna Gain(dB)+ SG Level (dBm)- Cable Loss(dBm)

8.7 LTE BAND 17

Radiated Power (ERP) for Band 17											
Mode	RB/RB SIZE	Frequency	Result							Polarization Of Max. ERP	Conclusion
			SG Level (dBm)	Cable Loss (dBm)	Antenna Gain (dB)	Correction (dB)	Max. ERP	Max. ERP			
							Average (dBm)	Average (mW)			
5.0MHz Band QPSK	1/Mid	706.5	5.27	1.91	19.23	2.15	20.44	110.557	Vertical	Pass	
		710	5.16	1.91	19.26	2.15	20.36	108.705	Vertical	Pass	
		713.5	5.18	1.92	19.33	2.15	20.44	110.585	Vertical	Pass	
10.0MHz Band QPSK	1/Mid	709	5.40	1.91	19.25	2.15	20.59	114.529	Vertical	Pass	
		710	5.44	1.91	19.26	2.15	20.64	115.776	Vertical	Pass	
		711	5.16	1.92	19.32	2.15	20.41	109.959	Vertical	Pass	
5.0MHz Band QPSK	1/Mid	706.5	5.38	1.91	19.23	2.15	20.55	113.486	Horizontal	Pass	
		710	5.22	1.91	19.26	2.15	20.42	110.087	Horizontal	Pass	
		713.5	5.23	1.92	19.33	2.15	20.49	111.823	Horizontal	Pass	
10.0MHz Band QPSK	1/Mid	709	5.36	1.91	19.25	2.15	20.55	113.484	Horizontal	Pass	
		710	5.47	1.91	19.26	2.15	20.67	116.606	Horizontal	Pass	
		711	5.11	1.92	19.32	2.15	20.36	108.568	Horizontal	Pass	

Radiated Power (ERP) for Band 17											
Mode	RB/RB SIZE	Frequency	Result							Polarization Of Max. ERP	Conclusion
			SG Level (dBm)	Cable Loss (dBm)	Antenna Gain (dB)	Correction (dB)	Max. ERP	Max. ERP			
							Average (dBm)	Average (mW)			
5.0MHz Band 16 QAM	1/Mid	706.5	5.17	1.91	19.23	2.15	20.34	108.080	Vertical	Pass	
		710	5.14	1.91	19.26	2.15	20.34	108.209	Vertical	Pass	
		713.5	5.08	1.92	19.33	2.15	20.34	108.029	Vertical	Pass	
10.0MHz Band 16 QAM	1/Mid	709	5.06	1.91	19.25	2.15	20.25	106.013	Vertical	Pass	
		710	4.96	1.91	19.26	2.15	20.16	103.724	Vertical	Pass	
		711	4.99	1.92	19.32	2.15	20.24	105.668	Vertical	Pass	
5.0MHz Band 16 QAM	1/Mid	706.5	5.07	1.91	19.23	2.15	20.24	105.616	Horizontal	Pass	
		710	5.14	1.91	19.26	2.15	20.34	108.187	Horizontal	Pass	
		713.5	5.09	1.92	19.33	2.15	20.35	108.348	Horizontal	Pass	
10.0MHz Band 16 QAM	1/Mid	709	5.04	1.91	19.25	2.15	20.23	105.477	Horizontal	Pass	
		710	5.25	1.91	19.26	2.15	20.45	110.987	Horizontal	Pass	
		711	4.92	1.92	19.32	2.15	20.17	104.040	Horizontal	Pass	

Note:

SG Level= Signal generator output

Max. EIRP Average (dBm)= Antenna Gain(dB)+ SG Level (dBm)- Cable Loss(dBm)

8.8 LTE BAND 19

Radiated Power (EIRP) for Band 19									
Mode	RB/RB SIZE	Frequency	Result						Conclusion
			SG Level (dBm)	Cable Loss (dBm)	Antenna Gain (dB)	Max. EIRP	Max. EIRP	Polarization Of Max. ERP	
						Average (dBm)	Average (mW)		
5.0MHz Band QPSK	1/Mid	832.5	-0.85	4.54	27.75	22.36	172.187	Horizontal	Pass
		837.5	-0.69	4.69	27.72	22.34	171.396	Horizontal	Pass
		842.5	-0.77	4.71	27.71	22.23	167.109	Horizontal	Pass
5.0MHz Band 16 QAM	1/Mid	832.5	-0.95	4.55	27.76	22.26	168.267	Horizontal	Pass
		837.5	-0.73	4.69	27.72	22.3	169.824	Horizontal	Pass
		842.5	-0.61	4.72	27.7	22.37	172.584	Horizontal	Pass
10.0MHz Band QPSK	1/Mid	835	-0.86	4.55	27.77	22.36	172.187	Horizontal	Pass
		837.5	-0.65	4.69	27.72	22.38	172.982	Horizontal	Pass
		840	-0.51	4.72	27.69	22.46	176.198	Horizontal	Pass
10.0MHz Band 16 QAM	1/Mid	835	-0.82	4.57	27.78	22.39	173.380	Horizontal	Pass
		837.5	-0.68	4.73	27.72	22.31	170.216	Horizontal	Pass
		840	-0.53	4.75	27.68	22.4	173.780	Horizontal	Pass
15.0MHz Band QPSK	1/Mid	837.5	-0.61	4.54	27.75	22.6	181.970	Horizontal	Pass
15.0MHz Band 16 QAM	1/Mid	837.5	-0.55	4.55	27.76	22.66	184.502	Horizontal	Pass

Note:

SG Level= Signal generator output

Max. EIRP Average (dBm)= Antenna Gain(dB)+ SG Level (dBm)- Cable Loss(dBm)

Radiated Power (EIRP) for Band 19									
Mode	RB/RB SIZE	Frequency	Result						Conclusion
			SG Level (dBm)	Cable Loss (dBm)	Antenna Gain (dB)	Max. EIRP	Max. EIRP	Polarization Of Max. ERP	
						Average (dBm)	Average (mW)		
5.0MHz Band QPSK	1/Mid	832.5	-1	4.54	27.75	22.21	166.341	Vertical	Pass
		837.5	-0.88	4.69	27.72	22.15	164.059	Vertical	Pass
		842.5	-0.75	4.71	27.71	22.25	167.880	Vertical	Pass
5.0MHz Band 16 QAM	1/Mid	832.5	-0.85	4.55	27.76	22.36	172.187	Vertical	Pass
		837.5	-0.77	4.69	27.72	22.26	168.267	Vertical	Pass
		842.5	-0.77	4.72	27.7	22.21	166.341	Vertical	Pass
10.0MHz z Band QPSK	1/Mid	835	-0.99	4.55	27.77	22.23	167.109	Vertical	Pass
		837.5	-0.72	4.69	27.72	22.31	170.216	Vertical	Pass
		840	-0.78	4.72	27.69	22.19	165.577	Vertical	Pass
10.0MHz z Band 16 QAM	1/Mid	835	-0.85	4.57	27.78	22.36	172.187	Vertical	Pass
		837.5	-0.78	4.73	27.72	22.21	166.341	Vertical	Pass
		840	-0.64	4.75	27.68	22.29	169.434	Vertical	Pass
15.0MHz z Band QPSK	1/Mid	837.5	-0.73	4.54	27.75	22.48	177.011	Vertical	Pass
15.0MHz z Band 16 QAM	1/Mid	837.5	-0.64	4.55	27.76	22.57	180.717	Vertical	Pass

Note:

SG Level= Signal generator output

Max. EIRP Average (dBm)= Antenna Gain(dB)+ SG Level (dBm)- Cable Loss(dBm)

9. SPURIOUS RADIATION EMISSION

RULE PART(S)

FCC: §2.1053, §22.917, §24.238 and §27.53

LIMIT

§22.917 (e) and §24.238 (a): Out of band emissions. The power of any emission outside of the authorized operating frequency ranges must be attenuated below the transmitting power (P) by a factor of at least $43 + 10 \log (P)$ dB.

§27.53 (g) For operations in the 698–746 MHz band, the power of any emission outside a licensee's frequency band(s) of operation shall be attenuated below the transmitter power (P) within the licensed band(s) of operation, measured in watts, by at least $43 + 10 \log (P)$ dB.

§27.53 (h) For operations in the 1710–1755 MHz and 2110–2155 MHz bands, the power of any emission outside a licensee's frequency block shall be attenuated below the transmitter power (P) by at least $43 + 10 \log_{10}(P)$ dB.

TEST PROCEDURE

For Cellular equipment - Compliance with these rules is based on the use of measurement instrumentation employing a resolution bandwidth of 100 kHz or greater. In the 1 MHz bands immediately outside and adjacent to the frequency block a resolution bandwidth of at least one percent of the emission bandwidth of the fundamental emission of the transmitter may be employed. A narrower resolution bandwidth is permitted in all cases to improve measurement accuracy provided the measured power is integrated over the full required measurement bandwidth (i.e. 100 kHz or 1 percent of emission bandwidth, as specified). The emission bandwidth is defined as the width of the signal between two points, one below the carrier center frequency and one above the carrier center frequency, outside of which all emissions are attenuated at least 26 dB below the transmitter power.

For PCS equipment - Compliance with these rules is based on the use of measurement instrumentation employing a resolution bandwidth of 1 MHz or greater. However, in the 1 MHz bands immediately outside and adjacent to the frequency block a resolution bandwidth of at least one percent of the emission bandwidth of the fundamental emission of the transmitter may be employed. A narrower resolution bandwidth is permitted in all cases to improve measurement accuracy provided the measured power is integrated over the full required measurement bandwidth (i.e. 1 MHz or 1 percent of emission bandwidth, as specified). The emission bandwidth is defined as the width of the signal between two points, one below the carrier center frequency and one above the carrier center frequency, outside of which all emissions are attenuated at least 26 dB below the transmitter power.

The unwanted emission power shall be measured with a resolution bandwidth of at least 1% of the occupied bandwidth in the 1 MHz band immediately outside and adjacent to the channel edge of the equipment. Beyond the 1 MHz band immediately outside the channel edge of the equipment, a resolution bandwidth of 1 MHz shall be employed. A narrower resolution bandwidth is allowed to be used provided that the measured power is integrated over the full required measurement bandwidth of 1 MHz or 1% of the occupied bandwidth as applicable.

The power of any unwanted emissions measured from the channel edge of the equipment shall be attenuated below the transmitter power, P (dBW), as follows:

- a. for base station and subscriber equipment, other than mobile subscriber equipment, the attenuation shall not be less than $43 + 10 \text{ Log}_{10}(p)$, dB; and
- b. for mobile subscriber equipment, the attenuation shall not be less than $43 + 10 \text{ Log}_{10}(p)$, dB at the channel edges and $55 + 10 \text{ Log}_{10}(p)$ at 5.5 MHz away and beyond the channel edges where p in (a) and (b) is the transmitter power measured in watts.

MODES TESTED

- LTE Band 2
- LTE Band 4
- LTE Band 5
- LTE Band 7
- LTE Band 12
- LTE Band 17
- LTE Band 19

RESULTS

PASS

9.1 LTE BAND 2

QPSK EIRP POWER FOR LTE BAND 2 (1.4MHZ BANDWIDTH)

Test Results for Low Channel 1850.7MHz							
Frequency(MHz)	SG Level(dBm)	Cable Loss(dB)	Antenna Gain(dB)	Absolute Level(dBm)	Limit (dBm)	Margin(dBm)	Polarity
3701.4	-58.32	4.04	33.51	-28.85	-13	-15.85	Horizontal
3701.4	-59.05	4.04	33.51	-29.58	-13	-16.58	Vertical
5552.1	-56.69	5.24	35.84	-26.09	-13	-13.09	Vertical
5552.1	-57.02	5.24	35.84	-26.42	-13	-13.42	Horizontal
Test Results for Mid Channel 1880MHz							
3760	-58.02	4.04	33.56	-28.50	-13	-15.50	Horizontal
3760	-56.32	4.04	33.56	-26.80	-13	-13.80	Vertical
5640	-57.45	5.24	35.91	-26.78	-13	-13.78	Vertical
5640	-56.69	5.24	35.91	-26.02	-13	-13.02	Horizontal
Test Results for High Channel 1909.3MHz							
3818.6	-58.15	4.04	34.00	-28.19	-13	-15.19	Horizontal
3818.6	-57.33	4.04	34.00	-27.37	-13	-14.37	Vertical
5727.9	-56.85	5.24	36.04	-26.05	-13	-13.05	Vertical
5727.9	-57.41	5.24	36.04	-26.61	-13	-13.61	Horizontal

Note:

SG Level= Signal generator output

Absolute Level (dBm)= Antenna Gain(dB)+ SG Level (dBm)- Cable Loss(dB)

We test both QPSK and 16QAM, recorded worst case QPSK.

QPSK EIRP POWER FOR LTE BAND 2 (20.0MHZ BANDWIDTH)

Test Results for Low Channel 1860MHz							
Frequency(MHz)	SG Level(dBm)	Cable Loss(dB)	Antenna Gain(dB)	Absolute Level(dBm)	Limit (dBm)	Margin(dBm)	Polarity
3720	-55.77	4.07	33.54	-26.30	-13	-13.30	Horizontal
3720	-55.66	4.07	33.54	-26.19	-13	-13.19	Vertical
5580	-57.36	5.28	35.86	-26.78	-13	-13.78	Vertical
5580	-58.41	5.28	35.86	-27.83	-13	-14.83	Horizontal
Test Results for Mid Channel 1880MHz							
3760	-56.69	4.04	33.56	-27.17	-13	-14.17	Horizontal
3760	-57.12	4.04	33.56	-27.60	-13	-14.60	Vertical
5640	-58.32	5.24	35.91	-27.65	-13	-14.65	Vertical
5640	-57.02	5.24	35.91	-26.35	-13	-13.35	Horizontal
Test Results for High Channel 1900MHz							
3800	-57.12	4.04	34.00	-27.16	-13	-14.16	Horizontal
3800	-56.69	4.04	34.00	-26.73	-13	-13.73	Vertical
5700	-57.12	5.24	36.04	-26.32	-13	-13.32	Vertical
5700	-58.33	5.24	36.04	-27.53	-13	-14.53	Horizontal

Note:

SG Level= Signal generator output

Absolute Level (dBm)= Antenna Gain(dB)+ SG Level (dBm)- Cable Loss(dB)

We test both QPSK and 16QAM, recorded worst case QPSK.

9.2 LTE BAND 4

QPSK EIRP POWER FOR LTE BAND 4 (1.4MHZ BANDWIDTH)

Test Results for Low Channel 1710.7MHz							
Frequency(MHz)	SG Level(dBm)	Cable Loss(dB)	Antenna Gain(dB)	Absolute Level(dBm)	Limit (dBm)	Margin(dBm)	Polarity
3421.4	-53.35	4.02	29.80	-27.57	-13	-14.57	Horizontal
3421.4	-54.02	4.02	29.80	-28.24	-13	-15.24	Vertical
5132.1	-57.12	5.24	35.84	-26.52	-13	-13.52	Vertical
5132.1	-58.44	5.24	35.84	-27.84	-13	-14.84	Horizontal
Test Results for Mid Channel 1732.5MHz							
3465	-53.30	4.03	30.00	-27.33	-13	-14.33	Horizontal
3465	-54.02	4.03	30.00	-28.05	-13	-15.05	Vertical
5197.5	-58.36	5.25	35.86	-27.75	-13	-14.75	Vertical
5197.5	-58.65	5.25	35.86	-28.04	-13	-15.04	Horizontal
Test Results for High Channel 1754.3MHz							
3508.6	-56.36	4.05	30.01	-30.40	-13	-17.40	Horizontal
3508.6	-58.12	4.05	30.01	-32.16	-13	-19.16	Vertical
5262.9	-57.65	5.26	35.86	-27.05	-13	-14.05	Vertical
5262.9	-57.88	5.26	35.86	-27.28	-13	-14.28	Horizontal

Note:

SG Level= Signal generator output

Absolute Level (dBm)= Antenna Gain(dB)+ SG Level (dBm)- Cable Loss(dB)

We test both QPSK and 16QAM, recorded worst case QPSK.

QPSK EIRP POWER FOR LTE BAND 4 (20.0MHZ BANDWIDTH)

Test Results for Low Channel 1720MHz							
Frequency(MHz)	SG Level(dBm)	Cable Loss(dB)	Antenna Gain(dB)	Absolute Level(dBm)	Limit (dBm)	Margin(dBm)	Polarity
3440	-56.02	4.02	29.80	-30.24	-13	-17.24	Horizontal
3440	-54.36	4.02	29.80	-28.58	-13	-15.58	Vertical
5160	-57.11	5.24	35.84	-26.51	-13	-13.51	Vertical
5160	-58.32	5.24	35.84	-27.72	-13	-14.72	Horizontal
Test Results for Mid Channel 1732.5MHz							
3465	-53.33	4.03	30.00	-27.36	-13	-14.36	Horizontal
3465	-54.55	4.03	30.00	-28.58	-13	-15.58	Vertical
5197.5	-56.66	5.25	35.86	-26.05	-13	-13.05	Vertical
5197.5	-57.15	5.25	35.86	-26.54	-13	-13.54	Horizontal
Test Results for High Channel 1745MHz							
3490	-53.33	2.91	27.68	-28.56	-13	-15.56	Horizontal
3490	-56.69	2.91	27.68	-31.92	-13	-18.92	Vertical
5235	-57.33	5.26	35.86	-26.73	-13	-13.73	Vertical
5235	-58.02	5.26	35.86	-27.42	-13	-14.42	Horizontal

Note:

SG Level= Signal generator output

Absolute Level (dBm)= Antenna Gain(dB)+ SG Level (dBm)- Cable Loss(dB)

We test both QPSK and 16QAM, recorded worst case QPSK.

9.3 LTE BAND 5

QPSK EIRP POWER FOR LTE BAND 5 (1.4MHZ BANDWIDTH)

Test Results for Low Channel 824.7MHz							
Frequency(MHz)	SG Level(dBm)	Cable Loss(dB)	Antenna Gain(dB)	Absolute Level(dBm)	Limit (dBm)	Margin(dBm)	Polarity
1649.4	-57.31	2.78	27.50	-32.59	-13	-19.59	Horizontal
1649.4	-51.85	2.78	27.50	-27.13	-13	-14.13	Vertical
2474.1	-54.81	2.90	27.80	-29.91	-13	-16.91	Vertical
2474.1	-55.97	2.90	27.80	-31.07	-13	-18.07	Horizontal
Test Results For Mid Channel 836.5MHz							
1673	-57.49	2.80	27.48	-32.81	-13	-19.81	Horizontal
1673	-55.59	2.80	27.48	-30.91	-13	-17.91	Vertical
2509.5	-58.15	2.91	27.70	-33.36	-13	-20.36	Vertical
2509.5	-54.63	2.91	27.70	-29.84	-13	-16.84	Horizontal
Test Results for High Channel 848.3MHz							
1696.6	-56.12	2.82	27.43	-31.51	-13	-18.51	Horizontal
1696.6	-55.53	2.82	27.43	-30.92	-13	-17.92	Vertical
2544.9	-51.72	2.92	27.74	-26.90	-13	-13.90	Vertical
2544.9	-57.81	2.92	27.74	-32.99	-13	-19.99	Horizontal

Note:

SG Level= Signal generator output

Absolute Level (dBm)= Antenna Gain(dB)+ SG Level (dBm)- Cable Loss(dB)

We test both QPSK and 16QAM, recorded worst case QPSK.

QPSK EIRP POWER FOR LTE BAND 5 (10MHZ BANDWIDTH)

Test Results for Low Channel 829MHz							
Frequency(MHz)	SG Level(dBm)	Cable Loss(dB)	Antenna Gain(dB)	Absolute Level(dBm)	Limit (dBm)	Margin(dBm)	Polarity
1658	-55.46	2.78	27.50	-30.74	-13	-17.74	Horizontal
1658	-58.01	2.78	27.50	-33.29	-13	-20.29	Vertical
2487	-58.51	2.90	27.80	-33.61	-13	-20.61	Vertical
2487	-51.49	2.90	27.80	-26.59	-13	-13.59	Horizontal
Test Results For Mid Channel 836.5MHz							
1673	-55.12	2.80	27.48	-30.44	-13	-17.44	Horizontal
1673	-57.92	2.80	27.48	-33.24	-13	-20.24	Vertical
2509.5	-58.74	2.91	27.70	-33.95	-13	-20.95	Vertical
2509.5	-58.13	2.91	27.70	-33.34	-13	-20.34	Horizontal
Test Results for High Channel 844MHz							
1688	-57.16	2.82	27.43	-32.55	-13	-19.55	Horizontal
1688	-57.96	2.82	27.43	-33.35	-13	-20.35	Vertical
2532	-56.77	2.92	27.74	-31.95	-13	-18.95	Vertical
2532	-58.48	2.92	27.74	-33.66	-13	-20.66	Horizontal

Note:

SG Level= Signal generator output

Absolute Level (dBm)= Antenna Gain(dB)+ SG Level (dBm)- Cable Loss(dB)

We test both QPSK and 16QAM, recorded worst case QPSK.

9.4 LTE BAND 7

QPSK EIRP POWER FOR LTE BAND 7 (5.0MHZ BANDWIDTH)

Test Results for Low Channel 2502.5MHz							
Frequency(MHz)	SG Level(dBm)	Cable Loss(dB)	Antenna Gain(dB)	Absolute Level(dBm)	Limit (dBm)	Margin(dBm)	Polarity
5005	-85.36	5.23	35.81	-54.78	-25.00	-29.78	Horizontal
5005	-84.65	5.23	35.81	-54.07	-25.00	-29.07	Vertical
7507.5	-83.66	5.67	36.85	-52.48	-25.00	-27.48	Vertical
7507.5	-83.25	5.67	36.85	-52.07	-25.00	-27.07	Horizontal
Test Results for Mid Channel 2535MHz							
5070	-82.05	5.23	35.82	-51.46	-25.00	-26.46	Horizontal
5070	-83.14	5.23	35.82	-52.55	-25.00	-27.55	Vertical
7605	-83.69	5.67	36.85	-52.51	-25.00	-27.51	Vertical
7605	-84.17	5.67	36.85	-52.99	-25.00	-27.99	Horizontal
Test Results for High Channel 2567.5MHz							
5135	-84.02	5.24	35.83	-53.43	-25.00	-28.43	Horizontal
5135	-81.58	5.24	35.83	-50.99	-25.00	-25.99	Vertical
7702.5	-82.41	5.68	36.87	-51.22	-25.00	-26.22	Vertical
7702.5	-82.75	5.68	36.87	-51.56	-25.00	-26.56	Horizontal

Note:

SG Level= Signal generator output

Absolute Level (dBm)= Antenna Gain(dB)+ SG Level (dBm)- Cable Loss(dB)

We test both QPSK and 16QAM, recorded worst case QPSK.

QPSK EIRP POWER FOR LTE BAND 7 (20.0MHZ BANDWIDTH)

Test Results for Low Channel 2510MHz							
Frequency(MHz)	SG Level(dBm)	Cable Loss(dB)	Antenna Gain(dB)	Absolute Level(dBm)	Limit (dBm)	Margin(dBm)	Polarity
5020	-83.02	5.23	35.82	-52.43	-25.00	-27.43	Horizontal
5020	-82.45	5.23	35.82	-51.86	-25.00	-26.86	Vertical
7530	-83.41	5.67	36.86	-52.22	-25.00	-27.22	Vertical
7530	-83.44	5.67	36.86	-52.25	-25.00	-27.25	Horizontal
Test Results for Mid Channel 2535MHz							
5070	-82.65	5.23	35.82	-52.06	-25.00	-27.06	Horizontal
5070	-81.98	5.23	35.82	-51.39	-25.00	-26.39	Vertical
7605	-81.78	5.67	36.85	-50.60	-25.00	-25.60	Vertical
7605	-83.32	5.67	36.85	-52.14	-25.00	-27.14	Horizontal
Test Results for High Channel 2560MHz							
5120	-82.74	5.24	35.83	-52.15	-25.00	-27.15	Horizontal
5120	-82.69	5.24	35.83	-52.10	-25.00	-27.10	Vertical
7680	-83.01	5.70	36.88	-51.83	-25.00	-26.83	Vertical
7680	-82.41	5.70	36.88	-51.23	-25.00	-26.23	Horizontal

Note:

SG Level= Signal generator output

Absolute Level (dBm)= Antenna Gain(dB)+ SG Level (dBm)- Cable Loss(dB)

We test both QPSK and 16QAM, recorded worst case QPSK.

9.5 LTE BAND 12

QPSK EIRP POWER FOR LTE BAND 12 (1.4MHZ BANDWIDTH)

Test Results for Low Channel 699.7MHz							
Frequency(MHz)	SG Level(dBm)	Cable Loss(dB)	Antenna Gain(dB)	Absolute Level(dBm)	Limit (dBm)	Margin(dBm)	Polarity
1399.4	-50.65	2.60	27.20	-26.05	-13	-13.05	Horizontal
1399.4	-52.02	2.60	27.20	-27.42	-13	-14.42	Vertical
2099.1	-51.36	2.85	27.54	-26.67	-13	-13.67	Vertical
2099.1	-51.40	2.85	27.54	-26.71	-13	-13.71	Horizontal
Test Results For Mid Channel 707.5MHz							
1415	-53.54	2.61	27.28	-28.87	-13	-15.87	Horizontal
1415	-51.14	2.61	27.28	-26.47	-13	-13.47	Vertical
2122.5	-52.33	2.87	27.59	-27.61	-13	-14.61	Vertical
2122.5	-53.76	2.87	27.59	-29.04	-13	-16.04	Horizontal
Test Results for High Channel 715.3MHz							
1430.6	-53.83	2.63	27.28	-29.18	-13	-16.18	Horizontal
1430.6	-58.25	2.63	27.28	-33.60	-13	-20.60	Vertical
2145.9	-55.04	2.88	27.60	-30.32	-13	-17.32	Vertical
2145.9	-52.44	2.88	27.60	-27.72	-13	-14.72	Horizontal

Note:

SG Level= Signal generator output

Absolute Level (dBm)= Antenna Gain(dB)+ SG Level (dBm)- Cable Loss(dB)

We test both QPSK and 16QAM, recorded worst case QPSK.

QPSK EIRP POWER FOR LTE BAND 12 (10MHZ BANDWIDTH)

Test Results for Low Channel 704MHz							
Frequency(MHz)	SG Level(dBm)	Cable Loss(dB)	Antenna Gain(dB)	Absolute Level(dBm)	Limit (dBm)	Margin(dBm)	Polarity
1408	-50.90	2.61	27.26	-26.25	-13	-13.25	Horizontal
1408	-54.06	2.61	27.26	-29.41	-13	-16.41	Vertical
2112	-52.96	2.87	27.58	-28.25	-13	-15.25	Vertical
2112	-53.77	2.87	27.58	-29.06	-13	-16.06	Horizontal
Test Results for Mid Channel 707.5MHz							
1415	-52.22	2.61	27.28	-27.55	-13	-14.55	Horizontal
1415	-56.16	2.61	27.28	-31.49	-13	-18.49	Vertical
2122.5	-54.72	2.87	27.59	-30.00	-13	-17.00	Vertical
2122.5	-54.22	2.87	27.59	-29.50	-13	-16.50	Horizontal
Test Results for High Channel 711MHz							
1422	-56.08	2.62	27.28	-31.42	-13	-18.42	Horizontal
1422	-51.26	2.62	27.28	-26.60	-13	-13.60	Vertical
2133	-54.36	2.87	27.60	-29.63	-13	-16.63	Vertical
2133	-53.97	2.87	27.60	-29.24	-13	-16.24	Horizontal

Note:

SG Level= Signal generator output

Absolute Level (dBm)= Antenna Gain(dB)+ SG Level (dBm)- Cable Loss(dB)

We test both QPSK and 16QAM, recorded worst case QPSK.

9.6 LTE BAND 17

QPSK EIRP POWER FOR LTE BAND 17 (5MHZ BANDWIDTH)

Test Results for Low Channel 706.5MHz							
Frequency(MHz)	SG Level(dBm)	Cable Loss(dB)	Antenna Gain(dB)	Absolute Level(dBm)	Limit (dBm)	Margin(dBm)	Polarity
1413	-52.11	2.61	27.28	-27.44	-13	-14.44	Horizontal
1413	-53.02	2.61	27.28	-28.35	-13	-15.35	Vertical
2119.5	-52.47	2.87	27.59	-27.75	-13	-14.75	Vertical
2119.5	-52.13	2.87	27.59	-27.41	-13	-14.41	Horizontal
Test Results For Mid Channel 710MHz							
1420	-51.58	2.62	27.30	-26.90	-13	-13.90	Horizontal
1420	-53.44	2.62	27.30	-28.76	-13	-15.76	Vertical
2130	-54.16	2.87	27.62	-29.41	-13	-16.41	Vertical
2130	-56.81	2.87	27.62	-32.06	-13	-19.06	Horizontal
Test Results for High Channel 713.5MHz							
1427	-53.74	2.66	27.28	-29.12	-13	-16.12	Horizontal
1427	-55.19	2.66	27.28	-30.57	-13	-17.57	Vertical
2140.5	-52.31	2.88	27.60	-27.59	-13	-14.59	Vertical
2140.5	-51.01	2.88	27.60	-26.29	-13	-13.29	Horizontal

Note:

SG Level= Signal generator output

Absolute Level (dBm)= Antenna Gain(dB)+ SG Level (dBm)- Cable Loss(dB)

We test both QPSK and 16QAM, recorded worst case QPSK.

QPSK EIRP POWER FOR LTE BAND 17 (10MHZ BANDWIDTH)

Test Results for Low Channel 709MHz							
Frequency(MHz)	SG Level(dBm)	Cable Loss(dB)	Antenna Gain(dB)	Absolute Level(dBm)	Limit (dBm)	Margin(dBm)	Polarity
1418	-54.64	2.62	27.30	-29.96	-13	-16.96	Horizontal
1418	-52.50	2.62	27.30	-27.82	-13	-14.82	Vertical
2127	-53.67	2.87	27.62	-28.92	-13	-15.92	Vertical
2127	-56.76	2.87	27.62	-32.01	-13	-19.01	Horizontal
Test Results for Mid Channel 710MHz							
1420	-54.20	2.62	27.30	-29.52	-13	-16.52	Horizontal
1420	-51.71	2.62	27.30	-27.03	-13	-14.03	Vertical
2130	-56.07	2.87	27.62	-31.32	-13	-18.32	Vertical
2130	-51.65	2.87	27.62	-26.90	-13	-13.90	Horizontal
Test Results for High Channel 711MHz							
1422	-52.69	2.62	27.30	-28.01	-13	-15.01	Horizontal
1422	-53.30	2.62	27.30	-28.62	-13	-15.62	Vertical
2133	-52.25	2.87	27.62	-27.50	-13	-14.50	Vertical
2133	-55.20	2.87	27.62	-30.45	-13	-17.45	Horizontal

Note:

SG Level= Signal generator output

Absolute Level (dBm)= Antenna Gain(dB)+ SG Level (dBm)- Cable Loss(dB)

We test both QPSK and 16QAM, recorded worst case QPSK.

9.7 LTE BAND 19

QPSK EIRP POWER FOR LTE BAND 19 (5MHZ BANDWIDTH)

Test Results for Low Channel 832.5MHz							
Frequency(MHz)	SG Level(dBm)	Cable Loss(dB)	Antenna Gain(dB)	Absolute Level(dBm)	Limit (dBm)	Margin(dBm)	Polarity
1665	-57.47	2.61	27.28	-32.8	-13	-19.8	Horizontal
1665	-60.08	2.61	27.28	-35.41	-13	-22.41	Vertical
2497.5	-63.98	2.87	27.59	-39.26	-13	-26.26	Vertical
2497.5	-55.03	2.87	27.59	-30.31	-13	-17.31	Horizontal
88.5	-70.44	1.42	15.39	-56.47	-13	-43.47	Vertical
247.5	-69.32	1.62	16.7	-54.24	-13	-41.24	Horizontal
Test Results For Mid Channel 837.5MHz							
1675	-53.94	2.62	27.3	-29.26	-13	-16.26	Horizontal
1675	-61.48	2.62	27.3	-36.8	-13	-23.8	Vertical
2512.5	-60.08	2.87	27.62	-35.33	-13	-22.33	Vertical
2512.5	-60.45	2.87	27.62	-35.7	-13	-22.7	Horizontal
97.3	-63.49	1.53	17.81	-47.21	-13	-34.21	Vertical
225.7	-46.65	1.61	16.11	-32.15	-13	-19.15	Horizontal
Test Results for High Channel 842.5MHz							
1685	-61.93	2.66	27.28	-37.31	-13	-24.31	Horizontal
1685	-54.46	2.66	27.28	-29.84	-13	-16.84	Vertical
2527.5	-59.03	2.88	27.6	-34.31	-13	-21.31	Vertical
2527.5	-62.19	2.88	27.6	-37.47	-13	-24.47	Horizontal
226.8	-66.2	1.45	17.08	-50.57	-13	-37.57	Vertical
101.7	-56.57	1.68	16.43	-41.82	-13	-28.82	Horizontal

Note:

SG Level= Signal generator output

Absolute Level (dBm)= Antenna Gain(dB)+ SG Level (dBm)- Cable Loss(dB)

We test both QPSK and 16QAM, recorded worst case QPSK.

QPSK EIRP POWER FOR LTE BAND 19 (10MHZ BANDWIDTH)

Test Results for Low Channel 832.5MHz							
Frequency(MHz)	SG Level(dBm)	Cable Loss(dB)	Antenna Gain(dB)	Absolute Level(dBm)	Limit (dBm)	Margin(dBm)	Polarity
1665	-53.48	2.62	27.3	-28.8	-13	-15.8	Horizontal
1665	-58.94	2.62	27.3	-34.26	-13	-21.26	Vertical
2497.5	-61.51	2.87	27.62	-36.76	-13	-23.76	Vertical
2497.5	-56.99	2.87	27.62	-32.24	-13	-19.24	Horizontal
178.4	-53.73	1.74	16.78	-38.69	-13	-25.69	Vertical
268.6	-59.68	1.53	15.77	-45.44	-13	-32.44	Horizontal
Test Results for Mid Channel 837.5MHz							
1675	-56.89	2.62	27.3	-32.21	-13	-19.21	Horizontal
1675	-55.39	2.62	27.3	-30.71	-13	-17.71	Vertical
2512.5	-63.38	2.87	27.62	-38.63	-13	-25.63	Vertical
2512.5	-59.01	2.87	27.62	-34.26	-13	-21.26	Horizontal
202.2	-63.69	1.53	16.81	-48.41	-13	-35.41	Vertical
245.7	-54.42	1.59	17.18	-38.83	-13	-25.83	Horizontal
Test Results for High Channel 842.5MHz							
1685	-57.51	2.62	27.3	-32.83	-13	-19.83	Horizontal
1685	-56.59	2.62	27.3	-31.91	-13	-18.91	Vertical
2527.5	-54.59	2.87	27.62	-29.84	-13	-16.84	Vertical
2527.5	-55.59	2.87	27.62	-30.84	-13	-17.84	Horizontal
270.4	-48.76	1.32	15.07	-35.01	-13	-22.01	Vertical
146	-60.15	1.69	16.03	-45.81	-13	-32.81	Horizontal

Note:

SG Level= Signal generator output

Absolute Level (dBm)= Antenna Gain(dB)+ SG Level (dBm)- Cable Loss(dB)

We test both QPSK and 16QAM, recorded worst case QPSK.

10. FREQUENCY STABILITY

RULE PART(S)

FCC: §2.1055, §22.355, §24.235, §27.54

LIMITS

§22.355 - The carrier frequency shall not depart from the reference frequency in excess of ± 2.5 ppm for mobile stations.

§24.235 - The frequency stability shall be sufficient to ensure that the fundamental emission stays within the authorized frequency block.

TEST PROCEDURE

Use CMW 500 with Frequency Error measurement capability.

Temp. = -30° to $+50^{\circ}$ C

Voltage = low voltage, DC 3.3V, Normal, DC 3.85V and High voltage, DC 4.4V.

Frequency Stability vs Temperature:

The EUT is placed inside a temperature chamber. The temperature is set to -30° C and allowed to stabilize. After sufficient soak time, the transmitting frequency error is measured. The temperature is increased by 10 degrees, allowed to stabilize and soak, and then the measurement is repeated. This is repeated until $+50^{\circ}$ C is reached.

Frequency Stability vs Voltage:

The peak frequency error is recorded (worst-case).

MODES TESTED

LTE Band 2

LTE Band 4

LTE Band 5

LTE Band 7

LTE Band 12

LTE Band 17

LTE Band 19

RESULTS

See the following pages.

10.1 LTE BAND 2

QPSK, (20MHz BANDWIDTH)

Frequency error vs. Voltage

Voltage [Vdc]	Frequency [MHz]	Frequency* Error[Hz]	Frequency Error[ppm]	Limit [ppm]
BAND 2 QPSK, (CH 18900 RB size 100 RB Offset 0 20MHz BANDWIDTH)				
3.4	1880	-18.2	-0.009681	2.5
3.85	1880	-18.3	-0.009734	2.5
4.4	1880	-17.8	-0.009468	2.5

Frequency error vs. Temperature

Temperature [° C]	Frequency [MHz]	Frequency* Error[Hz]	Frequency Error[ppm]	Limit [ppm]
BAND 2 QPSK, (CH 18900 RB size 100 RB Offset 0 20MHz BANDWIDTH)				
Normal (25C)	1880	-18.2	-0.009681	2.5
Extreme (50C)	1880	-16.1	-0.008564	2.5
Extreme (40C)	1880	-16.2	-0.008617	2.5
Extreme (30C)	1880	-18.3	-0.009734	2.5
Extreme (10C)	1880	-18.8	-0.010000	2.5
Extreme (0C)	1880	-18.7	-0.009947	2.5
Extreme (-10C)	1880	-20.4	-0.010851	2.5
Extreme (-20C)	1880	-19.6	-0.010426	2.5
Extreme (-30C)	1880	-20.3	-0.010798	2.5

16QAM, (20MHz BANDWIDTH)

Frequency error vs. Voltage

Voltage [Vdc]	Frequency [MHz]	Frequency* Error[Hz]	Frequency Error[ppm]	Limit [ppm]
BAND 2 16QAM, (CH 18900 RB size 100 RB Offset 0 20MHz BANDWIDTH)				
3.4	1880	-24.1	-0.012819	2.5
3.85	1880	-20.5	-0.010904	2.5
4.4	1880	-23.7	-0.012606	2.5

Frequency error vs. Temperature

Temperature [° C]	Frequency [MHz]	Frequency* Error[Hz]	Frequency Error[ppm]	Limit [ppm]
BAND 2 16QAM, (CH 18900 RB size 100 RB Offset 0 20MHz BANDWIDTH)				
Normal (25C)	1880	-24.4	-0.012979	2.5
Extreme (50C)	1880	-25.6	-0.013617	2.5
Extreme (40C)	1880	-25.2	-0.013404	2.5
Extreme (30C)	1880	-23.7	-0.012606	2.5
Extreme (10C)	1880	-24.3	-0.012926	2.5
Extreme (0C)	1880	-23.2	-0.012340	2.5
Extreme (-10C)	1880	-22.6	-0.012021	2.5
Extreme (-20C)	1880	-22.4	-0.011915	2.5
Extreme (-30C)	1880	-21.7	-0.011543	2.5

*Note: Frequency error measurements were made by using the build-in capability of the Wireless Communication Test Set.

10.2 LTE BAND 4

QPSK, (10MHz BANDWIDTH)

Frequency error vs. Voltage

Voltage [Vdc]	Frequency [MHz]	Frequency* Error[Hz]	Frequency Error[ppm]	Limit [ppm]
BAND 4 QPSK, (CH 20175 RB size 100 RB Offset 0 20MHz BANDWIDTH)				
3.4	1732.5	-16.8	-0.009697	2.5
3.85	1732.5	-16.8	-0.009697	2.5
4.4	1732.5	-16.9	-0.009755	2.5

Frequency error vs. Temperature

Temperature [°C]	Frequency [MHz]	Frequency* Error[Hz]	Frequency Error[ppm]	Limit [ppm]
BAND 4 QPSK, (CH 20175 RB size 100 RB Offset 0 20MHz BANDWIDTH)				
Normal (25C)	1732.5	-16.9	-0.009755	2.5
Extreme (50C)	1732.5	-18.6	-0.010736	2.5
Extreme (40C)	1732.5	-18.3	-0.010563	2.5
Extreme (30C)	1732.5	-18.3	-0.010563	2.5
Extreme (10C)	1732.5	-16.6	-0.009582	2.5
Extreme (0C)	1732.5	-15.8	-0.009120	2.5
Extreme (-10C)	1732.5	-16.1	-0.009293	2.5
Extreme (-20C)	1732.5	-20.3	-0.011717	2.5
Extreme (-30C)	1732.5	-18.7	-0.010794	2.5

16QAM, (20MHz BANDWIDTH)

Frequency error vs. Voltage

Voltage [Vdc]	Frequency [MHz]	Frequency* Error[Hz]	Frequency Error[ppm]	Limit [ppm]
BAND 4 16QAM, (CH 20175 RB size 100 RB Offset 0 20MHz BANDWIDTH)				
3.4	1732.5	-17.7	-0.010216	2.5
3.85	1732.5	-18.4	-0.010620	2.5
4.4	1732.5	-18.2	-0.010505	2.5

Frequency error vs. Temperature

Temperature [°C]	Frequency [MHz]	Frequency* Error[Hz]	Frequency Error[ppm]	Limit [ppm]
BAND 4 16QAM, (CH 20175 RB size 100 RB Offset 0 20MHz BANDWIDTH)				
Normal (25C)	1732.5	-18.3	-0.010563	2.5
Extreme (50C)	1732.5	-15.3	-0.008831	2.5
Extreme (40C)	1732.5	-15.8	-0.009120	2.5
Extreme (30C)	1732.5	-17.1	-0.009870	2.5
Extreme (10C)	1732.5	-17.7	-0.010216	2.5
Extreme (0C)	1732.5	-17.4	-0.010043	2.5
Extreme (-10C)	1732.5	-15.6	-0.009004	2.5
Extreme (-20C)	1732.5	-17.2	-0.009928	2.5
Extreme (-30C)	1732.5	-17.1	-0.009870	2.5

***Note:** Frequency error measurements were made by using the build-in capability of the Wireless Communication Test Set.

10.3 LTE BAND 5

QPSK, (10MHz BANDWIDTH)

Frequency error vs. Voltage

Voltage [Vdc]	Frequency [MHz]	Frequency* Error[Hz]	Frequency Error[ppm]	Limit [ppm]
BAND 5 QPSK, (CH 20525 RB size 50 RB Offset 0 10MHz BANDWIDTH)				
3.4	836.5	-14.4	-0.017215	2.5
3.85	836.5	-14	-0.016736	2.5
4.4	836.5	-14.6	-0.017454	2.5

Frequency error vs. Temperature

Temperature [° C]	Frequency [MHz]	Frequency* Error[Hz]	Frequency Error[ppm]	Limit [ppm]
BAND 5 QPSK, (CH 20525 RB size 50 RB Offset 0 10MHz BANDWIDTH)				
Normal (25C)	836.5	-14.1	-0.016856	2.5
Extreme (50C)	836.5	-15.1	-0.018051	2.5
Extreme (40C)	836.5	-14.6	-0.017454	2.5
Extreme (30C)	836.5	-14.4	-0.017215	2.5
Extreme (10C)	836.5	-14.3	-0.017095	2.5
Extreme (0C)	836.5	-13.2	-0.015780	2.5
Extreme (-10C)	836.5	-14.8	-0.017693	2.5
Extreme (-20C)	836.5	-17.6	-0.021040	2.5
Extreme (-30C)	836.5	-18.8	-0.022475	2.5

16QAM, (10MHz BANDWIDTH)

Frequency error vs. Voltage

Voltage [Vdc]	Frequency [MHz]	Frequency* Error[Hz]	Frequency Error[ppm]	Limit [ppm]
BAND 5 16QAM, (CH 20525 RB size 50 RB Offset 0 10MHz BANDWIDTH)				
3.4	836.5	-14.8	-0.017693	2.5
3.85	836.5	-15	-0.017932	2.5
4.4	836.5	-15.4	-0.018410	2.5

Frequency error vs. Temperature

Temperature [° C]	Frequency [MHz]	Frequency* Error[Hz]	Frequency Error[ppm]	Limit [ppm]
BAND 5 16QAM, (CH 20525 RB size 50 RB Offset 0 10MHz BANDWIDTH)				
Normal (25C)	836.5	-15.3	-0.018290	2.5
Extreme (50C)	836.5	-16.4	-0.019605	2.5
Extreme (40C)	836.5	-16.4	-0.019605	2.5
Extreme (30C)	836.5	-15.6	-0.018649	2.5
Extreme (10C)	836.5	-14.8	-0.017693	2.5
Extreme (0C)	836.5	-13.8	-0.016497	2.5
Extreme (-10C)	836.5	-15.6	-0.018649	2.5
Extreme (-20C)	836.5	-15.4	-0.018410	2.5
Extreme (-30C)	836.5	-14.3	-0.017095	2.5

***Note:** Frequency error measurements were made by using the build-in capability of the Wireless Communication Test Set.

10.4 LTE BAND 7

QPSK, (20MHz BANDWIDTH)

Frequency error vs. Voltage

Voltage [Vdc]	Frequency [MHz]	Frequency* Error[Hz]	Frequency Error[ppm]	Limit [ppm]
BAND 7 QPSK, (CH 21100 RB size 100 RB Offset 0 20MHz BANDWIDTH)				
3.4	2535	-27.1	-0.010690	2.5
3.85	2535	-27.5	-0.010848	2.5
4.4	2535	-27.9	-0.011006	2.5

Frequency error vs. Temperature

Temperature [° C]	Frequency [MHz]	Frequency* Error[Hz]	Frequency Error[ppm]	Limit [ppm]
BAND 7 QPSK, (CH 21100 RB size 100 RB Offset 0 20MHz BANDWIDTH)				
Normal (25C)	2535	-27.8	-0.010966	2.5
Extreme (50C)	2535	-30.6	-0.012071	2.5
Extreme (40C)	2535	-32.7	-0.012899	2.5
Extreme (30C)	2535	-27.7	-0.010927	2.5
Extreme (10C)	2535	-27.3	-0.010769	2.5
Extreme (0C)	2535	-26.4	-0.010414	2.5
Extreme (-10C)	2535	-29.6	-0.011677	2.5
Extreme (-20C)	2535	-28.1	-0.011085	2.5
Extreme (-30C)	2535	-31.2	-0.012308	2.5

16QAM, (20MHz BANDWIDTH)

Frequency error vs. Voltage

Voltage [Vdc]	Frequency [MHz]	Frequency* Error[Hz]	Frequency Error[ppm]	Limit [ppm]
BAND 7 16QAM, (CH 21100 RB size 100 RB Offset 0 20MHz BANDWIDTH)				
3.4	2535	-29	-0.011440	2.5
3.85	2535	-29.4	-0.011598	2.5
4.4	2535	-29.4	-0.011598	2.5

Frequency error vs. Temperature

Temperature [° C]	Frequency [MHz]	Frequency* Error[Hz]	Frequency Error[ppm]	Limit [ppm]
BAND 7 16QAM, (CH 21100 RB size 100 RB Offset 0 20MHz BANDWIDTH)				
Normal (25C)	2535	-28.7	-0.011321	2.5
Extreme (50C)	2535	-30.2	-0.011913	2.5
Extreme (40C)	2535	-31.7	-0.012505	2.5
Extreme (30C)	2535	-28.8	-0.011361	2.5
Extreme (10C)	2535	-28.9	-0.011400	2.5
Extreme (0C)	2535	-29.6	-0.011677	2.5
Extreme (-10C)	2535	-30.4	-0.011992	2.5
Extreme (-20C)	2535	-30	-0.011834	2.5
Extreme (-30C)	2535	-30.7	-0.012110	2.5

***Note:** Frequency error measurements were made by using the build-in capability of the Wireless Communication Test Set.

10.5 LTE BAND 12

QPSK, (10MHz BANDWIDTH)

Frequency error vs. Voltage

Voltage [Vdc]	Frequency [MHz]	Frequency* Error[Hz]	Frequency Error[ppm]	Limit [ppm]
BAND 12 QPSK, (CH 23095 RB size 50 RB Offset 0 10MHz BANDWIDTH)				
3.4	707.5	-4.4	-0.006219	2.5
3.85	707.5	-5	-0.007067	2.5
4.4	707.5	-4.6	-0.006502	2.5

Frequency error vs. Temperature

Temperature [° C]	Frequency [MHz]	Frequency* Error[Hz]	Frequency Error[ppm]	Limit [ppm]
BAND 12 QPSK, (CH 23095 RB size 50 RB Offset 0 10MHz BANDWIDTH)				
Normal (25C)	707.5	-4.8	-0.006784	2.5
Extreme (50C)	707.5	-5.6	-0.007915	2.5
Extreme (40C)	707.5	-5.1	-0.007208	2.5
Extreme (30C)	707.5	-5.9	-0.008339	2.5
Extreme (10C)	707.5	-5.3	-0.007491	2.5
Extreme (0C)	707.5	-2.7	-0.003816	2.5
Extreme (-10C)	707.5	-5.1	-0.007208	2.5
Extreme (-20C)	707.5	-4.7	-0.006643	2.5
Extreme (-30C)	707.5	-5.4	-0.007633	2.5

16QAM, (10MHz BANDWIDTH)

Frequency error vs. Voltage

Voltage [Vdc]	Frequency [MHz]	Frequency* Error[Hz]	Frequency Error[ppm]	Limit [ppm]
BAND 12 16QAM, (CH 23095 RB size 50 RB Offset 0 10MHz BANDWIDTH)				
3.4	707.5	-10.8	-0.015265	2.5
3.85	707.5	-10.2	-0.014417	2.5
4.4	707.5	-10.4	-0.014700	2.5

Frequency error vs. Temperature

Temperature [° C]	Frequency [MHz]	Frequency* Error[Hz]	Frequency Error[ppm]	Limit [ppm]
BAND 12 QPSK, (CH 23095 RB size 50 RB Offset 0 10MHz BANDWIDTH)				
Normal (25C)	707.5	-10.1	-0.014276	2.5
Extreme (50C)	707.5	-10.9	-0.015406	2.5
Extreme (40C)	707.5	-10.3	-0.014558	2.5
Extreme (30C)	707.5	-10.4	-0.014700	2.5
Extreme (10C)	707.5	-10.5	-0.014841	2.5
Extreme (0C)	707.5	-10	-0.014134	2.5
Extreme (-10C)	707.5	-11	-0.015548	2.5
Extreme (-20C)	707.5	-10.6	-0.014982	2.5
Extreme (-30C)	707.5	-10.1	-0.014276	2.5

***Note:** Frequency error measurements were made by using the build-in capability of the Wireless Communication Test Set.

10.6 LTE BAND 17

QPSK, (10MHz BANDWIDTH)

Frequency error vs. Voltage

Voltage [Vdc]	Frequency [MHz]	Frequency* Error[Hz]	Frequency Error[ppm]	Limit [ppm]
BAND 17 QPSK, (CH 23790 RB size 50 RB Offset 0 10MHz BANDWIDTH)				
3.4	710.0	-12.6	-0.017746	2.5
3.85	710.0	-12	-0.016901	2.5
4.4	710.0	-11.8	-0.016620	2.5

Frequency error vs. Temperature

Temperature [° C]	Frequency [MHz]	Frequency* Error[Hz]	Frequency Error[ppm]	Limit [ppm]
BAND 17 QPSK, (CH 23790 RB size 50 RB Offset 0 10MHz BANDWIDTH)				
Normal (25C)	710.0	-12.1	-0.017042	2.5
Extreme (50C)	710.0	-12.6	-0.017746	2.5
Extreme (40C)	710.0	-12.1	-0.017042	2.5
Extreme (30C)	710.0	-12.9	-0.018169	2.5
Extreme (10C)	710.0	-12.8	-0.018028	2.5
Extreme (0C)	710.0	-12.9	-0.018169	2.5
Extreme (-10C)	710.0	-12	-0.016901	2.5
Extreme (-20C)	710.0	-12.5	-0.017606	2.5
Extreme (-30C)	710.0	-12.4	-0.017465	2.5

16QAM, (10MHz BANDWIDTH)

Frequency error vs. Voltage

Voltage [Vdc]	Frequency [MHz]	Frequency* Error[Hz]	Frequency Error[ppm]	Limit [ppm]
BAND 17 16QAM, (CH 23790 RB size 50 RB Offset 0 10MHz BANDWIDTH)				
3.4	710.0	-13.9	-0.019577	2.5
3.85	710.0	-14.2	-0.020000	2.5
4.4	710.0	-13.7	-0.019296	2.5

Frequency error vs. Temperature

Temperature [° C]	Frequency [MHz]	Frequency* Error[Hz]	Frequency Error[ppm]	Limit [ppm]
BAND 17 16QAM, (CH 23790 RB size 50 RB Offset 0 10MHz BANDWIDTH)				
Normal (25C)	710.0	-13.7	-0.019296	2.5
Extreme (50C)	710.0	-14.8	-0.020845	2.5
Extreme (40C)	710.0	-14.3	-0.020141	2.5
Extreme (30C)	710.0	-13.8	-0.019437	2.5
Extreme (10C)	710.0	-13.9	-0.019577	2.5
Extreme (0C)	710.0	-14.3	-0.020141	2.5
Extreme (-10C)	710.0	-14.6	-0.020563	2.5
Extreme (-20C)	710.0	-14.1	-0.019859	2.5
Extreme (-30C)	710.0	-14.5	-0.020423	2.5

***Note:** Frequency error measurements were made by using the build-in capability of the Wireless Communication Test Set.

10.7 LTE BAND 19

QPSK, (10MHz BANDWIDTH)

Frequency error vs. Voltage

Voltage [Vdc]	Frequency [MHz]	Frequency* Error[Hz]	Frequency Error[ppm]	Limit [ppm]
BAND 19 QPSK, (CH 24075 RB size 50 RB Offset 0 10MHz BANDWIDTH)				
3.4	837.5	-3.65	-0.004358	2.5
3.85	837.5	-5.51	-0.006579	2.5
4.4	837.5	-2.68	-0.003200	2.5

Frequency error vs. Temperature

Temperature [° C]	Frequency [MHz]	Frequency* Error[Hz]	Frequency Error[ppm]	Limit [ppm]
BAND 17 QPSK, (CH 24075 RB size 50 RB Offset 0 10MHz BANDWIDTH)				
Normal (25C)	837.5	-4.06	-0.004848	2.5
Extreme (50C)	837.5	-3.32	-0.003964	2.5
Extreme (40C)	837.5	-3.6	-0.004299	2.5
Extreme (30C)	837.5	-5.51	-0.006579	2.5
Extreme (10C)	837.5	-3.26	-0.003893	2.5
Extreme (0C)	837.5	-3.22	-0.003845	2.5
Extreme (-10C)	837.5	-4.18	-0.004991	2.5
Extreme (-20C)	837.5	-5.36	-0.006400	2.5
Extreme (-30C)	837.5	-2.21	-0.002639	2.5

16QAM, (10MHz BANDWIDTH)

Frequency error vs. Voltage

Voltage [Vdc]	Frequency [MHz]	Frequency* Error[Hz]	Frequency Error[ppm]	Limit [ppm]
BAND 19 16QAM, (CH 24075 RB size 50 RB Offset 0 10MHz BANDWIDTH)				
3.4	837.5	-7.06	-0.008430	2.5
3.85	837.5	-5.53	-0.006603	2.5
4.4	837.5	-7.06	-0.008430	2.5

Frequency error vs. Temperature

Temperature [° C]	Frequency [MHz]	Frequency* Error[Hz]	Frequency Error[ppm]	Limit [ppm]
BAND 19 16QAM, (CH 24075 RB size 50 RB Offset 0 10MHz BANDWIDTH)				
Normal (25C)	837.5	-9.18	-0.010961	2.5
Extreme (50C)	837.5	-7.16	-0.008549	2.5
Extreme (40C)	837.5	-5.33	-0.006364	2.5
Extreme (30C)	837.5	-9.16	-0.010937	2.5
Extreme (10C)	837.5	-7.33	-0.008752	2.5
Extreme (0C)	837.5	-8.67	-0.010352	2.5
Extreme (-10C)	837.5	-9.06	-0.010818	2.5
Extreme (-20C)	837.5	-5.53	-0.006603	2.5
Extreme (-30C)	837.5	-5.18	-0.006185	2.5

***Note:** Frequency error measurements were made by using the build-in capability of the Wireless Communication Test Set.

11. Peak-to-Average Ratio

11.1 Description of the PAR Measurement

The peak-to-average ratio (PAR) of the transmission may not exceed 13 dB.

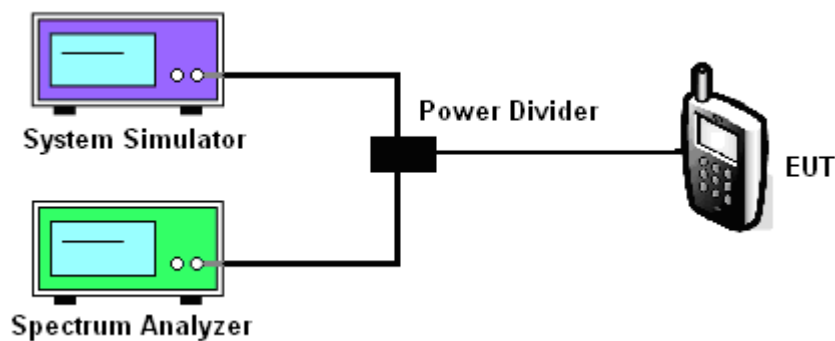
11.2 Measuring Instruments

See list of measuring instruments of this test report.

11.3 Test Procedures

1. The EUT was connected to Spectrum Analyzer and Base Station via power divider.
2. The RF output of EUT was connected to the spectrum analyzer by RF cable and attenuator. The path loss was compensated to the results for each measurement.
3. For GSM/EGPRS operating modes:
 - a. Set the RBW = 1MHz, VBW = 1MHz, Peak detector in spectrum analyzer.
 - b. Set EUT in maximum power output, and triggered the burst signal.
 - c. Measured respectively the Peak level and Mean level, and the deviation was recorded as Peak to Average Ratio.
4. For UMTS operating modes:
 - a. Set the CCDF (Complementary Cumulative Distribution Function) option in spectrum analyzer.
 - b. The highest RF powers were measured and recorded the maximum PAPR level associated with a probability of 0.1 %.

11.4 Test Setup



MODES TESTED

- LTE Band 2
- LTE Band 4
- LTE Band 5
- LTE Band 7
- LTE Band 12
- LTE Band 17
- LTE Band 19

Test data reference attachment.

----END OF REPORT----