

FCC CFR47 PART 27 CERTIFICATION TEST REPORT FCC ID: 2ANMU-RT7SPUT

Product: Tablet

Trade Mark: OUKITEL

Model Number: RT7 TITAN 5G

Family Model: RT7, RT7 S, RT7 Pro, RT7 Ultra, RT7 TITAN

Report No.: S23060602309007

Issue Date: Aug 01, 2023

Prepared for

SHENZHEN YUNJI INTELLIGENT TECHNOLOGY CO.,LTD
A2 2F BUILDING ENET NEW INDUSTRIAL PARK, DAFU INDUSTRIAL
ZONE, GUANLAN, LONGHUA, SHENZHEN CHINA

Prepared by

Shenzhen NTEK Testing Technology Co., Ltd.
1&5/F, Building C, 1&2/F, Building E, Fenda Science Park,
Sanwei Community, Hangcheng Street, Baoan District,
Shenzhen, Guangdong, China
Tel. 400-800-6106, 0755-2320 0050, 0755-2320 0090
Website: <http://www.ntek.org.cn>

TEST RESULT CERTIFICATION

Applicant's name: SHENZHEN YUNJI INTELLIGENT TECHNOLOGY CO.,LTD

Address: A2 2F BUILDING ENET NEW INDUSTRIAL PARK, DAFU INDUSTRIAL ZONE, GUANLAN, LONGHUA,SHENZHEN CHINA

Manufacturer's Name: SHENZHEN YUNJI INTELLIGENT TECHNOLOGY CO.,LTD

Address: A2 2F BUILDING ENET NEW INDUSTRIAL PARK, DAFU INDUSTRIAL ZONE, GUANLAN, LONGHUA,SHENZHEN CHINA

Product name: Tablet

Trade Mark: OUKITEL

Model and/or type reference .: RT7 TITAN 5G

Family Model: RT7, RT7 S, RT7 Pro, RT7 Ultra, RT7 TITAN

Test Sample number.....: S230606023011

Standards: FCC CFR 47 Part 27

Test procedure..... ANSI C63.46:2015
ANSI/TIA-603-E-2016

This device described above has been tested by NTEK, and the test results show that the equipment under test (EUT) is in compliance with the FCC requirements. And it is applicable only to the tested sample identified in the report.

This report shall not be reproduced except in full, without the written approval of NTEK, this document may be altered or revised by NTEK, personal only, and shall be noted in the revision of the document.

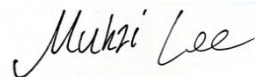
Date of Test.....

Date (s) of performance of tests Jun 06, 2023 ~ Aug 11, 2023

Date of Issue Aug 11, 2023

Test Result **Pass**

Testing Engineer : _____



(Mukzi Lee)

Authorized Signatory : _____



(Alex Li)

TABLE OF CONTENTS

1. GENERAL INFORMATION.....	5
1.1 PRODUCT DESCRIPTION	5
1.2 RELATED SUBMITTAL(S) / GRANT (S)	6
1.3 TEST METHODOLOGY.....	6
1.4 TEST FACILITY.....	6
1.5 MEASUREMENT UNCERTAINTY	6
1.6 SPECIAL ACCESSORIES.....	6
1.7 WORST-CASE CONFIGURATION AND MODE.....	6
1.8 SUMMARY OF TEST RESULTS	7
2. SYSTEM TEST CONFIGURATION	8
2.1 EUT CONFIGURATION.....	8
2.2 EUT EXERCISE	8
2.3 CONFIGURATION OF EUT SYSTEM.....	8
2.4 TEST SETUP	9
3.TEST AND MEASUREMENT EQUIPMENT	10
4. OUTPUT POWER.....	12
4.1 OUTPUT POWER MEASUREMENT	12
5. OCCUPIED BANDWIDTH	13
6. BANEDGE AND EMISSION MASK.....	14
7. OUT OF BAND EMISSIONS	15
8. RADIATED MEASUREMENT	17
8.1. RADIATED POWER (ERP & EIRP).....	17
8.3 NR BAND 78.....	18
9. SPURIOUS RADIATION EMISSION	20
9.2 NR BAND 78.....	22

10. FREQUENCY STABILITY26

10.2 NR BAND 78..... 27

11. PEAK-TO-AVERAGE RATIO.....29

11.1 Description of the PAR Measurement 29

11.2 Measuring Instruments 29

11.3 Test Procedures..... 29

11.4 Test Setup..... 29

11.5 MODES TESTED 29

1. GENERAL INFORMATION

1.1 PRODUCT DESCRIPTION

A major technical description of EUT is described as following:

Equipment	Tablet
Trade Mark	OUKITEL
Model Name	RT7 TITAN 5G
Family Model	RT7, RT7 S, RT7 Pro, RT7 Ultra, RT7 TITAN
Model Difference	All the model are the same circuit and RF module,except the model names.
FCC ID:	2ANMU-RT7SPUT
Frequency Bands:	U.S. Bands: <input checked="" type="checkbox"/> NR TDD Band 78
Frequency Range:	NR TDD Band 78 Uplink/Downlink: 3450 MHz - 3550 MHz
Type of Modulation:	DFT-s-OFDM:PI/2 BPSK/QPSK/16-QAM/64QAM/256QAM CP-OFDM: QPSK/16-QAM/64QAM/256QAM
Subcarrier spacing	<input checked="" type="checkbox"/> 15KHz, <input checked="" type="checkbox"/> 30KHz, <input type="checkbox"/> 60KHz
NR architecture	<input checked="" type="checkbox"/> SA, <input type="checkbox"/> NSA
Antenna:	FPC Antenna
Antenna gain:	Band 78: -4.5dBi,
Adapter	Model: HJ-PD33W-US Input: 100-240V~50/60Hz 0.8A Output: 5.0V---3.0A OR 9.0V---3.0A OR 12.0V---2.75A 33.0W MAX
Battery	DC 3.87V, 32000mAh, 123.84Wh
Power supply	DC 3.87V from battery or DC 5V from Adapter.
Extreme Vol. Limits:	DC 3.48V to DC 4.26V (Nominal DC 3.87V) (Note 1)
HW Version	TP758_MAIN_PCB_1.1
SW Version	OUKITEL_P07_EEA_V03
** Note1: The High Voltage 4.26V and Low Voltage 3.48V was declared by manufacturer, The EUT couldn't be operate normally with higher or lower voltage.	

1.2 RELATED SUBMITTAL(S) / GRANT (S)

This submittal(s) (test report) is intended for **FCC ID: 2ANMU-RT7SPUT** filing to comply with the FCC Part 27.

1.3 TEST METHODOLOGY

The tests documented in this report were performed in accordance with ANSI/TIA-603-E-2016, FCC CFR 47 Part 2, Part 27, ANSI C63.46:2015.

1.4 TEST FACILITY

The test site used to collect the radiated data is located at:

ShenZhen NTEK Testing Technology Co., Ltd.

1&5/F, Building C, 1&2/F, Building E, Fenda Science Park,

Sanwei Community, Hangcheng Street, Baoan District, Shenzhen ,Guangdong, China

The test site is constructed and calibrated to meet the FCC requirements in documents ANSI

C63.46:2015& ANSI C63.4: 2014.

FCC Registration No.:463705

IC Registration No.:9270A-1,

CNAS Registration No.:L5516

1.5 MEASUREMENT UNCERTAINTY

The reported uncertainty of measurement, where expanded uncertainty U is based on a standard uncertainty multiplied by a coverage factor of k=2, providing a level of confidence of approximately 95 %.

No.	Item	Uncertainty
1	Measuring Uncertainty for a Level of Confidence of 95% ($U = 2Uc(y)$)	2.5dB

1.6 SPECIAL ACCESSORIES

The battery and the charger, earphone supplied by the applicant were used as accessories and being tested with EUT intended for FCC grant together.

1.7 WORST-CASE CONFIGURATION AND MODE

The worst-case scenario for all measurements is based on the investigation results.

The device has NR Bands of: Band 78.

The RB Size was selected to measure for peak or average ERP and EIRP, which was based on the conducted power verification baseline data.

For the fundamental investigation of radiated emissions, the EUT is investigated for vertical and horizontal antenna orientations and X Y and Z orientations of the EUT alone. After the investigations the worst case was determined to be at X orientation for all LTE bands.

1.8 SUMMARY OF TEST RESULTS

FCC Part27, Subpart L, KDB 971168 D01 Power Meas License Digital Systems v03			
FCC Rule	Test Item	Verdict	Remark
2.1046	Conducted Output Power	PASS	
27.50(d)(5) KDB 971168 D01 Clause 5.7	Peak-to-Average Ratio	PASS	
2.1049 KDB 971168 D01 Clause 4.2	Occupied Bandwidth	PASS	
2.1051 27.53(c), (g), (h) KDB 971168 D01 Clause 6	Band Edge	PASS	
27.50(b)(10), (c)(10) KDB 971168 D01 Clause 5.6	Effective Radiated Power	PASS	
27.50(h)(2), (d)(4) KDB 971168 D01 Clause 5.6	Equivalent Isotropic Radiated Power	PASS	
2.1053 27.53(c)(g)(h)(m) KDB 971168 D01 Clause 7	Field Strength of Spurious Radiation	PASS	
2.1055 27.54 KDB 971168 D01 Clause 9	Frequency Stability for Temperature & Voltage	PASS	
2.1051 27.53(c)(g)(h)(m) KDB 971168 D01 Clause 6	Conducted Emission	PASS	
<p>Remark:</p> <ol style="list-style-type: none"> 1. "N/A" denotes test is not applicable in this Test Report. 2. All test items were verified and recorded according to the standards and without any deviation during the test. 3. No modifications are made to the EUT during all test items. 			

2. SYSTEM TEST CONFIGURATION

2.1 EUT CONFIGURATION

The EUT configuration for testing is installed on RF field strength measurement to meet the Commission's requirement and operating in a manner which intends to maximize its emission characteristics in a continuous normal application.

2.2 EUT EXERCISE

The Transmitter was operated in the maximum output power mode through Communication Tester. The TX frequency was fixed which was for the purpose of the measurements.

2.3 CONFIGURATION OF EUT SYSTEM

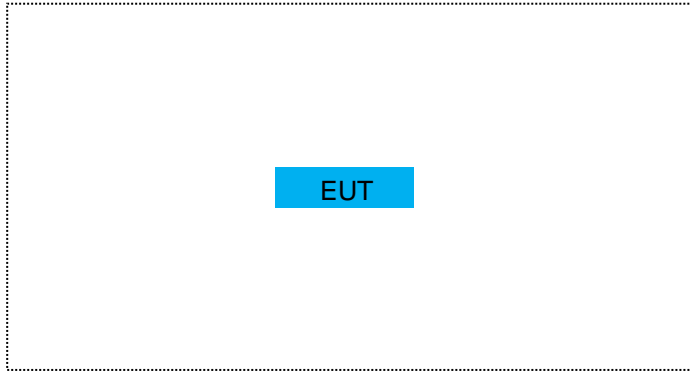
Table 2-1 Equipment Used in EUT System

Item	Equipment	Model No.	ID or Specification	Note
1	Tablet	RT7 TITAN 5G	FCC ID: 2ANMU-RT7SPUT	EUT

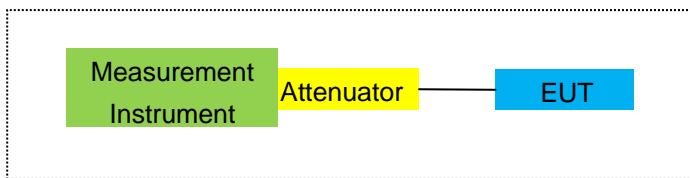
*Note: All the accessories have been used during the test.
the following "EUT" in setup diagram means EUT system.*

2.4 TEST SETUP

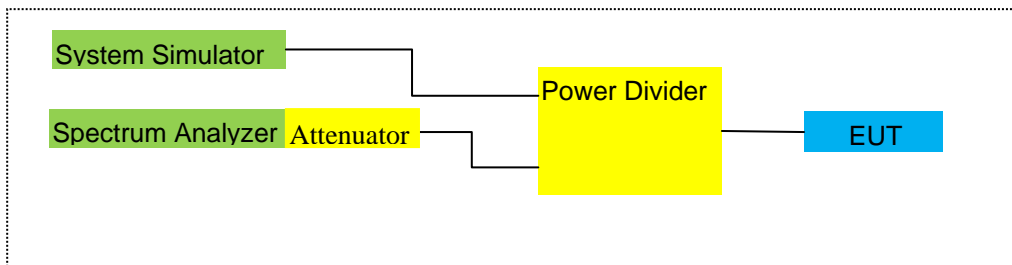
For Radiated Test Cases



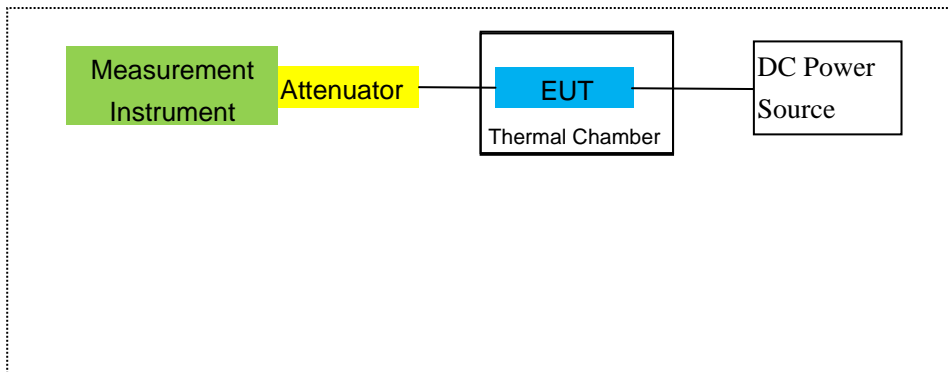
For Conducted Output Power



For Peak-to Average Ratio, Occupied Bandwidth, Conducted Band edge and Conducted Spurious Emission



For Frequency Stability



Note: EUT built-in battery-powered, the battery is fully-charged.

3. TEST AND MEASUREMENT EQUIPMENT

The following test and measurement equipment was utilized for the tests documented in this report:

Item	Kind of Equipment	Manufacturer	Type No.	Serial No.	Last calibration	Calibrated until	Calibration period
1	MXA Signal Analyzer	Agilent	N9020A	MY49100060	2023.05.29	2024.05.28	1 year
2	Test Receiver	R&S	ESPI	101318	2023.03.27	2024.03.26	1 year
3	Bilog Antenna	TESEQ	CBL6111D	31216	2023.03.16	2024.03.15	1 year
4	50Ω Coaxial Switch	Anritsu	MP59B	6200983705	2023.05.06	2026.05.05	3 year
5	Horn Antenna	EM	EM-AH-1018 0	2011071402	2022.03.31	2025.03.30	1 year
6	Horn Ant	Schwarzbeck	BBHA 9170	9170-181	2022.11.07	2023.11.06	1 year
7	Amplifier	EM	EM-30180	060538	2023.05.29	2024.05.28	1 year
8	Loop Antenna	ARA	PLA-1030/B	1029	2022.11.04	2023.11.05	1 year
9	Power Meter	R&S	NRVS	100696	2023.05.29	2024.05.28	1 year
10	Power Sensor	R&S	URV5-Z4	0395.1619.0 5	2023.05.29	2024.05.28	1 year
11	Test Cable	N/A	R-01	N/A	2022.06.17	2025.06.16	3 year
12	Test Cable	N/A	R-02	N/A	2022.06.17	2025.06.16	3 year
13	Test Cable	N/A	R-03	N/A	2022.06.17	2025.06.16	3 year
14	Test Receiver	R&S	ESCI	101160	2023.03.27	2024.03.26	1 year
15	LISN	R&S	ENV216	101313	2023.03.27	2024.03.26	1 year
16	LISN	EMCO	3816/2	00042990	2023.03.27	2024.03.26	1 year
17	50Ω Coaxial Switch	Anritsu	MP59B	6200264417	2023.03.27	2024.03.26	1 year
18	Passive Voltage Probe	R&S	ESH2-Z3	100196	2023.03.27	2024.03.26	1 year
19	Test Cable	N/A	C01	N/A	2023.05.06	2026.05.05	3 year
20	Test Cable	N/A	C02	N/A	2023.05.06	2026.05.05	3 year
21	Test Cable	N/A	C03	N/A	2023.05.06	2026.05.05	3 year
22	Attenuator	MCE	24-10-34	BN9258	2023.03.27	2024.03.26	1 year
23	Spectrum Analyzer	agilent	e4440a	us44300399	2023.03.27	2024.03.26	1 year
24	test receiver	R&S	ESCI	a0304218	2023.03.27	2024.03.26	1 year
25	Communication Tester	R&S	CMU200	A0304247	2023.05.29	2024.05.28	1 year
26	Thermal Chamber	Ten Billion	TTC-B3C	TBN-960502	2023.03.27	2024.03.26	1 year

27	DC Power Source	N/A	PS-6005D	2017040292 3	2023.05.06	2026.05.05	3 year
28	MXG Vector Signal Generator	Agilent	N5182A	MY47070317	2023.05.29	2024.05.28	1 year
29	Communication Tester	R&S	CMW500	148500	2023.05.29	2024.05.28	1 year
30	Radio Communication Analyzer	Anritsu	MT8821C	SN 6262186364	2022.11.08	2023.11.07	1 year
31	Radio Communication Test Station	Anritsu	MT8000A	SN 6262192315	2022.11.08	2023.11.07	1 year

Note: Each piece of equipment is scheduled for calibration once a year except the Test Cable& DC Power Source which is scheduled for calibration every 3 years.

4. OUTPUT POWER

4.1 OUTPUT POWER MEASUREMENT

NR Measurement Procedure:

All NR bands conducted power peak and average are obtained from the MT8821C telecommunication test set. The following tests were conducted according to the test requirements outlined in section 6.2 of the 3GPP TS 38.521-1 specification.

UE Power Class: 3 (23 +/- 2dBm). The allowed Maximum Power Reduction (MPR) for the maximum output power due to higher order modulation and transmit bandwidth configuration (resource blocks) is specified in Table Table 6.2.2.3-1: of the 3GPP TS 38.521-1 (V15.3.0) (07-2019).

Table 6.2.2.3-1: UE Power Class

EUTRA band	Class 1 (dBm)	Tolerance (dB)	Class 2 (dBm)	Tolerance (dB)	Class 3 (dBm)	Tolerance (dB)	Class 4 (dBm)	Tolerance (dB)
1					23	±2		
2					23	±2 ²		
3					23	±2 ²		
4					23	±2		
5					23	±2		
~					~	~		
40					23	±2		
41					23	±2 ²		
42					23	+2/-3		
43					23	+2/-3		
44					23	+2/[-3]		
45					23	±2		
47			26	±2	23	±2		

The allowed A-MPR values specified below in Table 6.2.4.-1 of 3GPP TS 38.521-1 are in addition to the allowed MPR requirements. All the measurements below were performed with A-MPR disabled, by using Network Signaling Value of "NS_01".3

Test data reference attachment.

5. OCCUPIED BANDWIDTH

RULE PART(S)

FCC: §2.1049

LIMITS

For reporting purposes only

TEST PROCEDURE

The transmitter output was connected to a calibrated coaxial cable and coupler, the other end of which was connected to a spectrum analyzer. The occupied bandwidth was measured with the spectrum analyzer at the low, middle and high channel in each band. The -26dB bandwidth was also measured and recorded.

MODES TESTED

NR Band 78

RESULTS

PASS

Test data reference attachment.

6. BANDEDGE AND EMISSION MASK

RULE PART(S)

FCC: §2.1051, §27.53(c)(g)(h)(m)

FCC: §2.1046,

LIMITS

The minimum permissible attenuation level of any spurious emission is $43 + \log_{10}(P[\text{Watts}])$, where P is the transmitter power in Watts.

The minimum permissible attenuation level for Band 7 is as following.

Per 27.53(g) for operations in the 698-746 MHz band, in the 100 kHz bands immediately outside and adjacent to the frequency block a resolution bandwidth of at least 30 kHz may be employed to demonstrate compliance with the out-of-band emissions limit.

Per 27.53(c.5) for operations in the 776-788 MHz band, in the 100 kHz bands immediately outside and adjacent to the frequency block a resolution bandwidth of at least 30 kHz may be employed to demonstrate compliance with the out-of-band emissions limit.

For all plots showing emissions in the 763 – 775MHz and 793 – 805MHz band, the FCC limit per 27.53(c.4) is $65 + 10\log_{10}(P) = -35\text{dBm}$ in a 6.25kHz bandwidth.

Per 27.53(m) for operations in the BRS/EBS bands, the attenuation factor shall be not less than $40 + 10 \log (P)$ dB on all frequencies between the channel edge and 5 megahertz from the channel edge, $43 + 10 \log (P)$ dB on all frequencies between 5 megahertz and X megahertz from the channel edge, and $55 + 10 \log (P)$ dB on all frequencies more than X megahertz from the channel edge, where X is the greater of 6 megahertz or the actual emission bandwidth.

TEST PROCEDURE

The transmitter output was connected to a CMW500Test Set and configured to operate at maximum power. The band edge emissions were measured at the required operating frequencies in each band on the Spectrum Analyzer.

For each band edge measurement:

Set the spectrum analyzer span to include the block edge frequency

Set a marker to point the corresponding band edge frequency in each test case.

Set display line

Set resolution bandwidth to at least 1% of emission bandwidth.

MODES TESTED

□

NR Band 78

RESULTS

Test data reference attachment.

Note: Both DFT-s-OFDM:PI/2 BPSK/QPSK/16-QAM/64QAM/256QAM

CP-OFDM: QPSK/16-QAM/64QAM/256QAM has been tested, the worst case is CP_QPSK mode, the report just reported the worst case.

7. OUT OF BAND EMISSIONS

RULE PART(S)

FCC: §2.1051, §27.53(c)(g)(h)(m)

LIMITS

The minimum permissible attenuation level of any spurious emission is $43 + \log_{10}(P[\text{Watts}])$, where P is the transmitter power in Watts.

The minimum permissible attenuation level for Band 7 is as following.

Per 27.53(g) for operations in the 698-746 MHz band, in the 100 kHz bands immediately outside and adjacent to the frequency block a resolution bandwidth of at least 30 kHz may be employed to demonstrate compliance with the out-of-band emissions limit.

Per 27.53(c.5) for operations in the 776-788 MHz band, in the 100 kHz bands immediately outside and adjacent to the frequency block a resolution bandwidth of at least 30 kHz may be employed to demonstrate compliance with the out-of-band emissions limit.

For all plots showing emissions in the 763 – 775MHz and 793 – 805MHz band, the FCC limit per 27.53(c.4) is $65 + 10\log_{10}(P) = -35\text{dBm}$ in a 6.25kHz bandwidth.

Per 27.53(m) for operations in the BRS/EBS bands, the attenuation factor shall be not less than $40 + 10 \log (P)$ dB on all frequencies between the channel edge and 5 megahertz from the channel edge, $43 + 10 \log (P)$ dB on all frequencies between 5 megahertz and X megahertz from the channel edge, and $55 + 10 \log (P)$ dB on all frequencies more than X megahertz from the channel edge, where X is the greater of 6 megahertz or the actual emission bandwidth.

TEST PROCEDURE

The RF output of the transmitter was connected to a spectrum analyzer through a calibrated coaxial cable. Sufficient scans were taken to show the out-of-band Emissions, if any, up to 10th harmonic. Multiple sweeps were recorded in maximum hold mode using a peak detector to ensure that the worst-case emissions were caught.

For each out of band emissions measurement:

- Set display line
- Set RBW & VBW to 100 kHz for the measurement below 1 GHz, and 1 MHz for the measurement above 1 GHz.

MODES TESTED

- NR Band 78

MEASUREMENT METHOD

The test set up and general procedure is similar to conducted peak output power test. Only different for setting the measurement configuration of the measuring instrument of Spectrum Analyzer.

Test data reference attachment.

Note: Both DFT-s-OFDM:PI/2 BPSK/QPSK/16-QAM/64QAM/256QAM

CP-OFDM: QPSK/16-QAM/64QAM/256QAM has been tested, the worst case is CP_QPSK mode, the report just reported the worst case.

8. RADIATED MEASUREMENT

8.1. RADIATED POWER (ERP & EIRP)

RULE PART(S)

FCC: §2.1046, §27.50 (h)(2), (b)(10), (c)(10), (d)(4)

LIMITS:

27.50 (c) (10) the following power and antenna height requirements apply to stations transmitting in the 698–746 MHz band, the portable stations (hand-held devices) are limited to 3 watts ERP.

27.50 (b)(10) Portable stations (hand-held devices) transmitting in the 746–757 MHz, 758–763 MHz, 776–793 MHz, and 805–806 MHz bands are limited to 3 watts ERP.

27.50 (d)(4) The following power and antenna height requirements apply to stations transmitting in the 1710–1755 MHz and 2110–2155 MHz bands: Fixed, mobile, and portable (hand-held) stations operating in the 1710–1755 MHz band are limited to 1 watt EIRP.

27.50 (h)(2) Mobile and other user stations in the 2500–2570 MHz and 2620–2690 MHz bands. Mobile stations are limited to 2.0 watts EIRP. All user stations are limited to 2.0 watts transmitter output power.

TEST PROCEDURE

ANSI/TIA-603-E Clause 2.2.17

KDB 971168 v02r01 RF power output using broadband peak and average power meter method.

KDB 971168 D01 Power Meas License Digital Systems v02r01, “Measurement Guidance for Certification of Licensed Digital Transmitters”

MODES TESTED

NR Band 78

RESULTS

Pass

8.2 NR BAND 78

Radiated Power (EIRP) for N78 /SCS (30kHz)									
Mode	RB/ RB Position	Frequency	Result						Conclusion
			SG Level (dBm)	Cable Loss (dBm)	Factor Gain (dB)	Max. EIRP Average (dBm)	Max. EIRP Average (mW)	Polarization Of Max. ERP	
10.0MHz DFT_QPSK	1@1	3455	-7.22	5.12	29.16	16.82	48.084	Horizontal	Pass
		3500	-6.53	5.18	28.92	17.21	52.602	Horizontal	Pass
		3545	-6.63	5.23	28.91	17.05	50.699	Horizontal	Pass
15.0MHz DFT_QPSK	1@1	3457.5	-6.85	5.12	28.97	17.00	50.119	Horizontal	Pass
		3500	-6.66	5.18	28.92	17.08	51.050	Horizontal	Pass
		3542.5	-6.93	5.22	28.91	16.76	47.424	Horizontal	Pass
20.0MHz DFT_QPSK	1@1	3460	-6.93	5.13	28.97	16.91	49.091	Horizontal	Pass
		3500	-6.61	5.18	28.92	17.13	51.642	Horizontal	Pass
		3540	-6.91	5.21	28.89	16.77	47.534	Horizontal	Pass
40.0MHz DFT_QPSK	1@1	3470	-7.12	5.13	28.98	16.73	47.098	Horizontal	Pass
		3500	-6.86	5.18	28.92	16.88	48.753	Horizontal	Pass
		3530	-6.79	5.21	28.9	16.90	48.978	Horizontal	Pass
50.0MHz DFT_QPSK	1@1	3475	-6.70	5.14	28.98	17.14	51.761	Horizontal	Pass
		3500	-6.48	5.18	28.93	17.27	53.333	Horizontal	Pass
		3525	-6.53	5.2	28.9	17.17	52.119	Horizontal	Pass
60.0MHz DFT_QPSK	1@1	3480	-7.19	5.14	28.99	16.66	46.345	Horizontal	Pass
		3500	-6.84	5.18	28.92	16.90	48.978	Horizontal	Pass
		3520	-6.43	5.19	28.88	17.26	53.211	Horizontal	Pass
80.0MHz DFT_QPSK	1@1	3490	-6.81	5.14	28.95	17.00	50.119	Horizontal	Pass
		3500	-6.65	5.18	28.93	17.10	51.286	Horizontal	Pass
		3510	-6.55	5.19	28.92	17.18	52.240	Horizontal	Pass
90.0MHz DFT_QPSK	1@1	3495	-6.78	5.14	28.96	17.04	50.582	Horizontal	Pass
		3500	-7.07	5.18	28.93	16.68	46.559	Horizontal	Pass
		3505	-6.54	5.19	28.9	17.17	52.119	Horizontal	Pass
100.0MHz DFT_QPSK	1@1	3500	-6.25	5.14	28.97	17.58	57.280	Horizontal	Pass

Radiated Power (EIRP) for N78 /SCS (30kHz)									
Mode	RB/ RB Position	Frequency	Result						Conclusion
			SG Level (dBm)	Cable Loss (dBm)	Factor Gain (dB)	Max. EIRP Average (dBm)	Max. EIRP Average (mW)	Polarization Of Max. ERP	
10.0MHz DFT_16QAM	1@1	3455	-6.87	5.12	29.16	17.17	52.119	Vertical	Pass
		3500	-6.67	5.18	28.92	17.07	50.933	Vertical	Pass
		3545	-6.38	5.23	28.91	17.30	53.703	Vertical	Pass
15.0MHz DFT_16QAM	1@1	3457.5	-6.75	5.12	28.97	17.10	51.286	Vertical	Pass
		3500	-6.72	5.18	28.92	17.02	50.350	Vertical	Pass
		3542.5	-6.90	5.22	28.91	16.79	47.753	Vertical	Pass
20.0MHz DFT_16QAM	1@1	3460	-7.05	5.13	28.97	16.79	47.753	Vertical	Pass
		3500	-6.49	5.18	28.92	17.25	53.088	Vertical	Pass
		3540	-6.44	5.21	28.89	17.24	52.966	Vertical	Pass
40.0MHz DFT_16QAM	1@1	3470	-6.95	5.13	28.98	16.90	48.978	Vertical	Pass
		3500	-6.48	5.18	28.92	17.26	53.211	Vertical	Pass
		3530	-6.42	5.21	28.9	17.27	53.333	Vertical	Pass
50.0MHz DFT_16QAM	1@1	3475	-6.65	5.14	28.98	17.19	52.360	Vertical	Pass
		3500	-6.59	5.18	28.93	17.16	52.000	Vertical	Pass
		3525	-6.97	5.2	28.9	16.73	47.098	Vertical	Pass
60.0MHz DFT_16QAM	1@1	3480	-6.74	5.14	28.99	17.11	51.404	Vertical	Pass
		3500	-6.58	5.18	28.92	17.16	52.000	Vertical	Pass
		3520	-6.49	5.19	28.88	17.20	52.481	Vertical	Pass
80.0MHz DFT_16QAM	1@1	3490	-6.93	5.14	28.95	16.88	48.753	Vertical	Pass
		3500	-6.91	5.18	28.93	16.84	48.306	Vertical	Pass
		3510	-6.73	5.19	28.92	17.00	50.119	Vertical	Pass
90.0MHz DFT_16QAM	1@1	3495	-6.68	5.14	28.96	17.14	51.761	Vertical	Pass
		3500	-6.76	5.18	28.93	16.99	50.003	Vertical	Pass
		3505	-6.53	5.19	28.9	17.18	52.240	Vertical	Pass
100.0MHz DFT_16QAM	1@1	3500	-6.02	5.19	28.9	17.69	58.749	Vertical	Pass

Note:

SG Level= Signal generator output

Max. EIRP Average (dBm)= Factor Gain (dB)+ SG Level (dBm)- Cable Loss(dBm)

Factor Gain(dB)=Antenna Gain(dB) + Amplifier Factor (dB)

9. SPURIOUS RADIATION EMISSION

RULE PART(S)

FCC: §2.1051, §27.53(c)(g)(h)(m)

LIMIT

For Band 7, the minimum permissible attenuation level of any spurious emission is $55 + \log_{10}(P)$ [Watts].

The minimum permissible attenuation level of any spurious emission is $43 + \log_{10}(P)$ [Watts], where P is the transmitter power in Watts.

TEST PROCEDURE

For Cellular equipment - Compliance with these rules is based on the use of measurement instrumentation employing a resolution bandwidth of 100 kHz or greater. In the 1 MHz bands immediately outside and adjacent to the frequency block a resolution bandwidth of at least one percent of the emission bandwidth of the fundamental emission of the transmitter may be employed. A narrower resolution bandwidth is permitted in all cases to improve measurement accuracy provided the measured power is integrated over the full required measurement bandwidth (i.e. 100 kHz or 1 percent of emission bandwidth, as specified). The emission bandwidth is defined as the width of the signal between two points, one below the carrier center frequency and one above the carrier center frequency, outside of which all emissions are attenuated at least 26 dB below the transmitter power.

For PCS equipment - Compliance with these rules is based on the use of measurement instrumentation employing a resolution bandwidth of 1 MHz or greater. However, in the 1 MHz bands immediately outside and adjacent to the frequency block a resolution bandwidth of at least one percent of the emission bandwidth of the fundamental emission of the transmitter may be employed. A narrower resolution bandwidth is permitted in all cases to improve measurement accuracy provided the measured power is integrated over the full required measurement bandwidth (i.e. 1 MHz or 1 percent of emission bandwidth, as specified). The emission bandwidth is defined as the width of the signal between two points, one below the carrier center frequency and one above the carrier center frequency, outside of which all emissions are attenuated at least 26 dB below the transmitter power.

The unwanted emission power shall be measured with a resolution bandwidth of at least 1% of the occupied bandwidth in the 1 MHz band immediately outside and adjacent to the channel edge of the equipment. Beyond the 1 MHz band immediately outside the channel edge of the equipment, a resolution bandwidth of 1 MHz shall be employed. A narrower resolution bandwidth is allowed to be used provided that the measured power is integrated over the full required measurement bandwidth of 1 MHz or 1% of the occupied bandwidth as applicable.

The power of any unwanted emissions measured from the channel edge of the equipment shall be attenuated below the transmitter power, P (dBW), as follows:

- a. for base station and subscriber equipment, other than mobile subscriber equipment, the attenuation shall not be less than $43 + 10 \text{ Log}_{10}(p)$, dB; and
- b. for mobile subscriber equipment, the attenuation shall not be less than $43 + 10 \text{ Log}_{10}(p)$, dB at the channel edges and $55 + 10 \text{ Log}_{10}(p)$ at 5.5 MHz away and beyond the channel edges where p in (a) and (b) is the transmitter power measured in watts.

MODES TESTED

NR Band 78

RESULTS

PASS

9.1 NR BAND 78

QPSK EIRP POWER FOR NR BAND 78 (10.0MHZ BANDWIDTH/ SCS (30kHz))

Test Results for Low Channel 3455MHz							
Frequency(MHz)	SG Level(dBm)	Cable Loss(dB)	Antenna Gain(dB)	Absolute Level(dBm)	Limit (dBm)	Margin(dBm)	Polarity
6910	-51.53	2.63	28.37	-25.79	-13	-12.79	Horizontal
6910	-53.44	2.63	28.37	-27.70	-13	-14.70	Vertical
10365	-50.55	3.38	28.25	-25.68	-13	-12.68	Vertical
10365	-52.59	3.38	28.25	-27.72	-13	-14.72	Horizontal
183.6	-44.16	0.61	15.10	-29.67	-13	-16.67	Vertical
412.7	-45.62	1.38	15.45	-31.55	-13	-18.55	Horizontal
Test Results for Mid Channel 3500MHz							
7000	-51.12	2.65	28.33	-25.44	-13	-12.44	Horizontal
7000	-46.40	2.65	28.33	-20.72	-13	-7.72	Vertical
10500	-49.31	4.14	28.26	-25.19	-13	-12.19	Vertical
10500	-50.79	4.14	28.26	-26.67	-13	-13.67	Horizontal
184.8	-48.50	0.62	16.35	-32.77	-13	-19.77	Vertical
416.9	-47.94	1.39	15.55	-33.78	-13	-20.78	Horizontal
Test Results for High Channel 3545MHz							
7090	-45.06	2.65	28.41	-19.30	-13	-6.30	Horizontal
7090	-51.92	2.65	28.41	-26.16	-13	-13.16	Vertical
10635	-49.24	5.23	28.15	-26.32	-13	-13.32	Vertical
10635	-53.40	5.23	28.89	-29.74	-13	-16.74	Horizontal
194.6	-47.12	0.65	15.20	-32.57	-13	-19.57	Vertical
329.8	-49.81	1.10	15.16	-35.75	-13	-22.75	Horizontal

QPSK EIRP POWER FOR NR BAND 78 (100.0MHZ BANDWIDTH/ SCS (30kHz))

Test Results for Mid Channel 3500MHz							
Frequency(MHz)	SG Level(dBm)	Cable Loss(dB)	Antenna Gain(dB)	Absolute Level(dBm)	Limit (dBm)	Margin(dBm)	Polarity
7000	-47.33	2.63	28.33	-21.63	-13	-8.63	Horizontal
7000	-50.35	2.63	28.33	-24.65	-13	-11.65	Vertical
10500	-44.59	3.38	28.26	-19.71	-13	-6.71	Vertical
10500	-45.60	3.38	28.26	-20.72	-13	-7.72	Horizontal
184.6	-49.66	0.62	15.28	-35.00	-13	-22.00	Vertical
372.8	-48.89	1.24	16.64	-33.49	-13	-20.49	Horizontal

16QAM EIRP POWER FOR NR BAND 78 (10.0MHZ BANDWIDTH/ SCS (30kHz))

Test Results for Low Channel 3455MHz							
Frequency(MHz)	SG Level(dBm)	Cable Loss(dB)	Antenna Gain(dB)	Absolute Level(dBm)	Limit (dBm)	Margin(dBm)	Polarity
6910	-45.09	2.63	28.37	-19.35	-13	-6.35	Horizontal
6910	-50.18	2.63	28.37	-24.44	-13	-11.44	Vertical
10365	-44.42	3.38	28.25	-19.55	-13	-6.55	Vertical
10365	-49.61	3.38	28.25	-24.74	-13	-11.74	Horizontal
176.2	-49.02	0.59	15.16	-34.45	-13	-21.45	Vertical
420.2	-45.97	1.40	16.07	-31.30	-13	-18.30	Horizontal
Test Results for Mid Channel 3500MHz							
7000	-51.92	2.65	28.33	-26.24	-13	-13.24	Horizontal
7000	-49.01	2.65	28.33	-23.33	-13	-10.33	Vertical
10500	-48.67	4.14	28.26	-24.55	-13	-11.55	Vertical
10500	-50.65	4.14	28.26	-26.53	-13	-13.53	Horizontal
190.6	-52.57	0.64	15.06	-38.15	-13	-25.15	Vertical
431.8	-49.74	1.44	15.22	-35.96	-13	-22.96	Horizontal
Test Results for High Channel 3545MHz							
7090	-48.23	2.65	28.41	-22.47	-13	-9.47	Horizontal
7090	-50.06	2.65	28.41	-24.30	-13	-11.30	Vertical
10635	-44.00	5.23	28.15	-21.08	-13	-8.08	Vertical
10635	-50.82	5.23	28.89	-27.16	-13	-14.16	Horizontal
186.4	-45.05	0.62	16.25	-29.42	-13	-16.42	Vertical
426.5	-52.73	1.42	16.41	-37.74	-13	-24.74	Horizontal

16QAM EIRP POWER FOR NR BAND 78 (100.0MHZ BANDWIDTH/ SCS (30kHz))

Test Results for Mid Channel 3500MHz							
Frequency(MHz)	SG Level(dBm)	Cable Loss(dB)	Antenna Gain(dB)	Absolute Level(dBm)	Limit (dBm)	Margin(dBm)	Polarity
7000	-53.21	2.63	28.33	-27.51	-13	-14.51	Horizontal
7000	-49.64	2.63	28.33	-23.94	-13	-10.94	Vertical
10500	-50.28	3.38	28.26	-25.40	-13	-12.40	Vertical
10500	-50.82	3.38	28.26	-25.94	-13	-12.94	Horizontal
206.8	-45.23	0.69	16.00	-29.92	-13	-16.92	Vertical
236.5	-53.74	0.79	16.05	-38.48	-13	-25.48	Horizontal

Note: $P_{Mea}(dBm) = Power(dBm) + ARpl (dBm)$

Over Limit = : $P_{Mea}(dBm) - Limit(dBm)$

10. FREQUENCY STABILITY

RULE PART(S)

FCC: §2.1055, §27.54

LIMITS

§22.355 - The carrier frequency shall not depart from the reference frequency in excess of ± 2.5 ppm for mobile stations.

§24.235 - The frequency stability shall be sufficient to ensure that the fundamental emission stays within the authorized frequency block.

TEST PROCEDURE

Use CMW 500 with Frequency Error measurement capability.

- Temp. = -30° to $+50^{\circ}\text{C}$
- Voltage = low voltage, DC 3.4V, Normal, DC 3.87V and High voltage, DC 4.26V.

Frequency Stability vs Temperature:

The EUT is placed inside a temperature chamber. The temperature is set to -30°C and allowed to stabilize. After sufficient soak time, the transmitting frequency error is measured. The temperature is increased by 10 degrees, allowed to stabilize and soak, and then the measurement is repeated. This is repeated until $+50^{\circ}\text{C}$ is reached.

Frequency Stability vs Voltage:

The peak frequency error is recorded (worst-case).

MODES TESTED

- NR Band 78

RESULTS

See the following pages.

10.1 NR BAND 78

DFT_QPSK, (100MHz CH 633333 RB Allocation 135@67

Frequency error vs. Voltage

Voltage [Vdc]	Frequency [MHz]	Frequency* Error[Hz]	Frequency Error[ppm]	Limit [ppm]
3.48	3500	0.49	0.000139	2.5
3.87	3500	3.11	0.000890	2.5
4.26	3500	0.07	0.000019	2.5

Frequency error vs. Temperature

Temperature [°C]	Frequency [MHz]	Frequency* Error[Hz]	Frequency Error[ppm]	Limit [ppm]
Normal (25C)	3500	5.99	0.001710	2.5
Extreme (50C)	3500	0.36	0.000103	2.5
Extreme (40C)	3500	5.86	0.001675	2.5
Extreme (30C)	3500	0.33	0.000094	2.5
Extreme (10C)	3500	5.38	0.001537	2.5
Extreme (0C)	3500	2.85	0.000815	2.5
Extreme (-10C)	3500	3.54	0.001011	2.5
Extreme (-20C)	3500	5.19	0.001484	2.5
Extreme (-30C)	3500	5.54	0.001583	2.5

N78 16QAM, (100MHz CH 633333 RB Allocation 135@67)

Frequency error vs. Voltage

Voltage [Vdc]	Frequency [MHz]	Frequency* Error[Hz]	Frequency Error[ppm]	Limit [ppm]
3.48	3500	5.63	0.001608	2.5
3.87	3500	2.74	0.000784	2.5
4.26	3500	3.19	0.000910	2.5

Frequency error vs. Temperature

Temperature [°C]	Frequency [MHz]	Frequency* Error[Hz]	Frequency Error[ppm]	Limit [ppm]
Normal (25C)	3500	4.77	0.001362	2.5
Extreme (50C)	3500	1.43	0.000408	2.5
Extreme (40C)	3500	1.30	0.000372	2.5
Extreme (30C)	3500	5.79	0.001655	2.5
Extreme (10C)	3500	5.93	0.001696	2.5
Extreme (0C)	3500	4.53	0.001293	2.5
Extreme (-10C)	3500	3.63	0.001036	2.5
Extreme (-20C)	3500	3.93	0.001123	2.5
Extreme (-30C)	3500	0.09	0.000026	2.5

***Note:** Frequency error measurements were made by using the build-in capability of the Wireless Communication Test Set.

11. Peak-to-Average Ratio

11.1 Description of the PAR Measurement

The peak-to-average ratio (PAR) of the transmission may not exceed 13 dB.

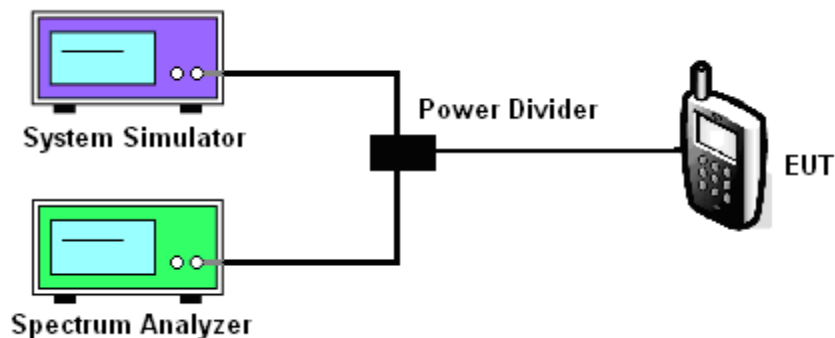
11.2 Measuring Instruments

See list of measuring instruments of this test report.

11.3 Test Procedures

1. The EUT was connected to Spectrum Analyzer and Base Station via power divider.
2. The RF output of EUT was connected to the spectrum analyzer by RF cable and attenuator. The path loss was compensated to the results for each measurement.
3. For GSM/EGPRS operating modes:
 - a. Set the RBW = 1MHz, VBW = 1MHz, Peak detector in spectrum analyzer.
 - b. Set EUT in maximum power output, and triggered the burst signal.
 - c. Measured respectively the Peak level and Mean level, and the deviation was recorded as Peak to Average Ratio.
4. For UMTS operating modes:
 - a. Set the CCDF (Complementary Cumulative Distribution Function) option in spectrum analyzer.
 - b. The highest RF powers were measured and recorded the maximum PAPR level associated with a probability of 0.1 %.

11.4 Test Setup



11.5 MODES TESTED

- NR Band78
-

Test data reference attachment.

----END OF REPORT----