

# TEST REPORT

Report No.: BCTC2408023427-6E

---

Applicant: SHENZHEN YUNJI INTELLIGENT TECHNOLOGY  
CO.,LTD

---

Product Name: Smart Phone

---

Test Model: P1

---

Tested Date: 2024-08-27 to 2024-09-27

---

Issued Date: 2024-10-08

---

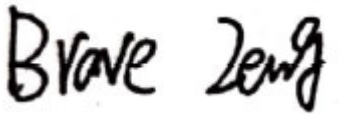
**Shenzhen BCTC Testing Co., Ltd.**



# FCC ID: 2ANMU-24136

Product Name: Smart Phone  
Trademark: OUKITEL  
Model/Type reference: P1  
P1S, P1 Pro, P1 Ultra, P1 TITAN  
Prepared For: SHENZHEN YUNJI INTELLIGENT TECHNOLOGY CO.,LTD  
Address: A2 2F BUILDING ENET NEW INDUSTRIAL PARK, DAFU INDUSTRIAL ZONE,  
GUANLAN, LONGHUA SHENZHEN, 518XXX China  
Manufacturer: SHENZHEN YUNJI INTELLIGENT TECHNOLOGY CO.,LTD  
Address: A2 2F BUILDING ENET NEW INDUSTRIAL PARK, DAFU INDUSTRIAL ZONE,  
GUANLAN, LONGHUA SHENZHEN, 518XXX China  
Prepared By: Shenzhen BCTC Testing Co., Ltd.  
Address: 1-2/F., Building B, Pengzhou Industrial Park, No.158, Fuyuan 1st Road,  
Zhancheng, Fuhai Subdistrict, Bao'an District, Shenzhen, Guangdong, China  
Sample Received Date: 2024-08-27  
Sample tested Date: 2024-08-27 to 2024-09-27  
Issue Date: 2024-10-08  
Report No.: BCTC2408023427-6E  
Test Standards: FCC CFR Title 47 Part 2  
FCC CFR Title 47 Part 22  
FCC CFR Title 47 Part 24  
FCC CFR Title 47 Part 27  
FCC CFR Title 47 Part 90  
Test Results: PASS  
Remark: This is radio test report for 4G in US full bands.

Tested by:



Brave Zeng/ Project Handler

Approved by:



Zero Zhou/Reviewer

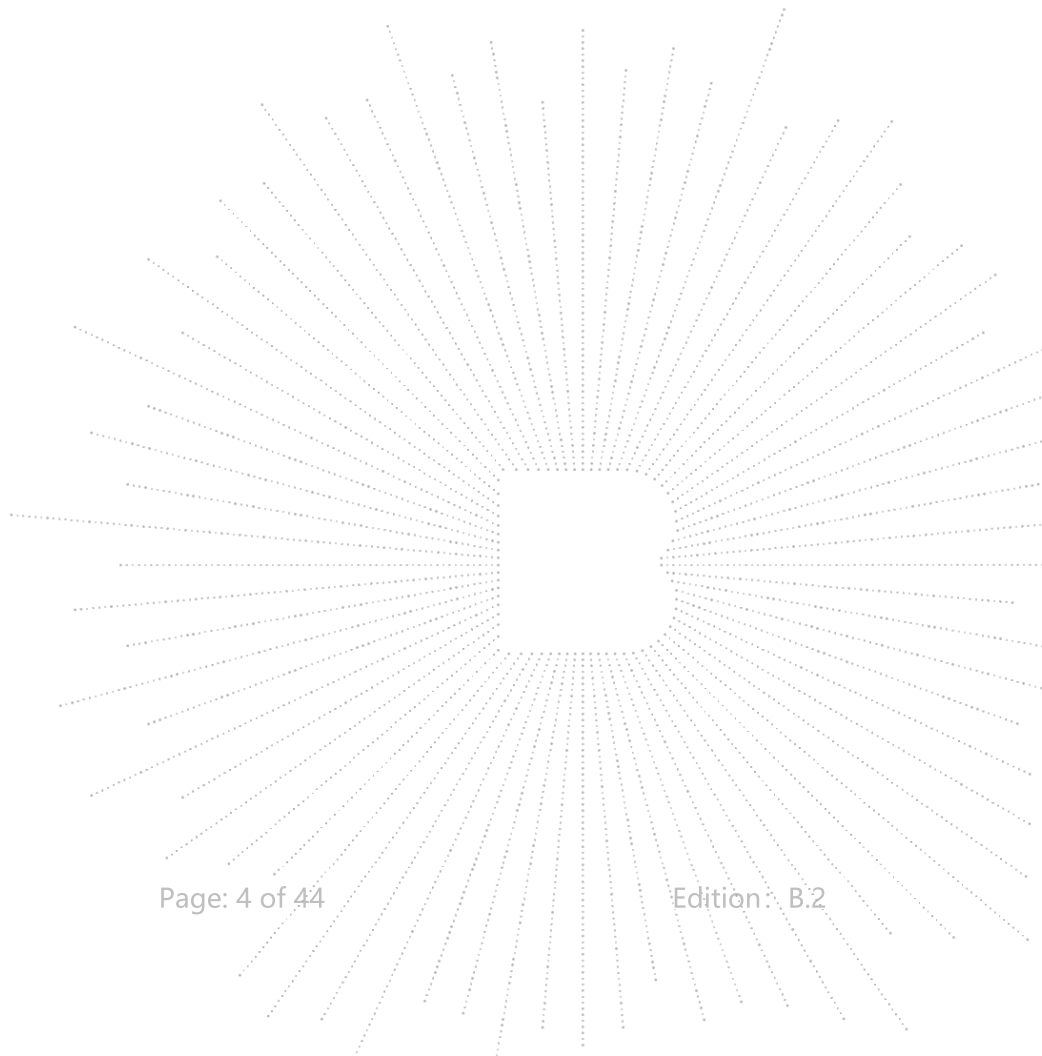
The test report is effective only with both signature and specialized stamp. This result(s) shown in this report refer only to the sample(s) tested. Without written approval of Shenzhen BCTC Testing Co., Ltd, this report can't be reproduced except in full. The tested sample(s) and the sample information are provided by the client.

## Table Of Content

Test Report Declaration	Page
1. Version .....	5
2. Test Summary .....	6
3. Measurement Uncertainty .....	7
4. Product Information And Test Setup .....	8
4.1 Product Information.....	8
4.2 Test Setup Configuration .....	9
4.2 Emission Designator .....	9
4.3 Description Operation Frequency .....	12
4.4 Test Mode .....	15
4.5 Support Equipment .....	18
4.6 Measurement Results Explanation Example.....	18
5. Test Facility And Test Instrument Used.....	19
5.1 Test Facility.....	19
5.2 Test Instrument Used.....	19
6. Effective Radiated Power and Effective Isotropic Radiated Power Measurement.....	20
6.1 Block Diagram Of Test Setup.....	20
6.2 Limit .....	22
6.3 Test procedure.....	23
6.4 Test Result.....	24
7. Peak-To-Average Ratio(PAR) Of Transmitter .....	25
7.1 Block Diagram Of Test Setup.....	25
7.2 Limit .....	25
7.3 Test procedure.....	25
7.4 Test Result.....	26
8. Emission Bandwidth .....	27
8.1 Block Diagram Of Test Setup.....	27
8.2 Standard Applicable .....	27
8.3 Test procedure.....	27
8.4 Test Result.....	27
9. Out of Band Emissions at Antenna Terminal.....	28
9.1 Block Diagram Of Test Setup.....	28
9.2 Limit .....	28
9.3 Test procedure.....	30
9.4 Test Result.....	30
10. Spurious Radiated Emissions.....	31
10.1 Block Diagram Of Test Setup.....	31
10.2 Limit .....	32
10.3 Test procedure.....	34
10.4 Test Result.....	35
11. Frequency Stability.....	40

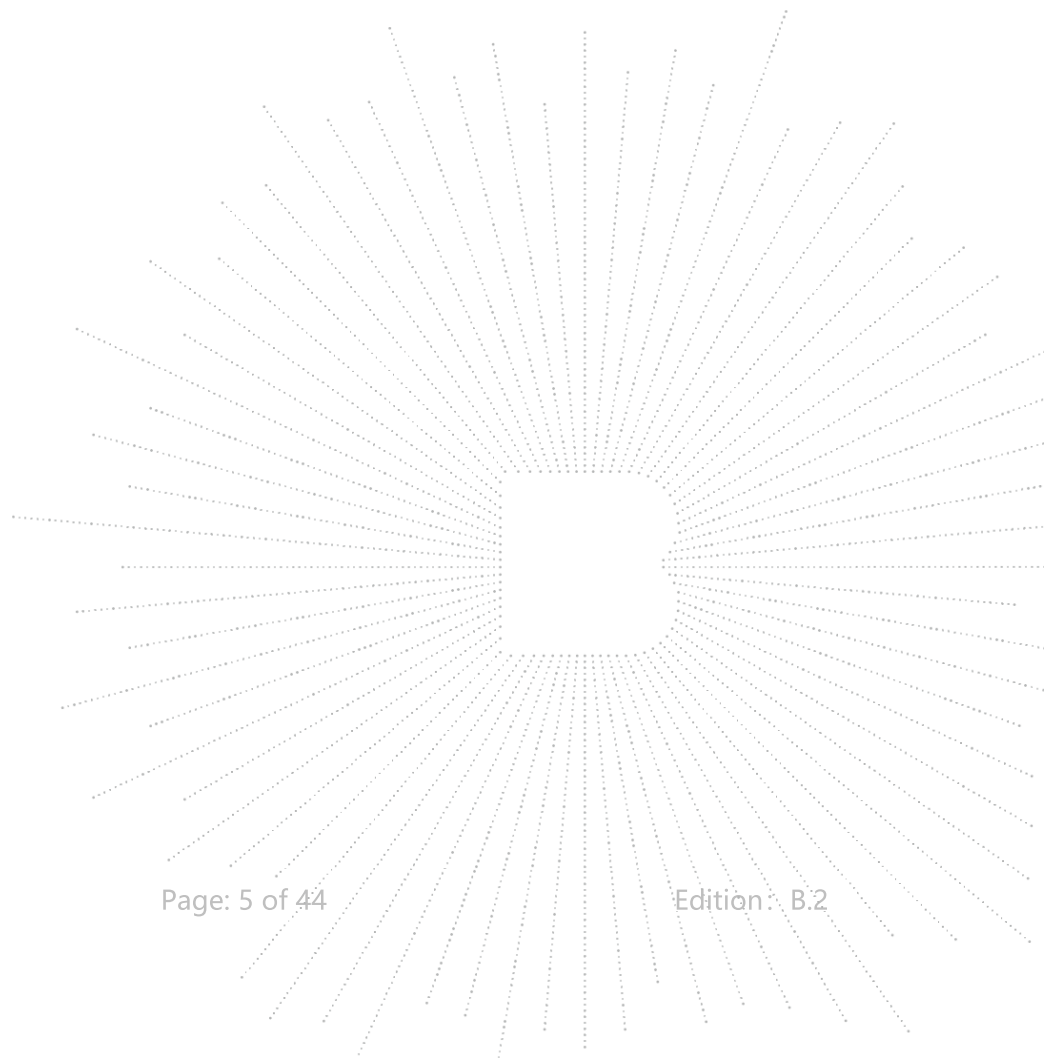
11.1	Block Diagram Of Test Setup.....	40
11.2	Limit .....	40
11.3	Test procedure.....	40
11.4	Test Result.....	41
12.	EUT Photographs.....	42
13.	EUT Test Setup Photographs.....	43

(Note: N/A Means Not Applicable)



**1. Version**

<b>Report No.</b>	<b>Issue Date</b>	<b>Description</b>	<b>Approved</b>
BCTC2408023427-6E	2024-10-08	Original	Valid



## 2. Test Summary

The Product has been tested according to the following specifications:

No.	Test Parameter	Clause No.	Results
1	RF Exposure	§1.1307,§2.1093	PASS
2	RF Output Power	§2.1046; §22.913; §24.232(c); §27.50;§90.635(b) ;§90.542(a)	PASS
3	Peak-to-average Ratio(PAR) of Transmitter	§2.1046; §24.232(d) §27.50	PASS
4	Emission Bandwidth	§2.1049; §24.238(b);§27.53;§90.209	PASS
5	Spurious Emissions at Antenna Terminal	§22.917 (a) ; §24.238 (a), §27.53,§90.691 §90.543	PASS
6	Spurious Radiation Emissions	§2.1051; §22.917; §27.53; §24.238;§90.691 §90.543	PASS
7	Out of Band Emissions	§2.1051; §22.917; §27.53; §24.238;90.691; 90.543	PASS
8	Frequency Stability	§2.1055;§22.355; §27.54; §24.235;90.691; 90.543	PASS

### 3. Measurement Uncertainty

The reported uncertainty of measurement  $y \pm U$ , where expanded uncertainty  $U$  is based on a standard uncertainty multiplied by a coverage factor of  $k=2$ , providing a level of confidence of approximately 95 %.



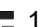
No.	Item	Uncertainty
1	3m chamber Radiated spurious emission(30MHz-1GHz)	U=4.3dB
2	3m chamber Radiated spurious emission(9KHz-30MHz)	U=3.7dB
3	3m chamber Radiated spurious emission(1GHz-18GHz)	U=4.5dB
4	3m chamber Radiated spurious emission(18GHz-40GHz)	U=3.34dB
5	Conducted Emission (150kHz-30MHz)	U=3.20dB
6	Conducted Adjacent channel power	U=1.38dB
7	Conducted output power uncertainty Above 1G	U=1.576dB
8	Conducted output power uncertainty below 1G	U=1.28dB
9	humidity uncertainty	U=5.3%
10	Temperature uncertainty	U=0.59°C

## 4. Product Information And Test Setup

### 4.1 Product Information

Model/Type reference:	P1 P1S, P1 Pro, P1 Ultra, P1 TITAN
Model differences:	All the model are the same circuit and RF module, except model names.
Hardware Version:	M8902_MB_V2.0
Software Version:	V02
Tx Frequency:	LTE Band 2: 1850 MHz ~ 1910 MHz LTE Band 4: 1710 MHz ~ 1755 MHz LTE Band 5: 824 MHz ~ 849 MHz LTE Band 7: 2500MHz-2570MHz LTE Band 12: 699 MHz ~ 716 MHz LTE Band 17: 704MHz-716MHz LTE Band 25: 1850MHz~1915MHz LTE Band 26: 814MHz-824MHz 824MHz-849MHz LTE Band 66: 1710MHz ~ 1780MHz LTE Band 2: 1930 MHz ~ 1990 MHz LTE Band 4: 2110 MHz ~ 2155 MHz LTE Band 5: 869 MHz ~ 894 MHz LTE Band 7: 2620MHz-2690MHz LTE Band 12: 729 MHz ~ 746 MHz LTE Band 17: 734MHz-746MHz LTE Band 25: 1930MHz~1995MHz LTE Band 26: 859MHz-869MHz 869MHz-894MHz LTE Band 66: 2110MHz ~ 2200MHz
Rx Frequency:	LTE Band 2: 1.4MHz /3MHz /5MHz /10MHz /15MHz /20MHz LTE Band 4: 1.4MHz /3MHz /5MHz /10MHz /15MHz /20MHz LTE Band 5: 1.4MHz /3MHz /5MHz /10MHz LTE Band 7: 5MHz /10MHz /15MHz /20MHz LTE Band 12: 1.4MHz /3MHz /5MHz /10MHz LTE Band 17: 5MHz /10MHz LTE Band 25: 1.4MHz /3MHz /5MHz /10MHz /15MHz /20MHz LTE Band 26: 1.4MHz /3MHz /5MHz /10MHz 1.4MHz /3MHz /5MHz /10MHz /15MHz LTE Band 66: 1.4MHz /3MHz /5MHz /10MHz /15MHz /20MHz
Bandwidth:	LTE Band 2: 22.63 dBm LTE Band 4: 22.54 dBm LTE Band 5: 20.55 dBm LTE Band 7: 23.22 dBm LTE Band 12: 21.19 dBm LTE Band 17: 21.02 dBm LTE Band 25: 23.55 dBm LTE Band 26: 19.67 dBm 20.01 dBm LTE Band 66: 23.04 dBm
The Max RF Output Power (EIRP/ERP)	LTE Band 2: 18M0W7D LTE Band 4: 18M0W7D LTE Band 5: 9M00W7D LTE Band 7: 18M0W7D LTE Band 12: 9M01W7D
99% Occupied Bandwidth:	



	LTE Band 17: 9M02G7D LTE Band 25: 17M9G7D LTE Band 26: 9M00W7D 13M5W7D LTE Band 66: 17M9G7D
Type of Modulation:	QPSK/16QAM
Antenna Type:	Internal Antenna
	LTE Band 2: -0.41 dBi LTE Band 4: -0.38 dBi LTE Band 5: -1.47 dBi LTE Band 7: 0.25 dBi LTE Band 12: -0.29 dBi LTE Band 17: -0.29 dBi LTE Band 25: -0.41 dBi LTE Band 26: -1.47 dBi LTE Band 66: -0.41 dBi
Antenna Gain:	Remark: <input type="checkbox"/> The antenna gain of the product comes from the antenna report provided by the customer, and the test data is affected by the customer information. <input checked="" type="checkbox"/> The antenna gain of the product is provided by the customer, and the test data is affected by the customer information.
Connecting I/O Port(s):	Please refer to the User's Manual
Ratings:	DC 9V from adapter/DC 3.87V from battery Model: HJ-FC001K7-US Input: 100-240V- 50/60Hz 0.6A Output: 5.0V  3.0A 15.0W OR 9.0V  2.0A 18.0W OR 12.0V  1.5A 18.0W MAX
Adapter Information:	

## 4.2 Test Setup Configuration

See test photographs attached in *EUT TEST SETUP PHOTOGRAPHS* for the actual connections between Product and support equipment.

## 4.2 Emission Designator

LTE Band 2	QPSK		16QAM	
	BW(MHz)	Emission Designator (99%OBW)	Maximum EIRP(W)	Emission Designator (99%OBW)
1.4	1M10G7D	0.179	1M10W7D	0.146
3	2M70G7D	0.168	2M69W7D	0.147
5	4M52G7D	0.178	4M54W7D	0.159
10	9M01G7D	0.183	8M98W7D	0.154
15	13M5G7D	0.177	13M5W7D	0.155
20	17M9G7D	0.179	18M0W7D	0.154

LTE Band 4	QPSK		16QAM	
BW(MHz)	Emission Designator (99%OBW)	Maximum EIRP(W)	Emission Designator (99%OBW)	Maximum EIRP(W)
1.4	1M10G7D	0.179	1M10W7D	0.146
3	2M70G7D	0.167	2M69W7D	0.146
5	4M53G7D	0.176	4M52W7D	0.157
10	8M98G7D	0.178	8M98W7D	0.155
15	13M5G7D	0.176	13M5W7D	0.154
20	18M0G7D	0.179	18M0W7D	0.152

LTE Band 5	QPSK		16QAM	
BW(MHz)	Emission Designator (99%OBW)	Maximum ERP(W)	Emission Designator (99%OBW)	Maximum ERP(W)
1.4	1M10G7D	0.110	1M10W7D	0.091
3	2M69G7D	0.105	2M69W7D	0.089
5	4M52G7D	0.111	4M52W7D	0.097
10	9M00G7D	0.114	9M00W7D	0.097

LTE Band 7	QPSK		16QAM	
BW(MHz)	Emission Designator (99%OBW)	Maximum ERP(W)	Emission Designator (99%OBW)	Maximum ERP(W)
5	4M51G7D	0.204	4M52W7D	0.177
10	9M00G7D	0.208	9M00W7D	0.173
15	13M5G7D	0.207	13M5W7D	0.172
20	18M0G7D	0.210	18M0W7D	0.170

LTE Band 12	QPSK		16QAM	
BW(MHz)	Emission Designator (99%OBW)	Maximum ERP(W)	Emission Designator (99%OBW)	Maximum ERP(W)
1.4	1M10G7D	0.128	1M10W7D	0.108
3	2M69G7D	0.124	2M69W7D	0.103
5	4M51G7D	0.127	4M51W7D	0.112
10	8M98G7D	0.132	9M01W7D	0.110

LTE Band 17	QPSK		16QAM	
BW(MHz)	Emission Designator (99%OBW)	Maximum ERP(W)	Emission Designator (99%OBW)	Maximum ERP(W)
5	4M52G7D	0.122	4M52W7D	0.108
10	9M02G7D	0.126	8M99W7D	0.109

LTE Band 25		QPSK		16QAM	
BW(MHz)	Emission Designator (99%OBW)	Maximum EIRP(W)	Emission Designator (99%OBW)	Maximum EIRP(W)	
1.4	1M10G7D	0.177	1M10W7D	0.146	
3	2M69G7D	0.166	2M70W7D	0.146	
5	4M52G7D	0.174	4M52W7D	0.153	
10	8M98G7D	0.177	8M99W7D	0.155	
15	13M5G7D	0.226	13M5W7D	0.221	
20	17M9G7D	0.177	17M9W7D	0.150	

LTE Band 26 (814-824)		QPSK		16QAM	
BW(MHz)	Emission Designator (99%OBW)	Maximum ERP(W)	Emission Designator (99%OBW)	Maximum ERP(W)	
1.4	1M11G7D	0.092	1M10W7D	0.075	
3	2M70G7D	0.089	2M69W7D	0.077	
5	4M55G7D	0.092	4M50W7D	0.083	
10	8M99G7D	0.093	9M00W7D	0.082	

LTE Band 26 (824-849)		QPSK		16QAM	
BW(MHz)	Emission Designator (99%OBW)	Maximum ERP(W)	Emission Designator (99%OBW)	Maximum ERP(W)	
1.4	1M10G7D	0.097	1M10W7D	0.080	
3	2M70G7D	0.092	2M69W7D	0.077	
5	4M52G7D	0.097	4M50W7D	0.085	
10	8M99G7D	0.099	8M98W7D	0.086	
15	13M4G7D	0.100	13M5W7D	0.086	

LTE Band 66		QPSK		16QAM	
BW(MHz)	Emission Designator (99%OBW)	Maximum EIRP(W)	Emission Designator (99%OBW)	Maximum EIRP(W)	
1.4	1M10G7D	0.201	1M10W7D	0.200	
3	2M70G7D	0.201	2M69W7D	0.134	
5	4M52G7D	0.163	4M53W7D	0.146	
10	8M98G7D	0.163	8M99W7D	0.143	
15	13M5G7D	0.163	13M5W7D	0.144	
20	17M9G7D	0.167	17M9W7D	0.144	

### 4.3 Description Operation Frequency

LTE Band 2(1.4MHz)		LTE Band 2(3MHz)	
Channel	Frequency (MHz)	Channel	Frequency (MHz)
18607	1850.7	18615	1851.5
18900	1880	18900	1880
19193	1909.3	19185	1908.5
LTE Band 2(5MHz)		LTE Band 2(10MHz)	
Channel	Frequency (MHz)	Channel	Frequency (MHz)
18625	1852.5	18650	1855
18900	1880	18900	1880
19175	1907.5	19150	1905
LTE Band 2(15MHz)		LTE Band 2(20MHz)	
Channel	Frequency (MHz)	Channel	Frequency (MHz)
18675	1857.5	18700	1860
18900	1880	18900	1880
19125	1902.5	19100	1900

LTE Band 4(1.4MHz)		LTE Band 4(3MHz)	
Channel	Frequency (MHz)	Channel	Frequency (MHz)
19957	1710.7	19965	1711.5
20175	1732.5	20175	1732.5
20393	1754.3	20385	1753.5
LTE Band 4(5MHz)		LTE Band 4(10MHz)	
Channel	Frequency (MHz)	Channel	Frequency (MHz)
19975	1712.5	20000	1715
20175	1732.5	20175	1732.5
20375	1752.5	20350	1750
LTE Band 4(15MHz)		LTE Band 4(20MHz)	
Channel	Frequency (MHz)	Channel	Frequency (MHz)
20025	1717.5	20050	1720
20175	1732.5	20175	1732.5
20325	1747.5	20300	1745

LTE Band 5(1.4MHz)		LTE Band 5(3MHz)	
Channel	Frequency (MHz)	Channel	Frequency (MHz)
20407	824.7	20415	825.5
20525	836.5	20525	836.5
20643	848.3	20635	847.5
LTE Band 5(5MHz)		LTE Band 5(10MHz)	
Channel	Frequency (MHz)	Channel	Frequency (MHz)
20425	826.5	20450	829
20525	836.5	20525	836.5
20625	846.5	20600	844

LTE Band 7(5MHz)		LTE Band 7(10MHz)	
Channel	Frequency (MHz)	Channel	Frequency (MHz)
20775	2502.5	20800	2505
21100	2535	21100	2535
21425	2567.5	21400	2565
LTE Band 7(15MHz)		LTE Band 7(20MHz)	
Channel	Frequency (MHz)	Channel	Frequency (MHz)
20825	2507.5	20850	2510
21100	2535	21100	2535
21375	2562.5	21350	2560

LTE Band 12(1.4MHz)		LTE Band 12(3MHz)	
Channel	Frequency (MHz)	Channel	Frequency (MHz)
23017	699.7	23025	700.5
23095	707.5	23095	707.5
23173	715.3	23165	714.5
LTE Band 12(5MHz)		LTE Band 12(10MHz)	
Channel	Frequency (MHz)	Channel	Frequency (MHz)
23035	701.5	23060	704
23095	707.5	23095	707.5
23155	713.5	23130	711

LTE Band 17(5MHz)		LTE Band 17(10MHz)	
Channel	Frequency (MHz)	Channel	Frequency (MHz)
23755	706.5	23780	709
23790	710	23790	710
23825	713.5	23800	711

LTE Band 25(1.4MHz)		LTE Band 25(3MHz)	
Channel	Frequency (MHz)	Channel	Frequency (MHz)
26047	1850.7	26055	1851.5
26365	1882.5	26365	1882.5
26683	1914.3	26675	1913.5
LTE Band 25(5MHz)		LTE Band 25(10MHz)	
Channel	Frequency (MHz)	Channel	Frequency (MHz)
26065	1852.5	26090	1855
26365	1882.5	26365	1882.5
26665	1912.5	26640	1910
LTE Band 25(15MHz)		LTE Band 25(20MHz)	
Channel	Frequency (MHz)	Channel	Frequency (MHz)
26115	1857.5	26140	1860
26365	1882.5	26365	1882.5
26615	1907.5	26590	1905

LTE Band 26(1.4MHz)		LTE Band 26(3MHz)	
Channel	Frequency (MHz)	Channel	Frequency (MHz)
26797	824.7	26805	825.5
26915	836.5	26915	836.5
27033	848.3	27025	847.5
LTE Band 26(5MHz)		LTE Band 26(10MHz)	
Channel	Frequency (MHz)	Channel	Frequency (MHz)
26815	826.5	26840	829
26915	836.5	26915	836.5
27015	846.5	26990	844
LTE Band 26(15MHz)		/	
Channel	Frequency (MHz)	/	/
26865	831.5	/	/
26915	836.5	/	/
26965	841.5	/	/

LTE Band 26(1.4MHz)		LTE Band 26(3MHz)	
Channel	Frequency (MHz)	Channel	Frequency (MHz)
26697	814.7	26705	815.5
26740	819	26740	819
26783	823.3	26775	822.5
LTE Band 26(5MHz)		LTE Band 26(10MHz)	
Channel	Frequency (MHz)	Channel	Frequency (MHz)
26715	816.5	/	/
26740	819	26740	819
26765	821.5	/	/

LTE Band 66(1.4MHz)		LTE Band 66(3MHz)	
Channel	Frequency (MHz)	Channel	Frequency (MHz)
131979	1710.7	131987	1711.5
132322	1745	132322	1745
132665	1779.3	132657	1778.5
LTE Band 66(5MHz)		LTE Band 66(10MHz)	
Channel	Frequency (MHz)	Channel	Frequency (MHz)
131997	1712.5	132022	1715
132322	1745	132322	1745
132647	1777.5	132622	1775
LTE Band 66(15MHz)		LTE Band 66(20MHz)	
Channel	Frequency (MHz)	Channel	Frequency (MHz)
132047	1717.5	132072	1720
132322	1745	132322	1745
132597	1772.5	132572	1770

#### 4.4 Test Mode

Test modes are chosen to be reported as the worst case configuration below:

Test Mode		
Band	Radiated TCs	Conducted TCs
LTE Band 2	QPSK Link (1.4MHz / 3MHz / 5MHz / 10MHz / 15MHz / 20MHz)	16QAM Link (1.4MHz / 3MHz / 5MHz / 10MHz / 15MHz / 20MHz)
LTE Band 4	QPSK Link (1.4MHz / 3MHz / 5MHz / 10MHz / 15MHz / 20MHz)	16QAM Link (1.4MHz / 3MHz / 5MHz / 10MHz / 15MHz / 20MHz)
LTE Band 5	QPSK Link (1.4MHz / 3MHz / 5MHz / 10MHz)	16QAM Link (1.4MHz / 3MHz / 5MHz / 10MHz)
LTE Band 7	QPSK Link (5MHz / 10MHz / 15MHz / 20MHz)	16QAM Link (5MHz / 10MHz / 15MHz / 20MHz)
LTE Band 12	QPSK Link (1.4MHz / 3MHz / 5MHz / 10MHz)	16QAM Link (1.4MHz / 3MHz / 5MHz / 10MHz)
LTE Band 17	QPSK Link (5MHz / 10MHz)	16QAM Link (5MHz / 10MHz)
LTE Band 25	QPSK Link (1.4MHz / 3MHz / 5MHz / 10MHz / 15MHz / 20MHz)	QPSK Link (1.4MHz / 3MHz / 5MHz / 10MHz / 15MHz / 20MHz)
LTE Band 26	QPSK Link (1.4MHz / 3MHz / 5MHz / 10MHz)	QPSK Link (1.4MHz / 3MHz / 5MHz / 10MHz)
LTE Band 26	QPSK Link (1.4MHz / 3MHz / 5MHz / 10MHz / 15MHz)	QPSK Link (1.4MHz / 3MHz / 5MHz / 10MHz / 15MHz)
LTE Band 66	QPSK Link (1.4MHz / 3MHz / 5MHz / 10MHz / 15MHz / 20MHz)	16QAM Link (1.4MHz / 3MHz / 5MHz / 10MHz / 15MHz / 20MHz)

Note 1: All modes and data rates and positions were investigated.  
 Note 2: Both the SIM 1 and SIM 2 were tested, the worst mode is the SIM 1, the data recording in the report.

Antenna port conducted and radiated test items were performed according to KDB 971168 D01 Power Meas License Digital Systems v03 with maximum output power.

EUT Cable List and Details

Cable Description	Length (M)	Shielded/Unshielded	With Core/ Without Core
/	/	/	/
/	/	/	/

Auxiliary Equipment List and Details

Description	Manufacturer	Model	Serial Number
/	/	/	/

## Special Cable List and Details

Cable Description	Length (M)	Shielded/Unshielded	With Core/ Without Core
/	/	/	/

Radiated measurements were performed with rotating EUT in different three orthogonal test planes to find the maximum emission.

Test Items	Band	Bandwidth (MHz)						Modulation		RB #			Test Channel		
		1.4	3	5	10	15	20	QPSK	16QAM	1	Half	Full	L	M	H
Max.Output Power	2	v	v	v	v	v	v	v	v	v	v	v	v	v	v
	4	v	v	v	v	v	v	v	v	v	v	v	v	v	v
	5	v	v	v	v	-	-	v	v	v	v	v	v	v	v
	7	-	-	v	v	v	v	v	v	v	v	v	v	v	v
	12	v	v	v	v	-	-	v	v	v	v	v	v	v	v
	17	-	-	v	v	-	-	v	v	v	v	v	v	v	v
	25	v	v	v	v	v	v	v	v	v	v	v	v	v	v
	26	v	v	v	v	v		v	v	v	v	v	v	v	v
Peak-to-Average Ratio	2	v	v	v	v	v	v	v	v	v	v	v	v	v	v
	4	v	v	v	v	v	v	v	v	v	v	v	v	v	v
	5	v	v	v	v	-	-	v	v	v	v	v	v	v	v
	7			v	v	v	v	v	v	v	v	v	v	v	v
	12	v	v	v	v	-	-	v	v	v	v	v	v	v	v
	17			v	v			v	v	v	v	v	v	v	v
	25	v	v	v	v	v	v	v	v	v	v	v	v	v	v
	26	v	v	v	v	v		v	v	v	v	v	v	v	v
26dB and 99% Bandwidth	2	v	v	v	v	v	v	v	v	v	v	v	v	v	v
	4	v	v	v	v	v	v	v	v	v	v	v	v	v	v
	5	v	v	v	v	-	-	v	v	v	v	v	v	v	v
	7			v	v	v	v	v	v	v	v	v	v	v	v
	12	v	v	v	v	-	-	v	v	v	v	v	v	v	v
	17	-	-	v	v	-	-	v	v	v	v	v	v	v	v
	25	v	v	v	v	v	v	v	v	v	v	v	v	v	v
	26	v	v	v	v	v		v	v	v	v	v	v	v	v
Conducted Band Edge	2	v	v	v	v	v	v	v	v	v	v	v	v	-	v
	4	v	v	v	v	v	v	v	v	v	v	v	v	-	v
	5	v	v	v	v	-	-	v	v	v	v	v	v	-	v
	7			v	v	v	v	v	v	v	v	v	v	v	v
	12	v	v	v	v	-	-	v	v	v	v	v	v	v	v
	17			v	v			v	v	v	v	v	v	v	v
	25	v	v	v	v	v	v	v	v	v	v	v	v	v	v
	26	v	v	v	v	v		v	v	v	v	v	v	v	v
66	v	v	v	v	v	v	v	v	v	v	v	v	v	v	



Conducted Spurious Emission	2	v	v	v	v	v	v	v	v	v	-	-	v	v	v
	4	v	v	v	v	v	v	v	v	v	-	-	v	v	v
	5	v	v	v	v	-	-	v	v	v	-	-	v	v	v
	7			v	v	v	v	v	v	v	v	v	v	v	v
	12	v	v	v	v	-	-	v	v	v	v	v	v	v	v
	17			v	v			v	v	v	v	v	v	v	v
	25	v	v	v	v	v	v	v	v	v	v	v	v	v	v
	26	v	v	v	v	v		v	v	v	v	v	v	v	v
	66	v	v	v	v	v	v	v	v	v	v	v	v	v	v
Frequency Stability	2	v	-	-	-	-	-	v	v	v	-	-	v	v	v
	4	v	-	-	-	-	-	v	v	v	-	-	v	v	v
	5	v	-	-	-	-	-	v	v	v	-	-	v	v	v
	7	v						v	v	v	-	-	v	v	v
	12	v	-	-	-	-	-	v	v	v	-	-	v	v	v
	17	v						v	v	v	-	-	v	v	v
	25	v	-	-	-	-	-	v	v	v	-	-	v	v	v
	26	v	-	-	-	-	-	v	v	v	-	-	v	v	v
	66	v						v	v	v			v	v	v
E.R.P./ E.I.R.P.	2	v	v	v	v	v	v	v	v	v	v	v	v	v	v
	4	v	v	v	v	v	v	v	v	v	v	v	v	v	v
	5	v	v	v	v	-	-	v	v	v	v	v	v	v	v
	7			v	v			v	v	v	v	v	v	v	v
	12	v	v	v	v	-	-	v	v	v	v	v	v	v	v
	17	-	-	v	v	-	-	v	v	v	v	v	v	v	v
	25	v	v	v	v	v	v	v	v	v	v	v	v	v	v
	26	v	v	v	v	v	-	v	v	v	v	v	v	v	v
	66	v	v	v	v	v	v	v	v	v	v	v	v	v	v
Radiated Spurious Emission	2	v	-	-	-	-	-	v	v	v	-	-	v	v	v
	4	v	-	-	-	-	-	v	v	v	-	-	v	v	v
	5	v	-	-	-	-	-	v	v	v	-	-	v	v	v
	7	v						v	v	v			v	v	v
	12	v	-	-	-	-	-	v	v	v	-	-	v	v	v
	17	v						v	v	v			v	v	v
	25	v	-	-	-	-	-	v	v	v	-	-	v	v	v
	26	v	-	-	-	-	-	v	v	v	-	-	v	v	v
	66	v						v	v	v			v	v	v
Note	1.The mark "v " means that this configuration is chosen for testing 2.The mark "- " means that this bandwidth is not supported.														

#### 4.5 Support Equipment

No.	Device Type	Brand	Model	Series No.	Note
E-1	Smart Phone	OUKITEL	P1	N/A	EUT
E-2	Adapter	N/A	HJ-FC001K7-US	N/A	Auxiliary

Item	Shielded Type	Ferrite Core	Length	Note
C-1	N/A	N/A	1M	DC cable unshielded

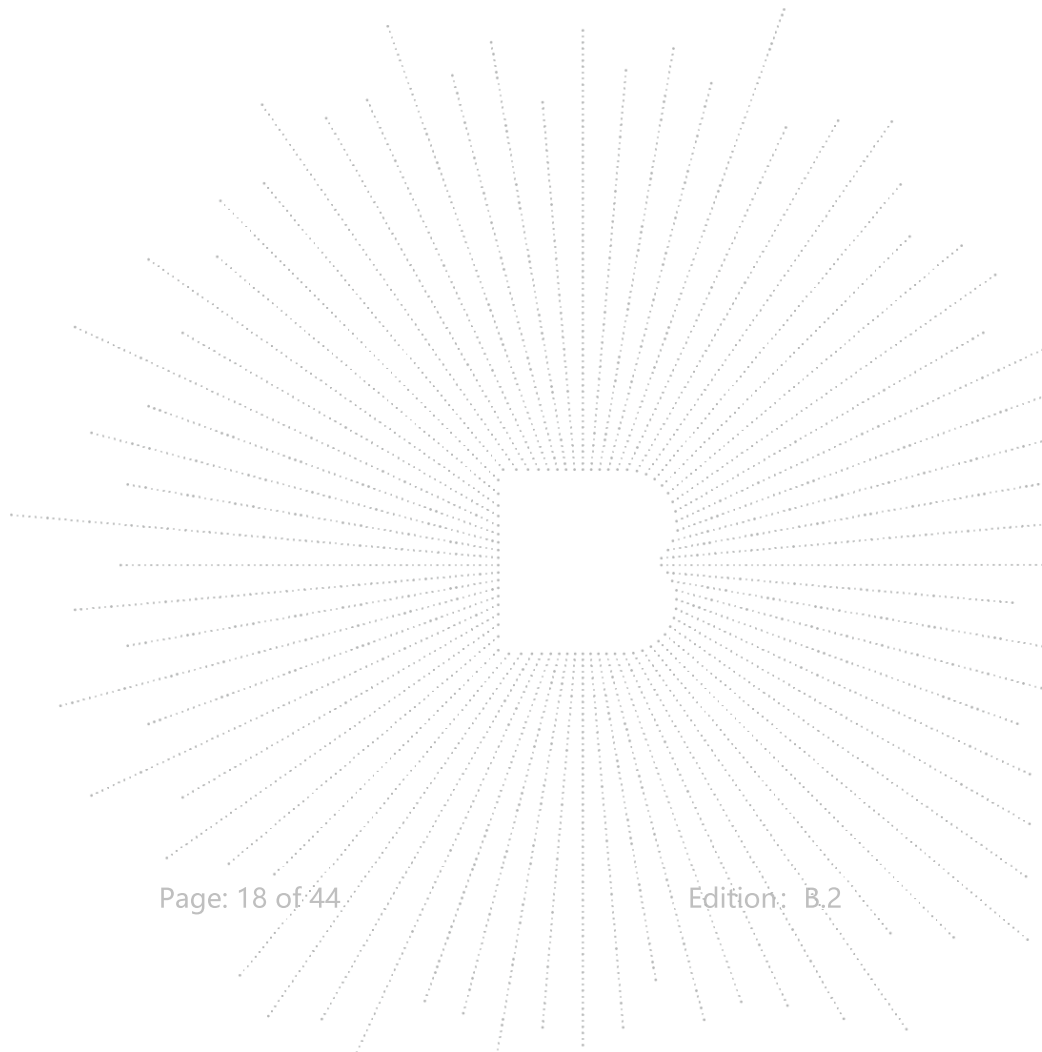
**Notes:**

1. All the equipment/cables were placed in the worst-case configuration to maximize the emission during the test.
2. Grounding was established in accordance with the manufacturer's requirements and conditions for the intended use.

#### 4.6 Measurement Results Explanation Example

For all conducted test items:

The offset level is set in the spectrum analyzer to compensate the RF cable loss and attenuator factor between RF conducted output port and spectrum analyzer. With the offset compensation, the spectrum analyzer reading level will be exactly the RF output level. The spectrum analyzer offset is derived from RF cable loss and attenuator factor. Offset = RF cable loss + attenuator factor.



## 5. Test Facility And Test Instrument Used

### 5.1 Test Facility

All measurement facilities used to collect the measurement data are located at Shenzhen BCTC Testing Co., Ltd. Address: 1-2/F., Building B, Pengzhou Industrial Park, No.158, Fuyuan 1st Road, Zhancheng, Fuhai Subdistrict, Bao'an District, Shenzhen, Guangdong, China. The site and apparatus are constructed in conformance with the requirements of ANSI C63.4 and CISPR 16-1-1 other equivalent standards.

FCC Test Firm Registration Number: 712850

A2LA certificate registration number is: CN1212

ISED Registered No.: 23583

ISED CAB identifier: CN0017

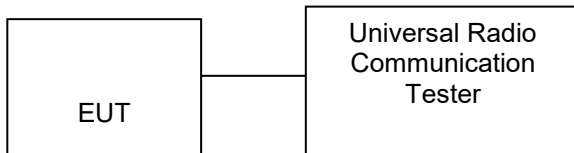
### 5.2 Test Instrument Used

RF Conducted Test					
Equipment	Manufacturer	Model#	Serial#	Last Cal.	Next Cal.
Power meter	Keysight	E4419	\	May 16, 2024	May 15, 2025
Power Sensor (AV)	Keysight	E9300A	\	May 16, 2024	May 15, 2025
Signal Analyzer20kHz-26.5GHz	Keysight	N9020A	MY49100060	May 16, 2024	May 15, 2025
Spectrum Analyzer9kHz-40GHz	R&S	FSP40	100363	May 16, 2024	May 15, 2025
Communication test set	R&S	CMW500	126173	Nov. 13. 2023	Nov. 12, 2024
Radio frequency control box	MAIWEI	MW200-RFC B	\	\	\
Software	MAIWEI	MTS 8200	\	\	\

## 6. Effective Radiated Power and Effective Isotropic Radiated Power Measurement

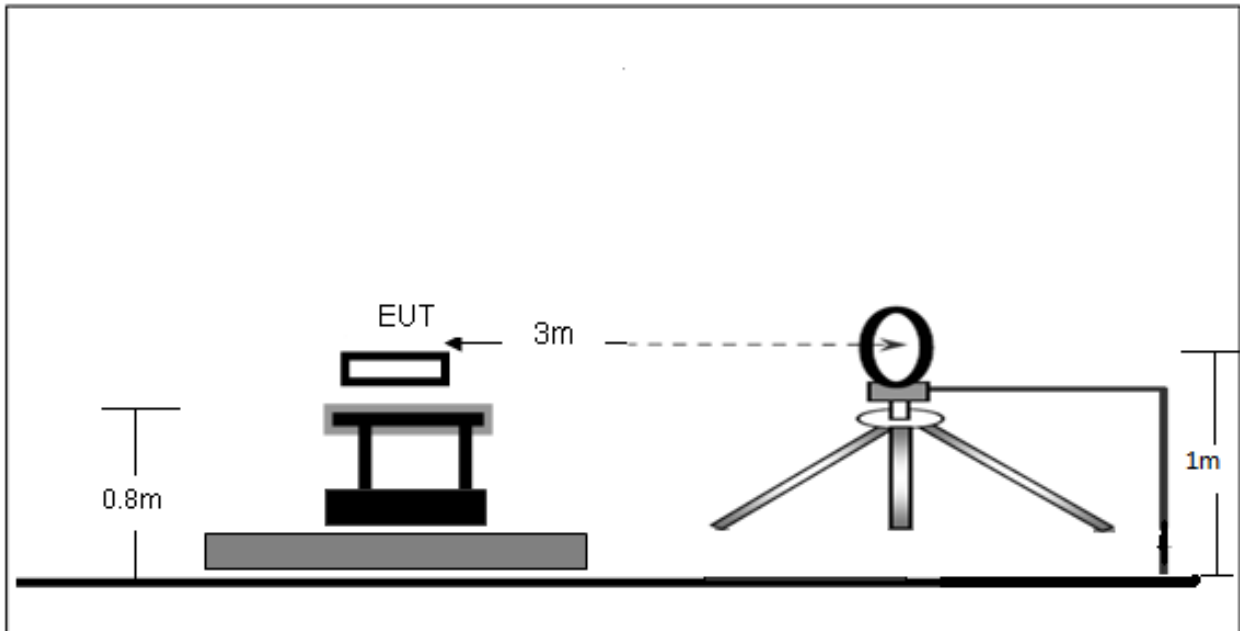
### 6.1 Block Diagram Of Test Setup

Conducted output power test method:

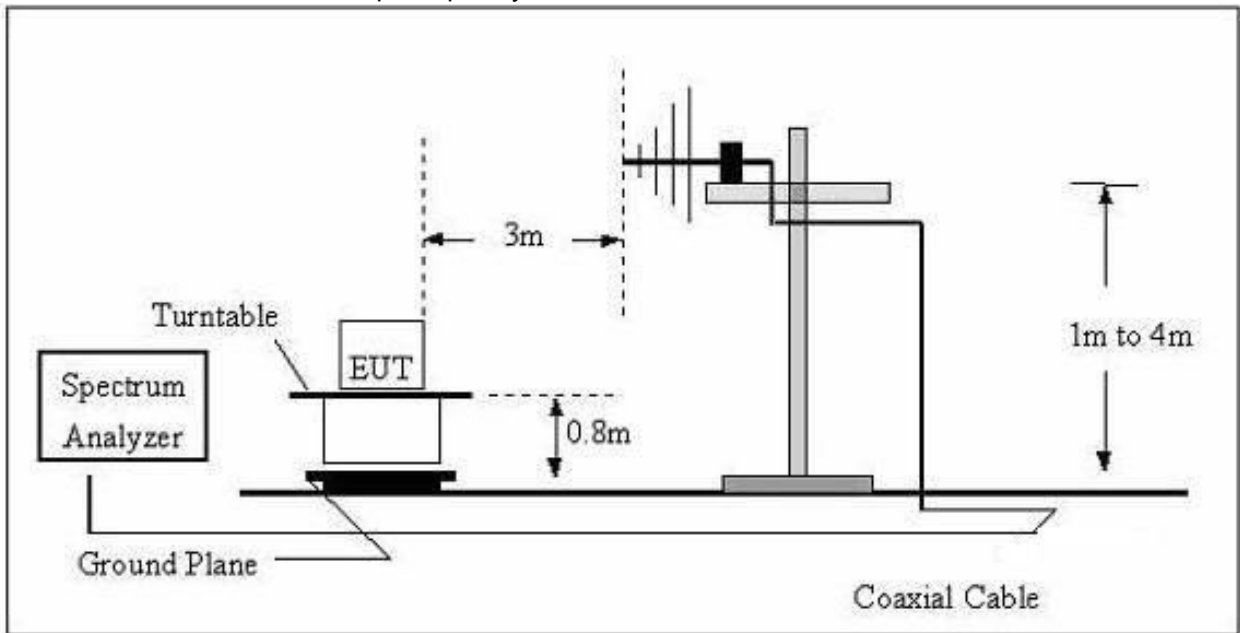


Radiated power test method:

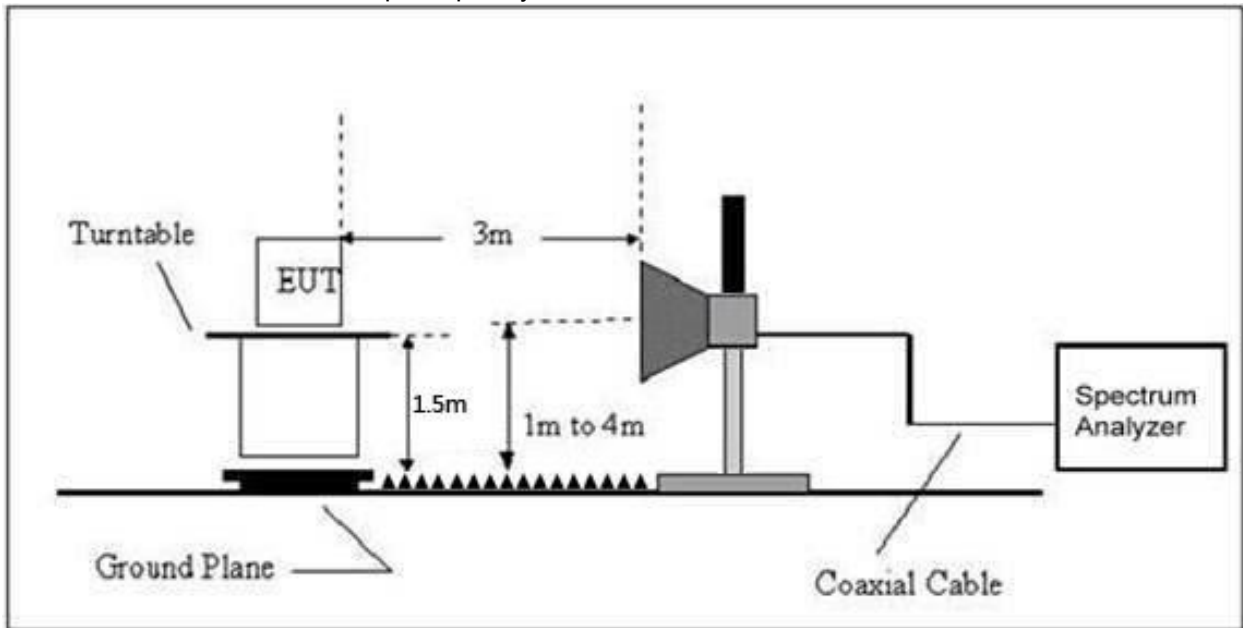
(A) Radiated Emission Test-Up Frequency Below 30MHz



(B) Radiated Emission Test-Up Frequency 30MHz~1GHz



(C) Radiated Emission Test-Up Frequency Above 1GHz



## 6.2 Limit

According to FCC section 22.913(a) (5), the Effective Radiated Power (ERP) of mobile transmitters and auxiliary test transmitters must not exceed 7 watts.

According to FCC section 24.232(c), mobile and portable stations are limited to 2 watts EIRP and the equipment must employ a means for limiting power to the minimum necessary for successful communications.

According to FCC section 27.50(a) (3), for mobile and portable stations transmitting in the 2305-2315MHz band or the 2350-2360MHz band, the average EIRP must not exceed 50 milliwatts within any 1 megahertz of authorized bandwidth, except that for mobile and portable stations compliant with 3GPP LTE standards.

FCC section 27.50(b) (10), portable stations (hand-held devices) transmitting in the 746-757MHz, 776-788MHz, and 805-806MHz bands are limited to 3 watts ERP.

FCC section 27.50(c) (10), portable stations (hand-held devices) in the 600MHz uplink band and the 698-746MHz band, and fixed and mobile stations in the 600MHz uplink band are limited to 3 watts ERP.

FCC section 27.50(d) (4), fixed, mobile, and portable (hand-held) stations operating in the 1710-1755 MHz band and mobile and portable stations operating in the 1695-1710 MHz and 1755-1780 MHz bands are limited to 1 watt EIRP. Fixed stations operating in the 1710-1755 MHz band are limited to a maximum antenna height of 10 meters above ground. Mobile and portable stations operating in these bands must employ a means for limiting power to the minimum necessary for successful communications.

(7) Fixed, mobile, and portable (hand-held) stations operating in the 2000-2020 MHz band are limited to 2 watts EIRP.

And FCC section 27.50(h) (2), for mobile and other user stations, mobile stations are limited to 2.0 watts EIRP. All user stations are limited to 2.0 watts transmitter output power.

According to FCC section 90.635(b), the maximum output power of the transmitter for mobile stations is 100 watts (20dBW).

According to FCC section 90.542(a) (7), portable stations (hand-held devices) transmitting in the 758-768 MHz band and the 788-798 MHz band are limited to 3 watts ERP.

### 6.3 Test procedure

#### Description of the Conducted Output Power Measurement

The EUT is coupled to the SS with attenuator through power splitter; the RF load attached to EUT antenna terminal is 50Ohm; the path loss as the factor is calibrated to correct the reading. A system simulator is used to establish communication with the EUT, and its parameters are set to force the EUT transmitting at maximum output power. The measured power in the radio frequency on the transmitter output terminals shall be reported.

The relevant equation for determining the conducted measured value is:

$$\text{Conducted Output Power Value (dBm)} = \text{Measured Value (dBm)} + \text{Path Loss (dB)}$$

where:

Conducted Output Power Value = final conducted measured value in the conducted power test, in dBm;  
Measured Value = measured conducted power received by spectrum analyzer or power meter, in dBm;  
Path Loss = signal attenuation in the connecting cable between the transmitter and spectrum analyzer or power meter, including external cable loss, in dB;

During the test, the data of Path Loss (dB) is added in the spectrum analyzer or power meter, so Measured Value (dBm) is the final values which contains the data of Path Loss (dB).

For example:

In the conducted output power test, when measured value for GSM850 is 24.7 dBm, and path loss is 8.5 dB, then final conducted output power value is:

$$\text{Conducted Output Power Value (dBm)} = 24.7 \text{ dBm} + 8.5 \text{ dB} = 33.2 \text{ dBm}$$

#### Description of the Transmitter Radiated Power Measurement

In many cases, the RF output power limits for licensed digital transmission devices is specified in terms of effective radiated power (ERP) or equivalent isotropic radiated power (EIRP). Typically, ERP is specified when the operating frequency is less than or equal to 1 GHz and EIRP is specified when the operating frequency is greater than 1 GHz. Both are determined by adding the transmit antenna gain to the conducted RF output power with the primary difference between the two being that when determining the ERP, the transmit antenna gain is referenced to a dipole antenna (i.e., dBd) whereas when determining the EIRP, the transmit antenna gain is referenced to an isotropic antenna (dBi).

Final measurement calculation as below:

The relevant equation for determining the ERP or EIRP from the conducted RF output power measured using the guidance provided above is:

$$\text{ERP/EIRP} = \text{PMeas} + \text{GT} - \text{LC}$$

where:

ERP/EIRP = effective or equivalent radiated power, respectively (expressed in the same units as PMeas, typically dBW or dBm);

PMeas = measured transmitter output power or PSD, in dBm or dBW; GT = gain of the transmitting antenna, in dBd (ERP) or dBi (EIRP); dBd (ERP)=dBi (EIRP) -2.15 dB

LC = signal attenuation in the connecting cable between the transmitter and antenna, in dB.

For devices utilizing multiple antennas, KDB 662911 provides guidance for determining the effective array transmit antenna gain term to be used in the above equation.

For example:

In the EIRP test, when P<sub>Meas</sub> value for GSM1900 is 30.2 dBm, LC is 0.6 dB, and GT is -3.4 dB, then final EIRP value is:

$$\text{EIRP for GSM1900} = 30.2 \text{ dBm} - 3.4 \text{ dBi} - 0.6 \text{ dB} = 26.2 \text{ dBm}$$

The relevant equation for determining the ERP/EIRP from the radiated RF output power is:

$$\text{ERP/EIRP (dBm)} = \text{SA Read Value (dBm)} + \text{Correction Factor (dB)}$$

where:

ERP/EIRP = effective or equivalent radiated power, in dBm;

SA Read Value = measured transmitter power received by EMI receiver or spectrum analyzer, in dBm;

Correction Factor = total correction factor including cable loss, in dB;

During the test, the data of Correction Factor (dB) is added in the EMI receiver or spectrum analyzer, so SA Read Value (dBm) is the final values which contains the data of Correction Factor (dB).

For example:

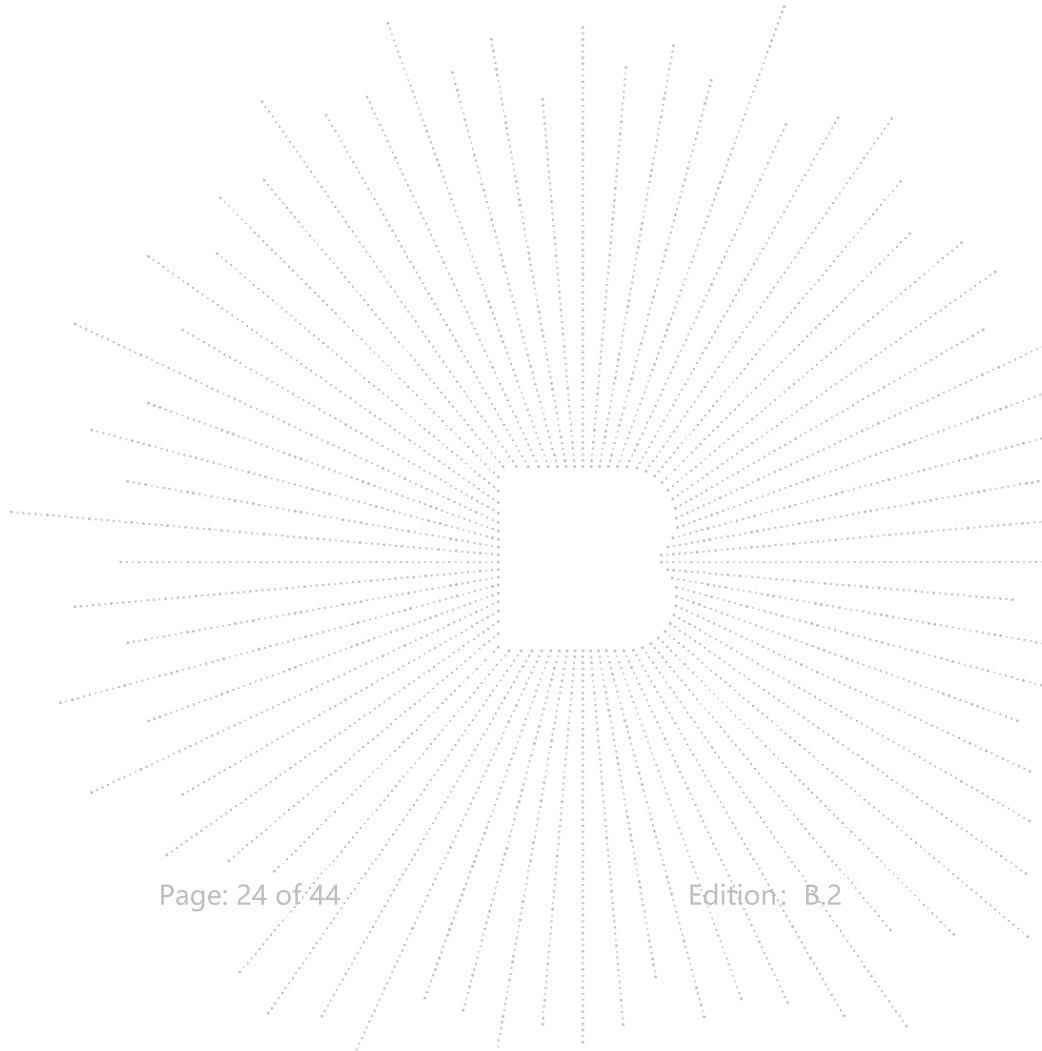
In the ERP test, when SA read value for GSM850 is 21dBm, and correction factor is 8dB, then final ERP value for GSM850 is:

$$\text{ERP (dBm)} = 21\text{dBm} + 8\text{dB} = 29\text{dBm}$$

## 6.4 Test Result

Please refer to appendix 1.

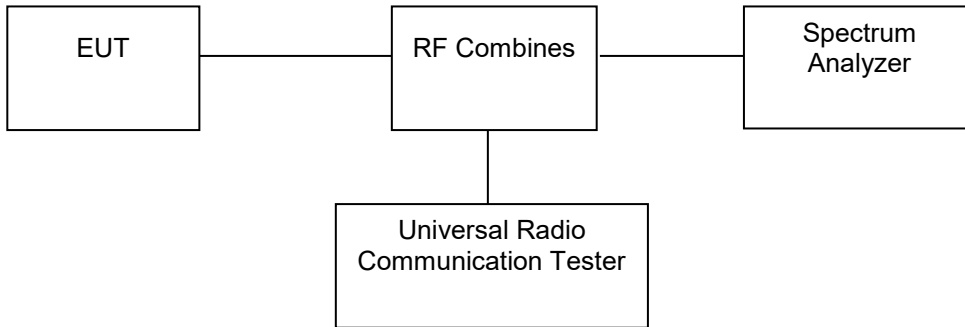
Test Result: Pass





## 7. Peak-To-Average Ratio(PAR) Of Transmitter

### 7.1 Block Diagram Of Test Setup



### 7.2 Limit

FCC § 2.1046 & 24.232(d) & 27.50(d)

In addition, when the transmitter power is measured in terms of average value, the peak-to-average power ratio (PAPR) of the transmitter shall not exceed 13 dB for more than 0.1% of the time using a signal corresponding to the highest PAPR during periods of continuous transmission.

According to FCC section 24.232(d), power measurements for transmissions by stations authorized under this section may be made either in accordance with a Commission-approved average power technique or in compliance with 24.232 (e) of this section. In both instances, equipment employed must be authorized in accordance with the provisions of § 24.51. In measuring transmissions in this band using an average power technique, the peak-to-average ratio (PAR) of the transmission may not exceed 13 dB.

FCC section 24.232(e)), peak transmit power must be measured over any interval of continuous transmission using instrumentation calibrated in terms of an rms equivalent voltage. The measurement results shall be properly adjusted for any instrument limitations, such as detector response times, limited resolution bandwidth capability when compared to the emission bandwidth, sensitivity, etc., so as to obtain a true peak measurement for the emission in question over the full bandwidth of the channel.

According to FCC section 27.50(d) (5); in measuring transmissions in this band using an average power technique, the peak-to-average ratio (PAR) of the transmission may not exceed 13dB.

### 7.3 Test procedure

Here the lowest, middle and highest channels are selected to perform testing to verify the peak-to-average ratio.

According to KDB 971168 D01, there is CCDF procedure for PAPR:

Refer to instrument's analyzer instruction manual for details on how to use the power statistics/CCDF function;

Set resolution/measurement bandwidth  $\geq$  signal's occupied bandwidth;

Set the number of counts to a value that stabilizes the measured CCDF curve;

Set the measurement interval as follows:

- 1)for continuous transmissions, set to 1 ms,
- 2)for burst transmissions, employ an external trigger that is synchronized with the EUT burst timing sequence, or use the internal burst trigger with a trigger level that allows the burst to stabilize and set the measurement interval to a time that is less than or equal to the burst duration.

Record the maximum PAPR level associated with a probability of 0.1%.

Alternate procedure for PAPR:

Use one of the procedures presented in 4.1 to measure the total peak power and record as P<sub>Pk</sub>. Use one of the applicable procedures presented 4.2 to measure the total average power and record as P<sub>Avg</sub>. Both the peak and average power levels must be expressed in the same logarithmic units (e.g., dBm). Determine the PAPR from:

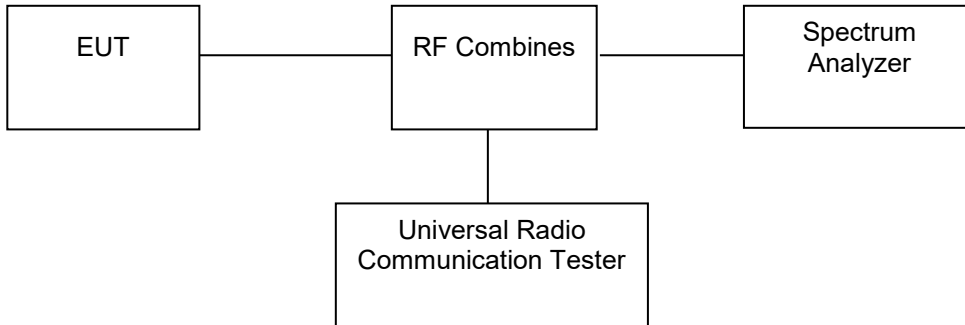
$$\text{PAPR (dB)} = \text{P}_{Pk} \text{ (dBm)} - \text{P}_{Avg} \text{ (dBm)}.$$

## 7.4 Test Result

Please refer to Appendix 3: Peak-to-Average Ratio  
Test Result: Pass

## 8. Emission Bandwidth

### 8.1 Block Diagram Of Test Setup



### 8.2 Standard Applicable

According to §22.917(b), The emission bandwidth is defined as the width of the signal between two points, one below the carrier center frequency and one above the carrier center frequency, outside of which all emissions are attenuated at least 26 dB below the transmitter power.

According to §24.238(b), The emission bandwidth is defined as the width of the signal between two points, one below the carrier center frequency and one above the carrier center frequency, outside of which all emissions are attenuated at least 26 dB below the transmitter power.

According to §27.53, The emission bandwidth is defined as the width of the signal between two points, one below the carrier center frequency and one above the carrier center frequency, outside of which all emissions are attenuated at least 26 dB below the transmitter power.

According to §90.209, The emission bandwidth is defined as the width of the signal between two points, one below the carrier center frequency and one above the carrier center frequency, outside of which all emissions are attenuated at least 26 dB below the transmitter power.

### 8.3 Test procedure

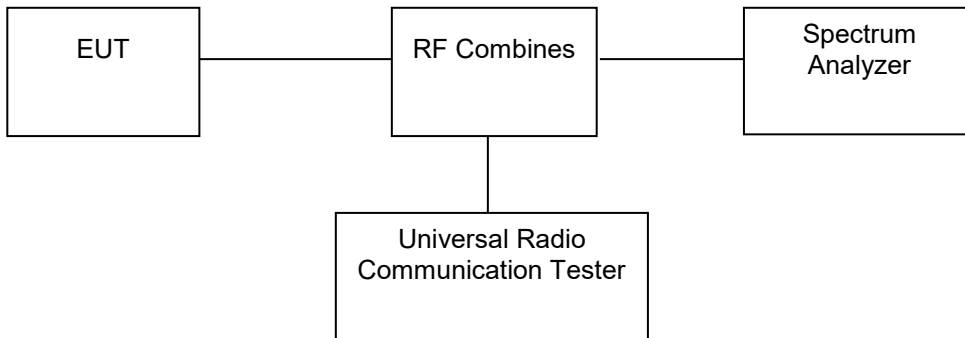
1. The testing follows FCC KDB 971168 D01v03 Section 4.2.
2. The EUT was connected to the spectrum analyzer and system simulator via a power divider.
3. The RF output of the EUT was connected to the spectrum analyzer by RF cable and attenuator. The path loss was compensated to the results for each measurement.
4. The 99% occupied bandwidth were measured, set RBW= 1% of OBW, VBW= 3\*RBW, sample detector, trace maximum hold.
5. The 26dB bandwidth were measured, set RBW= 1% of EBW, VBW= 3\*RBW, peak detector, trace maximum hold.

### 8.4 Test Result

Please refer to Appendix 4: Occupied BandWidth  
Test Result: Pass

## 9. Out of Band Emissions at Antenna Terminal

### 9.1 Block Diagram Of Test Setup



### 9.2 Limit

FCC § 2.1051 & 22.917(a) & 24.238(a) & 27.53(a) & 27.53(c) & 27.53(f) & 27.53(g) & 27.53(h) & 27.53(m) ; & 90.691& 90.543

In the 1 MHz bands immediately outside and adjacent to the frequency block, a resolution bandwidth of at least one percent of the emission bandwidth of the fundamental emission of the transmitter may be employed.

The emission bandwidth is defined as the width of the signal between two points, one below the carrier center frequency and one above the carrier center frequency, outside of which all emissions are attenuated at least 26 dB below the transmitter power.

FCC § 22.917(a) & 24.238(a)

The power of any emission outside of the authorized operating frequency ranges must be attenuated below the transmitting power (P) by a factor of at least  $43 + 10 \log(P)$  dB. This is calculated to be -13 dBm.

FCC § 27.53(c)

For operations in the 746–758 MHz band and the 776–788 MHz band, the power of any emission outside the licensee's frequency band(s) of operation shall be attenuated below the transmitter power (P) within the licensed band(s) of operation, measured in watts, in accordance with the following:

- (1) On any frequency outside the 746–758 MHz band, the power of any emission shall be attenuated outside the band below the transmitter power (P) by at least  $43 + 10 \log(P)$  dB;
- (2) On any frequency outside the 776–788 MHz band, the power of any emission shall be attenuated outside the band below the transmitter power (P) by at least  $43 + 10 \log(P)$  dB;
- (3) On all frequencies between 763–775 MHz and 793–805 MHz, by a factor not less than  $76 + 10 \log(P)$  dB in a 6.25 kHz band segment, for base and fixed stations;
- (4) On all frequencies between 763–775 MHz and 793–805 MHz, by a factor not less than  $65 + 10 \log(P)$  dB in a 6.25 kHz band segment, for mobile and portable stations;

(5) Compliance with the provisions of paragraphs (c)(1) and (c)(2) of this section is based on the use of measurement instrumentation employing a resolution bandwidth of 100 kHz or greater.

However, in the 100 kHz bands immediately outside and adjacent to the frequency block, a resolution bandwidth of at least 30 kHz may be employed;

(6) Compliance with the provisions of paragraphs (c)(3) and (c)(4) of this section is based on the use of measurement instrumentation such that the reading taken with any resolution bandwidth setting should be adjusted to indicate spectral energy in a 6.25 kHz segment.

FCC § 27.53(g)

For operations in the 600MHz band and the 698-746MHz band, the power of any emission outside a licensee's frequency band(s) of operation shall be attenuated below the transmitter power (P) within the licensed band(s) of operation, measured in watts, by at least  $43+10\log(P)$  dB. Compliance with this provision is based on the use of measurement instrumentation employing a resolution bandwidth of 100 kHz bands immediately outside and adjacent to a licensee's frequency block, a resolution bandwidth of at least 30 kHz may be employed.

FCC § 27.53(h) (1)

Except as otherwise specified below, for operations in the 1695-1710 MHz, 1710-1755 MHz, 1755-1780 MHz, 1915-1920 MHz, 1995-2000 MHz, 2000-2020 MHz, 2110-2155 MHz, 2155-2180 MHz, and 2180-2200 bands, the power of any emission outside a licensee's frequency block shall be attenuated below the transmitter power (P) in watts by at least  $43 + 10 \log_{10} (P)$  dB.

FCC § 27.53(m) (4)

For mobile digital stations (BRS and EBS stations), the attenuation factor shall be not less than:

- $40+10\log P$  dB (-10 dBm, 100 nW) on all frequencies between the channel edge and 5 MHz from the channel edge.
- $43+10\log P$  dB (-13 dBm, 50 nW) on all frequencies between 5 MHz and X MHz from the channel edge,
- $55+10\log P$  dB (-25 dBm, 3 nW) on all frequencies more than X MHz from the channel edge, where X is the greater of 6 MHz or the actual emission bandwidth (26 dB).

In addition, the attenuation factor shall not be less than  $43 + 10 \log (P)$  dB on all frequencies between 2490.5 MHz and 2496 MHz and  $55 + 10 \log (P)$  dB at or below 2490.5 MHz. Mobile Satellite Service licensees operating on frequencies below 2495 MHz may also submit a documented interference complaint against BRS licensees operating on channel BRS Channel 1 on the same terms and conditions as adjacent channel BRS or EBS licensees.

EBS licensees. FCC § 90.691

Total or partial reproduction of this document without permission of the Laboratory is not allowed. Page 34 of 65

BTF Testing Lab (Shenzhen) Co., Ltd.

F101, 201 and 301, Building 1, Block 2, Tantou Industrial Park, Tantou Community, Songgang Street, Bao'an District, Shenzhen, China

(a) Out-of-band emission requirement shall apply only to the "outer" channels included in an EA license and to spectrum adjacent to interior channels used by incumbent licensees. The emission limits are as follows:

(1) For any frequency removed from the EA licensee's frequency block by up to and including 37.5 kHz, the power of any emission shall be attenuated below the transmitter power (P) in watts by at least  $116 \log_{10}(f/6.1)$  decibels or  $50 + 10 \log_{10}(P)$  decibels or 80 decibels, whichever is the lesser attenuation, where f is the frequency removed from the center of the outer channel in the block in kilohertz and where f is greater than 12.5 kHz.

(2) For any frequency removed from the EA licensee's frequency block greater than 37.5 kHz, the power of any emission shall be attenuated below the transmitter power (P) in watts by at least  $43 + 10 \log_{10}(P)$  decibels or 80 decibels, whichever is the lesser attenuation, where f is the frequency removed from the center of the outer channel in the block in kilohertz and where f is greater than 37.5 kHz.

(b) When an emission outside of the authorized bandwidth causes harmful interference, the Commission may, at its discretion, require greater attenuation than specified in this section.

FCC § 90.543

(e) For operations in the 758–768 MHz and the 788–798 MHz bands, the power of any emission outside the licensee’s frequency band(s) of operation shall be attenuated below the transmitter power (P) within the licensed band(s) of operation, measured in watts, in accordance with the following:

(1) On all frequencies between 769–775 MHz and 799–805 MHz, by a factor not less than  $76 + 10 \log (P)$  dB in a

6.25 kHz band segment, for base and fixed stations.

(2) On all frequencies between 769–775 MHz and 799–805 MHz, by a factor not less than  $65 + 10 \log (P)$  dB in a

6.25 kHz band segment, for mobile and portable stations.

(3) On any frequency between 775–788 MHz, above 805 MHz, and below 758 MHz, by at least  $43 + 10 \log (P)$  dB.

(4) Compliance with the provisions of paragraphs (e)(1) and (2) of this section is based on the use of measurement instrumentation such that the reading taken with any resolution bandwidth setting should be adjusted to indicate spectral energy in a 6.25 kHz segment.

(f) For operations in the 758–775 MHz and 788–805 MHz bands, all emissions including harmonics in the band 1559– 1610 MHz shall be limited to -70 dBW/ MHz equivalent isotropically radiated power (EIRP) for wideband signals, and -80 dBW EIRP for discrete emissions of less than 700 Hz bandwidth. For the purpose of equipment authorization, a transmitter shall be tested with an antenna that is representative of the type that will be used with the equipment in normal operation.

### 9.3 Test procedure

The RF output terminal of the transmitter was connected to the input of the spectrum analyzer via a suitable attenuation. The RBW of the spectrum analyzer was set to 100kHz and 1MHz for the scan frequency from 30MHz to 1GHz and the scan frequency from 1GHz to up to 10<sup>th</sup> harmonic.

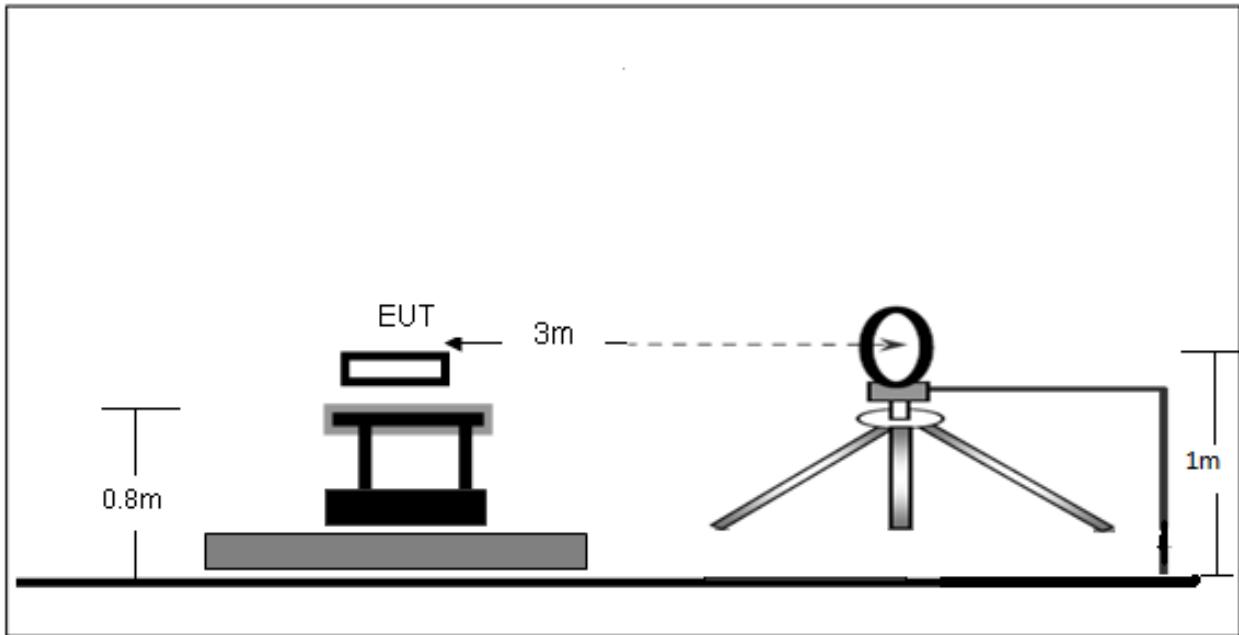
### 9.4 Test Result

Please refer to Appendix 5: Band Edge & Appendix 6: Out-of-band Emissions  
Test Result: Pass

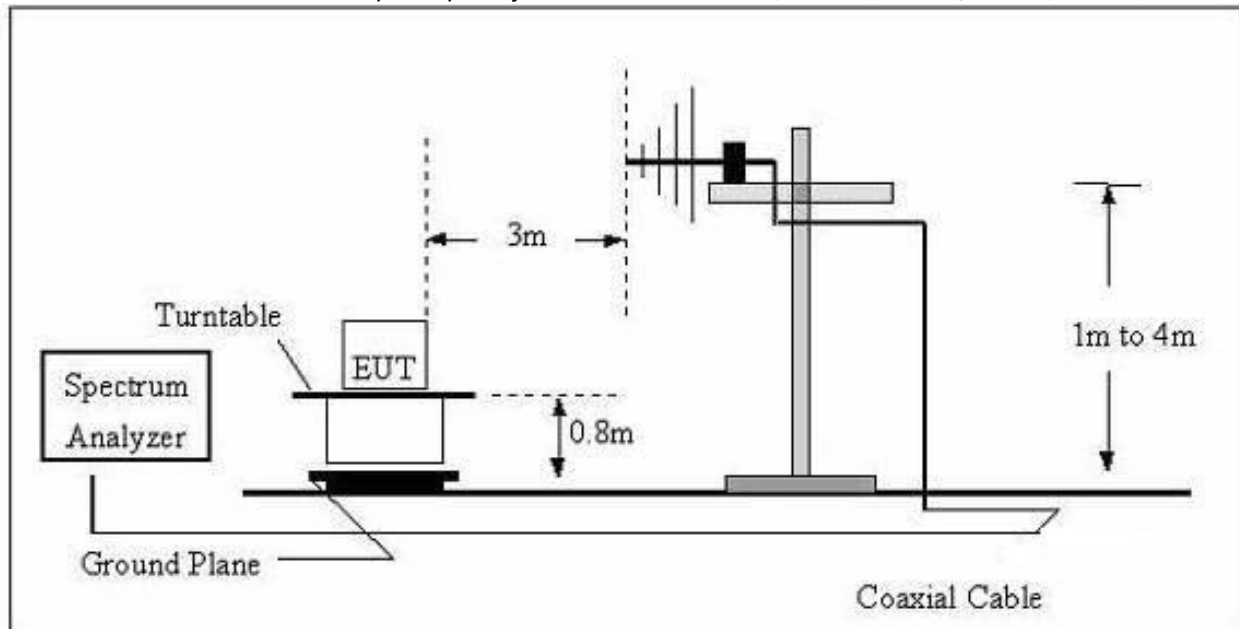
## 10. Spurious Radiated Emissions

### 10.1 Block Diagram Of Test Setup

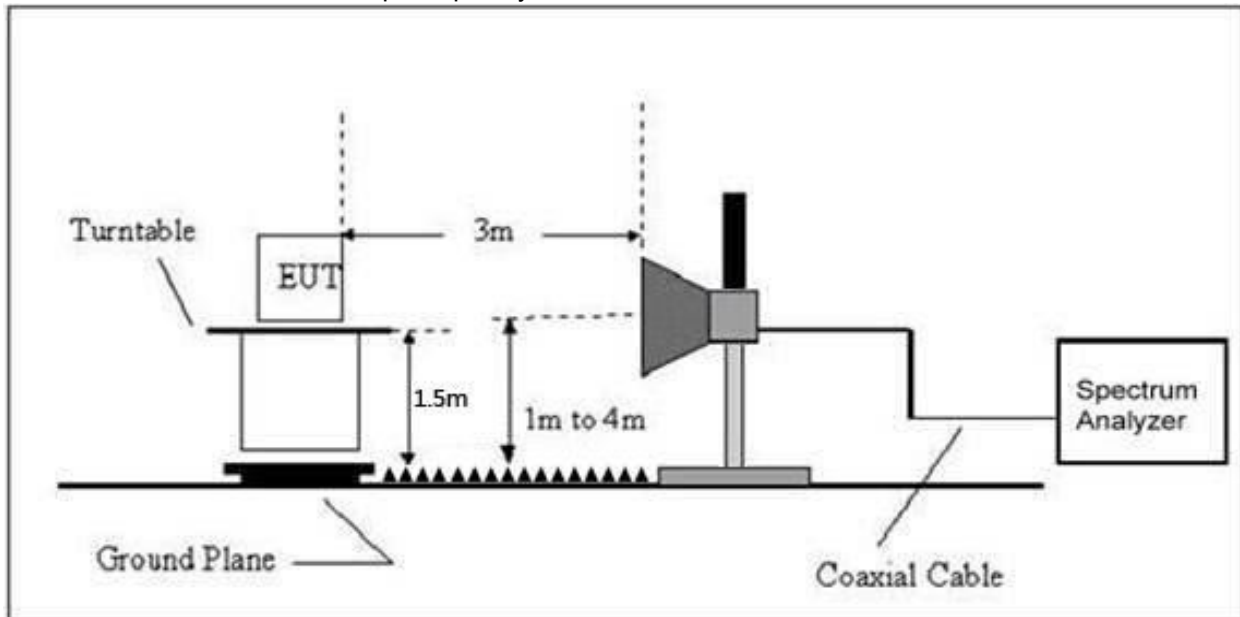
(A) Radiated Emission Test-Up Frequency Below 30MHz



(B) Radiated Emission Test-Up Frequency 30MHz~1GHz



## (C) Radiated Emission Test-Up Frequency Above 1GHz



## 10.2 Limit

FCC § 2.1053 & 22.917(a) & 24.238(a) & 27.53(a) & 27.53(c) & 27.53(f) & 27.53(g) & 27.53(h) & 27.53(m) ;

FCC § 22.917(a) & 24.238(a) & FCC § 90.691 & FCC § 90.543

The power of any emission outside of the authorized operating frequency ranges must be attenuated below the transmitting power (P) by a factor of at least  $43+10*\log(P)$  dB. This is calculated to be -13 dBm.

FCC § 27.53(g)

For operations in the 600MHz band and the 698-746MHz band, the power of any emission outside a licensee's frequency band(s) of operation shall be attenuated below the transmitter power (P) within the licensed band(s) of operation, measured in watts, by at least  $43+10*\log(P)$  dB. Compliance with this provision is based on the use of measurement instrumentation employing a resolution bandwidth of 100 kHz bands immediately outside and adjacent to a licensee's frequency block, a resolution bandwidth of at least 30 kHz may be employed.

FCC § 27.53(h) (1)

Except as otherwise specified below, for operations in the 1695-1710 MHz, 1710-1755 MHz, 1755-1780 MHz, 1915-1920 MHz, 1995-2000 MHz, 2000-2020 MHz, 2110-2155 MHz, 2155-2180 MHz, and 2180-2200 bands,

the power of any emission outside a licensee's frequency block shall be attenuated below the transmitter power

(P) in watts by at least  $43 + 10 \log_{10} (P)$  dB. FCC § 27.53(m) (4)

For mobile digital stations (BRS and EBS stations), the attenuation factor shall be not less than:

- $40+10\log P$  dB (-10 dBm, 100 nW) on all frequencies between the channel edge and 5 MHz from the channel edge.
- $43+10\log P$  dB (-13 dBm, 50 nW) on all frequencies between 5 MHz and X MHz from the channel edge,



• $55+10\log P$  dB (-25 dBm, 3 nW) on all frequencies more than X MHz from the channel edge, where X is the greater of 6 MHz or the actual emission bandwidth (26 dB).

In addition, the attenuation factor shall not be less than  $43 + 10 \log (P)$  dB on all frequencies between 2490.5 MHz and 2496 MHz and  $55 + 10 \log (P)$  dB at or below 2490.5 MHz. Mobile Satellite Service licensees operating on frequencies below 2495 MHz may also submit a documented interference complaint against BRS licensees operating on channel BRS Channel 1 on the same terms and conditions as adjacent channel BRS or EBS licensees.

#### FCC § 90.691

(a) Out-of-band emission requirement shall apply only to the “outer” channels included in an EA license and to spectrum adjacent to interior channels used by incumbent licensees. The emission limits are as follows:

(1) For any frequency removed from the EA licensee's frequency block by up to and including 37.5 kHz, the power of any emission shall be attenuated below the transmitter power (P) in watts by at least  $116 \log_{10}(f/6.1)$  decibels or  $50 + 10 \log_{10}(P)$  decibels or 80 decibels, whichever is the lesser attenuation, where f is the frequency removed from the center of the outer channel in the block in kilohertz and where f is greater than 12.5 kHz.

(2) For any frequency removed from the EA licensee's frequency block greater than 37.5 kHz, the power of any emission shall be attenuated below the transmitter power (P) in watts by at least  $43 + 10 \log_{10}(P)$  decibels or 80

decibels, whichever is the lesser attenuation, where f is the frequency removed from the center of the outer channel in the block in kilohertz and where f is greater than 37.5 kHz.

(b) When an emission outside of the authorized bandwidth causes harmful interference, the Commission may, at its discretion, require greater attenuation than specified in this section.

#### FCC § 90.543

(e) For operations in the 758–768 MHz and the 788–798 MHz bands, the power of any emission outside the licensee's frequency band(s) of operation shall be attenuated below the transmitter power (P) within the licensed band(s) of operation, measured in watts, in accordance with the following:

(1) On all frequencies between 769–775 MHz and 799–805 MHz, by a factor not less than  $76 + 10 \log (P)$  dB in a

6.25 kHz band segment, for base and fixed stations.

(2) On all frequencies between 769–775 MHz and 799–805 MHz, by a factor not less than  $65 + 10 \log (P)$  dB in a

6.25 kHz band segment, for mobile and portable stations.

(3) On any frequency between 775–788 MHz, above 805 MHz, and below 758 MHz, by at least  $43 + 10 \log (P)$  dB.

(4) Compliance with the provisions of paragraphs (e)(1) and (2) of this section is based on the use of measurement instrumentation such that the reading taken with any resolution bandwidth setting should be adjusted to indicate spectral energy in a 6.25 kHz segment.

### 10.3 Test procedure

1. The setup of EUT is according with per ANSI/TIA Standard 603D and ANSI C63.4-2014 measurement procedure.
2. The measurement antenna was placed at a distance of 3 meters from the EUT. During the tests, the antenna height and polarization as well as EUT azimuth were varied in order to identify the maximum level of emissions from the EUT. The test was performed by placing the EUT on 3-orthogonal axis.
3. The frequency range up to tenth harmonic of the fundamental frequency was investigated.
4. Remove the EUT and replace it with substitution antenna. A signal generator was connected to the substitution antenna by a non-radiating cable. The absolute levels of the spurious emissions were measured by the substitution.

## 10.4 Test Result

For FDD-LTE Band 2 Mode

Frequency (MHz)	Reading (dBm)	Correct dB	Result (dBm)	Limit (dBm)	Margin (dB)	Polar H/V
Low Channel (1852.5MHz)						
88.52	-14.07	-30.60	-44.67	-13.00	-31.67	H
3705.00	-19.55	-22.19	-41.74	-13.00	-28.74	H
5557.50	-25.15	-19.32	-44.47	-13.00	-31.47	H
88.52	-11.86	-30.60	-42.46	-13.00	-29.46	V
3705.00	-19.43	-22.19	-41.62	-13.00	-28.62	V
5557.50	-25.01	-19.32	-44.33	-13.00	-31.33	V
Middle Channel (1880MHz)						
88.52	-14.62	-30.60	-45.22	-13.00	-32.22	H
3760.00	-20.26	-22.08	-42.34	-13.00	-29.34	H
5640.00	-25.82	-19.28	-45.10	-13.00	-32.10	H
88.52	-11.34	-30.60	-41.94	-13.00	-28.94	V
3760.00	-18.65	-22.08	-40.73	-13.00	-27.73	V
5640.00	-25.47	-19.28	-44.75	-13.00	-31.75	V
High Channel (1907.5MHz)						
88.52	-14.89	-30.60	-45.49	-13.00	-32.49	H
3815.00	-18.87	-21.97	-40.84	-13.00	-27.84	H
5722.50	-25.51	-19.24	-44.75	-13.00	-31.75	H
88.52	-12.23	-30.60	-42.83	-13.00	-29.83	V
3815.00	-18.34	-21.97	-40.31	-13.00	-27.31	V
5722.50	-26.05	-19.24	-45.29	-13.00	-32.29	V

For FDD-LTE Band 4 Mode

Frequency (MHz)	Reading (dBm)	Correct dB	Result (dBm)	Limit (dBm)	Margin (dB)	Polar H/V
Low Channel (1710.7MHz)						
88.52	-12.71	-30.60	-43.31	-13.00	-30.31	H
3421.40	-24.86	-22.76	-47.62	-13.00	-34.62	H
5132.10	-31.67	-19.53	-51.20	-13.00	-38.20	H
88.52	-12.96	-30.60	-43.56	-13.00	-30.56	V
3421.40	-29.03	-22.76	-51.79	-13.00	-38.79	V
5132.10	-28.92	-19.53	-48.45	-13.00	-35.45	V
Middle Channel (1732.5MHz)						
88.52	-11.35	-30.60	-41.95	-13.00	-28.95	H
3465.00	-27.01	-22.67	-49.68	-13.00	-36.68	H
5197.50	-31.11	-19.51	-50.62	-13.00	-37.62	H
88.52	-11.66	-30.60	-42.26	-13.00	-29.26	V
3465.00	-30.00	-22.67	-52.67	-13.00	-39.67	V
5197.50	-31.22	-19.51	-50.73	-13.00	-37.73	V
High Channel (1754.3MHz)						
88.52	-13.67	-30.60	-44.27	-13.00	-31.27	H
3508.60	-24.04	-14.99	-39.03	-13.00	-26.03	H
5262.90	-30.01	-9.95	-39.96	-13.00	-26.96	H
88.52	-11.25	-30.60	-41.85	-13.00	-28.85	V
3508.60	-29.68	-14.99	-44.67	-13.00	-31.67	V
5262.90	-29.28	-9.95	-39.23	-13.00	-26.23	V

## For FDD-LTE Band 5 Mode

Frequency (MHz)	Reading (dBm)	Correct dB	Result (dBm)	Limit (dBm)	Margin (dB)	Polar H/V
Low Channel (824.7MHz)						
88.52	-11.30	-30.60	-41.90	-13.00	-28.90	H
1649.40	-27.04	-27.37	-54.41	-13.00	-41.41	H
2474.10	-29.43	-25.18	-54.61	-13.00	-41.61	H
88.52	-11.65	-30.60	-42.25	-13.00	-29.25	V
1649.40	-29.56	-27.37	-56.93	-13.00	-43.93	V
2474.10	-29.30	-25.18	-54.48	-13.00	-41.48	V
Middle Channel (836.5MHz)						
88.52	-14.36	-30.60	-44.96	-13.00	-31.96	H
1673.00	-26.67	-27.32	-53.99	-13.00	-40.99	H
2509.50	-29.41	-25.07	-54.48	-13.00	-41.48	H
88.52	-11.65	-30.60	-42.25	-13.00	-29.25	V
1673.00	-27.96	-27.32	-55.28	-13.00	-42.28	V
2509.50	-28.98	-25.07	-54.05	-13.00	-41.05	V
High Channel (848.3MHz)						
88.52	-11.90	-30.60	-42.50	-13.00	-29.50	H
1696.60	-27.16	-27.27	-54.43	-13.00	-41.43	H
2544.90	-32.13	-24.97	-57.10	-13.00	-44.10	H
88.52	-14.73	-30.60	-45.33	-13.00	-32.33	V
1696.60	-26.43	-27.27	-53.70	-13.00	-40.70	V
2544.90	-28.33	-24.97	-53.30	-13.00	-40.30	V

## For FDD-LTE Band 7 Mode

Frequency (MHz)	Reading (dBm)	Correct dB	Result (dBm)	Limit (dBm)	Margin (dB)	Polar H/V
Low Channel (2502.5MHz)						
88.52	-13.04	-30.60	-43.64	-25.00	-18.64	H
5005.00	-20.46	-19.60	-40.06	-25.00	-15.06	H
7507.50	-24.10	-13.38	-37.48	-25.00	-12.48	H
88.52	-12.80	-30.60	-43.40	-25.00	-18.40	V
5005.00	-21.22	-19.60	-40.82	-25.00	-15.82	V
7507.50	-26.42	-13.38	-39.80	-25.00	-14.80	V
Middle Channel (2535MHz)						
88.52	-13.53	-30.60	-44.13	-25.00	-19.13	H
5070.00	-20.64	-19.57	-40.21	-25.00	-15.21	H
7605.00	-26.45	-13.11	-39.56	-25.00	-14.56	H
88.52	-14.61	-30.60	-45.21	-25.00	-20.21	V
5070.00	-20.06	-19.57	-39.63	-25.00	-14.63	V
7605.00	-23.26	-13.11	-36.37	-25.00	-11.37	V
High Channel (2567.5MHz)						
88.52	-13.83	-30.60	-44.43	-25.00	-19.43	H
5135.00	-18.82	-19.53	-38.35	-25.00	-13.35	H
7702.50	-24.17	-12.83	-37.00	-25.00	-12.00	H
88.52	-14.76	-30.60	-45.36	-25.00	-20.36	V
5135.00	-18.56	-19.53	-38.09	-25.00	-13.09	V
7702.50	-24.34	-12.83	-37.17	-25.00	-12.17	V

## For FDD-LTE Band 12 Mode

Frequency (MHz)	Reading (dBm)	Correct dB	Result (dBm)	Limit (dBm)	Margin (dB)	Polar H/V
Low Channel (699.7MHz)						
88.52	-14.10	-30.60	-44.70	-13.00	-31.70	H
1399.40	-26.18	-27.92	-54.10	-13.00	-41.10	H
2099.10	-30.07	-26.30	-56.37	-13.00	-43.37	H
88.52	-13.76	-30.60	-44.36	-13.00	-31.36	V
1399.40	-28.43	-27.92	-56.35	-13.00	-43.35	V
2099.10	-28.28	-26.30	-54.58	-13.00	-41.58	V
Middle Channel (707.5MHz)						
88.52	-11.31	-30.60	-41.91	-13.00	-28.91	H
1415.00	-27.90	-27.89	-55.79	-13.00	-42.79	H
2122.50	-31.44	-26.23	-57.67	-13.00	-44.67	H
88.52	-12.85	-30.60	-43.45	-13.00	-30.45	V
1415.00	-26.46	-27.89	-54.35	-13.00	-41.35	V
2122.50	-31.11	-26.23	-57.34	-13.00	-44.34	V
High Channel (715.3MHz)						
88.52	-13.55	-30.60	-44.15	-13.00	-31.15	H
1430.60	-24.44	-27.85	-52.29	-13.00	-39.29	H
2145.90	-30.48	-26.16	-56.64	-13.00	-43.64	H
88.52	-13.74	-30.60	-44.34	-13.00	-31.34	V
1430.60	-29.48	-27.85	-57.33	-13.00	-44.33	V
2145.90	-30.08	-26.16	-56.24	-13.00	-43.24	V

## For FDD-LTE Band 17 Mode

Frequency (MHz)	Reading (dBm)	Correct dB	Result (dBm)	Limit (dBm)	Margin (dB)	Polar H/V
Low Channel (706.5MHz)						
88.52	-13.24	-30.60	-43.84	-13.00	-30.84	H
1413.00	-25.58	-27.89	-53.47	-13.00	-40.47	H
2119.50	-29.73	-26.24	-55.97	-13.00	-42.97	H
88.52	-12.01	-30.60	-42.61	-13.00	-29.61	V
1413.00	-28.71	-27.89	-56.60	-13.00	-43.60	V
2119.50	-31.76	-26.24	-58.00	-13.00	-45.00	V
Middle Channel (710MHz)						
88.52	-11.40	-30.60	-42.00	-13.00	-29.00	H
1420.00	-24.65	-27.88	-52.53	-13.00	-39.53	H
2130.00	-32.35	-26.21	-58.56	-13.00	-45.56	H
88.52	-12.81	-30.60	-43.41	-13.00	-30.41	V
1420.00	-28.97	-27.88	-56.85	-13.00	-43.85	V
2130.00	-31.87	-26.21	-58.08	-13.00	-45.08	V
High Channel (713.5MHz)						
88.52	-14.60	-30.60	-45.20	-13.00	-32.20	H
1427.00	-27.65	-27.86	-55.51	-13.00	-42.51	H
2140.50	-30.84	-26.18	-57.02	-13.00	-44.02	H
88.52	-13.40	-30.60	-44.00	-13.00	-31.00	V
1427.00	-28.41	-27.86	-56.27	-13.00	-43.27	V
2140.50	-30.01	-26.18	-56.19	-13.00	-43.19	V

## For FDD-LTE Band 25 Mode

Frequency (MHz)	Reading (dBm)	Correct dB	Result (dBm)	Limit (dBm)	Margin (dB)	Polar H/V
Low Channel (1850.7MHz)						
88.52	-14.64	-30.60	-45.24	-13.00	-32.24	H
3701.40	-25.55	-22.20	-47.75	-13.00	-34.75	H
5552.10	-31.30	-19.32	-50.62	-13.00	-37.62	H
88.52	-13.56	-30.60	-44.16	-13.00	-31.16	V
3701.40	-29.89	-22.20	-52.09	-13.00	-39.09	V
5552.10	-30.24	-19.32	-49.56	-13.00	-36.56	V
Middle Channel (1882.5MHz)						
88.52	-13.76	-30.60	-44.36	-13.00	-31.36	H
3765.00	-27.50	-22.07	-49.57	-13.00	-36.57	H
5647.50	-32.56	-19.28	-51.84	-13.00	-38.84	H
88.52	-11.96	-30.60	-42.56	-13.00	-29.56	V
3765.00	-29.28	-22.07	-51.35	-13.00	-38.35	V
5647.50	-29.85	-19.28	-49.13	-13.00	-36.13	V
High Channel (1914.3MHz)						
88.52	-13.92	-30.60	-44.52	-13.00	-31.52	H
3828.60	-26.94	-21.94	-48.88	-13.00	-35.88	H
5742.90	-30.92	-19.23	-50.15	-13.00	-37.15	H
88.52	-13.31	-30.60	-43.91	-13.00	-30.91	V
3828.60	-29.21	-21.94	-51.15	-13.00	-38.15	V
5742.90	-28.55	-19.23	-47.78	-13.00	-34.78	V

## For FDD-LTE Band 26 Mode

Frequency (MHz)	Reading (dBm)	Correct dB	Result (dBm)	Limit (dBm)	Margin (dB)	Polar H/V
Low Channel (824.7MHz)						
88.52	-13.02	-30.56	-43.58	-13.00	-30.58	H
1649.40	-25.17	-27.37	-52.54	-13.00	-39.54	H
2474.10	-31.39	-25.18	-56.57	-13.00	-43.57	H
88.52	-13.72	-30.56	-44.28	-13.00	-31.28	V
1649.40	-27.07	-27.37	-54.44	-13.00	-41.44	V
2474.10	-29.26	-25.18	-54.44	-13.00	-41.44	V
Middle Channel (836.5MHz)						
88.52	-14.75	-30.56	-45.31	-13.00	-32.31	H
1673.00	-24.06	-27.32	-51.38	-13.00	-38.38	H
2509.50	-31.89	-25.07	-56.96	-13.00	-43.96	H
88.52	-13.98	-30.56	-44.54	-13.00	-31.54	V
1673.00	-26.42	-27.32	-53.74	-13.00	-40.74	V
2509.50	-31.00	-25.07	-56.07	-13.00	-43.07	V
High Channel (848.3MHz)						
88.52	-11.08	-30.56	-41.64	-13.00	-28.64	H
1696.60	-26.30	-27.27	-53.57	-13.00	-40.57	H
2544.90	-29.75	-24.97	-54.72	-13.00	-41.72	H
88.52	-11.16	-30.56	FALSE	-13.00	13.00	V
1696.60	-26.70	-27.27	-53.97	-13.00	-40.97	V
2544.90	-30.13	-24.97	-55.10	-13.00	-42.10	V

## For FDD-LTE Band 26 Mode

Frequency (MHz)	Reading (dBm)	Correct dB	Result (dBm)	Limit (dBm)	Margin (dB)	Polar H/V
Low Channel (814.7MHz)						
89.64	-13.01	-30.56	-43.57	-13.00	-30.57	H
1629.4	-27.84	-27.37	-55.21	-13.00	-42.21	H
2444.1	-30.28	-25.18	-55.46	-13.00	-42.46	H
89.64	-12.72	-30.56	-43.28	-13.00	-30.28	V
1629.4	-29.47	-27.37	-56.84	-13.00	-43.84	V
2444.1	-28.12	-25.18	-53.30	-13.00	-40.30	V
Middle Channel (819MHz)						
89.64	-14.43	-30.56	-44.99	-13.00	-31.99	H
1638.00	-24.88	-27.32	-52.20	-13.00	-39.20	H
2457.00	-29.45	-25.07	-54.52	-13.00	-41.52	H
89.64	-13.32	-30.56	-43.88	-13.00	-30.88	V
1638.00	-26.77	-27.32	-54.09	-13.00	-41.09	V
2457.00	-30.37	-25.07	-55.44	-13.00	-42.44	V
High Channel (823.3MHz)						
89.64	-12.44	-30.56	-43.00	-13.00	-30.00	H
1646.6	-27.71	-27.27	-54.98	-13.00	-41.98	H
2469.9	-30.58	-24.97	-55.55	-13.00	-42.55	H
89.64	-13.97	-30.56	FALSE	-13.00	13.00	V
1646.6	-27.94	-27.27	-55.21	-13.00	-42.21	V
2469.9	-31.24	-24.97	-56.21	-13.00	-43.21	V

## For FDD-LTE Band 66 Mode

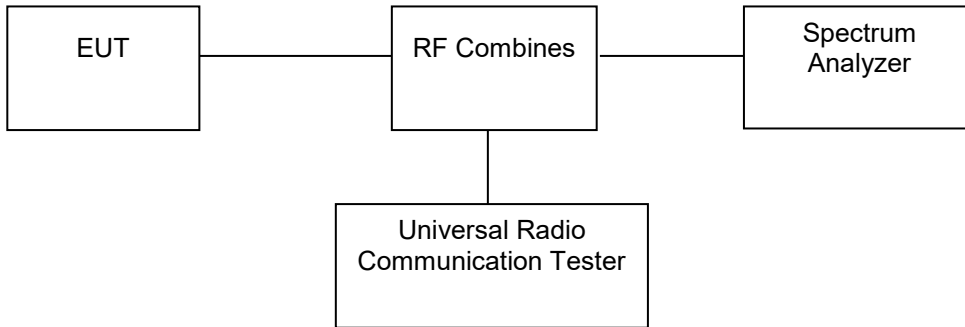
Frequency (MHz)	Reading (dBm)	Correct dB	Result (dBm)	Limit (dBm)	Margin (dB)	Polar H/V
Low Channel (1710.7MHz)						
88.52	-14.19	-30.56	-44.75	-13.00	-31.75	H
3421.40	-26.27	-22.76	-49.03	-13.00	-36.03	H
5132.10	-30.11	-19.53	-49.64	-13.00	-36.64	H
88.52	-12.80	-30.56	-43.36	-13.00	-30.36	V
3421.40	-27.80	-22.76	-50.56	-13.00	-37.56	V
5132.10	-28.26	-19.53	-47.79	-13.00	-34.79	V
Middle Channel (1745MHz)						
88.52	-13.93	-30.56	-44.49	-13.00	-31.49	H
3490.00	-27.22	-22.62	-49.84	-13.00	-36.84	H
5235.00	-30.25	-19.48	-49.73	-13.00	-36.73	H
88.52	-11.43	-30.56	-41.99	-13.00	-28.99	V
3490.00	-28.99	-22.62	-51.61	-13.00	-38.61	V
5235.00	-28.60	-19.48	-48.08	-13.00	-35.08	V
High Channel (1779.3MHz)						
88.52	-14.49	-30.56	-45.05	-13.00	-32.05	H
3558.60	-25.57	-22.48	-48.05	-13.00	-35.05	H
5337.90	-32.06	-19.43	-51.49	-13.00	-38.49	H
88.52	-14.90	-30.56	-45.46	-13.00	-32.46	V
3558.60	-27.17	-22.48	-49.65	-13.00	-36.65	V
5337.90	-29.76	-19.43	-49.19	-13.00	-36.19	V

Note: Result=Reading+ Correct, Margin= Result- Limit

Note: Testing is carried out with frequency rang 9kHz to the tenth harmonics, other than listed in the table above are attenuated more than 20dB below the permissible limits or the field strength is too small to be measured.

## 11. Frequency Stability

### 11.1 Block Diagram Of Test Setup



### 11.2 Limit

FCC Part 22.355:  $\pm 2.5$  ppm

FCC Part 24.235:

The frequency stability shall be sufficient to ensure that the fundamental emission stays within the authorized frequency block.

FCC Part 27.54

The frequency stability shall be sufficient to ensure that the fundamental emissions stay within the authorized bands of operation.

FCC § 90.213

The frequency stability shall not depart from the reference frequency in excess of  $\pm 2.5$  ppm for mobile stations.

### 11.3 Test procedure

Test Procedures for Temperature Variation

1. The testing follows FCC KDB 971168 D01v03 Section 9.0.
2. The EUT was set up in the thermal chamber and connected with the system simulator.
3. With power OFF, the temperature was decreased to  $-30^{\circ}\text{C}$  and the EUT was stabilized before testing. Power was applied and the maximum change in frequency was recorded within one minute.
4. With power OFF, the temperature was raised in  $10^{\circ}\text{C}$  steps up to  $50^{\circ}\text{C}$ . The EUT was stabilized at each step for at least half an hour. Power was applied and the maximum frequency change was recorded within one minute.

Test Procedures for Voltage Variation

1. The testing follows FCC KDB 971168 D01v03 Section 9.0.
2. The EUT was placed in a temperature chamber at  $25 \pm 5^{\circ}\text{C}$  and connected with the system simulator.
3. The power supply voltage to the EUT was varied from BEP to 115% of the nominal value measured at the input to the EUT.
4. The variation in frequency was measured for the worst case.
5. The worst case (worst bandwidth) for frequency stability reported in the Test Data.

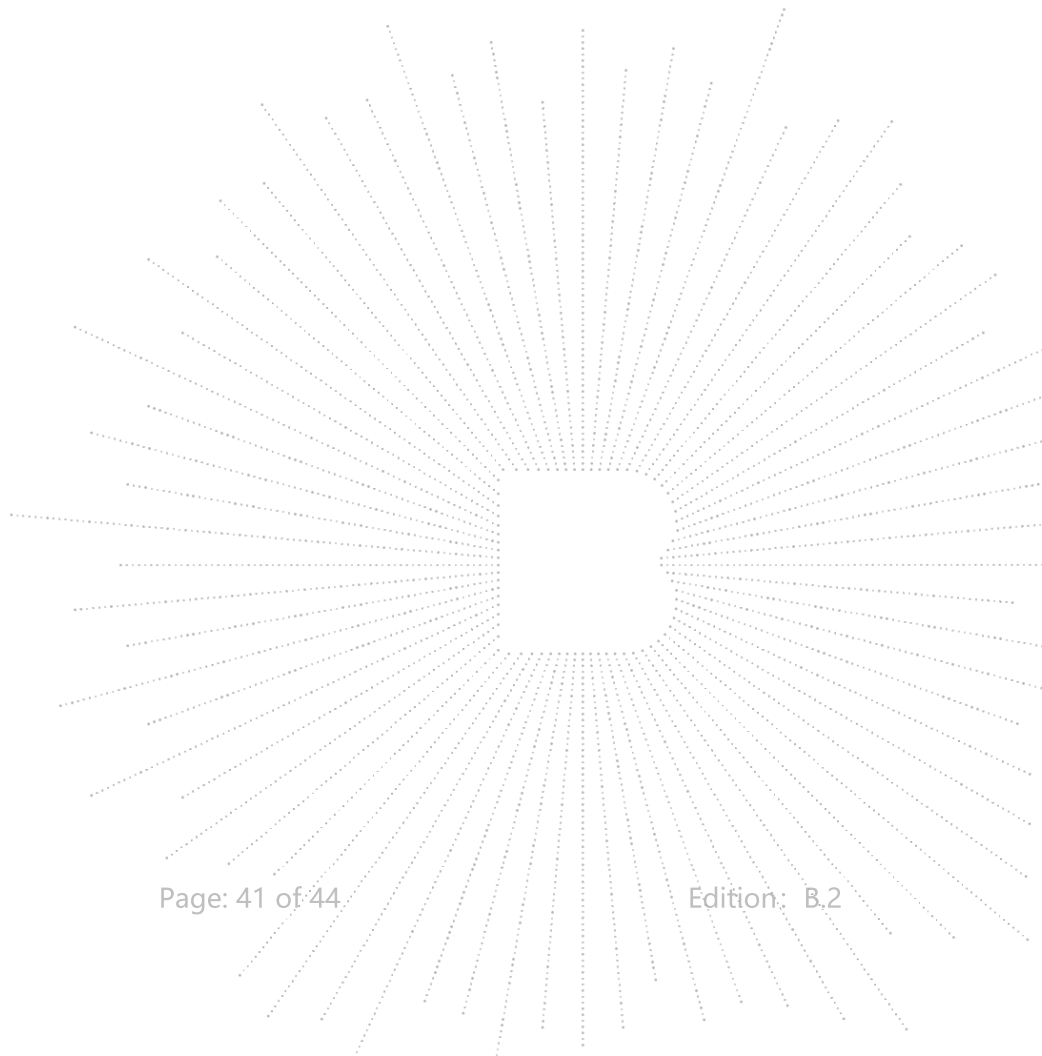
The worst bandwidth is as follow:

- 1.4M is for LTE Band 2, 1.4M is for LTE Band 4,
- 1.4M is for LTE Band 5, 1.4M is for LTE Band 7,
- 5M is for LTE Band 12, 1.4M is for LTE Band 17.



## 11.4 Test Result

Please refer to Appendix 2: Frequency Stability  
Test Result: Pass



## 12. EUT Photographs

EUT Photo 1



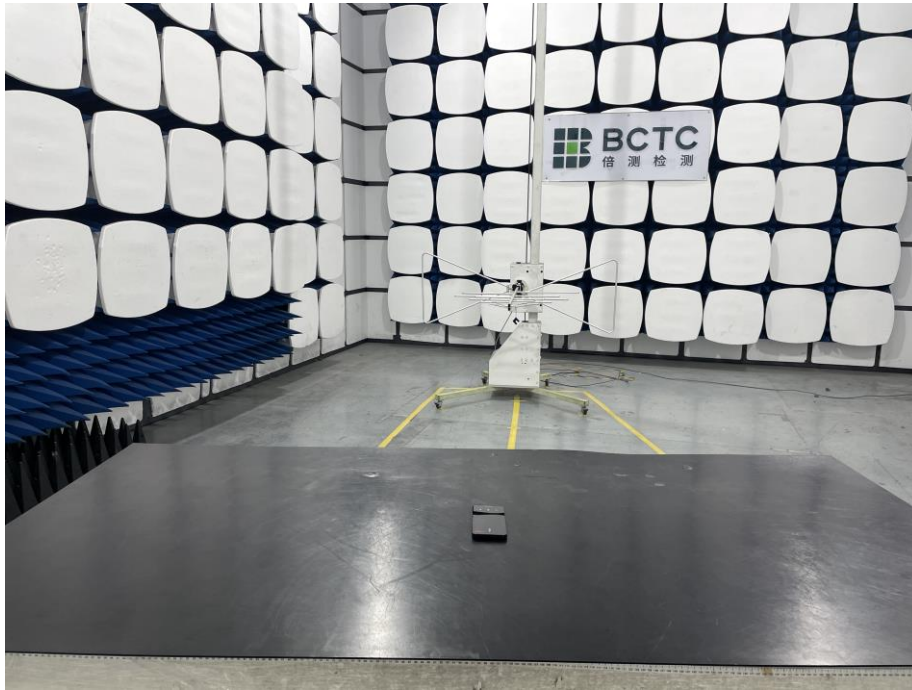
EUT Photo 2



NOTE: Appendix-Photographs Of EUT Constructional Details.

### 13. EUT Test Setup Photographs

#### Radiated Measurement Photos



**STATEMENT**

1. The equipment lists are traceable to the national reference standards.
2. The test report can not be partially copied unless prior written approval is issued from our lab.
3. The test report is invalid without the "special seal for inspection and testing".
4. The test report is invalid without the signature of the approver.
5. The test process and test result is only related to the Unit Under Test.
6. Sample information is provided by the client and the laboratory is not responsible for its authenticity.
7. The quality system of our laboratory is in accordance with ISO/IEC17025.
8. If there is any objection to this test report, the client should inform issuing laboratory within 15 days from the date of receiving test report.

**Address:**

1-2/F., Building B, Pengzhou Industrial Park, No.158, Fuyuan 1st Road, Zhancheng, Fuhai Subdistrict, Bao'an District, Shenzhen, Guangdong, China

TEL: 400-788-9558

P.C.: 518103

FAX: 0755-33229357

Website: <http://www.chnbctc.com>

Consultation E-mail: [bctc@bctc-lab.com.cn](mailto:bctc@bctc-lab.com.cn)

Complaint/Advice E-mail: [advice@bctc-lab.com.cn](mailto:advice@bctc-lab.com.cn)

※※※※※ END ※※※※※