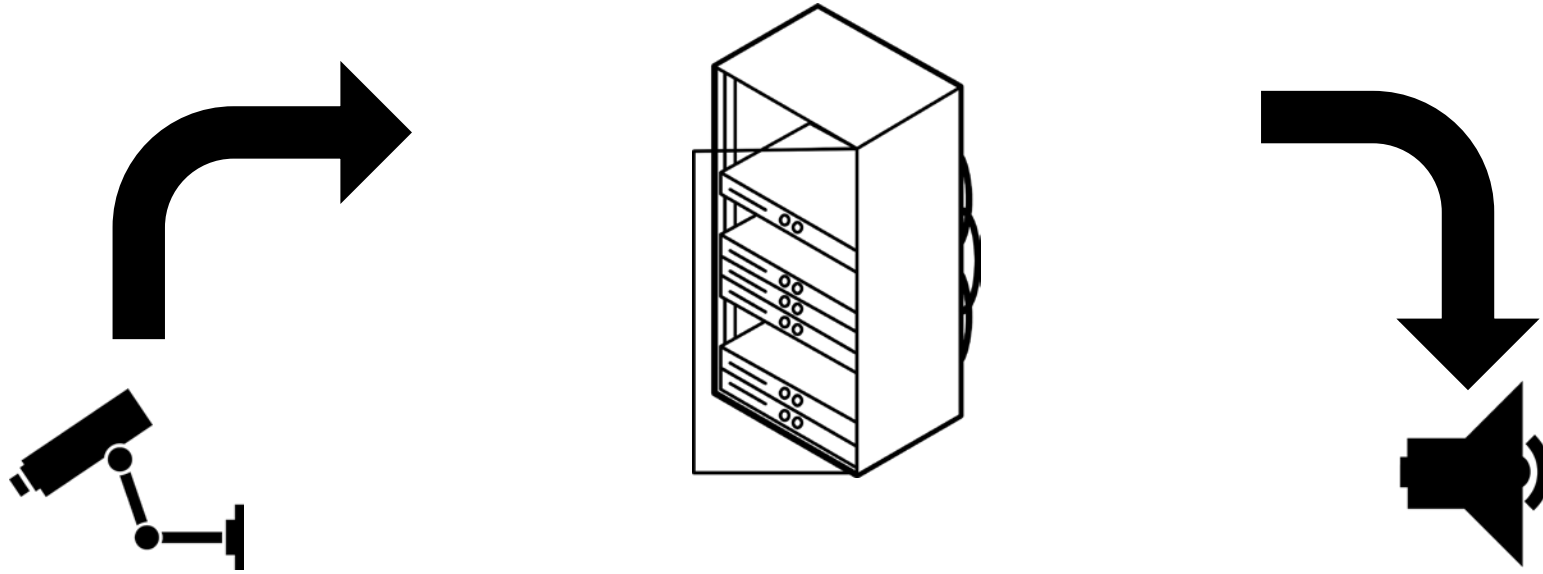


Chime user's guide

Date	2017.09.19
Company	OLIVE AND DOVE CO.,LTD

Chime

1. What is Chime?



When another device signals the server, it receives data from the server and rings the bell.

This device enables to hear bell sound from a doorbell of Remo+ even if users hardly hear due to distance between where users are staying and where the doorbell is installed.

Chime

2. Appearance



- 1) Speaker
- 2) Status LED
- 3) Status Button
- 4) Power USB Port

Chime

3. The operation mode

1) SoftAP mode

- Chime initial state
- Search the SSID name after connecting the wireless network at the bottom left of PC or Notebook.(SSID is Chime_XXXXXX and connection password is open .
XXXXXX: camera serial number.)

2) Station mode

- When you register Chime in viewer app, softAP mode is changed to Station mode.
- When you press the switch in station mode, the Chime supports streaming via viewer app.

3) Operating mode conversion

- Switch to the SoftAP : In Station mode press the reset key, Switch to the SoftAP
- Switch to the Station mode :If you register Chime in the viewer APP, it can be switched to the station mode.

Chime

4. Mounting



- Turn on power of Chime
- 1. Connect the USB adapter to Chime.
- 2. Plug the USB adapter into an electric outlet.

* USB adapter not included.

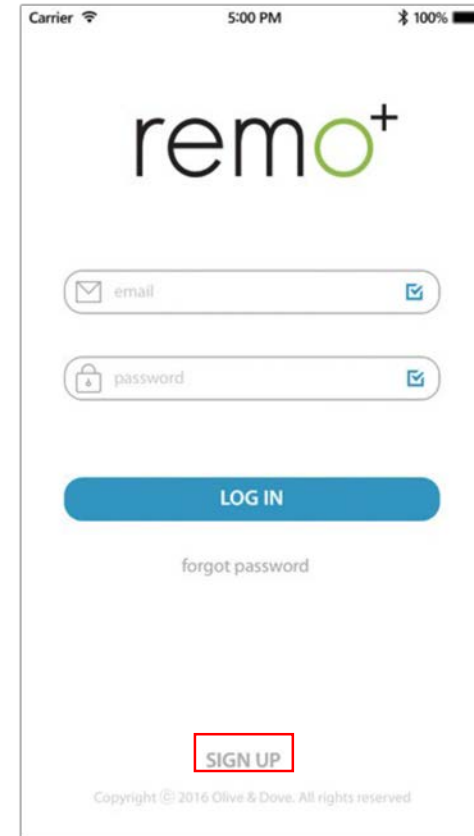
Chime


5-1. HOW TO REGISTER Chime

- 1) Make sure your mobile device is connected to your home Wi-Fi.
- 2) Download and launch the **remo+** app.



- 3) Press sign up at the bottom of the login page.



- 4) Enter your email and create a password and profile name. Then press sign up. For Help, press the  at the top right corner.

Chime

5-2. REGISTER Chime

- 1) Have your Wi-Fi network password available.
- 2) Insert a chime into the adapter.
- 3) Chime's status LED light should flash Blink. If it is not, press the status button.
- 4) Go back to the app, and select your timezone.
- 5) Switch to your phone's Wi-Fi settings, leaving **remo+** app open. Please **DO NOT CLOSE THE APP.**
- 6) Connect to the network Chime_xxxxxx.
If you see "internet is unavailable," tap "okay."
- 7) Once you're connected to the Chime_xxxxxx network, switch back to the **remo+** app and press continue.
- 8) Select your home Wi-Fi network, enter the password, then press continue. Your app will then complete the registration. This may take up to 3 minutes.



FCC Compliance Statement

This device complies with part 15 of FCC rules. Operation is subject to the following two conditions: (1) This device may not cause harmful interference, and (2) this device must accept any interference received, including interference that may cause undesired operation.

FCC Interference Statement

This equipment has been tested and found to comply with the limits for a Class B digital device, pursuant to part 15 of the FCC Rules. These limits are designed to provide reasonable protection against harmful interference in a residential installation. This equipment generates, uses and can radiate radio frequency energy and, if not installed and used in accordance with the instructions, may cause harmful interference to radio communications. However, there is no guarantee that interference will not occur in a particular installation. If this equipment does cause harmful interference to radio or television reception, which can be determined by turning the equipment off and on, the user is encouraged to try to correct the interference by one or more of the following measures:

- Reorient or relocate the receiving antenna.
- Increase the separation between the equipment and receiver.
- Connect the equipment into an outlet on a circuit different from that to which the receiver is connected.
- Consult the dealer or an experienced radio/TV technician for help.

FCC Caution

Any changes or modifications to the equipment not expressly approved by the party responsible for compliance could void your authority to operate the equipment.

FCC Radiation Exposure Statement

This equipment complies with FCC radiation exposure limits set forth for an uncontrolled environment. This equipment should be installed and operated with minimum distance 20cm between the radiator and your body.

Thank you.