

創維集團有限公司
Skyworth 创维 SKYWORTH (GROUP) CO., LTD.

ENGINEERING EVALUATION REPORT

REVISED

*2018/12/20

(COMPONENTS)

REPORT NO. : EDE1811310 MODEL : W300212-A-0N-R DATE COMPLETED : 2018-11-29 QTY SUBMITTED : DESCRIPTIONS : PIFA ANTENNA 50 OHM 2400-5800MHz FOR MT7668BU WIFI	SAMPLE IS : <input checked="" type="checkbox"/> NEW PARTS <input type="checkbox"/> 1 st SUBMISSION <input type="checkbox"/> 2 nd SUBMISSION <input type="checkbox"/> ALTERNATE SOURCE <input type="checkbox"/> OTHER REMARKS SPECIFICATION ATTACHED <input checked="" type="checkbox"/> YES <input type="checkbox"/> NO
REMARKS :	
SUPPLIER'S PART NO. : W300212-A-0N-R	
OUR PARTS NO. : 53MU-083002-0010	
SUPPLIER :	
MANUFACTURER : 东莞市泰康电子科技有限公司	
TEST RESULT : <input checked="" type="checkbox"/> APPROVED <input type="checkbox"/> REJECTED <input type="checkbox"/> CONDITIONALLY APPROVED : SEE ITEMS LISTED BELOW	
TEST ENGINEERS : 董国发	
COMMENTS : 1. 所有壞料包退換。 2. 如有因元件質量問題而引起的損失，元件生產廠家需負全責。 3. 請在內/外包裝箱上打印我公司物料編號： 53MU-083002-0010 。	
IF CONDITIONALLY APPROVED : <input type="checkbox"/> (a) SUPPLIER IS REQUESTED TO SUBMIT _____ PIECES SAMPLES AGAIN. <input type="checkbox"/> (b) FOR PURCHASING TO BUY _____ PIECES FOR PILOT PRODUCTION.	
TESTED BY ENGINEER (S)	APPROVED BY ENGINEERING MANAGER
ELECTRICAL <div style="text-align: center; font-size: 2em;">蘇海生</div>	<div style="text-align: center; font-size: 2em;">李煜</div>

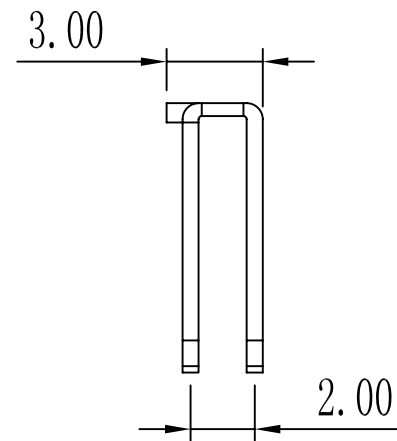
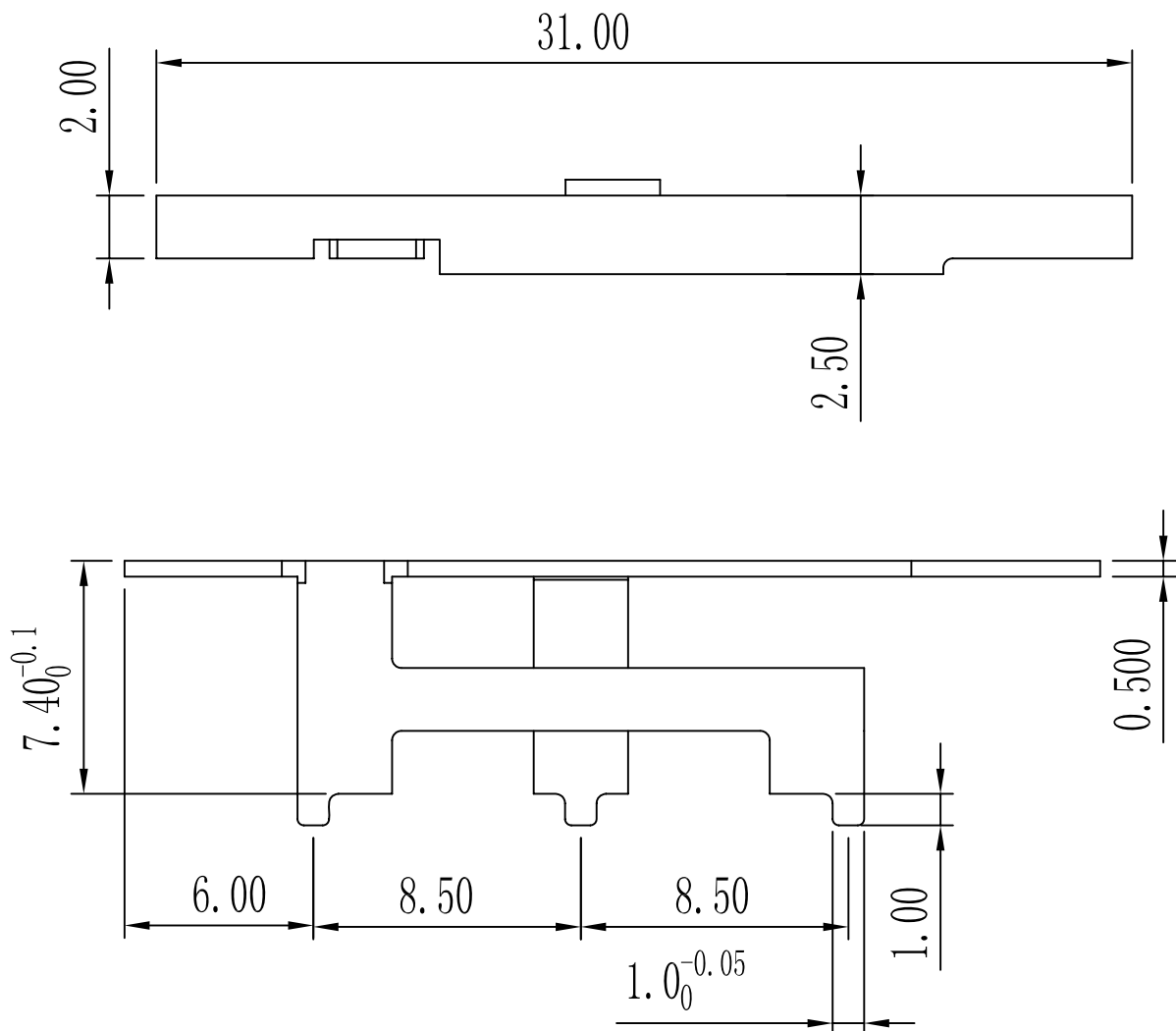
RoHS 2.0&REACH Compliant

Unit : mm


THE PART MEETS TECONN "GP001" COMPLIANCE NEW REV.

说明:

1. 材料规格: 不锈钢SUS201 T=0.50mm
2. 电镀规格: 镀可焊镍30U"以上
3. 一般毛边不可大于0.05mm, 不可有变形、压伤、油污、发白、发黄、发黑、脏污现象
4. 盐雾测试要求12小时
5. 产品单重:0.57g



A	TE2018-0127	New Dwg.	Drex	2018/11/23
REV	ECN NO	DESCRIPTION	DESIGN	DATE

X. ± 0.60	APPD: Henry Sun	TITLE: WIFI天线固定片	 泰康电子 TECONN
.X ± 0.50	CHKD: /	PART NO: W300212-A-0N-R	
.XX ± 0.15	DR: Zhangjing	DWG NO: C-W300212-A-0N-R	
.XXX ±		CUSTOMER DRAWING	
X° ± 2°		SCALE: 1:1	SHEET:1 OF 1
.X° ± 1.5°			REV: A

东莞市泰康电子科技有限公司

SPECIFICATION FOR APPROVAL 产品规格书

Customer Name	Shenzhen Chuangwei-RGB Electronics Co., Ltd.
Product name	PIFA Antenna,
Product number	W300212-A-0N-R
Customer P/N :	N/A
Prepared By	陈金文
Checked By	王国东
Approved By	翁晓克
Apply Date	2018. 11. 18

CUSTOMER SIGNATURE		
Prepared By	Checked By	Approved By

PLEASE RETURN TO US ONE COPY OF "SPECIFICATION FOR APPROVAL" WITH YOUR APPROVED SIGNATURES.

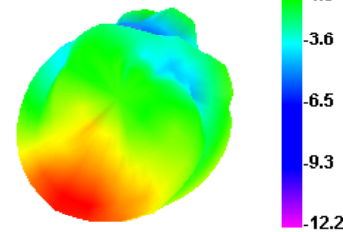
地址: 东莞市虎门镇358省道村头村58号

5.Active result (WIFI)

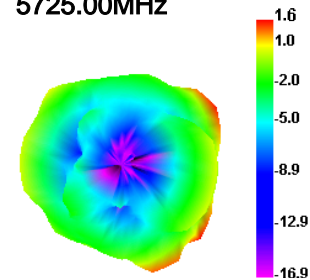
1

Freq (MHz)	Effi (%)	Gain (dBi)
2400	40.12	1.11
2410	41.77	1.28
2420	42.89	1.36
2430	44.02	1.59
2440	45.12	1.87
2450	46.79	2.03
2460	47.28	2.19
2470	46.92	2.04
2480	46.18	1.96
2490	45.77	1.89
2500	45.08	1.72
5150	42.26	1.35
5252	41.53	1.28
5350	40.28	1.13
5470	41.61	1.31
5600	42.47	1.47
5725	43.19	1.58
5785	42.88	1.46
5850	40.05	1.11

2460.000MHz



5725.00MHz

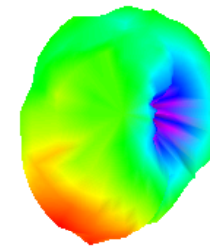


5.Active result (WIFI)

2

Freq (MHz)	Effi (%)	Gain (dBi)
2400	42.86	1.37
2410	43.71	1.41
2420	45.07	1.52
2430	45.92	1.81
2440	47.19	1.96
2450	48.66	2.13
2460	48.91	2.28
2470	47.13	2.04
2480	46.89	1.95
2490	44.71	1.61
2500	43.69	1.52
5150	42.86	1.57
5252	43.71	1.63
5350	44.59	1.82
5470	42.17	1.41
5600	41.66	1.21
5725	40.89	1.17
5785	40.15	1.08
5850	39.86	1

2460.000MHz



5350.00MHz

