

Shenzhen Chuangwei-RGB Electronics Co., Ltd.

TEST REPORT

SCOPE OF WORK

FCC TESTING-NTUD-U3

REPORT NUMBER

210727070SZN-004

ISSUE DATE

24 September 2021

[REVISED DATE]

[-----]

PAGES

32

DOCUMENT CONTROL NUMBER

FCC 15C_Tx_b

© 2017 INTERTEK



RF TEST REPORT

Report No. : 210727070SZN-004
Product : Wireless Module
Model No. : NTUD-U3
FCC ID : 2ANM3NTUDU3

Applicant: Shenzhen Chuangwei-RGB Electronics Co., Ltd.
13F-16F, Unit A, Skyworth Building, Shennan Road,
Nanshan District, Shenzhen, Guangdong, China

**Test Method/
Standard:** FCC Part 15 Subpart E;
KDB 789033 D02 v02r01;
KDB 662911 D01 v02r01;
KDB 905462 D02 v02;
ANSI C63.10-2013

Test By: Intertek Testing Services Shenzhen Ltd. Longhua Branch
101, 201, Building B, No. 308 Wuhe Avenue, Zhangkengjing
Community, GuanHu Subdistrict, LongHua District, Shenzhen,
P.R. China.

Prepared and Checked by:

Approved by:

Allen Qin
Engineer

Peter Kang
Sr. Technical Supervisor
Date: 24 September 2021

- The test results reported in this test report shall refer only to the sample actually tested and shall not refer or be deemed to refer to bulk from which such a sample may be said to have been obtained.
- This report is for the exclusive use of Intertek's Client and is provided pursuant to the agreement between Intertek and its Client. Intertek's responsibility and liability are limited to the terms and conditions of the agreement. Intertek assumes no liability to any party, other than to the Client in accordance with the agreement, for any loss, expense or damage occasioned by the use of this report. Only the Client is authorized to copy or distribute this report. Any use of the Intertek name or one of its marks for the sale or advertisement of the tested material, product or service must first be approved in writing by Intertek. The observations and test results referenced from this report are relevant only to the sample tested. This report by itself does not imply that the material, product, or service is or has ever been under an Intertek certification program.
- For Terms And Conditions of the services, it can be provided upon request.
- The evaluation data of the report will be kept for 3 years from the date of issuance.

Intertek Testing Service Shenzhen Ltd. Longhua Branch

101, 201, Building B, No. 308 Wuhe Avenue, Zhangkengjing Community, GuanHu Subdistrict, LongHua District, Shenzhen.
Tel: (86 755) 8601 6288 Fax: (86 755) 8601 6751

Table of Contents

Summary of Tests	3
1. General information	4
1.1 Identification of the EUT	4
1.2 Additional information about the EUT	5
1.3 Antenna description (15.203)	5
1.4 Peripherals equipment	5
2. Test specifications	6
2.1 Test standard.....	6
2.2 Operation mode	6
2.3 EUT Exercising Software	7
3. Maximum Output Power test (FCC 15.407)	8
3.1 Operating environment.....	8
3.2 Test setup & procedure	8
3.3 Limit	8
3.4 Measured data of Maximum Output Power test results.....	8
4. Power Spectrum Density test (FCC 15.407)	9
4.1 Operating environment.....	9
4.2 Test setup & procedure	9
4.3 Limit	9
4.4 Measured data of Power Spectrum Density test results.....	9
5. Minimum 6 dB RF Bandwidth (FCC 15.407)	10
5.1 Operating environment.....	10
5.2 Test setup & procedure	10
5.3 Limit	11
5.4 Measured data of 6dB down Emission Bandwidth test results.....	11
6. Radiated Emission test (FCC 15.205 & 15.209 & 15.407).....	12
6.1 Operating environment.....	12
6.2 Test setup & procedure	12
6.3 Limit	14
6.4 Radiated spurious emission test data	16
6.4.1 Measurement results: frequencies equal to or less than 1 GHz.....	16
6.4.2 Measurement results: frequency above 1GHz	18
7. Power Line Conducted Emission test.....	21
7.1 Operating environment.....	21
7.2 Test setup & procedure	21
7.3 Limit	21
7.4 Power Line Conducted Emission test data.....	22
8. Frequency Stability Test.....	24
8.1 Test setup & procedure	24
8.2 Frequency Stability Test Data.....	24
9. Dynamic Frequency Selection (DFS) (FCC 15.407)	25
9.1 Requirement	25
9.2 Test setup.....	27
9.3 In-Service Monitoring for Channel Move Time, Channel Closing Transmission Time and Non- Occupancy Period.....	28

Summary of Tests

FCC Parts	Test	Section	Results
15.203	Antenna Requirement	1.3	Pass
15.407 a (1) / (3)	Maximum output power test	3	Pass
15.407 a (1) / (3)	Power Spectrum Density test	4	Pass
15.407 e	6dB Bandwidth	5	Pass
15.407 b, 15.205, 15.209	Radiated spurious emission test	6	Pass
15.207	AC line conducted emission test	7	Pass
15.407 g	Frequency Stability	8	Pass
15.407 h	DFS: Channel Closing Transmission Time	9.3	Pass
15.407 h	DFS: Channel Move Time	9.3	Pass
15.407 h	DFS: Non-Occupancy Period	9.3	Pass

1. General information

1.1 Identification of the EUT

Product:	Wireless Module
Model No.:	NTUD-U3
Type of Device:	Slave device
Nominal Channel Bandwidth:	802.11a/n-HT20 (20 MHz), 802.11n-HT40 (40MHz), 802.11ac (20/40/80MHz)
Operating Frequency:	5150MHz~5250 MHz, 5250MHz~5350MHz, 5470MHz-5725MHZ, 5725MHz~5850MHz
Channel Number:	4 channels for 5180 MHz ~ 5240 MHz (802.11 a/n20/ac-HT20); 2 channels for 5190 MHz ~ 5230 MHz (802.11 n40/ac-HT40); 1 channels for 5210 MHz (802.11ac-HT80); 4 channels for 5260 MHz ~ 5320 MHz (802.11 a/n20/ac-HT20); 2 channels for 5270 MHz ~ 5310 MHz (802.11 n40/ac-HT40); 1 channels for 5290 MHz (802.11ac-HT80); 8 channels for 5500 MHz ~ 5580 & 5660MHz ~ 5700 MHz (802.11a/n20/ac-HT20); 3 channels for 5510 MHz ~ 5550MHz & 5670 MHz (802.11n40/ac-HT40); 1 channels for 5530 MHz (802.11ac-HT80); 5 channels for 5745 MHz ~ 5825 MHz (802.11a/n20/ac-HT20); 2 channels for 5755 MHz ~ 5795 MHz (802.11n40/ac-HT40); 1 channels for 5775 MHz (802.11ac-HT80);
Modulation:	802.11a: OFDM (BPSK, QPSK, 16QAM, 64QAM) 802.11n: OFDM (BPSK, QPSK, 16QAM, 64QAM) 802.11ac: OFDM (BPSK, QPSK, 16QAM, 64QAM, 256QAM)
Rated Power:	DC 3.3V
Test Date(s):	03 August 2021 to 31 August 2021
Note 1:	This report is for the exclusive use of Intertek's Client and is provided pursuant to the agreement between Intertek and its Client. Intertek's responsibility and liability are limited to the terms and conditions of the agreement. Intertek assumes no liability to any party, other than to the Client in accordance with the agreement, for any loss, expense or damage occasioned by the use of this report. Only the Client is authorized to permit copying or distribution of this report and then only in its entirety. Any use of the Intertek name or one of its marks for the sale or advertisement of the tested material, product or service must first be approved in writing by Intertek. The observations and test results in this report are relevant only to the sample tested. This report by itself does not imply that the material, product, or service is or has ever been under an Intertek certification program.
Note 2:	When determining the test conclusion, the Measurement Uncertainty of test has been considered.

1.2 Additional information about the EUT

The equipment under test (EUT) is a Wireless Module with Bluetooth 5.1 (dual-mode) function operating in 2402-2480MHz, 2.4G WIFI function operating in 2412-2462MHz and 5G WIFI function operating in 5150MHz~5250 MHz, 5250MHz~5350MHz, 5470MHz-5725MHZ, 5725MHz~5850MHz. The EUT is powered by DC 3.3V. For more detail information pls. refer to the user manual.

For more detail features, please refer to User's description as file name "descri.pdf".

Related Submittal(s) Grants

This is an application for certification of U-NII device (5GHz Wi-Fi transmitter portion).

For the BT classic function was tested and demonstrated in report 210727070SZN-001.

For the BT BLE function was tested and demonstrated in report 210727070SZN-002.

For the 2.4GHz WIFI function was tested and demonstrated in report 210727070SZN-003.

1.3 Antenna description (15.203)

The EUT uses Integral Antenna which in accordance to Section 15.203 is considered sufficient to comply with the provisions of this section.

Antenna 1 Gain: 2.34 dBi Max for 5G WIFI.

Antenna 2 Gain: 2.34 dBi Max for 5G WIFI.

1.4 Peripherals equipment

Description	Manufacturer	Remark
Laptop (Provided by Intertek)	DELL	Latitude 3480
ComTool (with cable) (Provided by Applicant)	Provided by Applicant	unshielded, 0.4m

2. Test specifications

2.1 Test standard

The EUT was performed according to the procedures in FCC Part 15 E, Section 15.203, 15.207, 15.209, 15.407 and ANSI C63.10/2013, method of measurement: KDB 789033.

The test of radiated measurements according to FCC Part 15 Section 15.33(a) had been conducted and the field strength of this frequency band was all meet limit requirement, thus we evaluate the EUT pass the specified test.

The AC power conducted emissions was investigated over the frequency range from 0.15 MHz to 30 MHz using a receiver bandwidth of 9 kHz (15.207 paragraph).

Radiated emissions were investigated cover the frequency range from 9kHz to 30MHz using a receiver RBW of 9kHz, from 30 MHz to 1000 MHz using a receiver RBW of 120 kHz record QP reading, and the frequency over 1 GHz using a spectrum analyzer RBW of 1 MHz, VBW of 3MHz, Detector=Peak record for Peak reading, RBW of 1 MHz, VBW of 3MHz, Detector=RMS record for Average reading recorded on the report.

The EUT setup configurations please refer to the photo of radiated setup photos.pdf & conducted setup photos.pdf.

2.2 Operation mode

The EUT was supplied by and it was run in TX mode that was controlled by client provided RF testing program.

The EUT was transmitted continuously during the test. The worst-case test result was showed in the report.

With individual verifying, the maximum output power was found at 6 Mbps data rate for 802.11a mode, 6.5 Mbps data rate for 802.11n-HT20 mode, 13.5 Mbps data rate for 802.11n-HT40 mode, 29.3Mbps data rate for 802.11ac. The final tests were executed under these conditions and recorded in this report individually.

2.3 EUT Exercising Software

The EUT exercise program (provided by client) used during radiated and conducted testing was designed to exercise the various system components in a manner similar to a typical use. The worst-case configuration is used in all specified testing.

Table for Parameters of Test Software Setting

During testing, Channel & Power Controlling Software provided by the customer was used to control the operating channel as well as the output power level. The RF output power selection is for the setting of RF output power expected by the customer and is going to be fixed on the firmware of the final end product.

Test software: QATool, Version: 0.2

3. Maximum Output Power test (FCC 15.407)

3.1 Operating environment

Temperature: 25 °C
Relative Humidity: 55 %
Atmospheric Pressure: 1011 hPa

3.2 Test setup & procedure

The power output per FCC §15.407(a) was measured on the EUT using a 50 ohm SMA cable connected to Power Meter and the measurement method refer to 789033 D02. Power was read directly and cable loss correction (1.0dB) was added to the reading to obtain power at the EUT antenna terminals.

3.3 Limit

Operating Frequency (MHz)	Max Conducted TX Power	Max EIRP
5150~5250	30dBm (1W) for master device	4W (36dBm) with 6dBi antenna
	24dBm (250mW) for client device	
5250~5350	24dBm (250mW) or 11dBm+ 10logB*	1W (30dBm) with 6dBi antenna
5470~5725	24dBm (250mW) or 11dBm+ 10logB*	
5725~5850	30dBm (1W)	4W (36dBm) with 6dBi antenna

- Remark: 1) *Where B is the 26dB emission Bandwidth in MHz.
2) The device was declared as Slave device.
3) Tx Power Reduction (dBm-by-dBi) required when antenna exceeds 6dBi.
4) In MIMO (2Tx), Ant1+Ant2 Directional gain = GANT + 10 log(N) dBi = 2.34 + 10 log (2) = 5.34 dBi < 6 dBi.

3.4 Measured data of Maximum Output Power test results

Max Conducted TX Power

The more detail please refer to “Appendix of 210727070SZN-004” Appendix B1.

Max EIRP

The more detail please refer to “Appendix of 210727070SZN-004” Appendix B2.

4. Power Spectrum Density test (FCC 15.407)

4.1 Operating environment

Temperature: 25 °C
Relative Humidity: 50 %
Atmospheric Pressure: 1013 hPa

4.2 Test setup & procedure

Method of Measurement:

The power spectrum density per FCC §15.407(a) was measured from the antenna port of the EUT using a 50 ohm spectrum analyzer with the resolution bandwidth set at 1MHz/500KHz, the video bandwidth set at 3 MHz/2MHz (measurement method refer to KDB 789033 D02). Power spectrum density was read directly and cable loss (1.0 dB) reading to obtain power at the EUT antenna terminals.

4.3 Limit

Operating Frequency (MHz)	Max Conducted Power Spectral Density
5150~5250	*17dBm/MHz for master device
	11dBm/MHz for mobile/portable client device
5250~5350	11dBm/MHz
5470~5725	11dBm/MHz
5725~5850	30dBm/500KHz

- Remark: 1) The device was declared as Slave device.
2) Tx Power Reduction (dBm-by-dBi) required when antenna exceeds 6dBi.
3) In MIMO (2Tx), Ant1+Ant2 Directional gain = GANT + 10 log(N) dBi = 2.34 + 10 log (2) = 5.34 dBi < 6 dBi.

4.4 Measured data of Power Spectrum Density test results

The more detail please refer to “Appendix of 210727070SZN-004” Appendix C.

5. Minimum 6 dB RF Bandwidth (FCC 15.407)

5.1 Operating environment

Temperature: 25 °C
Relative Humidity: 50 %
Atmospheric Pressure: 1011 hPa

5.2 Test setup & procedure

The Minimum 6 dB RF Bandwidth per 789033 D02 was measured from the antenna port of the EUT using a 50 ohm spectrum analyzer with the resolution bandwidth set at 100kHz, and set the video bandwidth (VBW) $\geq 3 \times$ RBW. For each RF output channel investigated, the spectrum analyzer center frequency was set to the channel carrier. A PEAK output reading was taken, a DISPLAY line was drawn 6 dB lower than PEAK level. The 6dB bandwidth was determined from where the channel output spectrum intersected the display line.

For 26dB down Emission Bandwidth

The 26dB down Emission Bandwidth per 789033 D02 was measured from the antenna port of the EUT using a 50 ohm spectrum analyzer with the resolution bandwidth set RBW = approximately 1% of the emission bandwidth. Set the VBW > RBW, Detector = Peak, Trace mode = max hold (Measure the maximum width of the emission that is 26 dB down from the maximum of the emission. Compare this with the RBW setting of the analyzer. Readjust RBW and repeat measurement as needed until the RBW/EBW ratio is approximately 1%).

For 99% Occupied Bandwidth

The 99% Occupied Bandwidth per 789033 D02 was measured from the antenna port of the EUT using a 50 ohm spectrum analyzer with the resolution bandwidth set center frequency to the nominal EUT channel center frequency, set span = 1.5 times to 5.0 times the OBW, set RBW = 1 % to 5 % of the OBW, set VBW $\geq 3 \times$ RBW, The 99% occupied bandwidth was determined from where the channel output spectrum intersected the display line.

5.3 Limit

Operating Frequency (MHz)	Minimum 6 dB RF Bandwidth Limit
5150~5250	N/A
5250~5350	N/A
5470~5725	N/A
5725~ 5850	≥500KHz

5.4 Measured data of 6dB down Emission Bandwidth test results

The more detail please refer to “Appendix of 210727070SZN-004” Appendix A3.

Note: 99% Occupied Bandwidth within the U-NII-1 band and 26dB Emission Bandwidth for reference. The more detail please refer to “Appendix of 210727070SZN-004” Appendix A2 and Appendix A1.

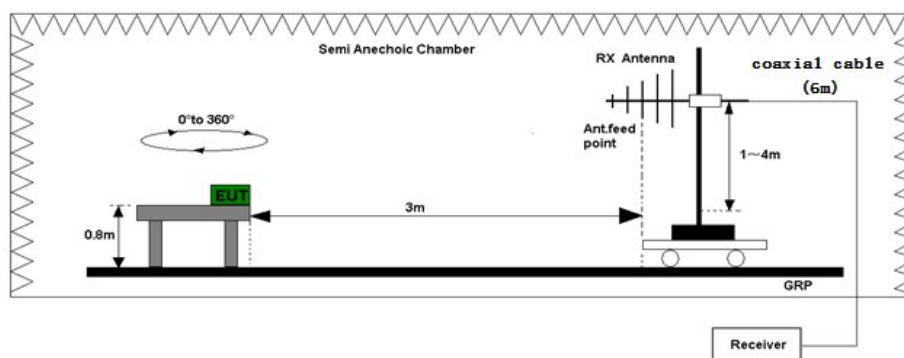
6. Radiated Emission test (FCC 15.205 & 15.209 & 15.407)

6.1 Operating environment

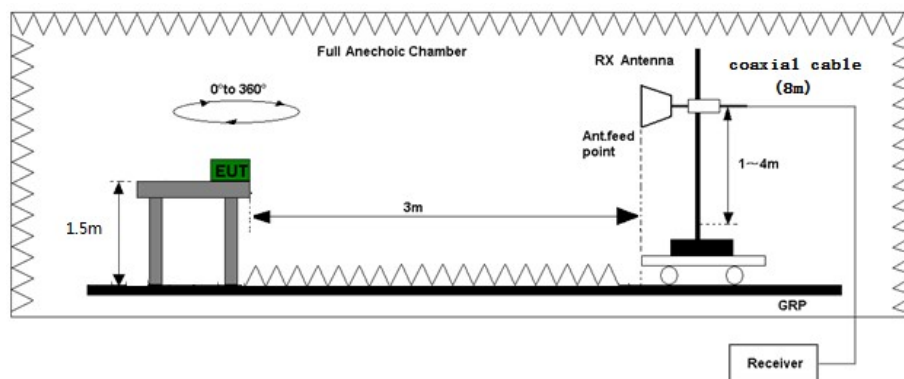
Temperature:	23	°C
Relative Humidity:	56	%
Atmospheric Pressure	1011	hPa

6.2 Test setup & procedure

The Diagram below shows the test setup, which is utilized to make these measurements.



Test set-up of radiated disturbance (Up to 1GHz)



Test set-up of radiated disturbance (Above 1GHz)

Radiated emission measurements were performed from 9kHz to tenth harmonic or 40GHz.

The EUT for testing is arranged on a styrene turntable with the height of 0.8m up to 1GHz and 1.5m above 1GHz. If some peripherals apply to the EUT, the peripherals will be connected to EUT and the whole system. During the test, all cables were arranged to produce worst-case emissions. The signal is maximized through rotation. The height of antenna and polarization is changing constantly for exploring for maximum signal level. The height of antenna can be up to 4 meters and down to 1 meter.

The measurement for radiated emission will be done at the distance of three meters unless the signal level is too low to measure at that distance. In the case of the reading under noise floor, a pre-amplifier is used and/or the test is conducted at a closer distance. And then all readings are extrapolated back to the equivalent three meter reading using inverse scaling with distance.

Testing settings (refer to KDB 789033 D02)

Quasi-Peak Measurements below 1GHz

- 1, Analyzer center frequency was set to the frequency of the radiated spurious emission.
- 2, Span=encompass the entire emission
- 3, RBW=120KHz
- 4, Detector=Quasi-Peak
- 5, Trace was allowed to stabilize

Peak Measurements above 1GHz

- 1, Analyzer center frequency was set to the frequency of the radiated spurious emission.
- 2, Span=encompass the entire emission
- 3, RBW=1MHz
- 4, VBW=3MHz
- 4, Detector= Peak (Max-hold)
- 5, Trace was allowed to stabilize

Average Measurements above 1GHz

- 1, Analyzer center frequency was set to the frequency of the radiated spurious emission.
- 2, Span=encompass the entire emission
- 3, RBW=1MHz
- 4, VBW=3MHz
- 4, Detector= RMS (Max-hold)
- 5, Trace was allowed to stabilize

6.3 Limit

The spurious Emission shall test through the 10th harmonic or 40GHz (whichever is lower). In addition, radiated emissions which fall in the restricted bands, as defined in §15.205(a), must also comply with the radiated emission limits specified in §15.209(a).

Notes:

- 1, All emission out-side of the 5.15-5.35GHz & 5.47-5.725GHz band shall not exceed an EIRP of -27dBm/MHz (68.2dB μ V/m, test distance: 3 meter), For the band 5.725-5.85GHz, all emissions shall be limited to a level of -27 dBm/MHz at 75 MHz or more above or below the band edge increasing linearly to 10 dBm/MHz at 25 MHz above or below the band edge, and from 25 MHz above or below the band edge increasing linearly to a level of 15.6 dBm/MHz at 5 MHz above or below the band edge, and from 5 MHz above or below the band edge increasing linearly to a level of 27 dBm/MHz at the band edge.
- 2, The spectrum is measured from 9kHz to the 10th harmonic of the fundamental frequency of the transmitter using QP detector below 1GHz, above 1GHz, average & peak measurements were taken using for test. The worst-case emission is reported however emission whose levels were not within 20dB of the respective limited were not reported.
- 3, The test was performed on EUT under 802.11a/n-HT20/n-HT40/ac-VHT20/VHT40 /VHT80 continuously transmitting mode. Simultaneous transmitting was considered during the testing. All mode had been tested, but only the worst-case is recorded in the following graph and table.

Field Strength Calculation

The field strength is calculated by adding the reading on the Spectrum Analyzer to the factors associated with preamplifiers (if any), antennas, cables, pulse desensitization and average factors (when specified limit is in average and measurements are made with peak detectors). A sample calculation is included below.

$$FS = RA + AF + CF - AG + PD$$

Where

- FS = Field Strength in dB μ V/m
- RA = Receiver Amplitude (including preamplifier) in dB μ V
- CF = Cable Attenuation Factor in dB
- AF = Antenna Factor in dB
- AG = Amplifier Gain in dB
- PD = Pulse Desensitization in dB

In the radiated emission table which follows, the reading shown on the data table may reflect the preamplifier gain. An example of the calculations, where the reading does not reflect the preamplifier gain, follows:

$$FS = RA + AF + CF - AG + PD$$

Example

Assume a receiver reading of 62.0 dB μ V is obtained. The antenna factor of 7.4 dB and cable factor of 1.6 dB is added. The amplifier gain of 29 dB is subtracted. The pulse desensitization factor of the spectrum analyzer was 0 dB. The net field strength for comparison to the appropriate emission limit is 32 dB μ V/m. This value in dB μ V/m was converted to its corresponding level in μ V/m.

$$\begin{aligned} RA &= 62.0 \text{ dB}\mu\text{V} \\ AF &= 7.4 \text{ dB} \\ CF &= 1.6 \text{ dB} \\ AG &= 29.0 \text{ dB} \\ PD &= 0 \text{ dB} \\ FS &= 62 + 7.4 + 1.6 - 29 + 0 = 42 \text{ dB}\mu\text{V/m} \end{aligned}$$

$$\text{Level in mV/m} = \text{Common Antilogarithm} [(42 \text{ dB}\mu\text{V/m})/20] = 125.9 \mu\text{V/m}$$

6.4 Radiated spurious emission test data

6.4.1 Measurement results: frequencies equal to or less than 1 GHz

Applicant: Shenzhen Chuangwei-RGB Electronics Co., Ltd.

Date of Test: 07 August 2021

Model: NTUD-U3

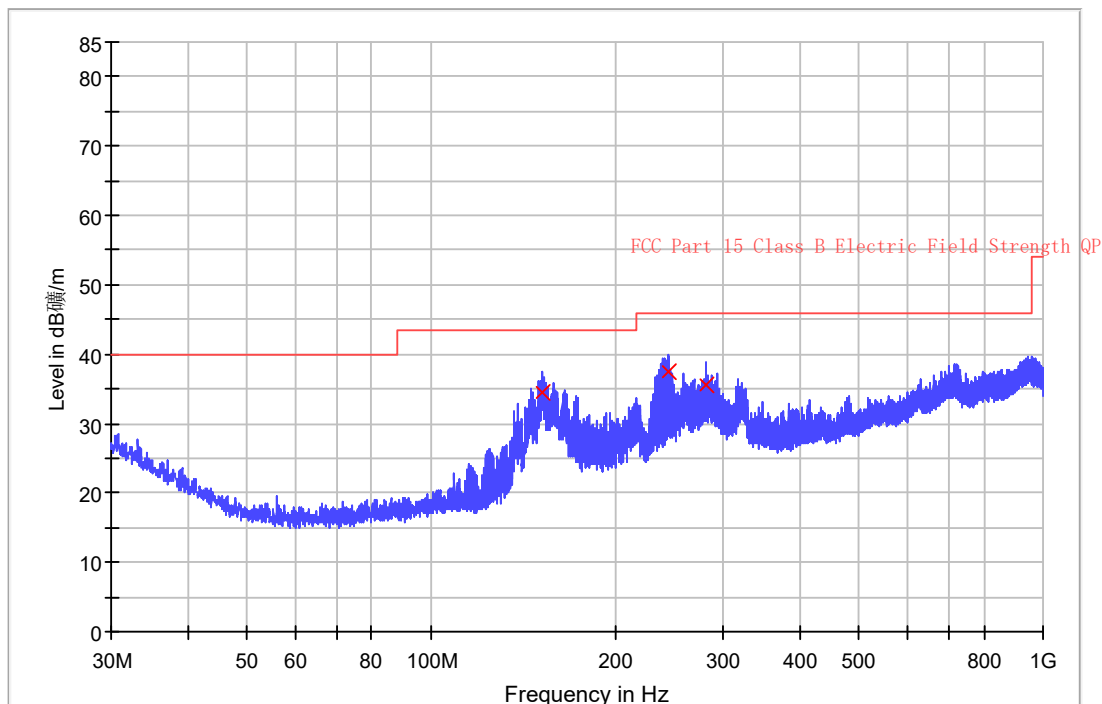
Worst Case Operating Mode:

Simultaneous transmission

Radiated Emissions

ANT Polarity: Horizontal

FCC Part 15



Frequency (MHz)	Quasi Peak (dBµV/m)	Meas. Time (ms)	Bandwidth (kHz)	Polarization	Corr. (dB/m)	Margin - QPK (dB)	Limit - QPK (dBµV/m)
151.864333	34.4	1000.0	120.000	H	16.6	9.1	43.5
244.434667	37.5	1000.0	120.000	H	19.7	8.5	46.0
281.100667	35.5	1000.0	120.000	H	20.7	10.5	46.0

NOTES:

1. Quasi-Peak detector is used for frequency below 1GHz.
2. All measurements were made at 3 meters. Harmonic emissions not detected at the 3-meter distances were measured at 0.3-meter and an inverse proportional extrapolation was performed to compare the signal level to the 3-meter limit. No other harmonic emissions than those reported were detected at a test distance of 0.3-meter.
3. Negative value in the margin column shows emission below limit.
4. All emissions are below the QP limit.

Applicant: Shenzhen Chuangwei-RGB Electronics Co., Ltd.

Date of Test: 07 August 2021

Model: NTUD-U3

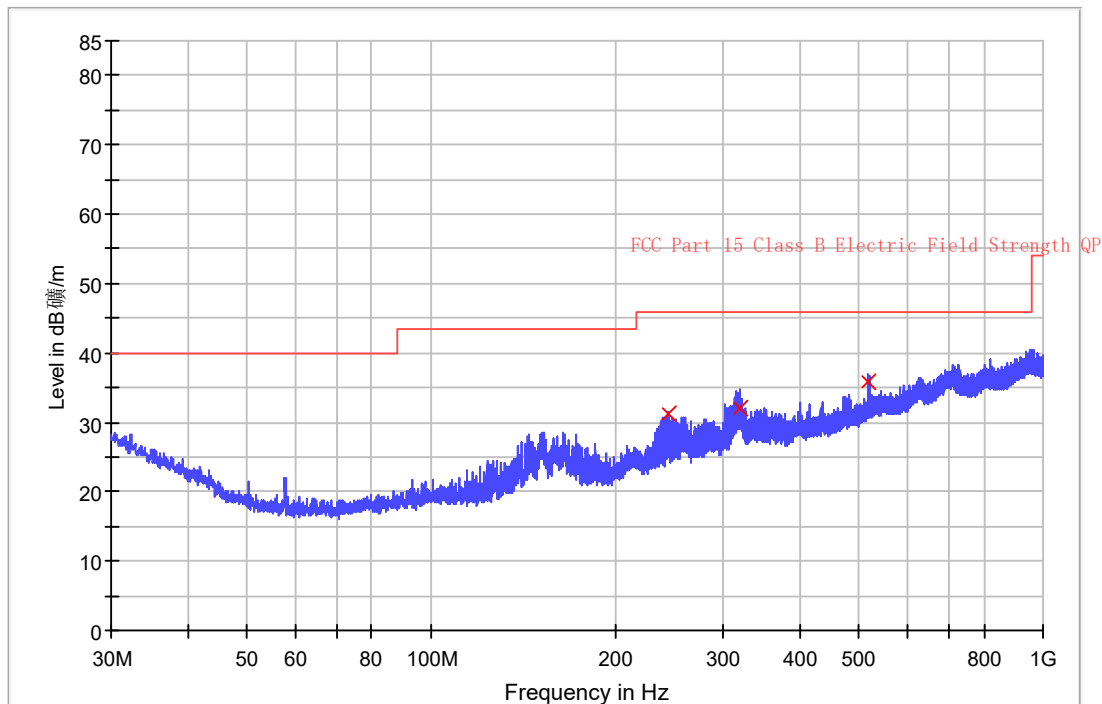
Worst Case Operating Mode:

Simultaneous transmission

Radiated Emissions

ANT Polarity: Vertical

FCC Part 15



Frequency (MHz)	Quasi Peak (dBµV/m)	Meas. Time (ms)	Bandwidth (kHz)	Polarization	Corr. (dB/m)	Margin - QPK (dB)	Limit - QPK (dBµV/m)
244.046667	31.3	1000.0	120.000	V	19.7	14.7	46.0
319.739000	32.0	1000.0	120.000	V	21.8	14.0	46.0
518.492000	35.9	1000.0	120.000	V	27.4	10.1	46.0

NOTES:

1. Quasi-Peak detector is used for frequency below 1GHz.
2. All measurements were made at 3 meters. Harmonic emissions not detected at the 3-meter distances were measured at 0.3-meter and an inverse proportional extrapolation was performed to compare the signal level to the 3-meter limit. No other harmonic emissions than those reported were detected at a test distance of 0.3-meter.
3. Negative value in the margin column shows emission below limit.
4. All emissions are below the QP limit.

6.4.2 Measurement results: frequency above 1GHz

The worst case occurred at 802.11n-HT40 MIMO

Channel 38/13.5 Mbps

Polarization	Frequency (MHz)	Reading (dBμV)	Pre-Amp Gain (dB)	Antenna Factor (dB/m)	Net at 3m (dBμV/m)	Peak Limit at 3m (dBμV/m)	Margin (dB)
Horizontal	10380.000	47.9	36.3	38.9	50.5	68.2	-17.7
Horizontal	15570.000	46.9	34.7	41.0	53.2	68.2	-15.0

Polarization	Frequency (MHz)	Reading (dBμV)	Pre-Amp Gain (dB)	Antenna Factor (dB/m)	Net at 3m (dBμV/m)	Average Limit at 3m (dBμV/m)	Margin (dB)
Horizontal	10380.000	38.2	36.3	38.9	40.8	54.0	-13.2
Horizontal	15570.000	40.0	34.7	41.0	46.3	54.0	-7.7

Channel 46/13.5 Mbps

Polarization	Frequency (MHz)	Reading (dBμV)	Pre-Amp Gain (dB)	Antenna Factor (dB/m)	Net at 3m (dBμV/m)	Peak Limit at 3m (dBμV/m)	Margin (dB)
Horizontal	10460.000	48.1	36.3	38.9	50.7	68.2	-17.5
Horizontal	15690.000	48.2	34.7	41.0	54.5	68.2	-13.7

Polarization	Frequency (MHz)	Reading (dBμV)	Pre-Amp Gain (dB)	Antenna Factor (dB/m)	Net at 3m (dBμV/m)	Average Limit at 3m (dBμV/m)	Margin (dB)
Horizontal	10460.000	39.3	36.3	38.9	41.9	54.0	-12.1
Horizontal	15690.000	39.5	34.7	41.0	45.8	54.0	-8.2

Channel 54/13.5 Mbps

Polarization	Frequency (MHz)	Reading (dBμV)	Pre-Amp Gain (dB)	Antenna Factor (dB/m)	Net at 3m (dBμV/m)	Peak Limit at 3m (dBμV/m)	Margin (dB)
Horizontal	10540.000	47.9	36.3	38.9	50.5	68.2	-17.7
Horizontal	15810.000	46.7	34.7	41.0	53.0	68.2	-15.2

Polarization	Frequency (MHz)	Reading (dBμV)	Pre-Amp Gain (dB)	Antenna Factor (dB/m)	Net at 3m (dBμV/m)	Average Limit at 3m (dBμV/m)	Margin (dB)
Horizontal	10540.000	37.3	36.3	38.9	39.9	54.0	-14.1
Horizontal	15810.000	38.5	34.7	41.0	44.8	54.0	-9.2

Channel 62/13.5 Mbps

Polarization	Frequency (MHz)	Reading (dB μ V)	Pre-Amp Gain (dB)	Antenna Factor (dB/m)	Net at 3m (dB μ V/m)	Peak Limit at 3m (dB μ V/m)	Margin (dB)
Horizontal	10620.000	48.9	36.3	38.9	51.5	68.2	-16.7
Horizontal	15930.000	48.0	34.7	41.0	54.3	68.2	-13.9

Polarization	Frequency (MHz)	Reading (dB μ V)	Pre-Amp Gain (dB)	Antenna Factor (dB/m)	Net at 3m (dB μ V/m)	Average Limit at 3m (dB μ V/m)	Margin (dB)
Horizontal	10620.000	39.2	36.3	38.9	41.8	54.0	-12.2
Horizontal	15930.000	38.9	34.7	41.0	45.2	54.0	-8.8

Channel 102/13.5 Mbps

Polarization	Frequency (MHz)	Reading (dB μ V)	Pre-Amp Gain (dB)	Antenna Factor (dB/m)	Net at 3m (dB μ V/m)	Peak Limit at 3m (dB μ V/m)	Margin (dB)
Horizontal	11020.000	47.7	36.3	38.9	50.3	68.2	-17.9
Horizontal	16530.000	45.7	34.7	41.0	52.0	68.2	-16.2

Polarization	Frequency (MHz)	Reading (dB μ V)	Pre-Amp Gain (dB)	Antenna Factor (dB/m)	Net at 3m (dB μ V/m)	Average Limit at 3m (dB μ V/m)	Margin (dB)
Horizontal	11020.000	37.4	36.3	38.9	40.0	54.0	-14.0
Horizontal	16530.000	39.2	34.7	41.0	45.5	54.0	-8.5

Channel 110/13.5 Mbps

Polarization	Frequency (MHz)	Reading (dB μ V)	Pre-Amp Gain (dB)	Antenna Factor (dB/m)	Net at 3m (dB μ V/m)	Peak Limit at 3m (dB μ V/m)	Margin (dB)
Horizontal	11100.000	49.4	36.3	38.9	52.0	68.2	-16.2
Horizontal	16650.000	47.9	34.7	41.0	54.2	68.2	-14.0

Polarization	Frequency (MHz)	Reading (dB μ V)	Pre-Amp Gain (dB)	Antenna Factor (dB/m)	Net at 3m (dB μ V/m)	Average Limit at 3m (dB μ V/m)	Margin (dB)
Horizontal	11100.000	39.5	36.3	38.9	42.1	54.0	-11.9
Horizontal	16650.000	38.4	34.7	41.0	44.7	54.0	-9.3

Channel 134/13.5 Mbps

Polarization	Frequency (MHz)	Reading (dB μ V)	Pre-Amp Gain (dB)	Antenna Factor (dB/m)	Net at 3m (dB μ V/m)	Peak Limit at 3m (dB μ V/m)	Margin (dB)
Horizontal	11340.000	46.7	36.3	39.0	49.4	68.2	-18.8
Horizontal	17010.000	45.8	34.7	41.2	52.3	68.2	-15.9

Polarization	Frequency (MHz)	Reading (dB μ V)	Pre-Amp Gain (dB)	Antenna Factor (dB/m)	Net at 3m (dB μ V/m)	Average Limit at 3m (dB μ V/m)	Margin (dB)
Horizontal	11340.000	37.7	36.3	39.0	40.4	54.0	-13.6
Horizontal	17010.000	38.6	34.7	41.2	45.1	54.0	-8.9

Channel 151/13.5 Mbps

Polarization	Frequency (MHz)	Reading (dB μ V)	Pre-Amp Gain (dB)	Antenna Factor (dB/m)	Net at 3m (dB μ V/m)	Peak Limit at 3m (dB μ V/m)	Margin (dB)
Horizontal	11510.000	49.1	36.3	39.0	51.8	68.2	-16.4
Horizontal	17265.000	47.3	34.7	41.2	53.8	68.2	-14.4

Polarization	Frequency (MHz)	Reading (dB μ V)	Pre-Amp Gain (dB)	Antenna Factor (dB/m)	Net at 3m (dB μ V/m)	Average Limit at 3m (dB μ V/m)	Margin (dB)
Horizontal	11510.000	39.1	36.3	39.0	41.8	54.0	-12.2
Horizontal	17265.000	37.8	34.7	41.2	44.3	54.0	-9.7

Channel 159/13.5 Mbps

Polarization	Frequency (MHz)	Reading (dB μ V)	Pre-Amp Gain (dB)	Antenna Factor (dB/m)	Net at 3m (dB μ V/m)	Peak Limit at 3m (dB μ V/m)	Margin (dB)
Horizontal	11590.000	46.9	36.3	39.0	49.6	68.2	-18.6
Horizontal	17385.000	45.8	34.7	41.2	52.3	68.2	-15.9

Polarization	Frequency (MHz)	Reading (dB μ V)	Pre-Amp Gain (dB)	Antenna Factor (dB/m)	Net at 3m (dB μ V/m)	Average Limit at 3m (dB μ V/m)	Margin (dB)
Horizontal	11590.000	36.9	36.3	39.0	39.6	54.0	-14.4
Horizontal	17385.000	38.9	34.7	41.2	45.4	54.0	-8.6

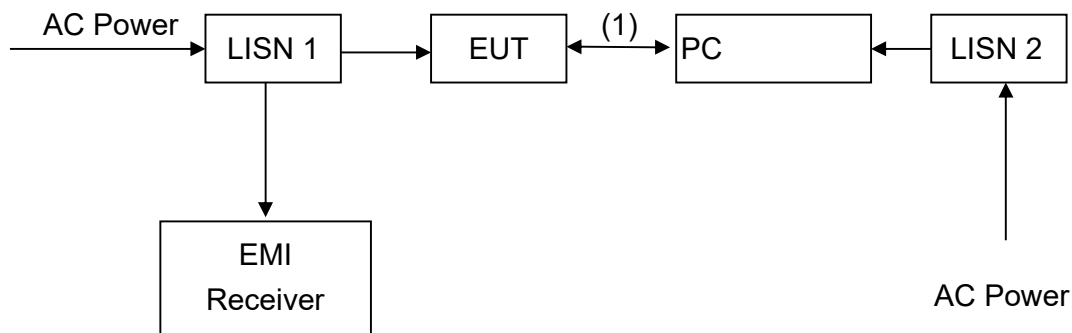
- * Emission within the restricted band meets the requirement of section 15.205. The corresponding limit as per 15.209 is based on Quasi peak limit for frequencies below 1000 MHz and average limit for frequencies over 1000 MHz. The radio frequency emissions above 1GHz also meet corresponding 20dB permitted peak limit with a peak detector function. All unwanted emissions outside of the 5.15-5.35GHz & 5.47-5.725GHz & 5725-5850 bands are complied with the limit.

7. Power Line Conducted Emission test

7.1 Operating environment

Temperature: 23 °C
Relative Humidity: 55 %
Atmospheric Pressure 1011 hPa

7.2 Test setup & procedure



The EUT are connected to the main power through a line impedance stabilization network (LISN). This provides a 50 ohm/50 uH coupling impedance for the measuring equipment. The peripheral devices are also connected to the main power through a LISN that provides a 50 ohm/50 uH coupling impedance with 50 ohm termination. Both sides (Line and Neutral) of AC line are checked for maximum conducted interference. In order to find the maximum emission, the relative positions of equipment and all of the interface cables must be changed according to ANSI C63.10/2013 on conducted measurement. The bandwidth of the field strength meter (R & S Test Receiver ESCI 30) is set at 9 kHz.

7.3 Limit

Frequency (MHz)	Conducted Limit (dBµV)	
	Q.P.	Ave.
0.15~0.50	66 – 56*	56 – 46*
0.50~5.00	56	46
5.00~30.0	60	50

*Decreases with the logarithm of the frequency.

7.4 Power Line Conducted Emission test data

Applicant: Shenzhen Chuangwei-RGB Electronics Co., Ltd.

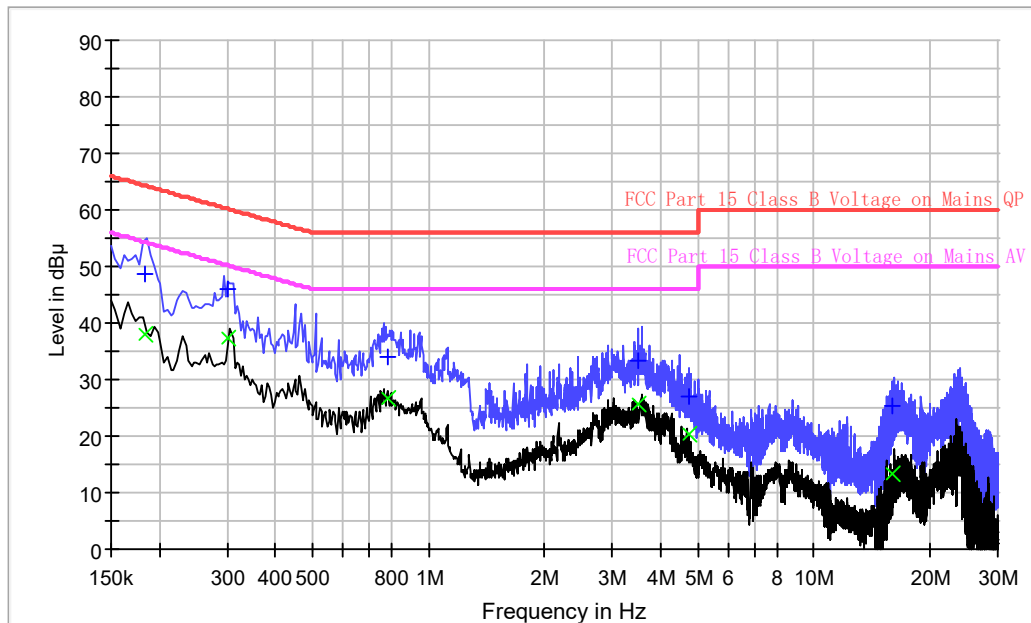
Date of Test: 03 August 2021

Model: NTUD-U3

Worst Case Operating Mode:

Simultaneous transmission

Phase: Live



Result Table QP

Frequency (MHz)	Quasi Peak (dB μ V)	Line	Corr. (dB)	Margin (dB)	Limit (dB μ V)
0.184069	48.6	L	9.5	15.7	64.3
0.302000	45.8	L	9.5	14.4	60.2
0.786000	34.0	L	9.5	22.0	56.0
3.498000	33.4	L	9.5	22.6	56.0
4.718000	27.1	L	9.5	28.9	56.0
16.038000	25.3	L	10.1	34.7	60.0

Result Table AV

Frequency (MHz)	Average (dB μ V)	Line	Corr. (dB)	Margin (dB)	Limit (dB μ V)
0.184069	38.0	L	9.5	16.3	54.3
0.302000	37.2	L	9.5	13.0	50.2
0.786000	26.6	L	9.5	19.4	46.0
3.498000	25.6	L	9.5	20.4	46.0
4.718000	20.3	L	9.5	25.7	46.0
16.038000	13.2	L	10.1	36.8	50.0

Remark:

1. Corr. Factor (dB) = LISN Factor (dB) + Cable Loss (dB)
2. Margin (dB) = Limit (dB μ V) – Level (dB μ V)

Applicant: Shenzhen Chuangwei-RGB Electronics Co., Ltd.

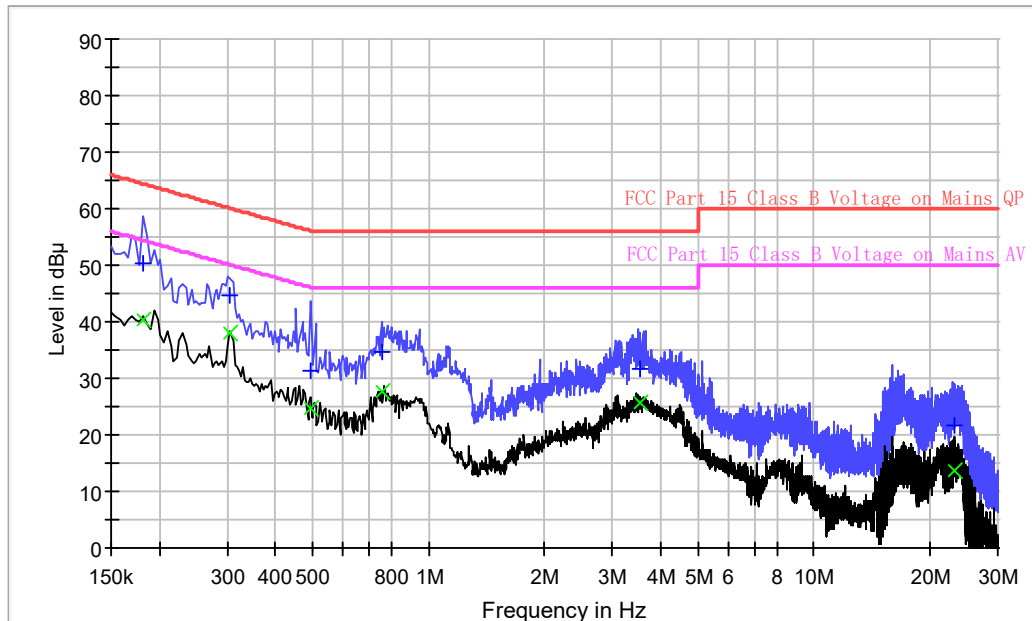
Date of Test: 03 August 2021

Model: NTUD-U3

Worst Case Operating Mode:

Simultaneous transmission

Phase: Neutral



Result Table QP

Frequency (MHz)	Quasi Peak (dBμV)	Line	Corr. (dB)	Margin (dB)	Limit (dBμV)
0.182000	50.3	N	9.5	14.1	64.4
0.306000	44.7	N	9.5	15.4	60.1
0.494000	31.4	N	9.5	24.7	56.1
0.754000	34.8	N	9.5	21.2	56.0
3.538000	31.8	N	9.5	24.2	56.0
23.130000	21.6	N	10.7	38.4	60.0

Result Table AV

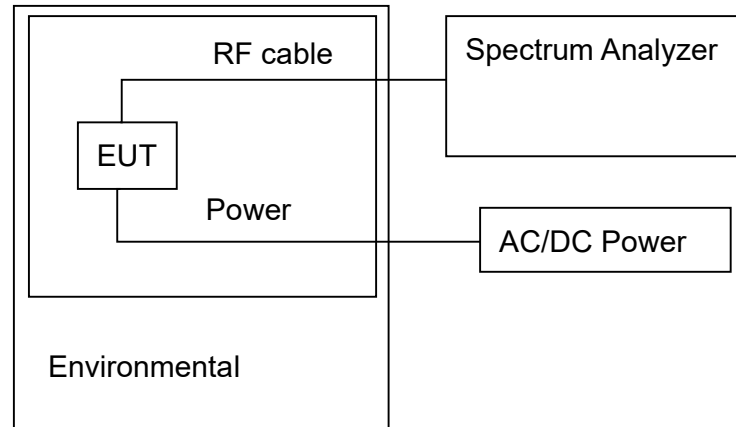
Frequency (MHz)	Average (dBμV)	Line	Corr. (dB)	Margin (dB)	Limit (dBμV)
0.182000	40.2	N	9.5	14.2	54.4
0.306000	38.0	N	9.5	12.1	50.1
0.494000	24.6	N	9.5	21.5	46.1
0.754000	27.6	N	9.5	18.4	46.0
3.538000	25.8	N	9.5	20.2	46.0
23.130000	13.6	N	10.7	36.4	50.0

Remark:

1. Corr. Factor (dB) = LISN Factor (dB) + Cable Loss (dB)
2. Margin (dB) = Limit (dBμV) – Level (dBμV)

8. Frequency Stability Test

8.1 Test setup & procedure



Note1: The frequency stability is measured with the temperature variation range of -30°C to $+50^{\circ}\text{C}$, and voltage supply variation range of 90% to 110% of nominal DC supply voltage.

Note2: To ensure emission at the band-edge is maintained within the authorized band, the frequency 802.11a/n-HT20/n-HT40/ac-VHT20/HTV40/VHT80 channel 36, 48, 52, 64, 100, 140, 149, 165, 38, 46, 54, 62, 102, 134, 151, 159, 42, 58, 106, 122, 155 are selected to test and the worst case was reported.

8.2 Frequency Stability Test Data

20°C is taken as temperature in normal condition (NT).

3.3VDC is normal voltage (NV)

2.97VDC is low voltage (LV)

3.63VDC is high voltage (HV)

The more detail please refer to "Appendix of 210727070SZN-004" Appendix D.

Note: All emissions are maintained within the band of operation under all conditions of normal operation as specified in the user manual. It fulfills the requirement of 15.407(g).

9. Dynamic Frequency Selection (DFS) (FCC 15.407)

9.1 Requirement

Applicability of DFS Requirements Prior to Use of a Channel

Requirement	Operational Mode		
	Master	Client Without Radar Detection	Client with Radar Detection
Non-Occupancy Period	Yes	Not Required	Yes
DFS Detection Threshold	Yes	Not Required	Yes
Channel Availability Check Time	Yes	Not Required	Not Required
U-NII Detection Bandwidth	Yes	Not Required	Yes

Applicability of DFS requirements during normal operation

Requirement	Operational Mode	
	Master Device or Client with Radar Detection	Client Without Radar Detection
DFS Detection Threshold	Yes	Not Required
Channel Closing Transmission Time	Yes	Yes
Channel Move Time	Yes	Yes
U-NII Detection Bandwidth	Yes	Not Required

Additional requirements for devices with multiple bandwidth modes	Master Device or Client with Radar Detection	Client Without Radar Detection
U-NII Detection Bandwidth and Statistical Performance Check	All BW modes must be tested	Not required
Channel Move Time and Channel Closing Transmission Time	Test using widest BW mode available	Test using the widest BW mode available for the link
All other tests	Any single BW mode	Not required

Note: Frequencies selected for statistical performance check should include several frequencies within the radar detection bandwidth and frequencies near the edge of the radar detection bandwidth. For 802.11 devices it is suggested to select frequencies in each of the bonded 20 MHz channels and the channel center frequency.

Note: EUT is a client without DFS detection capabilities.

9.1.1 DFS Detection Thresholds for Master or Client Devices with DFS Detection

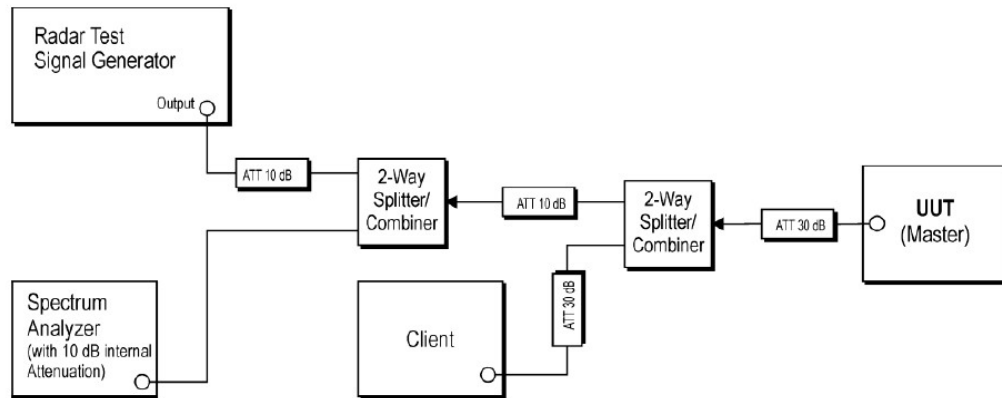
Maximum Transmit Power	Values (See Notes 1, 2, and 3)
EIRP \geq 200 milliwatt	-64 dBm
EIRP < 200 milliwatt and power spectral density < 10 dBm/MHz	-62 dBm
EIRP < 200 milliwatt that do not meet the power spectral density requirement	-64 dBm
<p>Note 1: This is the level at the input of the receiver assuming a 0 dBi receive antenna.</p> <p>Note 2: Throughout these test procedures an additional 1 dB has been added to the amplitude of the test transmission waveforms to account for variations in measurement equipment. This will ensure that the test signal is at or above the detection threshold level to trigger a DFS response.</p> <p>Note 3: EIRP is based on the highest antenna gain. For MIMO devices refer to KDB Publication 662911 D01.</p>	

Parameter	Value
Non-Occupancy Period	Minimum 30 minutes
Channel Availability Check Time	60 Seconds
Channel Move Time	10 seconds (see note 1)
Channel Closing Transmission Time	200 ms + an aggregate of 60 ms over remaining 10 Second period. (see note 1 and 2)
U-NII Detection Bandwidth	Minimum 100% of the U-NII 99% transmission power bandwidth. (see note 3)
<p>Note 1: Channel Move Time and the Channel Closing Transmission Time should be performed with Radar Type 0. The measurement timing begins at the end of the Radar Type 0 burst.</p> <p>Note 2: The Channel Closing Transmission Time is comprised of 200 milliseconds starting at the beginning of the Channel Move Time plus any additional intermittent control signals required to facilitate a Channel move (an aggregate of 60 milliseconds) during the remainder of the 10 second period. The aggregate duration of control signals will not count quiet periods in between transmissions.</p> <p>Note 3: During the U-NII Detection Bandwidth detection test, radar type 0 should be used. For each frequency step the minimum percentage of detection is 90 percent. Measurements are performed with no data traffic.</p>	

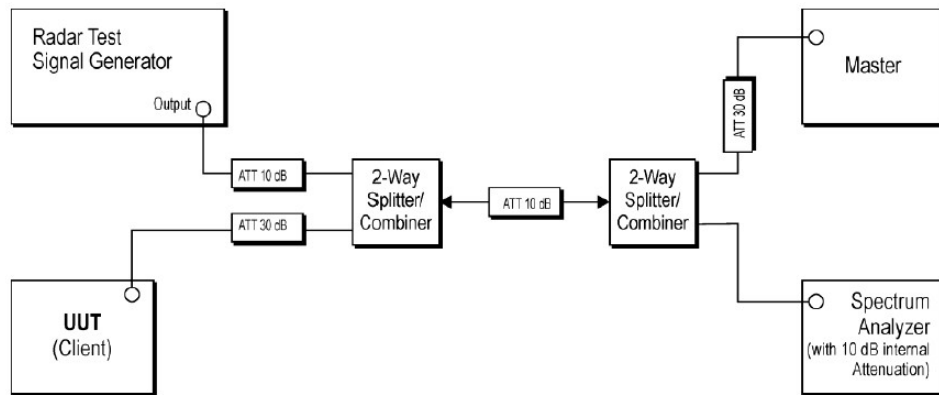
9.1.2 Radar Test Waveforms

Test procedures were made in accordance to KDB 905462 D02 UNII DFS Compliance Procedures New Rules v02, for more radar test waveform details please refer section 6 of KDB 905462 D02 UNII DFS Compliance Procedures New Rules v02.

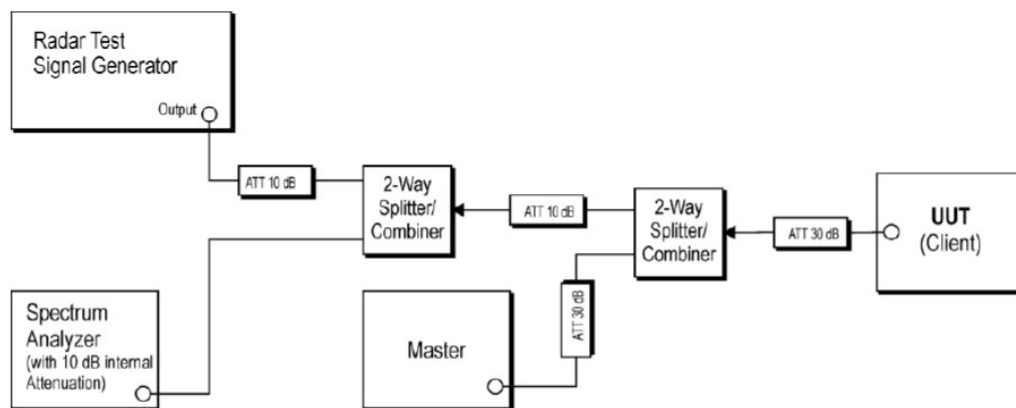
9.2 Test setup



Setup for Master with injection at the Master



Setup for Client with injection at the Master



Setup for Client with injection at the Client

Note: EUT is a client without DFS detection capabilities. Test procedures were made in accordance to KDB 905462 D02 UNII DFS Compliance Procedures New Rules v02. DFS testing was setup as a client with injection into the master.

9.3 In-Service Monitoring for Channel Move Time, Channel Closing Transmission Time and Non- Occupancy Period

9.3.1 Test Procedure

The EUT was configured to communicate with a master device. The test file was streamed from the Master to the Client (EUT) on the selected test channel. Measurements were made while utilizing the widest bandwidth of the EUT.

Channel closing transmission time and channel move time were measured by applying a radar type 0 at threshold + 1dB to the EUT. The EUT transmissions were observed on the EUT center channel. The time between the end of the applied radar waveform and the final transmission on the channel is the channel move time. The channel closing transmission time comprises only those fragments of the channel move time during which the EUT transmits.

The Channel Move time shall be less than 10 seconds

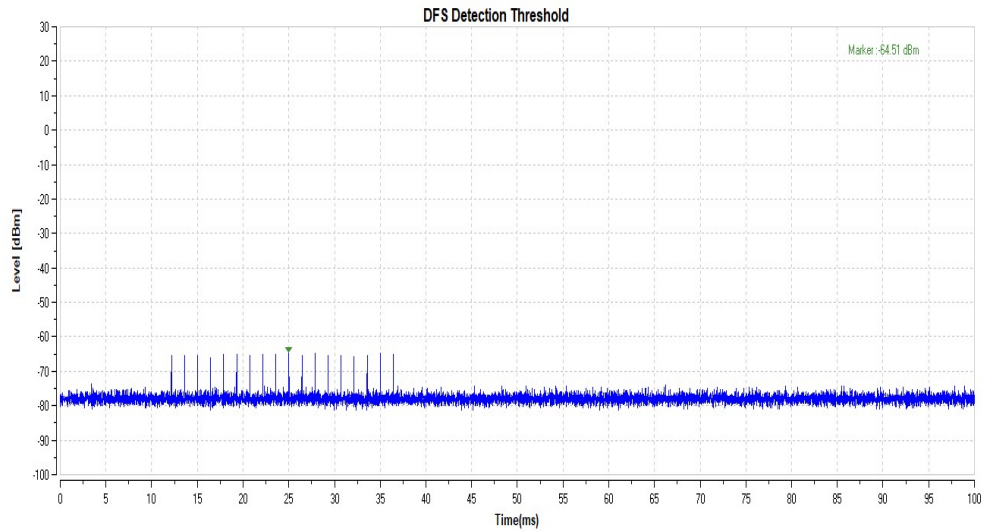
The Channel Close time shall be 200ms +60ms of aggregate time.

The Non-occupancy time shall 30 minutes or greater.

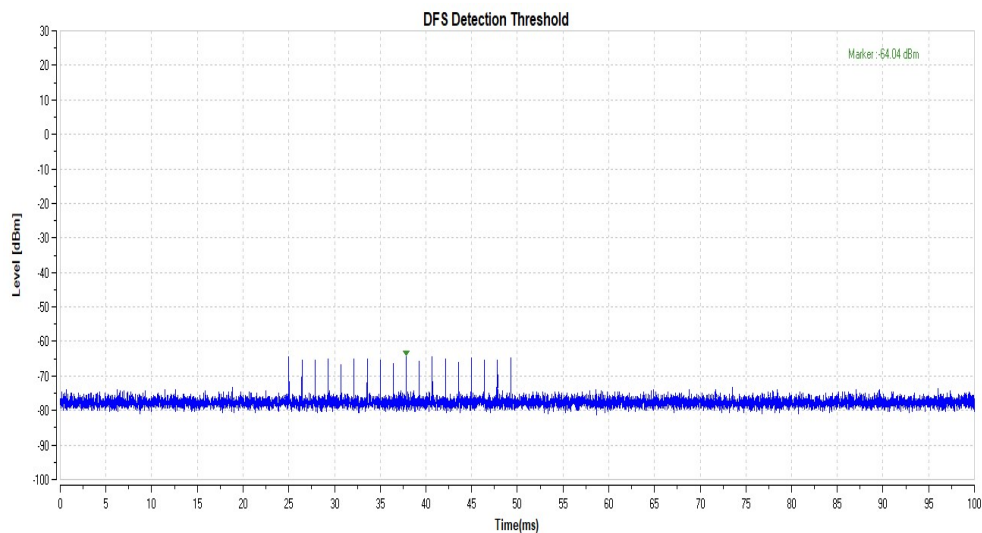
9.3.2 Calibration Results

Radar Type 0 Calibration:

Frequency	Radar Waveform Length:	Detection Threshold level
5290MHz	0.025704s	-64.51 dBm



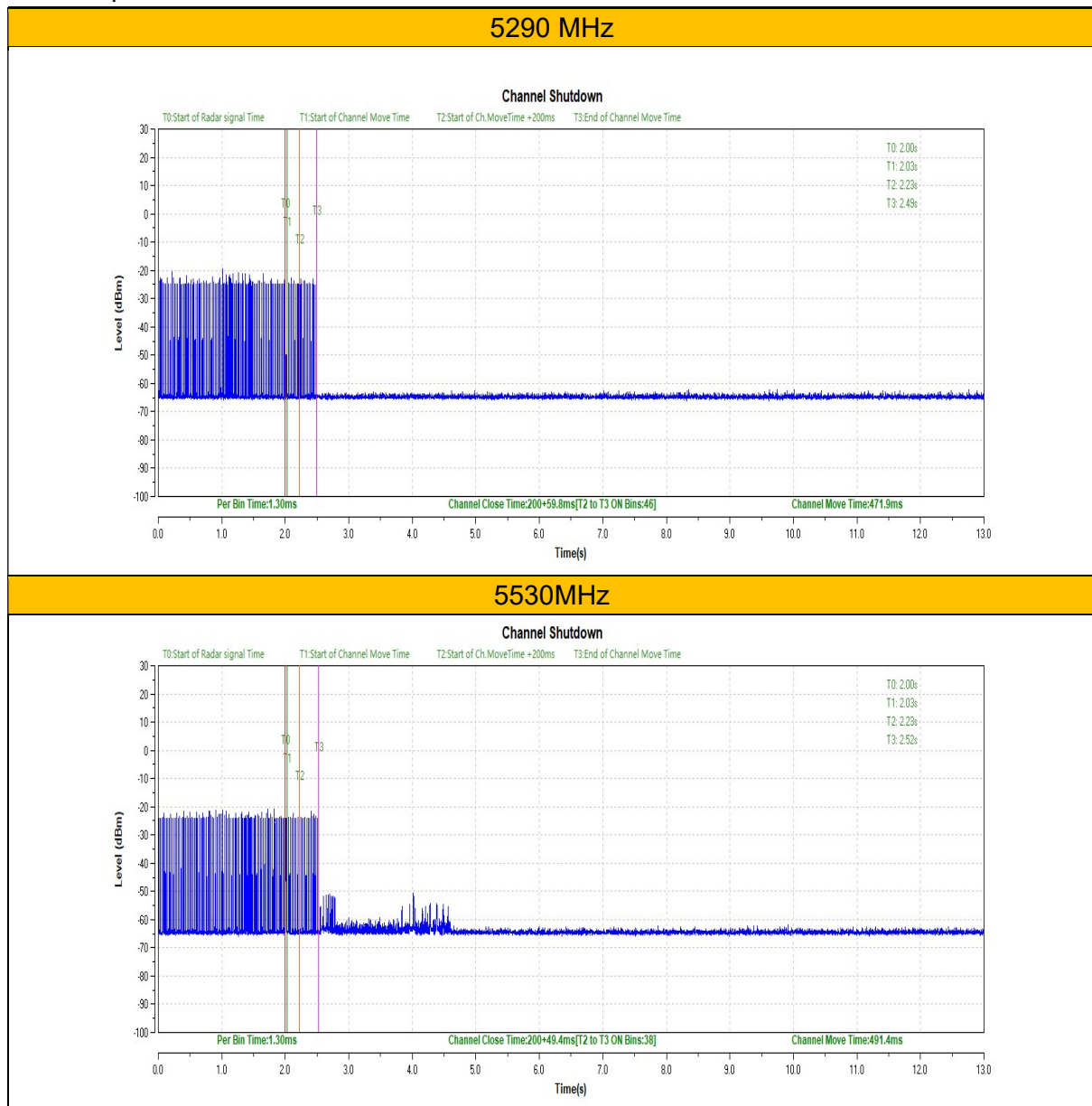
Frequency	Radar Waveform Length:	Detection Threshold level
5530MHz	0.025704s	-64.04 dBm



9.3.3 Channel Move time and Channel Closing Transmission Time Test Results

Frequency	Bandwidth	Channel Move Time [ms]	Limit [ms]	Channel Closing Transmission [ms]	Limit [ms]	Verdict
5290MHz	80 MHz	471.9	10000	200+59.8	200+60	PASS
5530MHz	80 MHz	491.4	10000	200+49.4	200+60	PASS

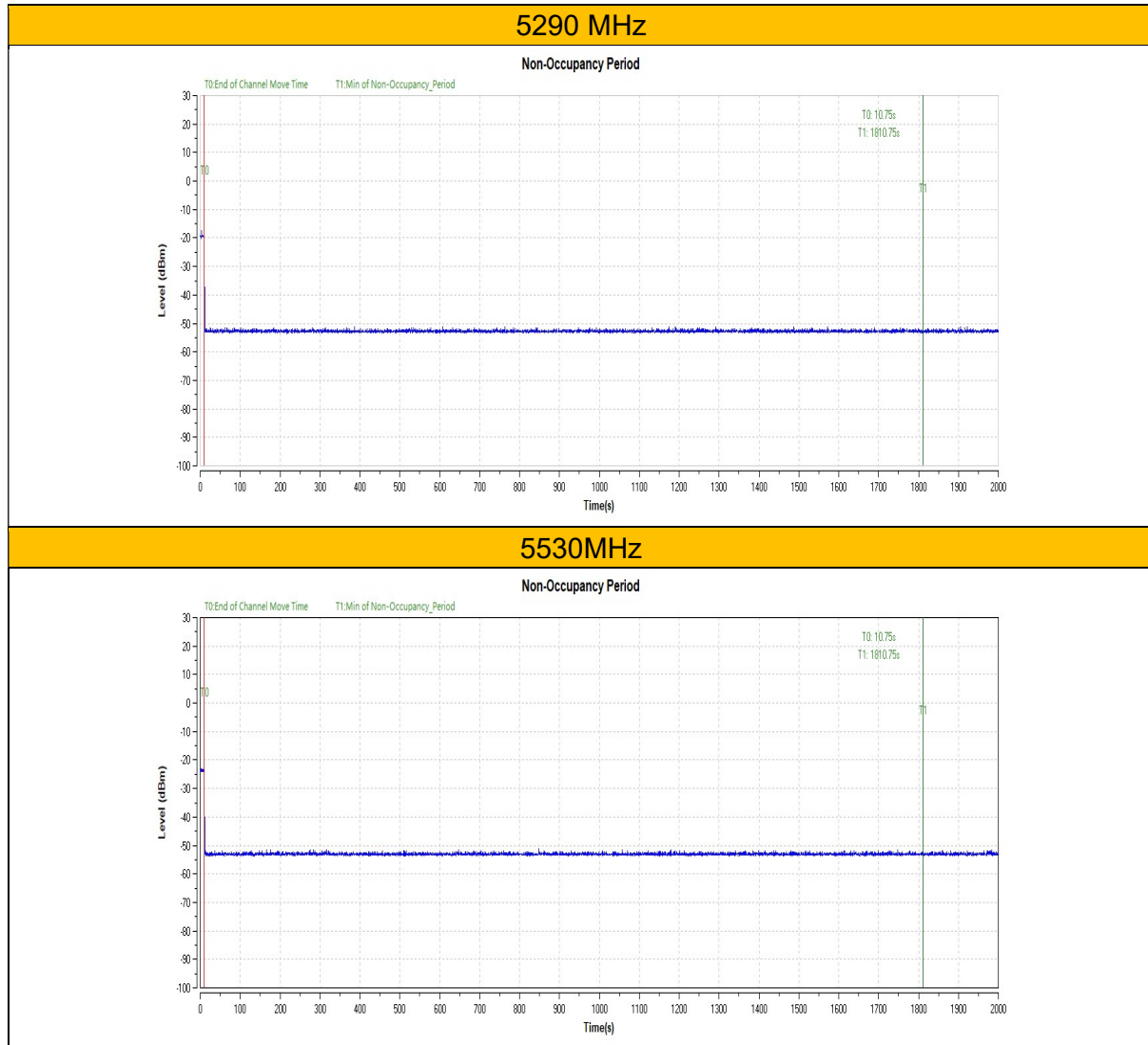
Test Graph:



9.3.4 Non-Occupancy Period Test Results

Frequency	Bandwidth	Measured Value	Limit Requirements	Verdict
5290MHz	80 MHz	> 30min	30min	Pass
5530MHz	80 MHz	> 30min	30min	Pass

Test Graph:



Appendix A: Test equipment list

Equipment No.	Equipment	Manufacturer	Model No.	Serial No.	Cal. Date	Due Date
SZ182-02	RF Power Meter	Anritsu	ML2496A	1302005	2021-05-10	2022-05-10
SZ182-02-01	Pulse Power Sensor	Anritsu	MA2411B	1207429	2021-05-10	2022-05-10
SZ070-20	Combiner	Mini-Circuits	ZN2PD-63-S+	---	2021-05-11	2022-05-11
SZ070-21	Combiner	Mini-Circuits	ZN2PD-63-S+	---	2021-05-11	2022-05-11
SZ056-05	Spectrum Analyzer	Agilent	E4407B	US40522113	2020-12-22	2021-12-22
SZ180-13	MXG Vector Signal Generator	Keysight	N5182B	MY53051328	2020-10-27	2021-10-27
SZ061-13	BiConiLog Antenna	ETS	3142E	00217919	2019-06-10	2022-06-10
SZ061-06	Active Loop Antenna	Electro-Metrics	EM-6876	217	2021-05-18	2023-05-18
SZ061-09	Horn Antenna	ETS	3115	00092346	2020-10-17	2022-10-17
SZ061-07	Pyramidal Horn Antenna	ETS	3160-09	00083067	2019-08-13	2022-08-13
SZ185-02	EMI Receiver	R&S	ESCI	100692	2021-07-12	2022-07-12
SZ056-07	Signal Analyzer	R&S	FSV40	101214	2020-10-27	2021-10-27
SZ181-04	Preamplifier	Agilent	8449B	3008A02474	2021-05-10	2022-05-10
SZ188-01	Anechoic Chamber	ETS	RFD-F/A-100	4102	2018-12-15	2021-12-15
SZ062-02	RF Cable	RADIALL	RG 213U	--	2021-06-01	2021-12-01
SZ062-05	RF Cable	RADIALL	0.04-26.5GHz	--	2021-06-01	2021-12-01
SZ062-12	RF Cable	RADIALL	0.04-26.5GHz	--	2021-06-01	2021-12-01
SZ067-25	Notch Filter	Micro-Tronics	BRM50716	--	2021-03-23	2022-03-23
SZ067-04	Notch Filter	Micro-Tronics	BRM50702-02	--	2021-05-11	2022-05-11
SZ187-02	Two-Line V-Network	R&S	ENV216	100073	2021-05-12	2022-05-12
SZ188-03	Shielding Room	ETS	RFD-100	4100	2020-01-07	2023-01-07
SZ016-12	Programmable Temperature & Humidity Chamber	Taili	MHK-120NK	AB0105	2021-01-12	2022-01-12
SZ006-30	DC Power Supply	Guwei	SPS-3610	GEQ920551	2021-01-05	2022-01-05

Expanded uncertainty of radiated emission measurement is ± 4.9 dB.

Expanded uncertainty of conducted emission measurement is ± 3.6 dB.

***** End of Report*****