

- ◆ Damp or dust place
- ◆ High-temperature or sunlight place
- ◆ Sealed place in the sun
- ◆ Very low temperature place
- ◆ Strong vibrated place.

PREPARATORY WORK

1.CHARGING CAMERA

- 1.1 Connect USB Cable to the camera (#16) and to charging accessory.
- 1.2 Plug in wall or car receptacle and begin charging, indicator light(#8) constant green, after full charging, the light will turn off automatically.

2.FORMAT

- 2.1 Open the USB cover (#12), insert a compatible Genuine TF card (higher than Class 6) into the card slot, please make sure that card logo is facing up, errors or rough operation will break the memory card.
- 2.2 Long press POWER button (#2) 2s to turn on the camera, Status indicator lamp(#8) constant red.
- 2.3 Press FORMAT button (#4), the formatting can be completed.

3.RESET

When the machine is caused by illegal operation, abnormal situation, users can set the native restored to factory settings through this function.Press RESET button(#1), again after boot, this machine can be back to normal.

4. CONTENT



- LidCam
- AV cable
- USB cable
- Apple adaptor
- 12 Volt charger
- User Manua

5. ADJUSTING DATE / TIME

- 5.1 Connect the camera and TV with AV cable or HDMI cable, and then press POWER button(#2) to switch on the machine.
- 5.2 Long press POWER button(#2) to enter date / time adjusting menu.
- 5.3 Short press PHOTO/ VIDEO button(#3) to switch between Date / Time option.
- 5.4 Short press POWER button(#2) to set the date / time (Year: Circulating from 2010 ~2030), quit the setting option by selecting "Yes" or "No", long press PHOTO / VIDEO button(#3) to perform select.

6. SWITCH WORK MODE

◆ Video mode

The Camera has three work modes: video, photo and playback mode.

- 6.1 Turning on the camera, then roll mode switch button (#7) to Video mode, then press PHOTO / VIDEO button (#3) to begin recording, indicator light will flash red.
- 6.2 Press PHOTO/ VIDEO button(#3) again to stop recording, it will back to stay-by state.
- ◆ Photo mode
- 6.3 Turning on the camera, then roll mode switch button (#7) to Photo mode, then press PHOTO / VIDEO button (#3) to shoot photos, indicator light will flash red one time per photo shooting.

6.4 After taking photos, the machine will back to stay-by state. Do not take out Micro SD card under working or storing state for it may lead to close down, crash or date missing.

◆ Playback mode

Play the photo or watch the video on the machine at the photo playback mode or video playback mode.

- 6.5 Connect the Camera to TV set by AV cable or HDMI cable.
- 6.6 Press POWER button (#2) to turn on the camera, switch the mode button to Video mode, then long press PHOTO / VIDEO button (#3) to enter VIDEO / JPEG options, short press

- 6.7 In photo playback mode, short press PHOTO / VIDEO button (#3) to page up, short press POWER button (#2) to page down; in video file mode, short press PHOTO / VIDEO button (#3) to page up, short press POWER button (#2) to page down; long press PHOTO / VIDEO button (#3) to play the currently selected file, long press POWER button (#2) to the preview mode. in the process of play, short press PHOTO / VIDEO button (#3) to quit.
- 6.8 Long press POWER button (#2) again to return to preview mode(mode button decides to return back to video mode or photo mode).

7. LED LIGHT COMPENSATING

When the camera working in poor light surroundings, users should turn on the LED light compensating by LED switch (#5).

8. STATE OF INDICATOR

Working state	Indicator lamp state
Stand-by	Red light on
Recording	Red flashing light
Charging	Green light on
Full charging	Indicator lamp off
Low battery	Light quick flashing

9. DIRECT COMPUTER CONNECTION

- 9.1 Connect using supplied USB cable, green light will come to indicate the unit is charging.
- 9.2 Press POWER button (#2) to turn on the camera and use as a card reader.
- 9.3 Prompt will pop up on screen to view pictures or download videos, select it..



In order to get high quality video or image files, we recommend users to use the TF memory card higher than Class 4.

10. OPEN / CLOSE WIFI MODE

Turn on the camera, the default WIFI is closed, short press WIFI button (#17) can open the WIFI, when begin to connect the WIFI, indicator light will flash, after complete connection, indicator light constant on. (In order to save power, if there is on terminal connection within 1 minute after WIFI is turned on, WIFI will shut down automatically)

11. APP (Support Android and Apple system)

11.1 How to get the APP install program?

11.1.1 Android system users search " iSmart DV " in Gogol play to get install program and according to the prompts to install.



11.1.2 Apple system users search " iSmart DV " in APP Store to get install program and according to the prompts to install.



11.2 The Android system applications

11.2.1 Install iSmart DV application (provided by the supplier or the Internet) on the Android mobile phone or tablet PC; after installation completed, there will display the corresponding icon on the screen.

ABOUT

This manual can only be the guide of general using. We will try our best to keep it updated in time, if there is any place of disagreement, please refer to our machine products, without prior notice.

All images in this manual are for reference only, please refer to our final product.

Before operating the camera, please read the user manual carefully and keep it as a reference in the future.

PRECAUTION

The electromagnetic fields of particular frequency affect the picture and sound.

- ◆ If the data transmission interrupted or failed due to static electricity or electromagnetic field, please restart the application or cut off the connection, and connect USB/ AV/ HDMI again.
- ◆ Do not store the product in dusty area, as it components may be damaged.
- ◆ Do not attempt to open the casing or attempt your own repairs.
- ◆ Do not use harsh chemicals, cleaning solvents or strong detergent to clean product, wipe the products with a slightly damp soft cloth.

WARNING

To reduce the risk of fire, explosion or electric shock, the camera shall not be exposed to excessive heat or water (the Camera is not waterproof).

Please do not disassemble the product without authorization, witch may lead to electric shock or equipment damage, we do not charge the responsible of user's illegal operation.

OPERATION ENVIRONMENT

This camera is designed for use in the temperature ranging from 0°C to 45°C (32°F to 113°F).

Do not use or keep the camera under the following surroundings:

11.2.2 Turn on the camera after inserting the card, press the WIFI button to open WIFI, WIFI indicator light constant on.

11.2.3 Open the WIFI on the Android mobile phone or tablet PC, search APP wireless signal name-XXXXXX, then connect it until the system connection is successful, for the first connection with WIFI, you need to enter a password: 1234567890.

11.2.4 Click and open the application icon on the Android mobile phone or tablet PC, right now, the preview images from camera can be directly see on the mobile phone or tablet, and then do the relevant operation.

11.3 The Apple system applications

11.3.1 Install iSmart DV application (provided by the supplier or the Internet) on the Apple mobile phone or tablet PC; after installation completed, there will display the corresponding icon on the screen.

11.3.2 Turn on the camera after inserting the card, press the WIFI button to open WIFI, WIFI indicator light constant on.

11.3.3 Open the WIFI on the Apple mobile phone or tablet PC, search APP wireless signal name-XXXXXX, then connect it until the system connection is successful, for the first connection with WIFI, you need to enter a password: 1234567890.

11.3.4 Click and open the application icon on the Apple mobile phone or tablet PC, right now, the preview images from camera can be directly see on the mobile phone or tablet PC, and then do the relevant operation.

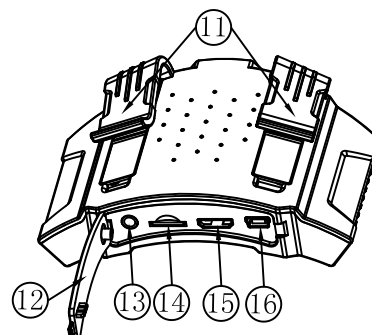
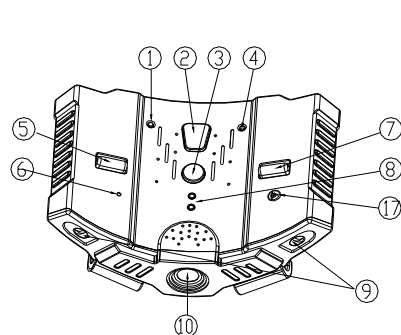
NOTICE:

1. Insert TF card before taking photos or downloading images on mobile phone or tablet PC.

When the mobile phone or tablet PC normally connects with the camera, the WIFI indicator light constant on.

12. SPECIFICATION

Sensor	CMOS 5.0 Megapixel sensor
Video resolution	1080P (1920*1080)
Lens	F/2.4, f=3.8mm
Focus Range	1m~
Photo Format	JPEG
Video Format	MOV
Angle	120°
White balance	Auto
Memory	Max. 32G, TF card
Computer connect	USB 2.0
Video output	AV out / HDMI
Battery	Built-in Li-ion battery (1150mah)



System requirements

When the camera is connected with the computer, the following requirements must be satisfied:

- ◆ Microsoft Windows 2000, XP, Vista or higher operating system
- ◆ Intel ®Pentium 4 2.8 GHz or higher
- ◆ 1GB OR higher
- ◆ Normal , USB 1.1 or higher
- ◆ Min. 2GB Hard disk

13. BUTTON FUNCTION

1. Reset button	Restart machine when it crashes.
2. Power button	Turn on /off the camera
3. Photo/Video button	Taking photo / recording video
4. Format button	Format TF card
5. LED On /Off button	Turn on/off LED light
6. MIC	Audio recording when taking video
7. Mode button	Switch Photo mode / Video mode
8. Status indicator lamp	Indicate the working status
9. LED light compensating	Light compensating at low light condition
10. Lens	Capture views
11. Cap buckle	Fasten the camera on a cap
12. USB Cover	Cover the interface
13. AV out	Connect with TV
14. Micro SD slot	Put external card in
15. HDMI interface	Connect with computer / TV
16. USB interface	Charging, reading the date after connecting with computer.
17. WIFI button	Open / Close WIFI function

Symptom	Possible causes	Solutions
Green light on, camera cannot record	Memory card is full	Delete videos in the Micro SD card
The power turns off automatically	Power saved mode	Turn on again
The videos / photos cannot be saved	The battery is exhausted; The power turns off before saving; Memory card is full.	Charge the battery; Charge the battery when shows low power; Remove the files in the TF card.
Videos/photos are out of focus	The objects are beyond focus range	Record in focus range
Memory card function cannot read	The video files are not in MOV format in the card	Format the memory card, do backup before formatting
Blurry image	The camera is not steadily held; The lens is dirty.	Hole steady when recording; Clean the lens.

FCC Statement

Changes or modifications not expressly approved by the party responsible for compliance could void the user's authority to operate the equipment.

This equipment has been tested and found to comply with the limits for a Class B digital device, pursuant to Part 15 of the FCC Rules. These limits are designed to provide reasonable protection against harmful interference in a residential installation. This equipment generates uses and can radiate radio frequency energy and, if not installed and used in accordance with the instructions, may cause harmful interference to radio communications. However, there is no guarantee that interference will not occur in a particular

installation. If this equipment does cause harmful interference to radio or television reception, which can be determined by turning the equipment off and on, the user is encouraged to try to correct the interference by one or more of the following measures:

- ◆ Reorient or relocate the receiving antenna.
- ◆ Increase the separation between the equipment and receiver.
- ◆ Connect the equipment into an outlet on a circuit different from that to which the receiver is connected.
- ◆ Consult the dealer or an experienced radio/TV technician for help

This device complies with part 15 of the FCC rules. Operation is subject to the following two conditions (1) this device may not cause harmful interference, and (2) this device must accept any interference received, including interference that may cause undesired operation