



Hobolite

AVANT

PROFESSIONAL, PORTABLE CONTINUOUS LIGHT





Hobolite

AVANT

PROFESSIONAL, PORTABLE CONTINUOUS LIGHT

OPERATION MANUAL

PRODUCT INTRODUCTION

AVANT — beautiful and ultra-portable, the 100W Avant easily fits in a bag, so you have powerful bi-color LED lighting for any photoshoot

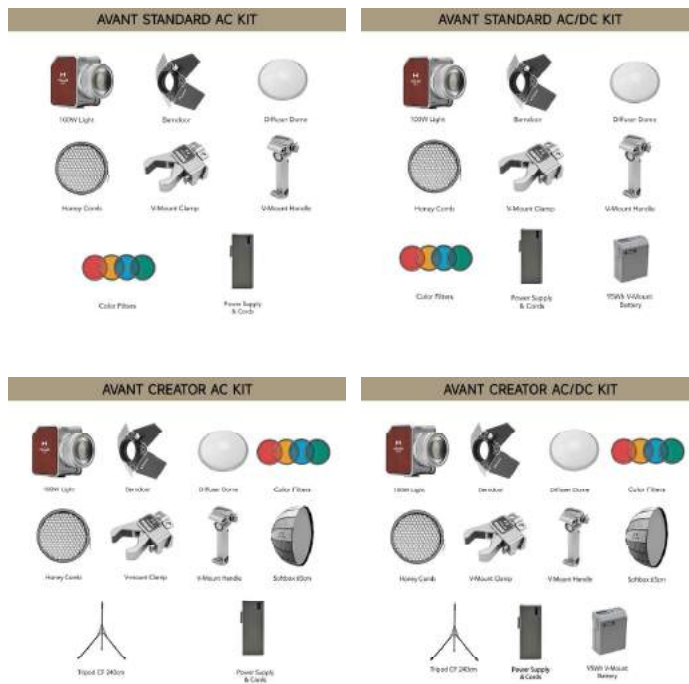


PROFESSIONAL, PORTABLE CONTINUOUS LIGHT

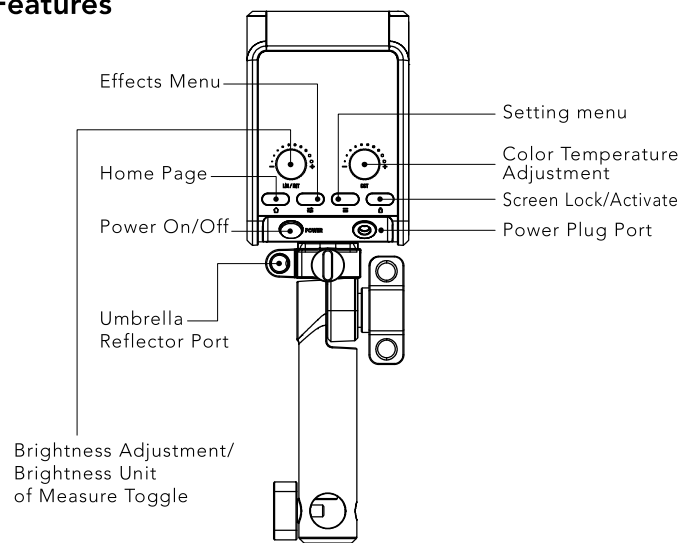
 **WARNINGS**





- Please thoroughly read the manual prior to operating the product and operate the product in strict accordance with the manual;
- Don't disassemble the product by yourself. If the product requires repair, kindly contact our maintenance personnel. Product failures caused by unauthorized disassembly are not covered by warranty, and hence their repair will be chargeable;
- The product is designed to be actively cooled by fans. Don't block the fan ducts of the product during operation. The product is a high power light source, so the user should not in any case, operate the product if it is covered. Don't touch the heat generating parts of the product during operation to avoid scalding injury;
- Don't submerge the product in water or other liquid/s to avoid safety risk and product failure;
- The power must be switched off during assembly before operation and disassembly after operation;
- After product use, touch, disassemble and store the product only after it has been sufficiently cooled to avoid scald injury;
- Please only use originally supplied accessories to avoid product failure/s;
- Please only use the brand-specific adapter and power cable supplied to avoid damage to the product.

Kit



Features



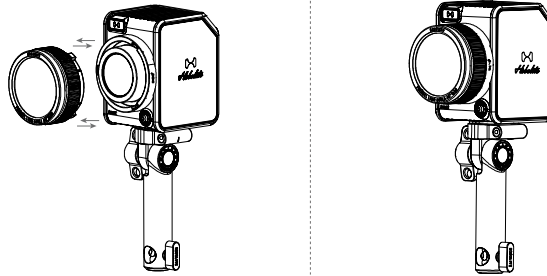
	Lit	Bluetooth on
	Unlit	Bluetooth off
	Blue and lit	Fan on
	Unlit	Fan off
	Red and flashing	Brightness exceeds 20% when fan is off
	Blue	Screen locked
	Unlit	Screen activated
	Red and flashing	New firmware revision ready to be upgraded

Installation

1. Installation of fresnel lens and barndoor

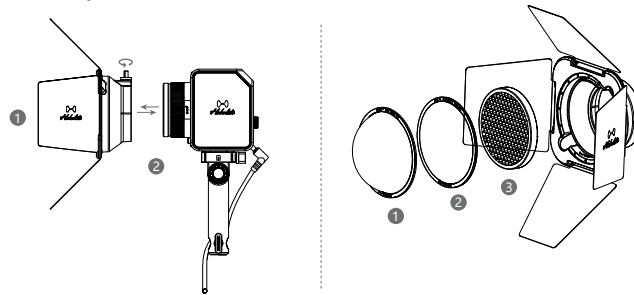
1.1 Insert the Fresnel lens and fasten it according to the arrow direction as shown in the figure.

* The interfaces of the product are non standard, You can purchase "Bowens Mount Adapter" to adapt the products to accessories of other brands.

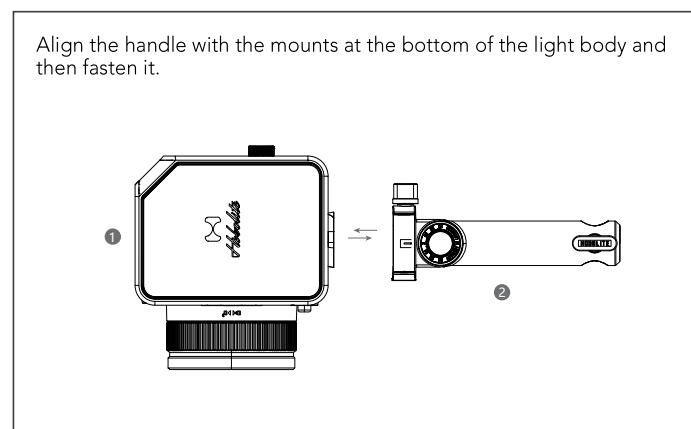


1.2 Align the mounts of the barndoor with the edge of the lens and then fasten it.

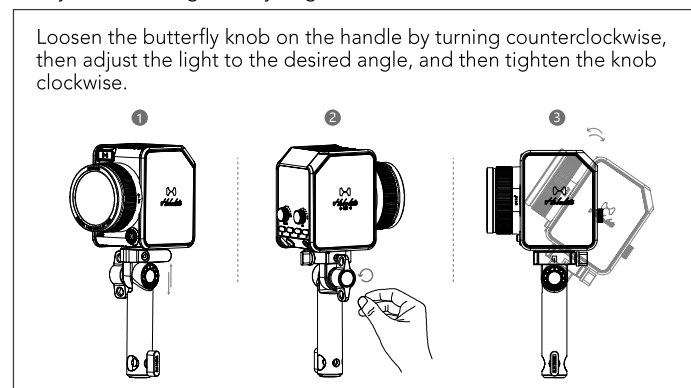
* The honeycomb plate, filter disc, and dome diffuser are equipped with magnets, and hence can be mounted together with the barndoor.



2. Installation of the handle

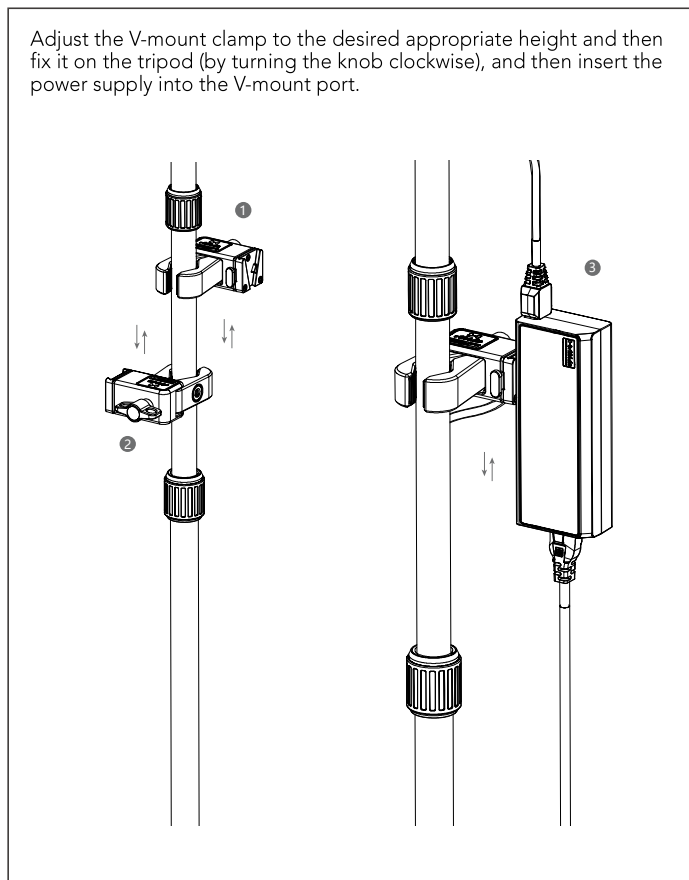


3. Adjustment of light body angle



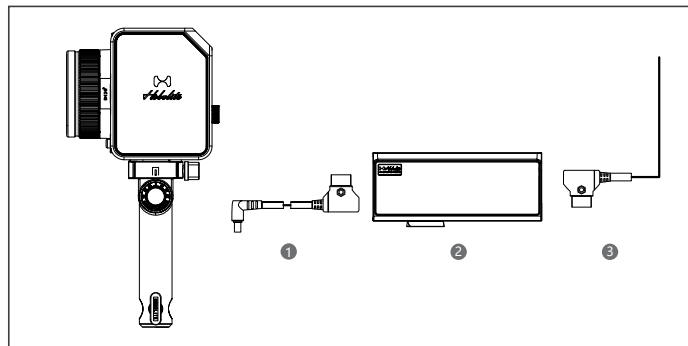
4. Installation of power supply

Adjust the V-mount clamp to the desired appropriate height and then fix it on the tripod (by turning the knob clockwise), and then insert the power supply into the V-mount port.



Power Supply

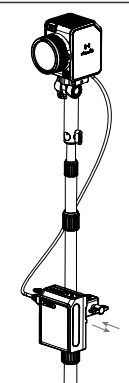
1.AC power supply



2.DC power supply

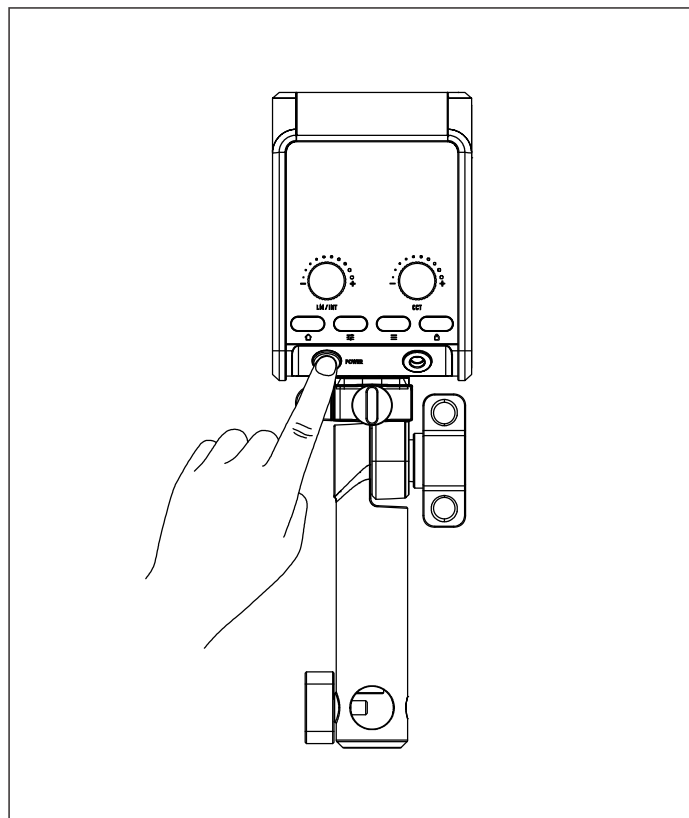
Note: Only use the battery pack with an output voltage of 14.2 V-22.2 V and an output current of ≥ 12 A, or else the product may be damaged.

* Using an incorrect battery may cause damage to the product. Pay extra attention to the polarity and orientation of the positive and negative poles when connection battery to the product, incorrect polarity connection will cause the light to not light up.



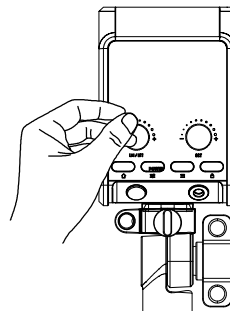
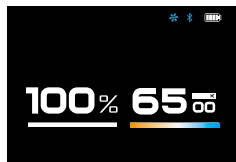
Operation

1. Press and hold the power button for 1.5s to turn on / off the light



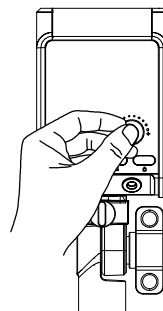
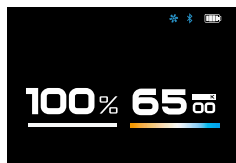
2. Brightness adjustment

2.1 Rotate the brightness adjustment knob, range is 1% - 100% (85lm - 8,500 lm). Press and hold the brightness adjustment knob to toggle between brightness unit of measure of INT (%) and LM.



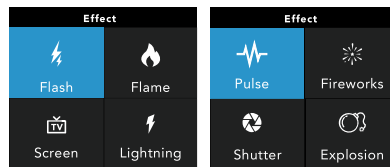
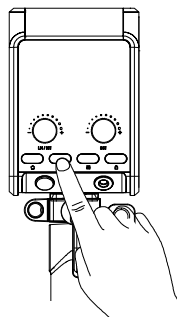
Color temperature adjustment

2.2 Rotate the color temperature adjustment knob to adjust the color temperature, range is 2,700 K - 6,500 K.



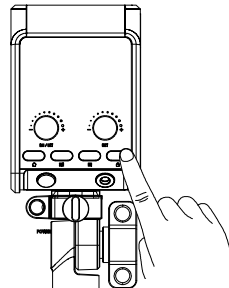
Lighting effects

2.3 Press "☰" to enter lighting effects menu and activate different lighting effects.



Screen lock / dim

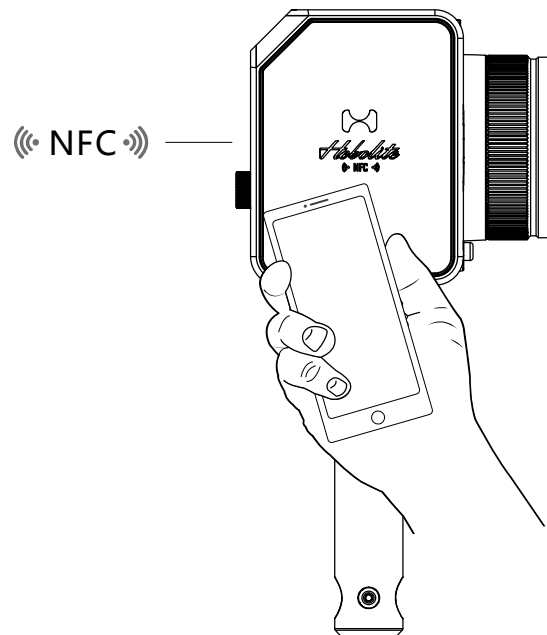
2.4 Short press the screen lock button to turn off the screen, press any button to turn on the screen. Press and hold the screen lock button to disable all buttons to prevent unintentional operation, press and hold the screen lock button to disable the screen lock.



3.NFC connection

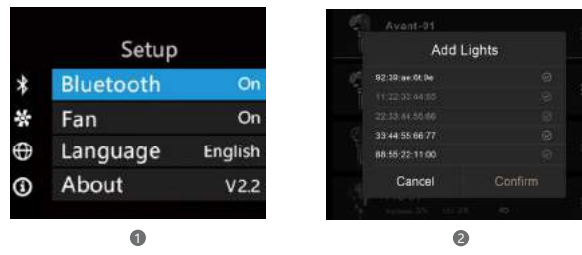
Place the NFC sensing area of the mobile device against the area with "NFC" mark on the light body, this will immediately launch the Hobolite App.

* Note that the Hobolite APP must already be installed in the device and NFC function in the device is activated.



4. Bluetooth pairing & reset

Select the bluetooth - pairing & reset option in the setting page to reset the bluetooth of the light and activate the pairing state for 60s. If pairing fails, repeat the operation.

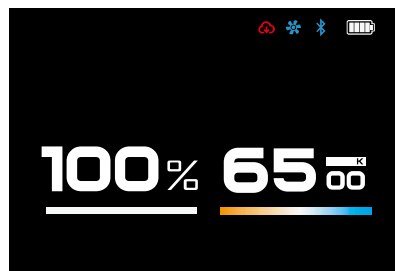


5. Firmware update

When a firmware is ready to be upgraded, a red "🔄" will appear at the upper right corner of the screen.

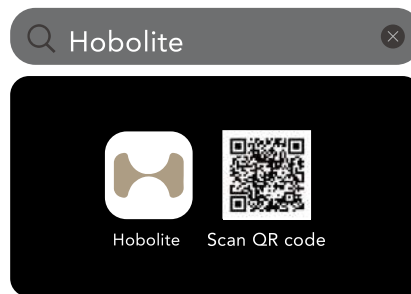
You can upgrade the product's firmware via the Hobolite App.

* Note the product will only prompt the existence of an updated version if device APP has paired with the product and used regularly".



App Download

You can download the Hobolite app in the (Apple) App Store and Google Play store by scanning the following QR code. Please visit the official website (www.hobolite.com) for more detailed instructions.



Product Specifications

AVANT

Power	100W
Luminous Flux (6500K)	8500lm
Luminous Flux (2700K)	6000lm
Input	AC 100-240V, 50~60Hz
	DC 12-20V
Battery (DC powered version)	14.8V 6400mAh, 94.72Wh
CRI	96
TLCI	96
CCT	2700-6500K
Dimming	0-100%
Wireless Method	Bluetooth
Wireless Operating Range	20m / 65.6ft
Noise	26db@1m
Operating Temperature	-10~40°C / 14~104°F
Dimension (Light)	83.6x117.7x124.6mm / 3.29x4.63x4.91in
Net Weight (Light)	1.25kg / 2.76Lbs

Optical Properties

1M - NO ACCESSORY	AVANT	LUX	FC
	2700K	2678	249
	4000K	3130	291
	6500K	3606	335

3M - NO ACCESSORY	AVANT	LUX	FC
	2700K	365	34
	4000K	430	40
	6500K	490	46

5M - NO ACCESSORY	AVANT	LUX	FC
	2700K	136	13
	4000K	166	15
	6500K	190	18

Optical Properties

1M - ADD HOBOLITE LENS	AVANT	LUX	FC
	2700K	5917	550
	4000K	7003	651
	6500K	7969	740

3M - ADD HOBOLITE LENS	AVANT	LUX	FC
	2700K	750	70
	4000K	870	81
	6500K	1017	94

5M - ADD HOBOLITE LENS	AVANT	LUX	FC
	2700K	270	25
	4000K	323	30
	6500K	370	34

TEST ITEM	Φ(LM)	CCT(K)	DOMINANT WAVELENGTH(NM)	TCLI
AVANT 3454K 100%LM	6960.555	2981	582.9	98

CQS	RF	RG	RA	RE	R1	R2	R3	R4	R5	R6	R7	R8
94	96	102	97	96	97	99	95	96	97	98	98	95

R9	R10	R11	R12	R13	R14	R15
92	100	94	87	97	97	96

TEST ITEM	Φ(LM)	CCT(K)	DOMINANT WAVELENGTH(NM)	TCLI
AVANT 3454K 10%LM	996.009	3358	582	99

CQS	RF	RG	RA	RE	R1	R2	R3	R4	R5	R6	R7	R8
97	95	103	96	94	94	98	96	95	96	97	97	91

R9	R10	R11	R12	R13	R14	R15
81	97	93	84	95	97	93

TEST ITEM	Φ(LM)	CCT(K)	DOMINANT WAVELENGTH(NM)	TCLI
AVANT 5328K 100%LM	8274.21	4622	575.1	99

CQS	RF	RG	RA	RE	R1	R2	R3	R4	R5	R6	R7	R8
96	96	103	97	94	97	99	95	98	98	97	97	93

R9	R10	R11	R12	R13	R14	R15
82	98	96	76	98	97	94

AVANT

TEST ITEM	Φ (LM)	CCT(K)	DOMINANT WAVELENGTH(NM)	TCLI
AVANT 5328K 10%LM	1095.57	4315	577.6	99

CQS	RF	RG	RA	RE	R1	R2	R3	R4	R5	R6	R7	R8
96	95	102	96	93	95	99	96	97	97	97	96	90

R9	R10	R11	R12	R13	R14	R15
77	99	96	77	96	96	92

Warranty Card

Product No.	
Product name	
Purchase date	
User name	
User telephone	
User address	
Dealer stamp	

	AEC LIGHTING SOLUTIONS CO., LTD.
<i>Hobolite</i>	QUALIFIED: PASS
	Add: 2548 Bao'an Highway, Jiading District, Shanghai 201801, China

Warranty Terms

We provide a one-year warranty period for the original buyer of the product.
For the detailed warranty scope, please log in our website www.hobolite.com.

Important notes:

- Please retain your original purchase invoice and warranty card and ensure that the complete supplier information is on the invoice, including the purchase date and product serial number, which will be needed when making a claim against the warranty.

The warranty does not cover:

- Damage caused by improper use, false wiring, incompatible, poor quality or misadjusted external devices (excluding damage caused by exposure to rain);
- Damage to the appearance of the product caused within 30 days after the purchase date of purchase or caused by improper surface contact;
- Damage caused by dealers during transportation.

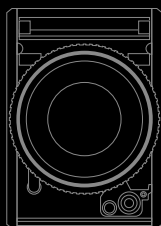
The warranty will be invalid if:

- The product serial number has been torn off or can't be identified;
- The product has been repaired or modified by oneself, and not by our company nor by designated repair personnel.

AEC LIGHTING SOLUTIONS CO., LTD.
Add: 2548 Bao'an Highway, Jiading District, Shanghai 201801, China
Tel: 86-021-69153369

HOBOLITE OFFICE

HOBOLITE CHINA
2548 BAO'AN HIGHWAY, JIADING DISTRICT,
SHANGHAI 201801, CHINA
86-021-69153369



Hobolite

FCC Warning:

This equipment has been tested and found to comply with the limits for a Class B digital device, pursuant to part 15 of the FCC Rules. These limits are designed to provide reasonable protection against harmful interference in a residential installation. This equipment generates, uses and can radiate radio frequency energy and, if not installed and used in accordance with the instructions, may cause harmful interference to radio communications. However, there is no guarantee that interference will not occur in a particular installation. If this equipment does cause harmful interference to radio or television reception, which can be determined by turning the equipment off and on, the user is encouraged to try to correct the interference by one or more of the following measures:

- Reorient or relocate the receiving antenna.
- Increase the separation between the equipment and receiver.
- Connect the equipment into an outlet on a circuit different from that to which the receiver is connected.
- Consult the dealer or an experienced radio/TV technician for help.

Caution: Any changes or modifications to this device not explicitly approved by manufacturer could void your authority to operate this equipment.

This device complies with part 15 of the FCC Rules. Operation is subject to the following two conditions: (1) This device may not cause harmful interference, and (2) this device must accept any interference received, including interference that may cause undesired operation.

The device has been evaluated to meet general RF exposure requirement.

This equipment complies with FCC radiation exposure limits set forth for an uncontrolled environment.

This equipment should be installed and operated with minimum distance 20cm between the radiator & your body.