

Long Distance Wireless Charger



Quick Start Guide&User Manual
JCP35WA-A



Product Feature



Output USB-C
Red/Green indicator light
Output USB-A

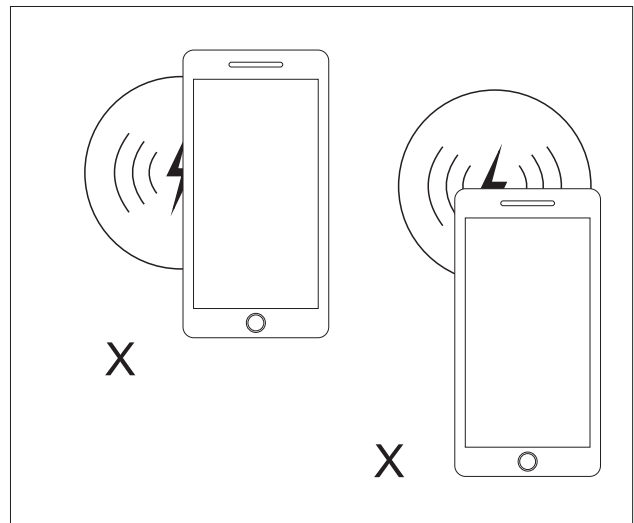
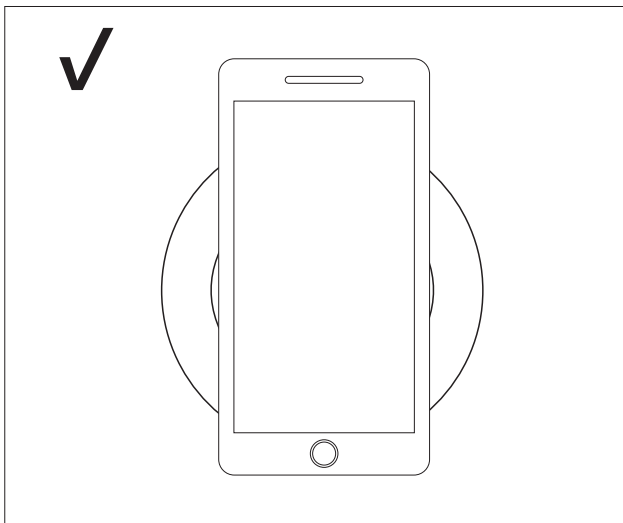
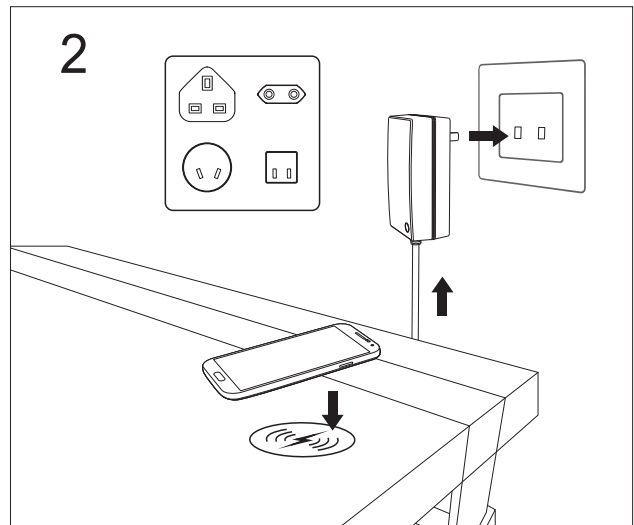
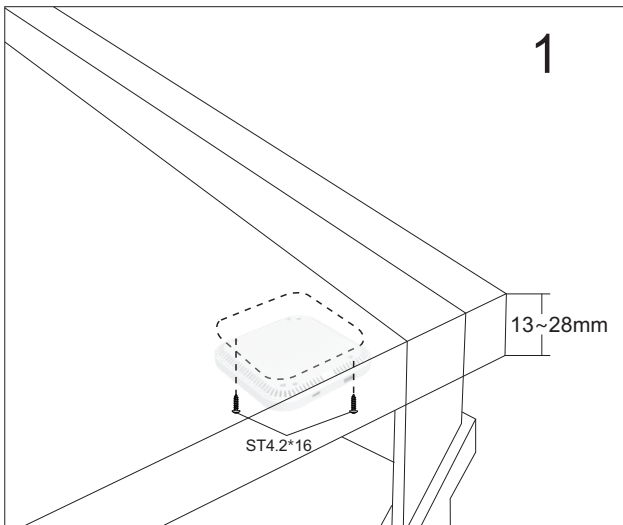
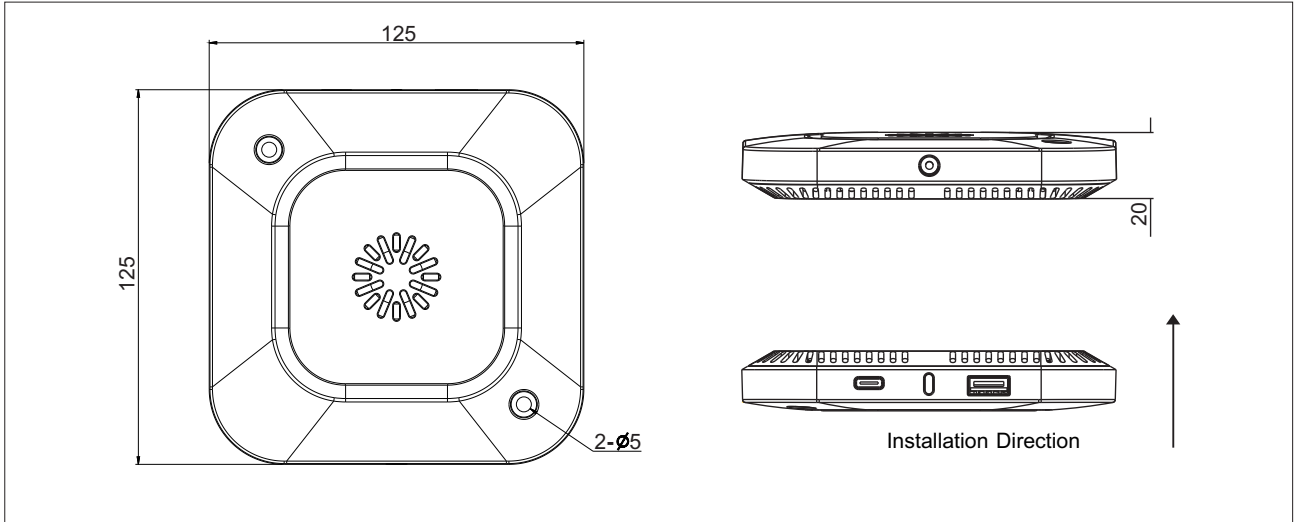


Installation Surface
DC Input (DC5.5*2.1)

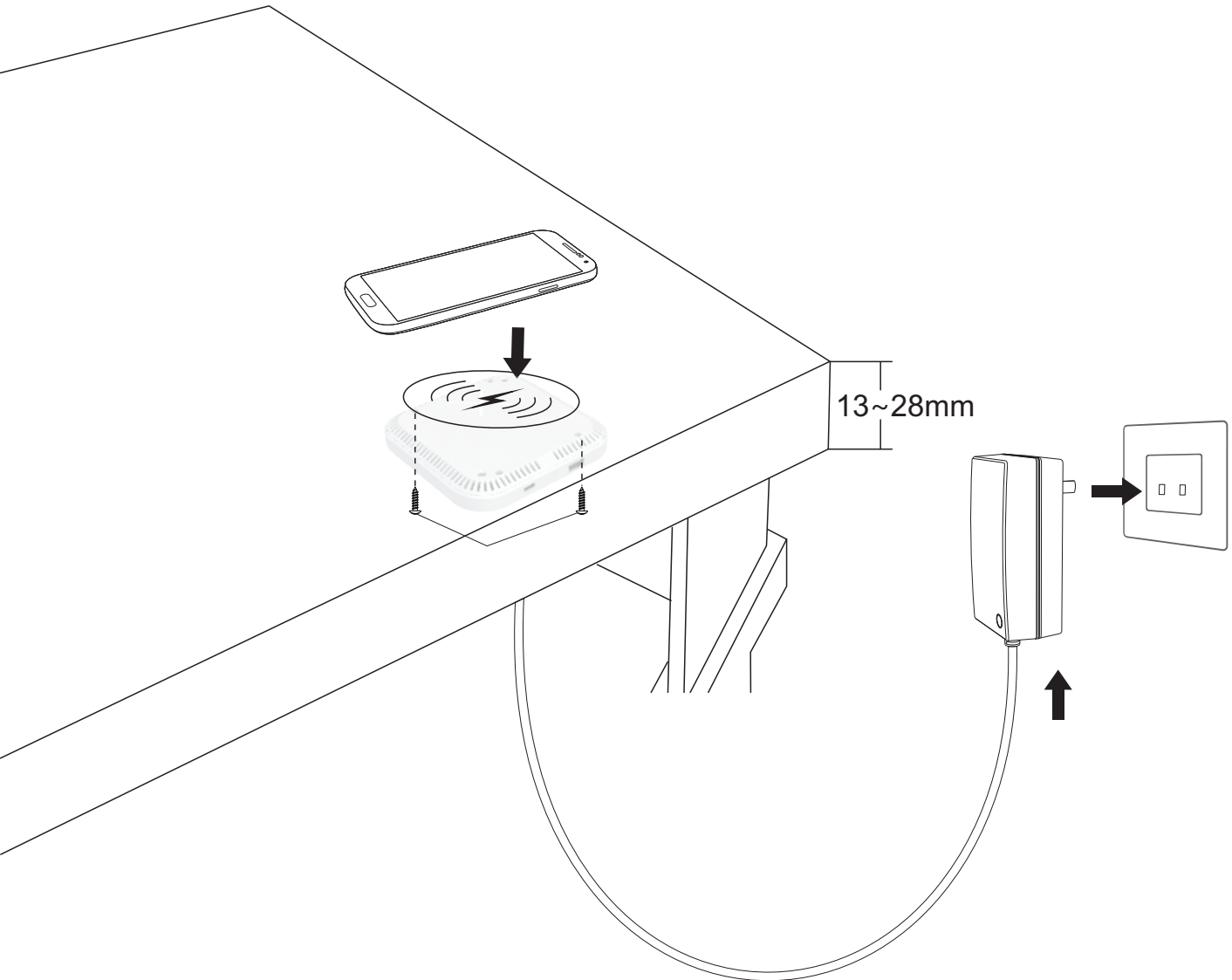
Specification

Model:	JCP35WA-A
Voltage Range: Rated	DC22V-40V
Voltage/Current: Input Plug	DC24V/1.5A
type:	DC5.5*2.1
Output Plug type:	TYPEA+TYPEC
Output TypeA+TypeC:	MAX 5V2A
Wireless Charge Distance:	13mm-28mm
Standby Power Consumption:	≤1W
Efficiency:	>50% @25mm , 5W Load ,24V Input
work Temperature:	0°C-35°C
Protection Character:	Input Coil OCP,OTP,OVP,UVLO,FOD

Installation Instructions



Connect To Desktop



The Packing Include:

- | | |
|-----------------------------------|----|
| Wireless Charging Power Station | X1 |
| User Marnual | X1 |
| Table Stick(optionally available) | X1 |
| Installation screw pack | X1 |

Charge Status Indicator

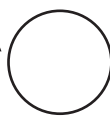
Charger Status	Power On	Standby	Charging	Fault
Red LED	ON	ON	OFF	OFF
Green LED	Blink(1Hz) 1 time	OFF	ON	Blink(1Hz)

Note :

Abnormal conditions include: the receiving end is placed too far, the PCBA temperature is too high, metal foreign objects enter, the input current is overcurrent, and the input voltage is overvoltage, etc.

Certification

Long Distance Wireless Charger
Model:JCP35WA-A Input:DC24V/1.5A-36V/1A
Output: Max 10W Wireless Charge
Output (Type-C+USB-A):Max 5V/2A



FCC ID:2ANKDJCP35WA-A MADE IN CHINA
IC :25785JCP35WAA



RoHS



Care & Maintenance

- Avoid placing any metal on the heating surface during working.
- Avoid placing magnetic stripe card on the heating surface which can easily damage the card.
- Make sure that the thickness of the upper desktop is within the range of the specification, otherwise it will not be able to charge.
- Make sure that the table stick must be affixed directly above the Wireless Charger.
- Avoid humidity, liquid, fire and high temperature as it may cause hazard to users.
- Do not try to disassemble or modify the product.
- Do not attempt to disassemble to avoid fire hazard or short circuit.
- Any of damage by abnormal use of product will void the manufacture warranty.
- Do not use product when the cord is damp, damaged or, loose as it may cause short circuit and overheat.
- Do not bend the power cord.
- Do not handle the power cord with wet hands or pull the built-in cable.
- Contact with overheated equipment may cause discoloration or surface damage.
- Keep to other electrical devices such as Microwaves, sufficient distance.

FCC Statement:

Any Changes or modifications not expressly approved by the party responsible for compliance could void the user's authority to operate the equipment.

This device complies with part 15 of the FCC Rules. Operation is subject to the following two conditions: (1) This device may not cause harmful interference, and (2) this device must accept any interference received, including interference that may cause undesired operation.

FCC Radiation Exposure Statement:

This equipment complies with FCC radiation exposure limits set forth for an uncontrolled environment. This equipment should be installed and operated with minimum distance 20cm between the radiator & your body.

Note: This equipment has been tested and found to comply with the limits for a Class B digital device, pursuant to part 15 of the FCC Rules. These limits are designed to provide reasonable protection against harmful interference in a residential installation. This equipment generates uses and can radiate radio frequency energy and, if not installed and used in accordance with the instructions, may cause harmful interference to radio communications. However, there is no guarantee that interference will not occur in a particular installation. If this equipment does cause harmful interference to radio or television reception, which can be determined by turning the equipment off and on, the user is encouraged to try to correct the interference by one or more of the following measures:

- Reorient or relocate the receiving antenna.
- Increase the separation between the equipment and receiver.
- Connect the equipment into an outlet on a circuit different from that to which the receiver is connected.
- Consult the dealer or an experienced radio/TV technician for help.

ISED RSS Warning:

This device complies with Innovation, Science and Economic Development Canada licence-exempt RSS standard(s). Operation is subject to the following two conditions: (1) this device may not cause interference, and (2) this device must accept any interference, including interference that may cause undesired operation of the device.

Le présent appareil est conforme aux CNR d'ISED applicables aux appareils radio exempts de licence. L'exploitation est autorisée aux deux conditions suivantes:

- (1) l'appareil ne doit pas produire de brouillage,
- (2) l'utilisateur de l'appareil doit accepter tout brouillage radioélectrique subi, même si le brouillage est susceptible d'en compromettre le fonctionnement.

ISED RF exposure statement:

This equipment complies with ISED radiation exposure limits set forth for an uncontrolled environment. This equipment should be installed and operated with minimum distance 20cm between the radiator & your body. This transmitter must not be co-located or operating in conjunction with any other antenna or transmitter.

Le rayonnement de la classe b respecte ISED fixaient un environnement non contrôlés. Installation et mise en œuvre de ce matériel devrait avec échangeur distance minimale entre 20 cm ton corps. Lanceurs ou ne peuvent pas coexister cette antenne ou capteurs avec d'autres.