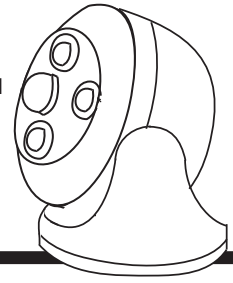


# motion-activated ANYWHERE LIGHT™



Model #s 40251,40252

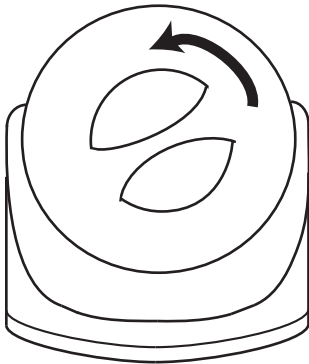
ASSEMBLY AND INSTRUCTION GUIDE

## ABOUT YOUR MOTION-ACTIVATED ANYWHERE LIGHT™

- Totally portable and weatherproof.
- Perfect outdoors for doors, steps, decks, sheds, garages, pathways, porches, and anywhere additional light is needed.
- Also perfect indoors for hallways, stairways, closets, and bathrooms.
- Built-in motion sensor automatically turns on the light when movement is detected in the area. The light remains on while motion continues to be detected in the area.
- Built-in photosensor enables the light to only turn on at night.
- The 4 super bright LEDs have an estimated life of 30,000 hours, so they never need changing.
- Requires 4 D cell batteries (not included). The batteries typically last up to 1 year under normal use.

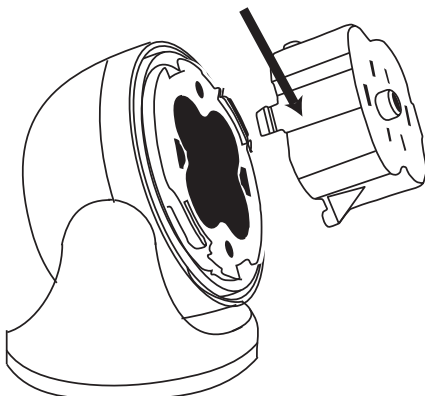
## BATTERY INSTALLATION

1. To access the battery compartment, twist open the back half of the light counterclockwise.



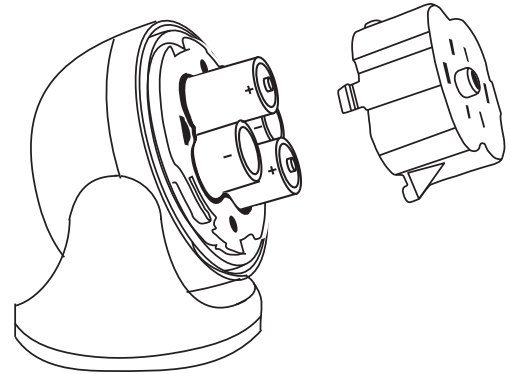
2. Remove the battery compartment cover by squeezing the two tabs on the cover inward.

Press Tabs

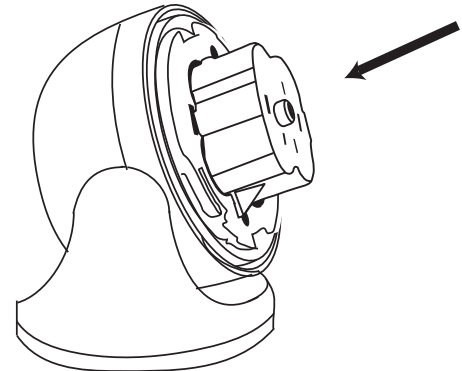


## BATTERY INSTALLATION (CONTINUED)

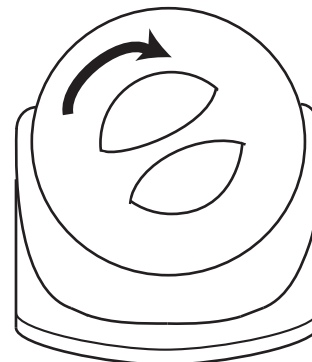
3. Install the 4 D cell batteries in the proper +/- polarity orientation as shown in the illustration. The positive ends of the batteries should face the low battery contacts and the negative ends of the batteries should face the elevated spring terminals in the battery compartment.



4. Reinstall the battery compartment cover by aligning the tabs and pressing the battery compartment cover into the front half of the *Motion-Activated Anywhere Light™* until the battery compartment cover clicks into place.



5. Reassemble the Motion-Activated Anywhere Light™ by twisting the back half of the light clockwise tightly to ensure a weather proof seal.



## BATTERY INSTALLATION (CONTINUED)

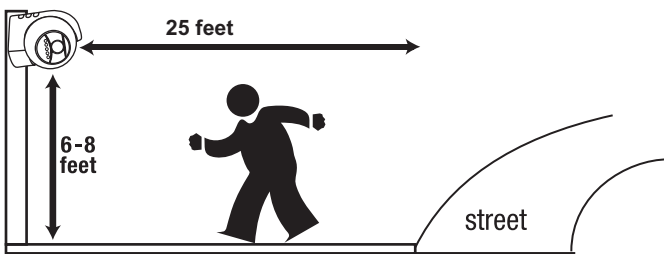
Note: If your *Motion-Activated Anywhere Light™* does not turn on after battery installation:

- Make sure fresh batteries have been inserted matching the correct + / - polarity orientation and are making secure contact with the terminals.
- Make sure you are testing the *Motion-Activated Anywhere Light™* in a dark area since the light will only turn on at night.

## CHOOSING A LOCATION

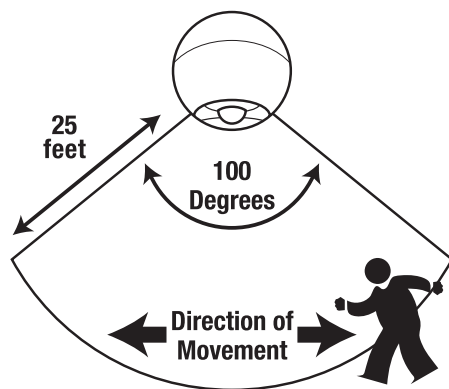
The selected location should not be near light sources such as street or porch lighting as these may cause the *Motion-Activated Anywhere Light™* to turn off automatically. The *Motion-Activated Anywhere Light™* should also be installed away from heaters, air conditioners, barbecues, vents, and large reflective surfaces such as swimming pools and jacuzzis, and white walls. To avoid damage to some components do not aim the motion sensor towards the sun.

You should also install the *Motion Activated Anywhere Light™* at least 25 feet away from the street because passing cars might activate the light.



Ideally, the *Motion-Activated Anywhere Light™* should be mounted 6 to 8 feet (1.8 to 2.5 meters) above the detection area.

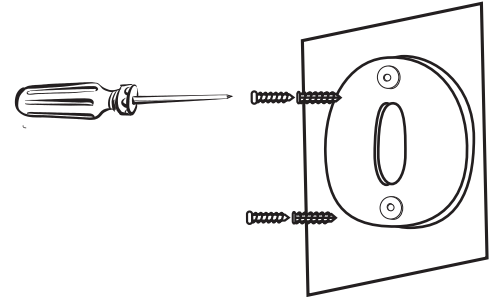
The motion sensor has a detection area of about 25 feet (7 meters) within a 100 degree angle of the sensor. The sensor is more sensitive to movement across the detection area than movement directly towards or away from the sensor.



At night, the LED lights will remain on for approximately 30 seconds after the last detected movement. If a movement is detected while the lights are on, the light duration will be reset and remain on for another 30 seconds.

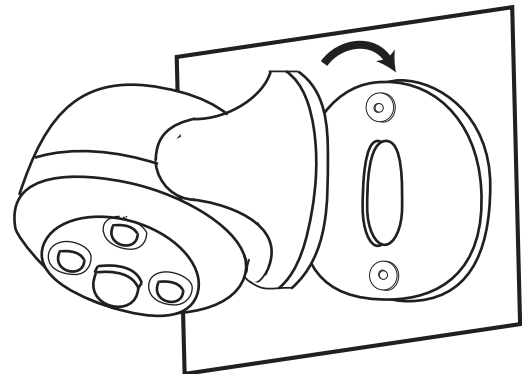
## INSTALLING THE MOUNTING PLATE

1. In order to mount the light securely to a wall or other stable surfaces, the mounting base needs to be installed. Slide the mounting plate to separate it from the main body.
2. If you are installing the mounting place on a very hard surface, you may need to drill holes for the screws first. The included screw anchors can be used for drywall, cement, brick, or similar surfaces.
3. Use the two screws supplied to install the mounting plate.

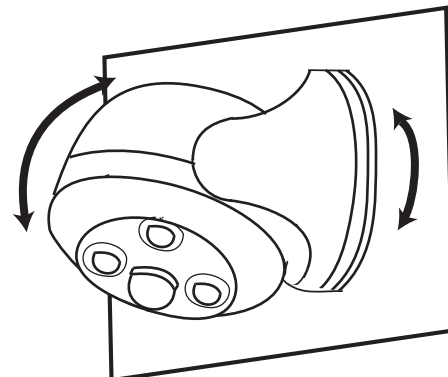


## MOUNTING THE LIGHT

1. Align the base to the mounting plate. Slide the main body onto the mounting plate until it snaps into place.



2. Aim the sensor and light in the desired direction. Depending on your preferences, you can rotate the base on the mounting plate or make the motion sensor and the light swivel to aim at different directions.



## TROUBLESHOOTING

PROBLEM	POSSIBLE CAUSE	POSSIBLE SOLUTION
Light does not turn on when there is movement in the detecton area.	<ol style="list-style-type: none"> <li>1. Batteries are old.</li> <li>2. Nearby lighting is too bright.</li> <li>3. The sensor is facing the wrong direction.</li> </ol>	<ol style="list-style-type: none"> <li>1. Replace the batteries.</li> <li>2. Redirect the sensor or install the <i>Motion-Activated Outdoor Light</i> in a different location, away from other lighting.</li> <li>3. Aim the sensor toward the desired detection area.</li> </ol>
Light turns on for no apparent reason (false trigger).	<ol style="list-style-type: none"> <li>1. Heat sources such as air conditioners, vents, barbecues, other outside lighting, or moving cars are triggering the motion sensor.</li> <li>2. Pets or other animals are triggering the motion sensor.</li> <li>3. Reflections from swimming pools, jacuzzis, white walls, or other large reflective surfaces are triggering the motion sensor.</li> </ol>	<ol style="list-style-type: none"> <li>1. Install the <i>Motion-Activated Outdoor Light</i> away from the sources of interference.</li> <li>2. Redirect the sensor.</li> <li>3. Install the <i>Motion-Activated Outdoor Light</i> away from the sources of reflections.</li> </ol>
Light turns on during daylight hours.	<ol style="list-style-type: none"> <li>1. A roof, wall, tree, or other object is casting a shadow on the sensor.</li> </ol>	<ol style="list-style-type: none"> <li>1. Redirect the sensor or install the <i>Motion-Activated Outdoor Light</i> in a non-shaded location.</li> </ol>

## SPECIFICATIONS

**Batteries Required:** 4 D cell alkaline, Ni-MH, or Ni-Cd      **Lumens:** 200  
**Wattage:** Maximum 3 W ,static < 0.3 mW  
**Voltage:** 6V DC  
**Light Duration:** approx. 30 seconds  
**Detection Angle:** 100° (cone)  
**Maximum Detection Distance:** 25 feet (7 metrs)  
**Weatherproof Rating:** IP44

### 90 DAY LIMITED WARRANTY

This Solar Motion-Activated Light is warranted against faulty material and/or workmanship for a period of 90 days from date of original purchase.

The obligation of the manufacturer, under this warranty, is limited to servicing and replacing defective parts when the unit is returned to MAXSA Innovations, freight pre-paid during the warranty period. To obtain warranty repair, the purchase receipt should be returned with the product.

This warranty becomes void on any unit which has been tampered with, damaged by accident, or damaged otherwise by improper operation.

This guarantee is in addition to any guarantees implied by State or Federal Legislation.



MAXSA Innovations  
 8412 Cathedral Forest Drive  
 Fairfax Station, VA 22039  
 Tel: 703-495-0661  
[www.maxsainnovations.com](http://www.maxsainnovations.com)  
[info@maxsainnovations.com](mailto:info@maxsainnovations.com)

MADE IN CHINA

## FCC Warning and Notes

Warning: Changes or modifications to this unit not expressly approved by the party responsible for compliance could void the user's authority to operate the equipment.

NOTE: This equipment has been tested and found to comply with the limits for a Class B digital device, pursuant to Part 15 of the FCC Rules. These limits are designed to provide reasonable protection against harmful interference in a residential installation. This equipment generates, uses and can radiate radio frequency energy and, if not installed and used in accordance with the instructions, may cause harmful interference to radio communications.

However, there is no guarantee that interference will not occur in a particular installation. If this equipment does cause harmful interference to radio or television reception, which can be determined by turning the equipment off and on, the user is encouraged to try to correct the interference by one or more of the following measures:

- Reorient or relocate the receiving antenna.
- Increase the separation between the equipment and receiver.
- Connect the equipment into an outlet on a circuit different from that to which the receiver is connected.
- Consult the dealer or an experienced radio/TV technician for help.

This device complies with Part 15 of the FCC Rules. Operation is subject to the following two conditions: (1) this device may not cause harmful interference, and (2) this device must accept any interference received, including interference that may cause undesired operation.