

FCC Statement

This device complies with part 15 of the FCC rules. Operation is subject to the following two conditions:

(1) this device may not cause harmful interference, and (2) this device must accept any interference received, including interference that may cause undesired operation.

Changes or modifications not expressly approved by the party responsible for compliance could void the user's authority to operate the equipment.

NOTE: This equipment has been tested and found to comply with the limits for a Class B digital device, pursuant to part 15 of the FCC Rules. These limits are designed to provide reasonable protection against harmful interference in a residential installation. This equipment generates uses and can radiate radio frequency energy and, if not installed and used in accordance with the instructions, may cause harmful interference to radio communications. However, there is no guarantee that interference will not occur in a particular installation. If this equipment does cause harmful interference to radio or television reception, which can be determined by turning the equipment off and on, the user is encouraged to try to correct the interference by one or more of the following measures:

- Reorient or relocate the receiving antenna.
- Increase the separation between the equipment and receiver.
- Connect the equipment into an outlet on a circuit different from that to which the receiver is connected.
- Consult the dealer or an experienced radio/TV technician for help.

The device has been evaluated to meet general RF exposure requirement. The device can be used in portable exposure condition without restriction.

SL Series Video Light



Foreword:

Thank you for purchasing this NEEWER Product!

SL Series video lights are excellent for product shooting, photojournalistic and video recording, etc. It creates stable light resource and even illumination for photography. Two models are available: White Version (5600K), Yellow Version (3300K).

Features:

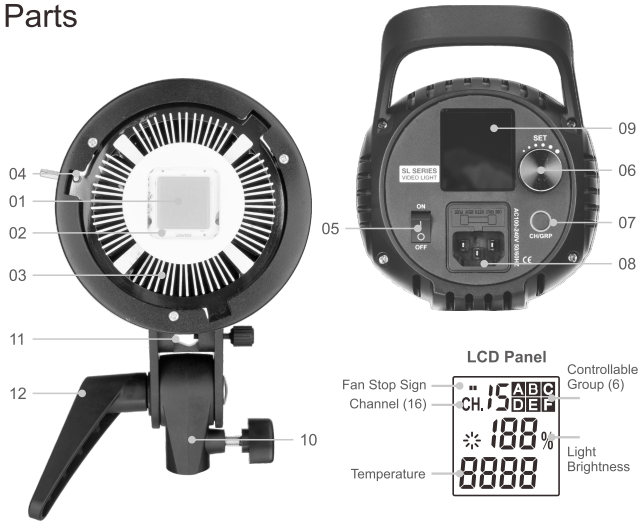
- 60W LED bulbs guarantee high light brightness
- The color rendering index is over 95 and R9 is 90, presenting the objects authentically
- Wirelessly adjust light brightness
- Wireless 433MHz grouping system (6 groups & 16 channels)
- Large-sized LCD panel. Settings auto saved
- With temperature control function to prevent overheating
- With specialized protect cover to protect the LED beads
- With red copper heatsink and built-in fan to offer excellent heat dissipation

Type	Model
White Version(Color Temperature 5600K)	SL60W
Yellow Version(Color Temperature 3300K)	SL60Y

For your safety:

- ⚠ Do not place in high temperature or high humidity conditions.
- ⚠ If this product overheats, it will cease operation and resume working after cooling down. This is due to the built-in overtemperature protection.
- ⚠ Do not handle with wet hands, immerse in water, or expose to rain.
- ⚠ Do not disassemble or modify this product. Should the product break open as the result of a fall or other accident, send the defective back to authorized service center for inspection and maintenance.

Parts

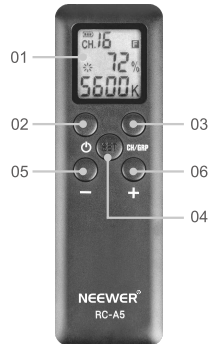


Body

01. LED Beads
02. Protect Cover
03. Heatsink
04. Accessory Slot
05. ON/OFF Power Switch
06. Select Dial + SET Button
07. CH/GRP Button
08. AC Power Jack
09. LCD Panel (White in Blue)
10. Mounting Bracket
11. Umbrella Input
12. Direction Adjusting Handle

Remote Control:

01. LCD Panel (Black in White)
02. Power Switch
03. CH/GRP Button
04. SET Button
05. "-" Button
06. "+" Button
07. Battery Compartment
08. Battery Compartment Cover



Accessories



Remote Control



Standard Reflector



Lamp Cover



Power Cord

Operation

Using the Video Light

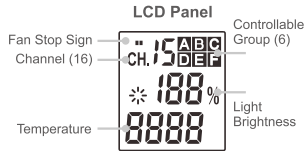
- Connect the light with AC power jack.
- Press the ON/OFF Power Switch, the video light begins to giving out light.
- LCD panel shows the information.

Light Brightness Adjustment

- Turn the select dial to adjust the light brightness.
- The light brightness adjustable range is at 10%~100%.

Temperature Indication

- This video light checks its temperature at any time to avoid dangerous situations. It will auto power off when the temperature is too high.
- Press the SET button for 2 seconds and the temperature can be switched between Celsius and Fahrenheit.



Wireless Remote Control

With 433 MHz wireless system, this product has remote grouping and control function. Up to 6 groups of video lights can be controlled. 16 channels are available with strong anti-interference capability.

- Please set the channels and groups of video light to the same as those of remote control before usage.
- When using the White Version, please set the color temperature of the remote control as 5600K constantly;
- When using the Yellow Version, please set the color temperature of the remote control as 3300K constantly;

Adjusting Channel/Group of the Video Light

- Press the CH/GRP button and the group icon blinks. Turn the select dial to choose a group ID (A to F).
- Press the CH/GRP button twice and the channel icon blinks. Turn the select dial to choose a channel ID (1 to 16).

Adjusting Channel/Group of the Remote Control

- Press the CH/GRP button and the group icon blinks. Press the“-”“+” button to choose a group ID (A to F).
- Press the CH/GRP button twice and the channel icon blinks. Press the“-”“+” button to choose a channel ID (1 to 16).

Adjusting Light Brightness/Color Temperature with the Remote Control

- Press the“-”“+” button to adjust the light brightness.
- Press the SET button of the remote control once and the color temperature icon blinks. Press the“-”“+” button to adjust the color temperature.

Other Operation Tips:

- Pressing the ON/OFF button on the remote control can turn on/off all the video light groups.
- Pressing the “SET” button on the remote control for 2 seconds can turn on/off the current video light group.
- Please remove the battery if the light will not be used for an extended period of time.



When there are some abnormal situations in the inner video light, the relevant LCD signs will blink as warnings. For example:

1. When the fan stops working due to fault, II signs will blink to alarm.
2. When heatsink' temperature is over 70 Celsius degrees, the temperature on the LCD panel will blink and the video light will stop working.

Technical Data:

Video Light	White Version SL60W	Yellow Version SL60Y
AC Power Supply	AC 100~240V 50/60Hz	
Channel	16	
Group	6 groups (A, B, C, D, E, F)	
Power	Max. 60W	
Color Temperature	5600K±300K	3300K±300K
100% Illuminance (LUX)	4100 (1m)	
100% Luminous Flux	4500	
Color Rendering Index	>95	
R9	90	
TLCI(Qa)	>90	
Light Brightness Range	10%~100%	
Operation Temperature	-10~50°C	
Safe Temperature	≤70°C	
Dimension	23x24x14cm (Not included the Lamp Cover)	
Net Weight	Approx. 1.61kg	

Remote Control	RC-A5
Power Supply	3.0V(AAA*2)(not include)
Wireless Frequency	433MHz
Distance(emptiness)	≥20m
Channel	16
Group	6 groups(A, B, C, D, E, F)
Standby Time	Over one year
Operation Temperature	-10~50 °C
Dimension	120mm*38mm*15mm
Net weight	30g

* Product design and specifications are subject to change without notice.