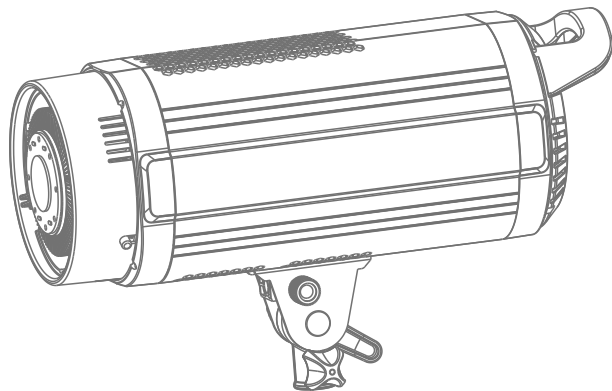


LED摄影灯说明书

Video LED light User manual



前言

LED摄影灯光源稳定，显色性好，功能强大，非常适用于影棚拍摄、采访布光、静物拍摄以及视频拍摄等。可选配专用遥控器，可无线分组调光，无线调节亮度，功能丰富，操作便捷。

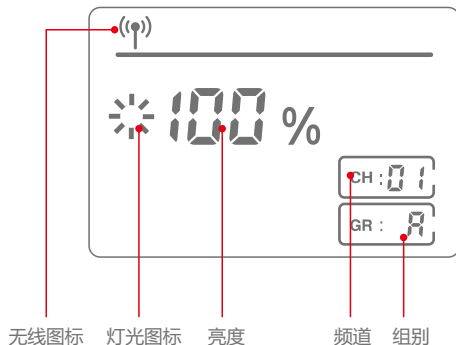
产品具有以下亮点：

- 大功率COBLED灯珠亮度高，光源稳定。
- 显色指数高达95以上，真实还原物体色彩。
- 精准显示屏，参数（设置完成8秒后）自动保存。
- 可选配遥控器，2.4GHz无线16组别16频道分组控制，无线调节各组亮度。
- 配备用散热片与内置风扇高效散热，具有温度控制保护，延长灯珠使用寿命。

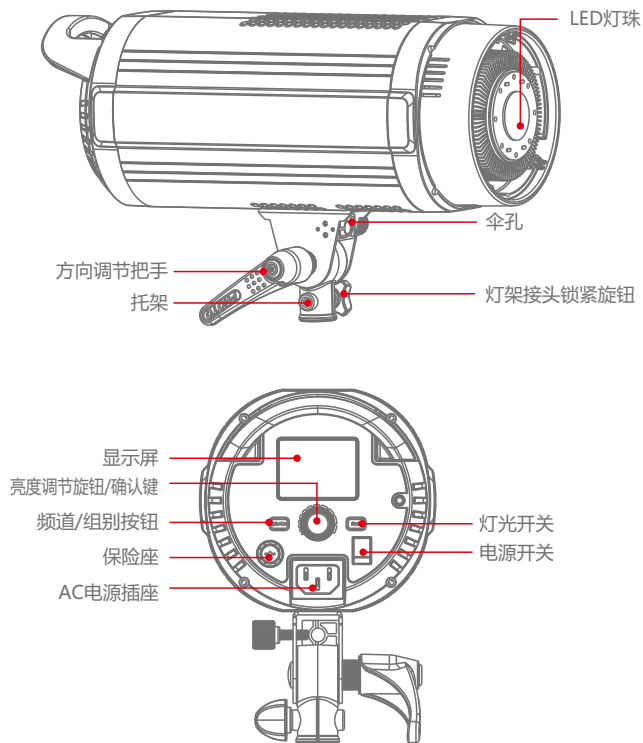
注意事项

- △ 请勿将摄影灯放置在高温、高湿的地方。
- △ 此机有温度保护功能，当温度过高时进入保护状态，当温度降低后恢复正常。
- △ 请勿用湿手接触产品，亦不可将产品浸入水中或暴露于雨中。
- △ 请勿拆卸或改造产品。若本产品因为摔落或其他意外事故造成破损，请将产品送至厂家授权的维修中心进行检查维修。

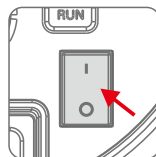
显示屏



产品描述

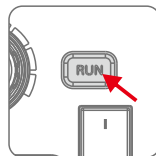


使用指南



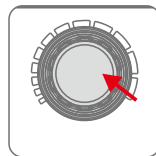
1.开始使用摄影灯

- 连接AC电源
- 按ON/OFF按钮打开电源，显示面板亮起，则表示已经打开。



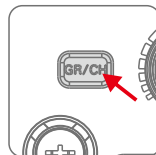
2.LED灯开关

- 打开电源之后，按“RUN”键可以开启灯光或关闭灯光。



3.亮度

- 打开电源之后，旋转主机上的调节旋钮可对亮度进行调整。
- 可调节亮度范围：10%-100%



4.主机频道/组别调整

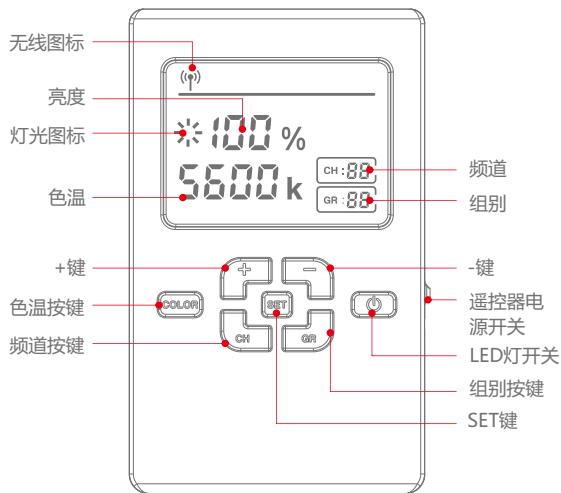
- 按“GR/CH”显示屏上“CH: 0 1”闪烁，然后旋转旋钮设置(1-16)频道，再按旋钮键确认；按“GR/CH”显示屏上“GR: R”闪烁，然后选择旋钮设置(0-9、A-F)组别，再按旋钮键确认。

注：闪光灯参数设置完成经过8秒后才会记忆保存。


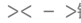

温度检测

- 本机时时检测LED摄影灯的温度,温度过高时自动关机,杜绝安全隐患。

遥控器



(遥控器另购)

- 按<  >键, 可以控制LED灯打开或关闭
- 按< + >< - >键, 调节灯明暗亮度
- 按< CH >键, 屏幕上<  >闪烁, 再按< + >< - >键设置频道。
- 按< GR >键, 屏幕上<  >闪烁, 再按< + >< - >键设置组别。

注: *灯的频道、组别和遥控器的频道、组别要一样。

*如灯无此色温调节功能, COLOR 色温键不支持。

*遥控器参数设置完成经过8秒后才会记忆保存。

Preface

LED photography light source is stable, high quality color temperature, powerful, suitable for studio shooting, interview light, still life shooting and video shooting. Can be selected with a special remote control, wireless packet dimming, wireless brightness adjustment, rich functions, convenient operation.

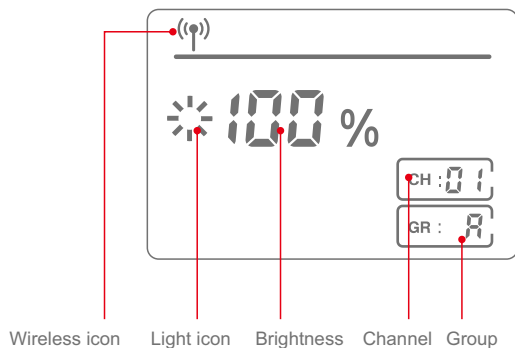
The product has the following highlights:

- The high-power COB LED lamp with high brightness and stable light source.
- The guider no higher than 95 , which truly reduces the color of the object
- LCD display parameters (after setting for 8 seconds) are saved automatically.
- Optional remote control, 2.4 GHz wireless grouping control with 16 groups and 16 channels , wireless adjustment of each group brightness.
- Equipped with heat sink and built-in fan for efficient heat dissipation to control the temperature protection and extended lamp life.

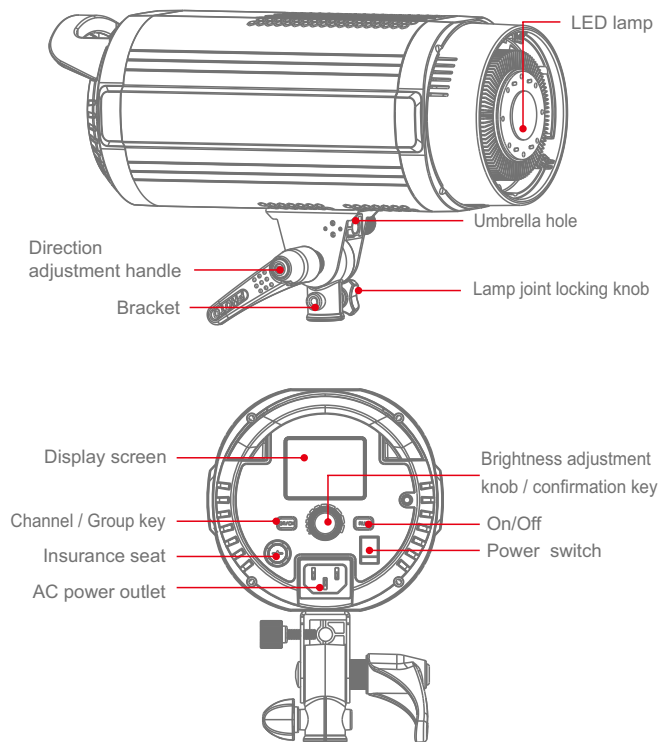
Note

- △ Don't place the light in a high temperature and high humidity place.
- △ The light with temperature protection function. When the temperature is too high, it enters the protection state and returns to normal when the temperature be decreased .
- △ Don't touch the product with wet hands and do not immerse the product in water or be exposed to rain.
- △ Don't remove or modify products. If the product is damaged by fall or other accident, please send the product to the manufacturer's authorized maintenance center for inspection and repair.

Display screen



Product Description

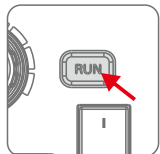


Use of guidelines



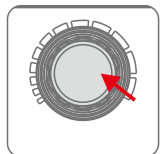
1. Start Using led Lights

- Connect AC power supply
- Press the ON / OFF button to turn on the power, and the digital display panel in on.



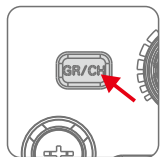
2.LED light switch

- After the power is turned on, press "RUN" to turn the light on or off.



3.Brightness

- After the power is turned on, the adjusting knob to adjust the power.
- Adjustable power range: 10 % -100 %



4.Channel / Group

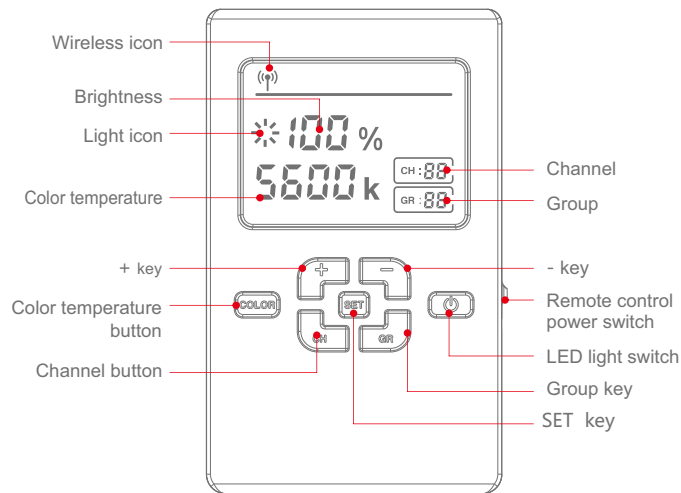
- Press "GR/CH" knob until " CH: 01 " flicker in the display, then select the dial setting (1-16) channel, and then press the dial key to confirm; Press " GR/CH " knob until " GR: A " flicker in the display, then select the dial setting (0-9, A-F) group, and then press the dial key to confirm.

Note: the flash parameters will not be stored until 8 seconds after setting.

Temperature detection

- This light always detects the temperature of LED light .When the temperature too high,the light will be turn off .

Remote control



(Remote control purchased by separately)

- Press the <⏻> button to control the LED light on or off
- Press <+>, <-> to adjust the brightness of the light
- Press the "CH" key, flicker < CH: 88 > on the screen, and press the <+> <-> key to set the channel.
- Press the "GR" key, flicker < GR: 88 > on the screen, and then press the "+ " "- " key to set the group.

Note: *Please keep the same channel and same group for light and remote .

*If the light without color temperature adjustment function, the "COLOR" (color temperature)key is not supported.

*It will take 8 seconds for the remote control parameter setting to be memorized and saved

This device complies with Part 15 of the FCC Rules. Operation is subject to the following two conditions: (1) this device may not cause harmful interference, and (2) this device must accept any interference received, including interference that may cause undesired operation

This device has been tested and found to comply with the limits for a Class B digital device, pursuant to Part 15 of the FCC Rules. These limits are designed to provide reasonable protection against harmful interference in a residential installation. This device generates, uses and can radiate radio frequency energy and, if not installed and used in accordance with the instructions, may cause harmful interference to radio communications. However, there is no guarantee that interference will not occur in a particular installation. If this device does cause harmful interference to radio or television reception, which can be determined by turning the device off and on, the user is encouraged to try to correct the interference by one or more of the following measures:

- Reorient or relocate the receiving antenna.
- Increase the separation between the device and receiver.
- Connect the device into an outlet on a circuit different from that to which the receiver is connected.
- Consult the dealer or an experienced radio/TV technician for help

Changes or modifications not expressly approved by the party responsible for compliance could void the user's authority to operate the equipment