

4

3

2

1

D

D

C

C

B

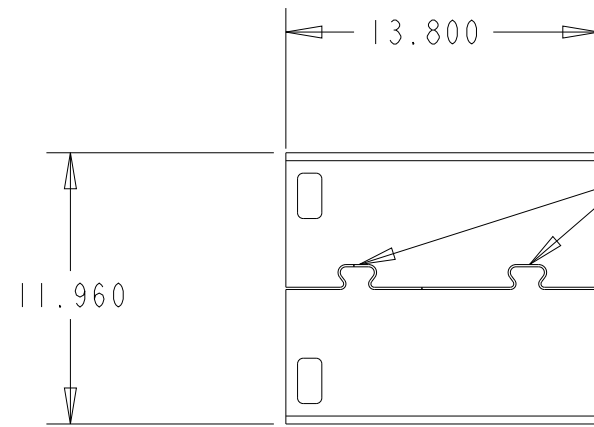
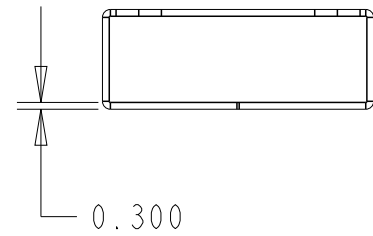
B

A

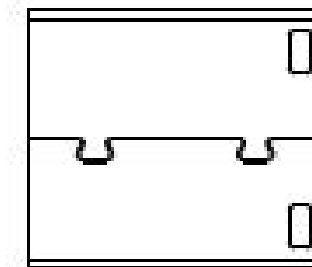
A

NOTES: UNLESS OTHERWISE SPECIFIED

- 1. INTERPRET DRAWING PER ANSI/ASME Y14.5M-LATEST REVISION.
- 2. MATERIAL: STAINLESS STEEL, 302
- 3. FLAGNOTES AND BALLOONED ITEMS () INDICATE INSPECTION CRITERIA.
- 4. PACKAGE PARTS TO AVOID DAMAGE AND LABEL PACKAGE WITH PART NUMBER, DASH NUMBER, REVISION LEVEL AND DATE OF MANUFACTURE.
- 5. FINISHED PART MUST BE ROHS COMPLIANT.

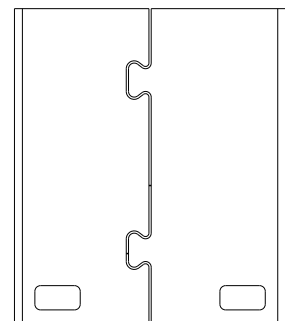
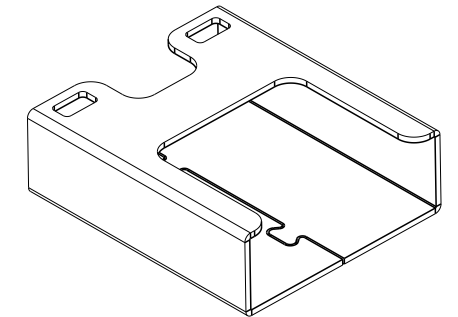
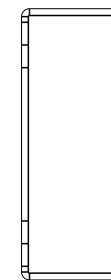
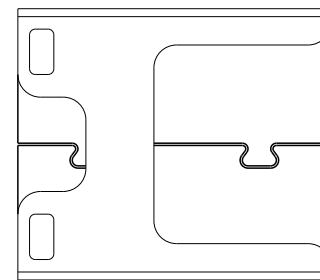
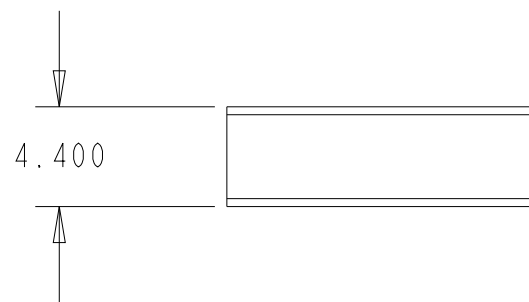


VENDOR TO PROVIDE
REQUIRED INTERLOCK
GEOMETRY OF INDICATED
FEATURE

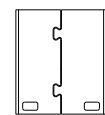


Laser Etched Regulatory Details

SAFETRUST MODEL SL100
FCC ID: 2ANI5SL100
IC: 23133-SL100
SN: 1000000
MADE IN USA



SCALE 1.000



UNLESS OTHERWISE SPECIFIED, DIM'S ARE IN MM'S. TOLERANCES ARE:	
∠ =	±.5°
.XX =	±.25MM
.XXX =	±.127MM
.XXXX =	N/A

THIS DOCUMENT CONTAINS CONFIDENTIAL INFORMATION WHICH MAY BE PROPRIETARY. NEITHER THIS DOCUMENT NOR THE INFORMATION CONTAINED HEREIN SHALL BE DISCLOSED OR REPRODUCED, IN WHOLE OR IN PART, WITHOUT THE EXPRESS WRITTEN CONSENT OF EITHER PRECISION ENGINEERING AND CONSULTING LLC, OR THE CUSTOMER.

PRECISION ENGINEERING AND CONSULTING, LLC 21820 31st Drive SE Bothell, WA 98021		
USB SLEEVE		
SIZE B	SABRE_USB_SLEEVE-01	REV A
SCALE: 3.000		SHEET: 1 OF 1

4

3

2

1

Safetrust Laser Marking

SAFETRUST MODEL SL100

FCC ID: 2ANI5SL100

IC: 23133-SL100

SN: 1000000

MADE IN USA



CE

IC

All Rights Reserved