



IoT Sensor Keypad

MODEL: SA530

PART#: 8845-300

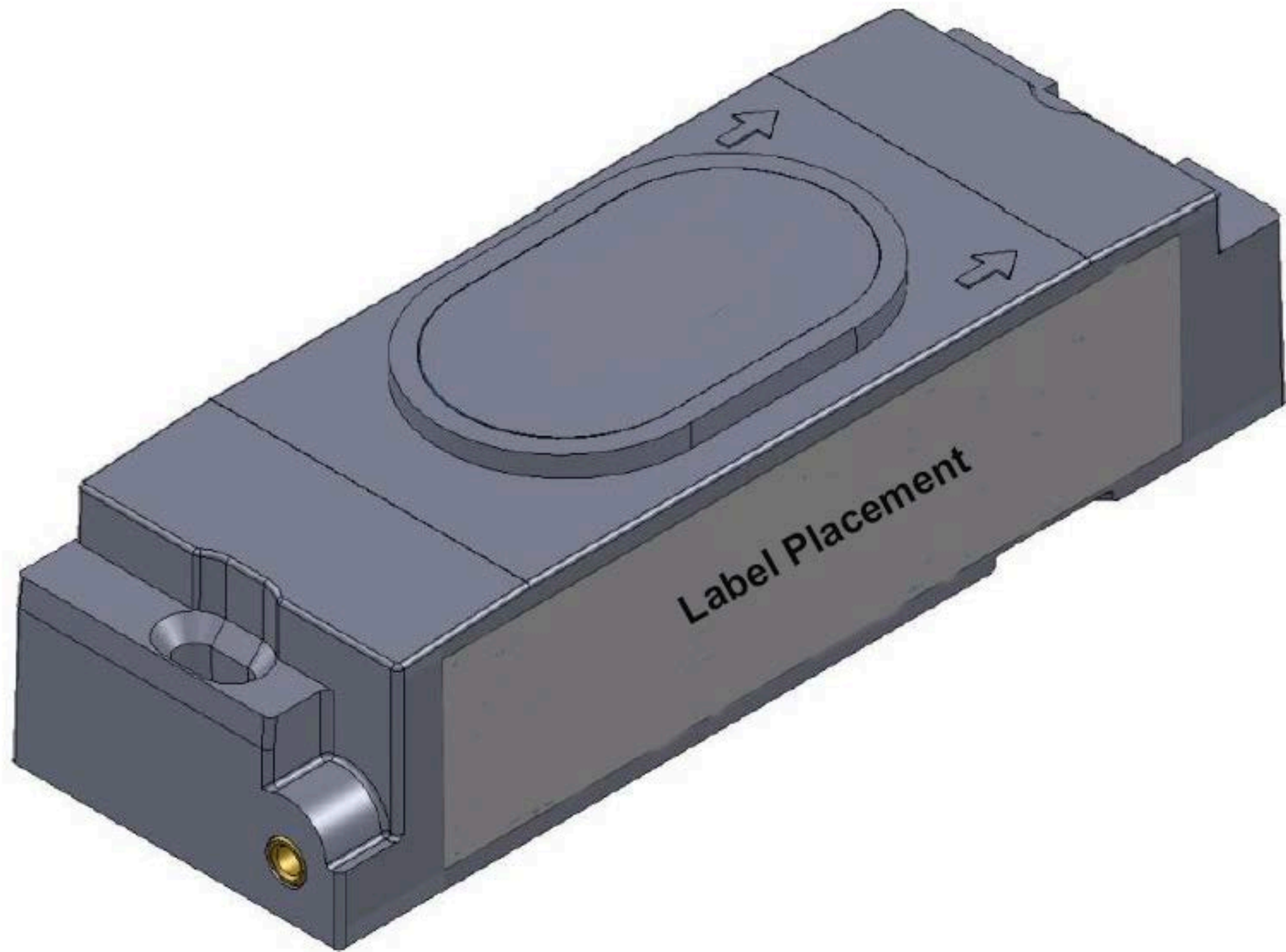
FCC ID: 2ANI5SA530

IC: 23133-SA530

**PRODUCT &
INSTALL INFO**



A



Label Placement