



IoT Sensor Mullion

MODEL: SA510

PART#: 8845-100

FCC ID: 2ANI5SA510

IC: 23133-SA510

Made in USA

Patents & Patents pending

Black - Ground

Grey - Relay In*

Blue - Relay Out*

Brown - Red LED

Purple - Tamper

Orange - Green LED

Voltage: 7 to 16 VDC

Current Rating @12VDC: 75mA Av; 200mA Pk

Suitable for outdoor use

***Low Voltage Relay**

Green - Wiegand D0/Clock

White - Wiegand D1/Data/F2F

Red - 12VDC

Aqua - OSDP TX+ / RS-485(A) / D0

Pink - OSDP TX- / RS-485(B) / D1

Yellow - Beeper

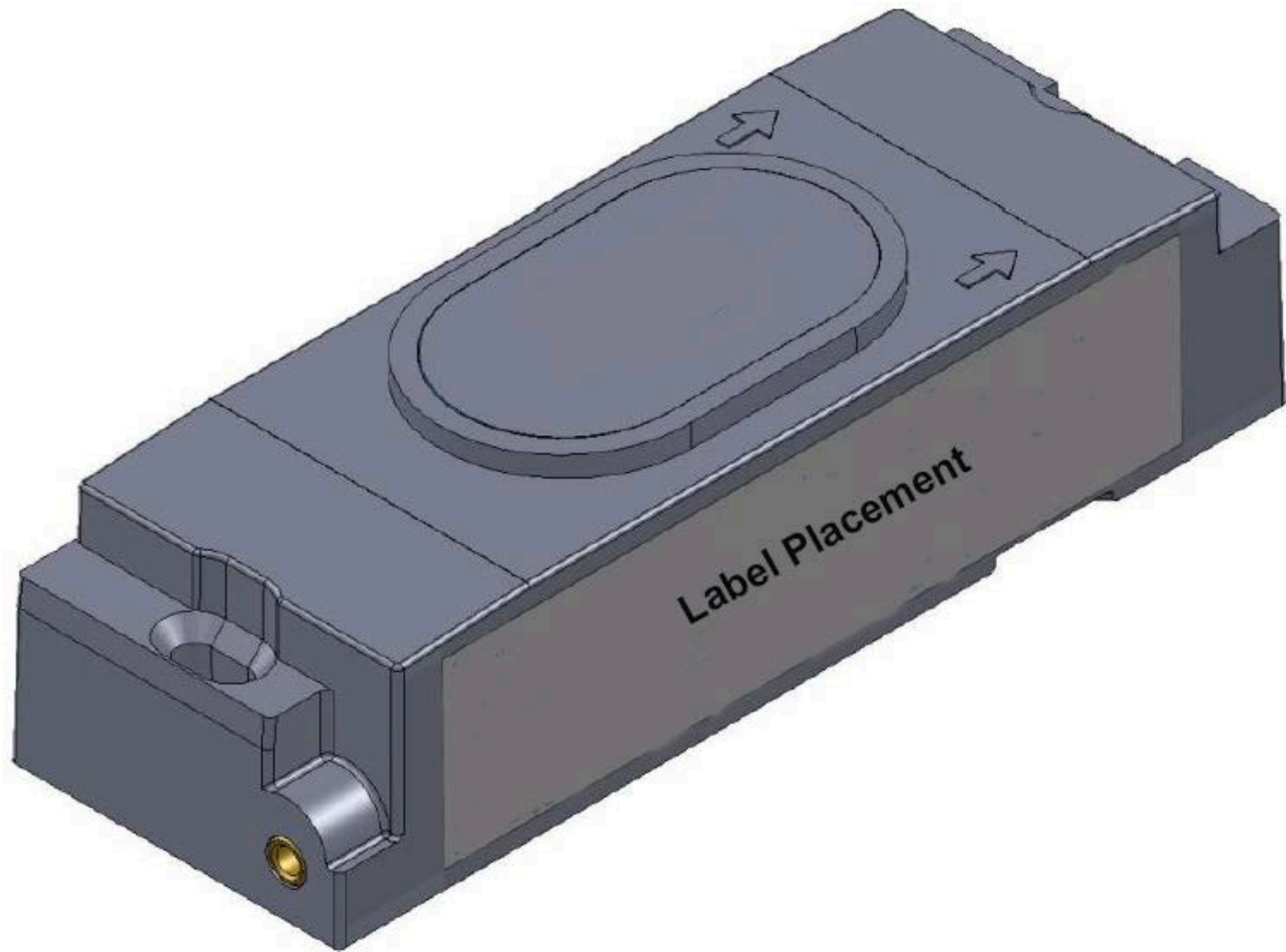


**PRODUCT &
INSTALL INFO**



SCAN ME

^A



Label Placement