

REMOTE CONTROL PROGRAMMING INSTRUCTIONS

GD-R12 - FOR PURPLE LEARN BUTTON

FCC ID: 2ANHJGDR12



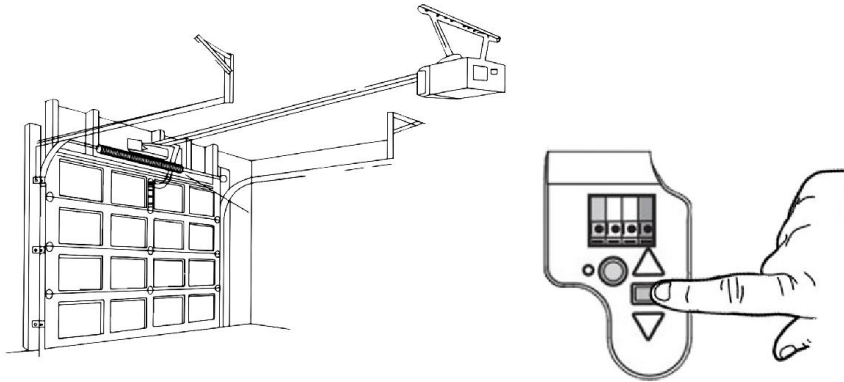
1 Button Remote Control



3 Button Remote Control

INSTRUCTIONS TO PROGRAM A REMOTE:

1. Press and release the purple learn button on the back of the motor unit. The light will illuminate for 30 seconds. This indicates the unit is in programming mode.



2. Within 15 seconds press the button you wish to program on the remote control.



3. You will hear an audible click and/or the light on the motor unit will turn off indicating the remote successful programming.

*Repeat steps 1-3 for any additional remotes you wish to program. Wait 60 seconds before programming another remote control.

INSTRUCTIONS TO ERASE ALL CODES FROM MEMORY:

Press and hold the purple learn button the back of the motor unit for 6 seconds or until the light turns off.

⚠ WARNING

In order to prevent possible **SERIOUS INJURY** or **DEATH** from a moving gate or garage door:

- Keep remote controls out of the reach of children.
- Only use the remote control when the gate/garage door can be seen clearly, is properly adjusted, and there are no obstructions to door travel.
- Keep the gate/garage door in sight until it is completely closed. Do not allow anyone to cross paths with the gate/garage door while moving or operating the remote control.

Federal Communications Commission (FCC) Interference Statement

This equipment has been tested and found to comply with the limits for a Class B digital device, pursuant to Part 15 of the FCC Rules.

These limits are designed to provide reasonable protection against harmful interference in a residential installation. This equipment generate, uses and can radiate radio frequency energy and, if not installed and used in accordance with the instructions, may cause harmful interference to radio communications.

However, there is no guarantee that interference will not occur in a particular installation. If this equipment does cause harmful interference to radio or television reception, which can be determined by turning the equipment off and on, the user is encouraged to try to correct the interference by one of the following measures:

- Reorient or relocate the receiving antenna.
- Increase the separation between the equipment and receiver.
- Connect the equipment into an outlet on a circuit different from that to which the receiver is connected.
- Consult the dealer or an experienced radio/TV technician for help.

This device complies with Part 15 of the FCC Rules. Operation is subject to the following two conditions:

- (1) This device may not cause harmful interference, and
- (2) this device must accept any interference received, including interference that may cause undesired operation.

FCC Caution: Any changes or modifications not expressly approved by the party responsible for compliance could void the user's authority to operate this equipment.

RF exposure warning

This equipment complies with FCC radiation exposure limits set forth for an uncontrolled environment.

This equipment must not be collocated or operating in conjunction with any other antenna or transmitter.