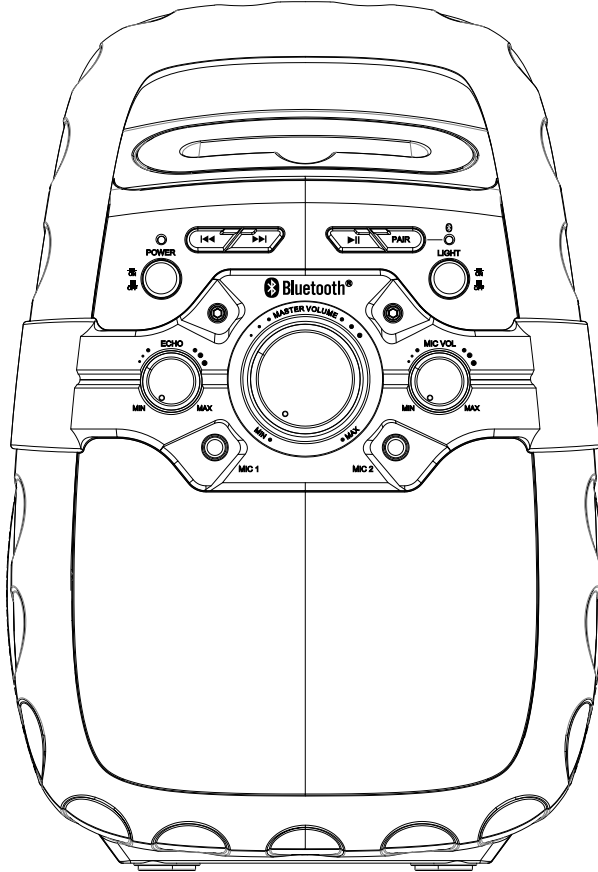


# JT1098 USER'S GUIDE

## ***FLASHING LIGHT KARAOKE***



V 1.0

**PLEASE READ BEFORE OPERATING THIS EQUIPMENT**

# Warnings and Precautions

- **CAUTION:** TO PREVENT ELECTRIC SHOCK, MATCH THE WIDE BLADE OF THE PLUG TO THE WIDE SLOT, AND THEN FULLY INSERT.
- **WARNING:** To reduce the risk of fire or electric shock, do not expose this apparatus to rain or moisture.
- **AVERTISSEMENT:** Pour réduire le risque d'incendie ou de choc électrique, ne pas exposer cet appareil sous la pluie et l'humidité.
- **CAUTION:** Use of controls or adjustments or performance of procedures other than those specified may result in hazardous radiation exposure.
- **WARNING:** Changes or modifications to this unit not expressly approved by the party responsible for compliance could void the user's authority to operate the equipment.
- **WARNING:** Do not place the unit on top of any soft, porous, or sensitive surfaces to avoid damaging the surface. Use a protective barrier between the unit and surface to protect the surface.
- **CAUTION:** Danger of explosion if battery is incorrectly replaced. Replace only with the same or equivalent type.
- **PRÉCAUTION:** *Danger d'explosion si les piles sont remplacées de façon incorrect. Remplacer les piles seulement par le même type de pile ou l'équivalent.*
- **WARNING:** There is a danger of explosion if you attempt to charge standard Alkaline batteries. Only charge NiMH batteries.
- **WARNING:** Lithium batteries, like all rechargeable batteries are recyclable and should not be recycled or disposed of in normal household waste. Contact your local government for disposal or recycling practices in your area. They should never be incinerated since they might explode.
- **WARNING:** Shock hazard - Do Not Open.
- **AVIC: RISQUE DE CHOC ÉLECTRIQUE - NE PAS OUVRI**

Do not mix old and new batteries.

Do not mix alkaline, standard (carbon-zinc), or rechargeable (ni-cad, ni-mh, etc) batteries.

*No mezcle baterías viejas y nuevas.*

*No mezcle baterías alcalinas, estándar (carbono-zinc) o recargables (ni-cad, ni-mh, etc.).*



**WARNING:** TO REDUCE THE RISK OF ELECTRIC SHOCK, DO NOT REMOVE THE COVER (OR BACK). NO USER-SERVICEABLE PARTS ARE INSIDE. SERVICING TO QUALIFIED SERVICE PERSONNEL.



The lightning flash with arrowhead symbol, within an equilateral triangle, is intended to alert the user to the presence of uninsulated "dangerous voltage" within the product's enclosure that may be of sufficient magnitude to constitute a risk of electric shock to persons.



The exclamation point within an equilateral triangle is intended to alert the user to the presence of important operating and maintenance (servicing) instructions in the literature accompanying the appliance.

This device complies with Part 15 of the FCC rules. Operation is subject to the following two conditions: 1) this device may not cause harmful interference, and 2) this device must accept any interference received, including interference that may cause undesired operation.

Changes or modifications not expressly approved by the party responsible for compliance could void the user's authority to operate the equipment.

This device complies with Industry Canada's licence-exempt RSSs. Operation is subject to the following two conditions:

- (1) This device may not cause interference; and
- (2) This device must accept any interference, including interference that may cause undesired operation of the device.

Cet appareil est conforme aux CNR exemptes de licence d'Industrie Canada.

Son fonctionnement est soumis aux deux conditions suivantes :

- ( 1 ) Ce dispositif ne peut causer d'interférences ; et
- ( 2 ) Ce dispositif doit accepter toute interférence , y compris les interférences qui peuvent causer un mauvais fonctionnement de l'appareil.

# Important Safety Information

1. Read these instructions.
2. Keep these instructions.
3. Heed all warnings.
4. Follow all instructions.
5. Do not use this apparatus near water.
6. Clean only with a dry cloth.
7. Do not block any ventilation openings. Install in accordance with the manufacturer's instructions.
8. Do not install near any heat sources such as radiators, heat registers, stoves, or any other apparatus (including amplifiers) that produce heat.
9. Do not defeat the safety purpose of the polarized or grounding type plug. A polarized plug has two blades with one wider than the other. A grounding type plug has two blades and a third grounding prong. The wide blade or the third prong are provided for your safety. When the provided plug does not fit into your outlet, consult an electrician for replacement of the obsolete outlet.
10. Protect the power cord from being walked on or pinched particularly at the plug, and the point where it exits from the apparatus.
11. Only use attachments/accessories specified by the manufacturer.



12. Use only with a cart, stand, tripod, bracket, or table specified by the manufacturer, or sold with the apparatus. When a cart is used, use caution when moving the cart/apparatus combination to avoid injury from tip-over.

13. Unplug this apparatus during lightning storms or when unused for long periods of time.
14. Refer all servicing to qualified service personnel. Servicing is required when the apparatus has been damaged in any way, or if the power supply or plug is damaged, if liquid has been spilled or objects have fallen into the apparatus, the apparatus has been exposed to rain or moisture, does not operate normally, or has been dropped.

## FCC Warnings

NOTE: This equipment has been tested and found to comply with the limits for a Class B digital device, pursuant to Part 15 of the FCC Rules. These limits are designed to provide reasonable protection against harmful interference in a residential installation. This equipment generates, uses, and can radiate radio frequency energy and, if not installed and used in accordance with the instructions, may cause harmful interference to radio communications. However, there is no guarantee that interference will not occur in a particular installation. If this equipment does cause harmful interference to radio or television reception, which can be determined by turning the equipment off and on, the user is encouraged to try to correct the interference by one or more of the following measures:

- Reorient or relocate the receiving antenna.
- Increase the separation between the equipment and receiver.
- Connect the equipment into an outlet on a circuit different from that to which the receiver is connected.
- Consult the dealer or an experienced radio/TV technician for help.

This device complies with part 15 of the fcc rules. Operation is subject to the following two conditions. (1) This device may not cause harmful interference, and (2) this device must accept any interference received, including interference that may cause undesired operation.

## Additional Warnings

- The apparatus shall not be exposed to dripping or splashing and that no objects filled with liquids, such as vases, shall be placed on the apparatus.

*L'appareil ne doit pas être exposé aux écoulements ou aux éclaboussures et aucun objet ne contenant de liquide, tel qu'un vase, ne doit être placé sur l'objet.*

- Inserted batteries should not be exposed to excessive heat such as that from sunshine or fire.

*Les piles ne doivent pas être exposées à de forte chaleur, tel qu'à la lumière du soleil, au feu ou autres choses de semblable.*

- The marking information is located at the rear or back of apparatus. *Les informations de marquage est situé à l'arrière ou à l'arrière de l'appareil.*

## Contents

<b>Warnings and Precautions</b> .....	<b>1</b>
<b>Important Safety Instructions</b> .....	<b>2</b>
<b>Contents</b> .....	<b>3</b>
<b>Feature / Included</b> .....	<b>4</b>
- Features	
- Included	
<b>Introduction</b> .....	<b>5</b>
<b>Location Controls</b> .....	<b>6</b>
<b>General Operations</b> .....	<b>6</b>
- Connect Power Adapter	
- Battery Operation	
- Turning ON/OFF	
- Light Function	
- Sing along Function	
- Echo	
- Microphones	
<b>Bluetooth Operation</b> .....	<b>8</b>
- Getting Connected	
- Playing music from an External Bluetooth Device	
<b>Auxiliary Operation</b> .....	<b>8</b>
- LINE IN (Aux In / AUDIO In)	
<b>Specification</b> .....	<b>9</b>

## Feature / Included

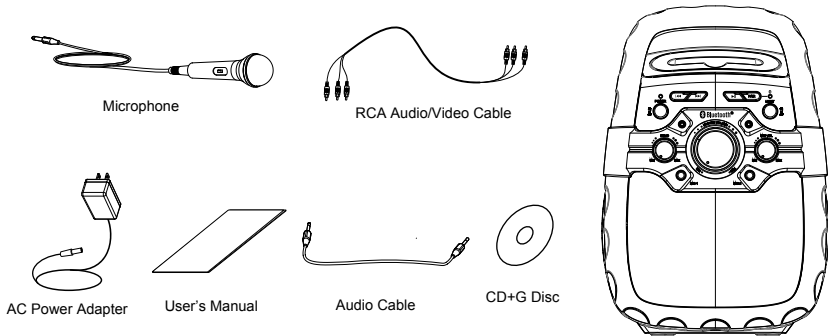
### Feature

- Flashing Lights On The Top and The Handle
- Bluetooth wireless stereo audio streaming
- Support A2DP Profiles for most smart phones / laptops
- Microphone Volume Controls
- Echo Control
- Master Volume Controls
- Microphone Jacks, 6.3mm x2
- Line in jack 3.5mm (Aux input / Audio input)
- Built-in speakers
- Power: Requires AC power adapter or Batteries 6 x UM2

### Included

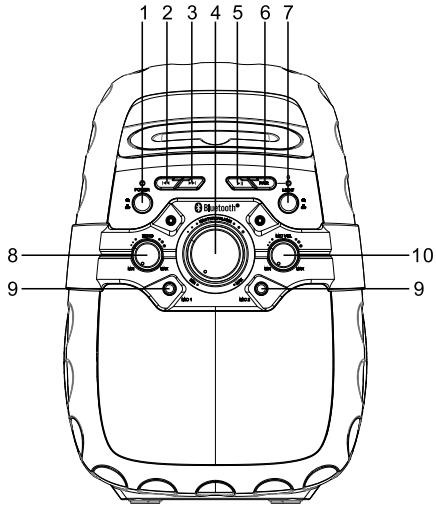
- Flashing Light Karaoke Unit
- Microphones
- AC power adapter
- User Manual
- AUX IN Cable

Fishing Light Karaoke Unit

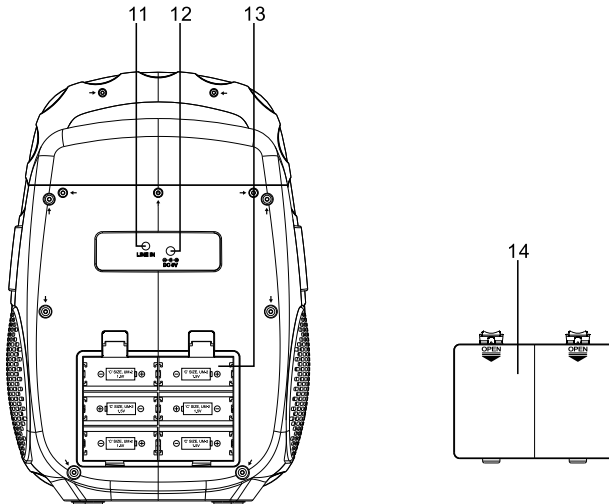


# Introduction

## FRONT VIEW



## REAR VIEW



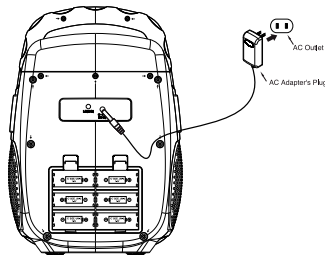
## Location Controls

1. **POWER Button:** Press the Power button to turn the unit on.
2. **SKIP(Back):** Press to skip previous tracks.
3. **SKIP(Forward):** Press to skip next tracks.
4. **MASTER VOLUME Dial:** Rotate to adjust the main volume sound level.
5. **PLAY / PAUSE Button:** press to play or pause playback.
6. **PAIR Button:** Press to disconnect any paired devices in order to pair another device.
7. **LIGHT Button:** Press to turn on/off Lights effect.
8. **ECHO Dial:** Rotate to adjust echo sound effect.
9. **MIC Inputs :** Mic 1 and Mic 2 input jack
10. **MIC VOLUME Dial:** Rotate to adjust the volume from the MIC input.
11. **LINE IN (Aux in / Audio in):** Connect to external device audio output.
12. **DC INPUT Jack:** Connect power adapter for AC power.
13. **BATTERY COMPARTMENT:** Insert six size "C" or UM-2 batteries for DC power.
14. **SPEAKER:** Unit Speaker location.
15. **BATTERY COMPARTMENT COVER**

## General Operations

### Connect Power Adapter

Plug the included AC adapter into the standard AC power outlet to power the **UNIT**. Connect small end to **DC INPUT** jack of main unit. After adapter connection, Press the **Power Button** to turn on the unit



### Battery Operation

Before installing batteries (not included), ensure that the unit is disconnected from the mains supply. Remove the battery compartment cover on the back of the unit by carefully pushing the two lugs left. The battery cover can then be lifted away. Fit the 1.5V (UM2) x 6 pcs batteries (not included), referring to the polarity markings. Finally, replace the cover

For battery operation, remove the adapter from the wall outlet and unplug from the unit.

### **Warning!**

1. *Danger of explosion if batteries are incorrectly replaced.*
2. *Replace batteries with the same equivalent type only.*

### **Turning ON/OFF**

To turn on the unit, press the **Power Button**, the Power LED will light up. To turn it off, press the **Power Button** again, the Power LED will light off.

### **Light Function**

To turn on the Light effect, press the **LIGHT Button**, the light effect will light up. To turn it off, press the **LIGHT button** again, the Light effect will light off.

### **Sing along Function**

Sing along with the music by plugging in the provided microphone into either one of the microphone sockets on the unit.

### **Echo**

Adjust the **ECHO** dial of the unit to enhance your voice for a concert hall effect.

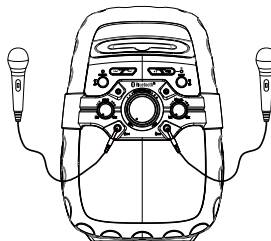
### **Microphones**

Connect Microphones require a microphone into the MIC1 input socket or MIC2 input socket.

Slide the **ON/OFF** switch of the MICROPHONE on and use the unit's **MIC VOLUME** to adjust the volume of audio sound from the microphone.

Requires a microphone (included)

1. Plug the microphone(see below figure) into the MIC1 input or MIC2 input.
2. Slide the ON/OFF switch of MICROPHONE.
3. Use the MIC VOLUME dial of Sing along Unit to adjust the volume of audio sound from the microphone.





## Bluetooth Operation

External devices that have a built-in Bluetooth feature can connect wirelessly to the unit.

### Getting Connected

Pairing a Bluetooth device

1. Power on the unit by press **POWER Button**, BT Pair indicator light will flash.
2. Set the Bluetooth function of your external device to ON and begin searching for devices.  
*Note: The effective distance between your external device and this apparatus is 10 meters (30 feet).*
3. Once "**KARAOKE**" appears on the paired device list of your external device, select it.
4. If you are asked for a password, enter "0000".
5. An audible chime sound will be heard and Pair indicator light blue steadily that indicates a connection has been established.
6. A few seconds later your Bluetooth connection should be ready to use.

Note: After initial pairing, the unit will stay paired unless unpaired manually by the user or erased due to a reset of the device. If your device should become unpaired or your find it is unable to connect, repeat the above steps or press & hold the **PAIR button** again.

### Playing Music from an External Bluetooth Device

1. Follow the "Getting Connected" steps above to pair your external device.
2. Turn on the music player program on your external device and set it to play.
3. Audio played through the connected Bluetooth Device will now be heard through the speakers.
4. Adjust the **MASTER VOLUME** to obtain the desired volume level.

## Auxiliary Operation

External (auxiliary) audio sources or MP3 players can connect to the Sing Along unit via LINE IN.

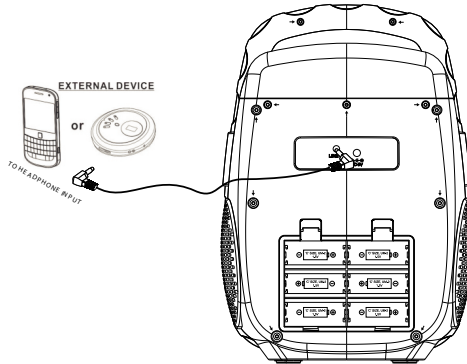
### LINE IN (AUX In / AUDIO In )

To connect a MP3 Player or other Audio Device you will need a 3.5mm Auxiliary Cable.

1. Connect a 3.5 mm Auxiliary Cable(not included) to the **LINE IN** jack at the rear side of unit and to the Audio Output or Phones on the audio device you wish to play.

2. Turn on both units.
3. After the connection, the external device will sound from speakers of your unit.

**Please note:- If not use this function, please unplug it.**



## Specification

AC Power Adapter Connect DC Jack	<b>Use included adapter</b> AC~ Input 100-240V 50 / 60 Hz , DC Output 5V , 800mA
Master Power Output	<b>2W x 2 RMS</b>
Loud Speakers Spec	<b>3 Inch, 3 Watt , 4 Ohm</b>

Specifications are typical, individual units might vary. They are subject to continuous improvement without notice and without incurring any obligation.