

SYLVANIA

## Car FM Transmitter User Guide

SBT1100

### Introduction

The **SBT1100** Bluetooth FM Transmitter utilizes Bluetooth 3.0 technology and equips three USB ports: one for USB music file playing; two designed for charging (IOS and Android devices). Moreover, it supports TF card and AUX Input. **SBT1100** provides multi-solutions for your hands-free driving and in-car stereo streaming. Smart phone can be connected to SBT1100 through Bluetooth and stream through car FM system.

#### FCC NOTICE:

2ANH7-SBT1100

This equipment has been tested and found to comply with the limits for a Class B digital device, pursuant to Part 15 of the FCC Rules. These limits are designed to provide reasonable protection against harmful interference in a residential installation. This equipment generates, uses and can radiate radio frequency energy and, if not installed and used in accordance with the instructions, may cause harmful interference to radio communications. However, there is no guarantee that interference will not occur in a particular installation. If this equipment does cause harmful interference to radio or television reception, which can be determined by turning the equipment off and on, the user is encouraged to try to correct the interference by one or more of the following measures:

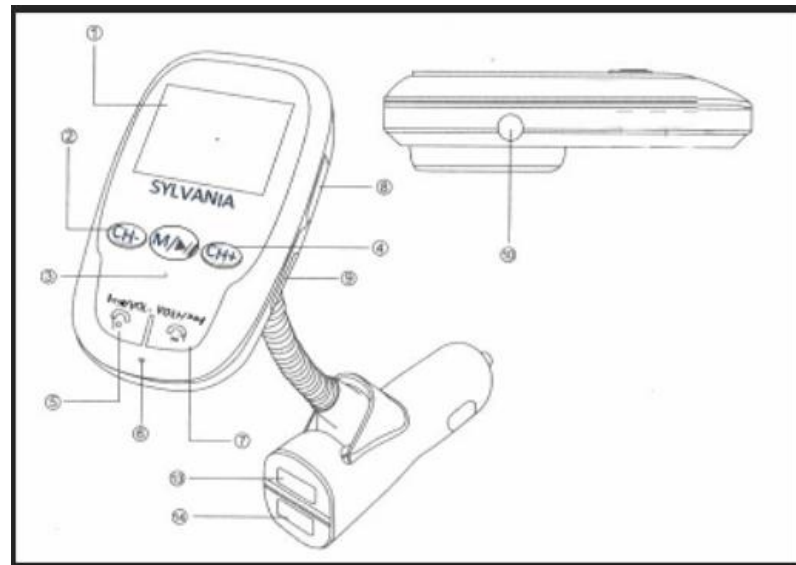
- Reorient or relocate the receiving antenna.
- Increase the separation between the equipment and receiver.
- Connect the equipment into an outlet on a circuit different from that to which the receiver is connected.
- Consult the dealer or an experienced radio/TV technician for help.

To assure continued operation, follow the attached installation instructions and use only shield cables when connecting to other devices. Changes or modifications not expressly approved by the party responsible for compliance could void the user's authority to operate the equipment.

This device complies with part 15 of the FCC Rules. Operation is subject to the following two conditions:

- (1) This device may not cause harmful interference, and
- (2) This device must accept any interference received, including interference that may cause undesired operation.

### Product Diagram



- ① Display screen
- ② Frequency (channel) down
- ③ Multi-function button
- ④ Frequency (channel) up
- ⑤ Hang up/power off
- ⑥ Microphone
- ⑦ Answer the call/pause
- ⑧ USB port (for reading file)
- ⑨ TF card slot
- ⑩ Aux input / Aux output
- ⑪ Charger USB1
- ⑫ Charger USB2

## Read before use

1. The transmitter will connect to the pre-set phone automatically when turned on (Keep mobile phone's Bluetooth active).
2. For the best audio quality, find a least interfered frequency and adjust to find an ideal volume for the FM transmitter (Volume 15 is usually good).
3. If the noise is too loud, please try other vacant FM frequency or use the Aux-In port.
4. The transmitter will power off automatically without any operation in 5 minutes (without flash drive or TF card in), you need to long press the multi-function button for 2 seconds to turn it on again.
5. Never disassemble the product, which will void its warranty and cause safety concern.

## Specifications

FM Frequency Range: 88.1~107.9MHz  
Frequency Stability: ±10ppm  
Product Input: 12-24V  
USB Charger Output: 5V/3A (total)  
TF Card Slot and USB Reader Support  
Music Format: MP3, WMA  
TF Card and USB Flash Drive (Max capacity): 32GB  
FM Operating Distance: about 5M

## Operation Instruction

### 1. FM Transmitter Set-up

- 1). Plug this device into your car cigarette lighter port, it will turn on automatically;
- 2). Tune on radio to a vacant FM frequency, then adjust this device to sync the same frequency (via "CH+" button ④ and "CH-" button ②).

**(please find a least interfered vacant frequency, in order to achieve least**

### 2. TF Card and USB Flash Drive

Insert your TF card into TF card slot ⑨ or insert USB flash drive into USB reader port ⑧. It will play your MP3/WMA audio automatically.

### 3. Bluetooth Phone Set-up

Using Bluetooth for the first time, you need to pair your mobile phone with this unit. Activate your mobile phone's Bluetooth function, then detect and pair this unit (SBT1100).

### 4. Bluetooth calling

**In the music playing mode, when there is an incoming call, this unit will automatically switch to the telephone mode.**

- 1). Please press the "Answer the Call button ⑦" to answer incoming call.
- 2). Please press the "hang up button ⑤" to hang up a call.
- 3). Please press the "Answer the Call button ⑦" twice to dial the last number.

### 5. AUX Input / AUX Output

Aux Input: Use the audio cable (not included) to connect MP3/MP4 players or other external device and the other end connect to the "Aux input / Aux output ⑩".

Aux Output: Use the audio cable (not included) to connect external speaker's Aux In port and the other end connect to the "Aux input / Aux output ⑩", this unit can be used as a card reader.

### 6. Charge Function

There are dual USB Charging ports ⑪ and ⑫, one for 5V 2.1A and the other for 5V 1A. The different current is for different devices charging. USB Port ⑧ is not intended for charging purpose.

### 7. Playing Mode Switch

While playing audio, short press M/▶|| button ③, you can pause or play again. Long press M/▶|| button ③, you can switch audio source from Bluetooth, TF card, USB flash drive or Aux input.

## Quick Guide

Operation Guide	On FM transmitter
1. Set Frequency	Press "CH+" button ④: increase the frequency; Press "CH-" button ②: decrease the frequency.
2. Choose audio	Short press VOL+/▶▶  button ⑦: play the next audio. Short press ◀◀/VOL- button ⑤: play the previous audio.
3. Play and pause the audio	Short press M/▶   button ③
4. Answer/hang up a call	Press answer the call button ⑦ / hang up button ⑤
5. Adjust the volume	Long press VOL+/▶▶  button ⑦: volume up Long press ◀◀/VOL- button ②: volume down
6. Reject a call	Press hang up button ⑤
7. Private call answer	Long press answer the call button ⑦ for three seconds, you can answer the call privately, instead of via the Bluetooth.