

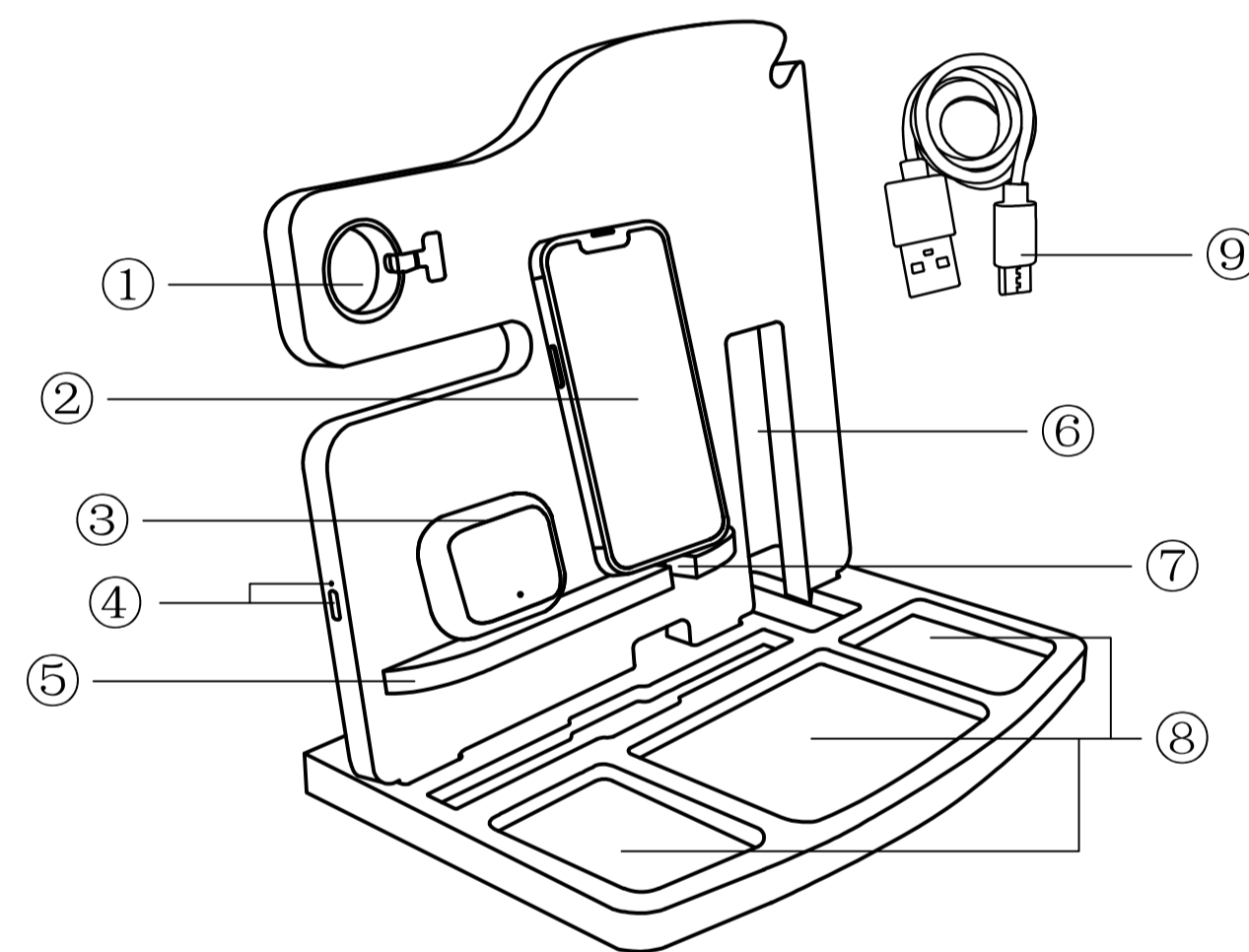
User Manual



It is recommended to read this user manual carefully and keep it for future reference.

Product Overview

- ① Charging Dock for Apple® and Samsung® watches
- ② Phone Wireless Charging area
- ③ Earbuds Wireless Charging area
- ④ Type-C Input & Charging Light
- ⑤ Earbuds Holder
- ⑥ Wallet Holder
- ⑦ Cable Hole
- ⑧ Utensils Tray
- ⑨ Type-C Cable



Specifications

Type-C Input: 5V2A, 9V2A Phone Wireless Charging Output: 5V1A, 9V1.6A
Rate Power: 15W+5W Earbuds Wireless Charging Output: 5V1A

Operation:

1. Connect one end of the cable to the power source and the other to the Type-C port.
2. Put your device that can be charged wirelessly on top of the wireless charger, ensuring that it is face up and centrally positioned.
3. When the charger stand is powered on, the white and green light flashes. When the earbuds wireless charging, the white light is on. When the phone wireless charging, the green light is on. When the phone and the earbuds are wireless charging together, the white light and the green light are steady on at the same time.

Note: If your phone has a protective case you may need to remove it for a successful connection when using the wireless charger.

Warnings:

1. Do not expose this product to rain or damp conditions.
2. Prevent this item from falling as it could cause serious damage.
3. Do not dismantle, repair or modify this product by yourself, contact an authorized specialist.
4. In order to avoid any risk, do not dispose of this product inappropriately or throw it into the fire.
5. Clean it with a dry cloth.
6. Do not place this item near sources of heat or expose to direct sunlight.
7. Do not insert any metal objects into this device as there is a risk of causing a short circuit in the unit.
8. To avoid risk, do not place any metal objects between the charger and the mobile device during the charging process.
9. Do not use mobile devices with a metal case.
10. Keep out of reach of children.

FCC statement:

This device complies with Part 15 of the FCC Rules. Operation is subject to the following two conditions:

- (1) this device may not cause harmful interference, and (2) this device must accept any interference received, including interference that may cause undesired operation.

This device has been tested and found to comply with the limits for a Class B digital device, pursuant to Part 15 of the FCC Rules. These limits are designed to provide reasonable protection against harmful interference in a residential installation. This device generates, uses and can radiate radio frequency energy and, if not installed and used in accordance with the instructions, may cause harmful interference to radio communications.

However, there is no guarantee that interference will not occur in a particular installation. If this device does cause harmful interference to radio or television reception, which can be determined by turning the device off and on, the user is encouraged to try to correct the interference by one or more of the following measures: --Reorient or relocate the receiving antenna.

- Increase the separation between the device and receiver.
- Connect the device into an outlet on a circuit different from that to which the receiver is connected.
- Consult the dealer or an experienced radio/TV technician for help

Changes or modifications not expressly approved by the party responsible for compliance could void the user's authority to operate the equipment