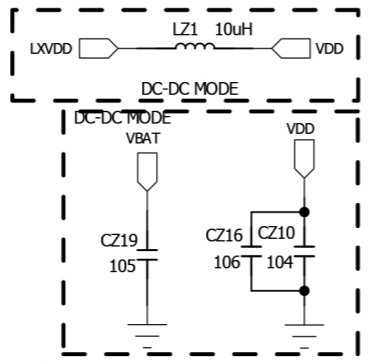
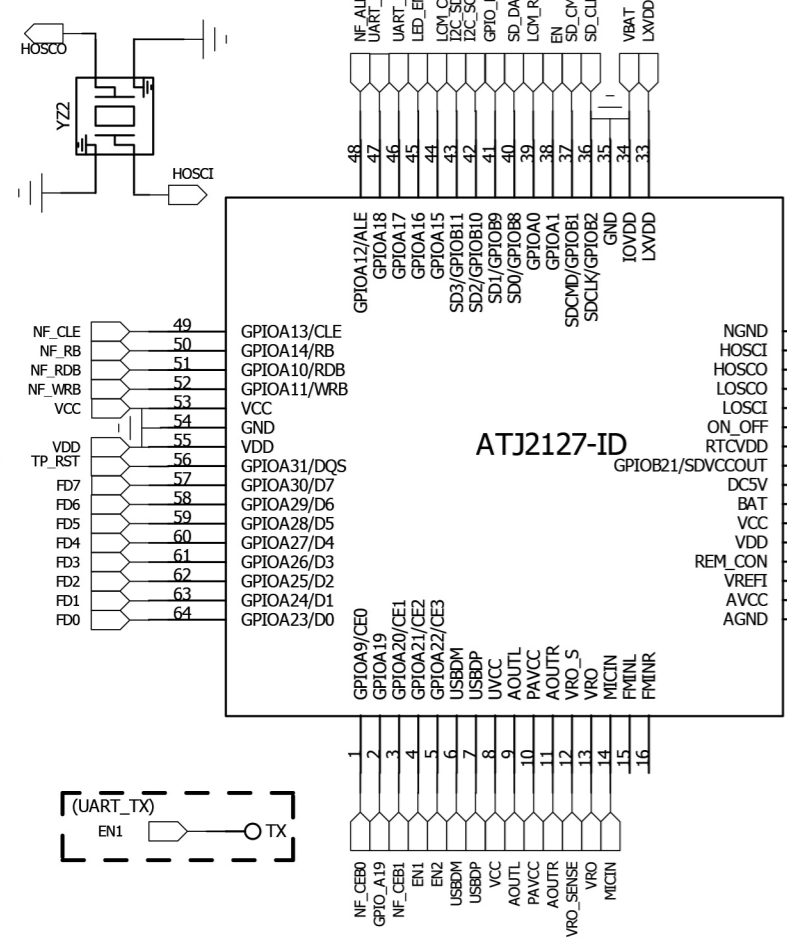
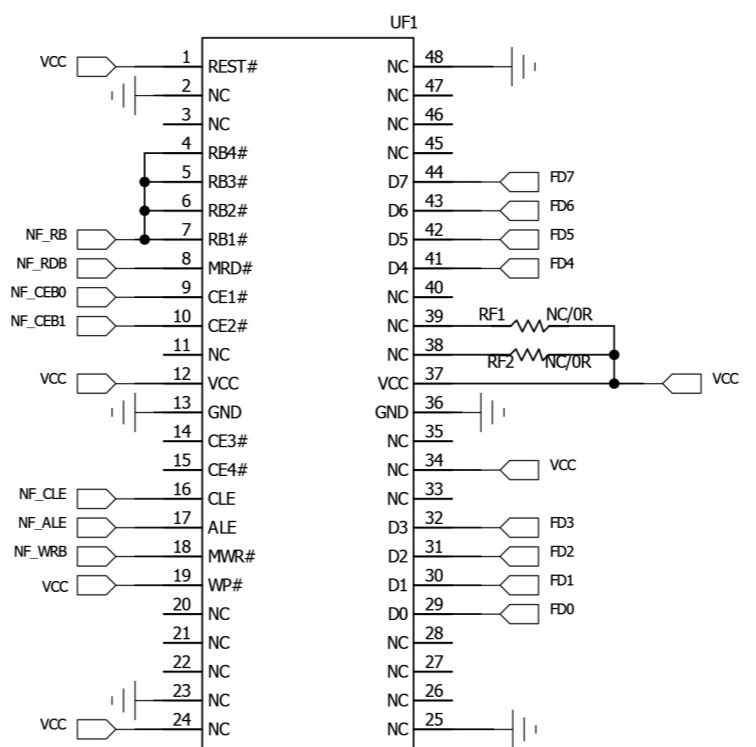


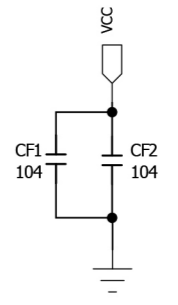
MCU



Nand Flash

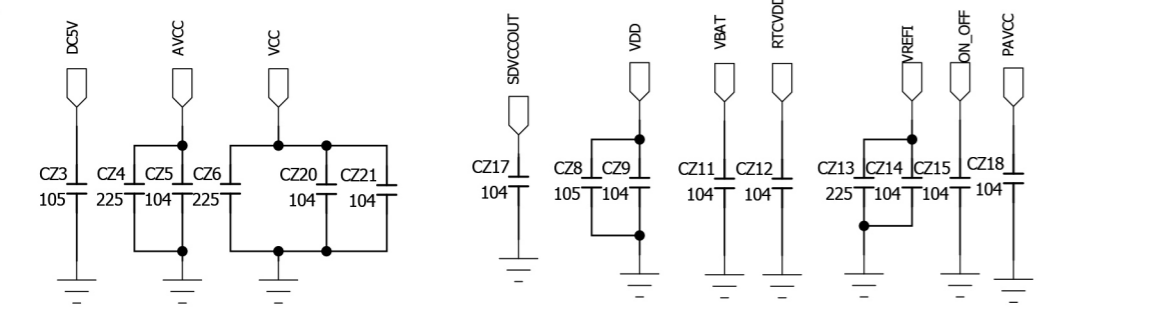


RF48 must paste according as nandflash's SPEC  
 RF1&RF2 CONNECT OR NOT DEPEND ON THE FLASH MODE WE ADOPT  
 For common flash,RF1&RF2 NC.  
 For special mode flash,connect RF1&RF2 as follows:  
 (1)Toshiba MLC,TLC flash need connect RF2 and not connect RF1  
 (2)Samsung's 27nm FLASH(K9GBG08UXA) need connect RF2 and not connect RF1  
 (3)Samsung's 34nm and 25nm(include <25nm) need connect RF1 and not connect RF2  
 (4)MIRCON or Intel MLC,TLC Flash need connect RF1 and not connect RF2



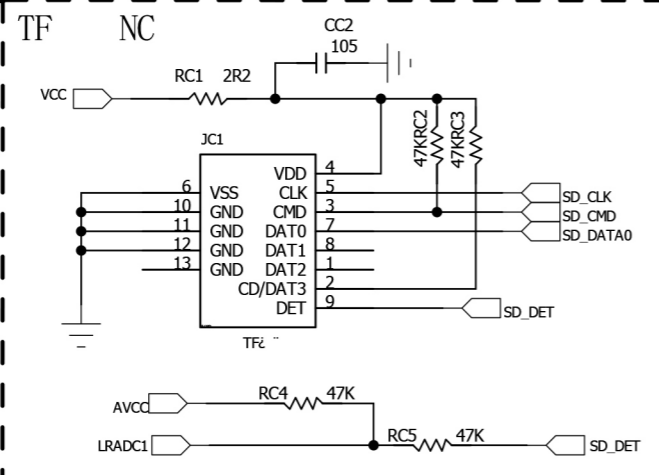
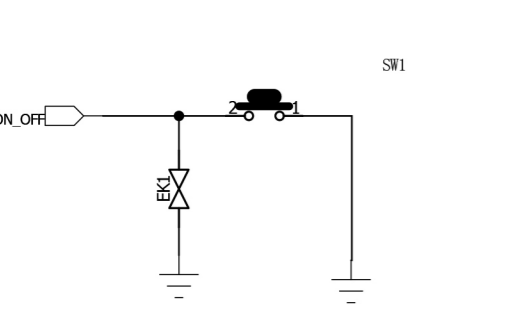
Flash PFE13

RF25 must paste according as nandflash's SPEC

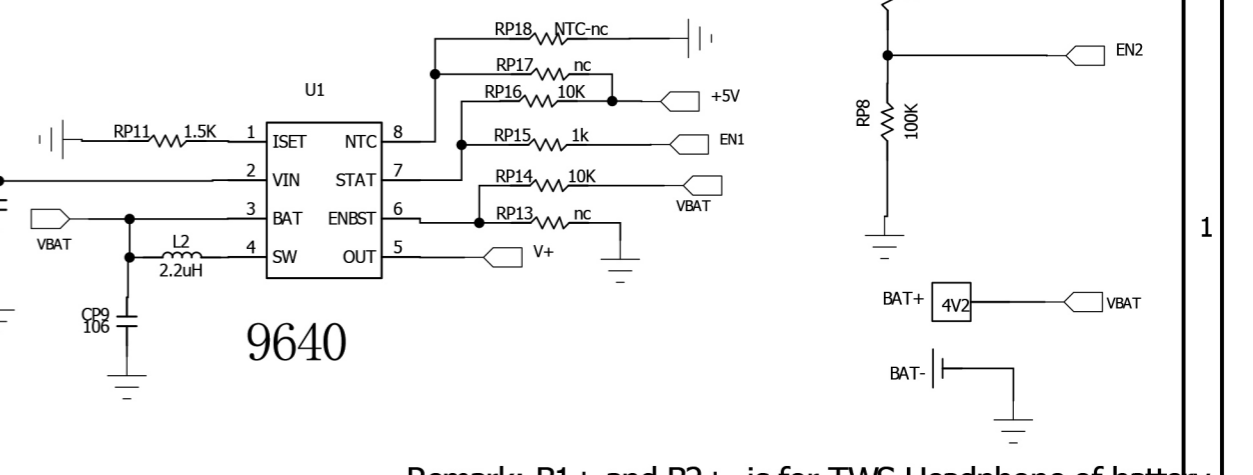
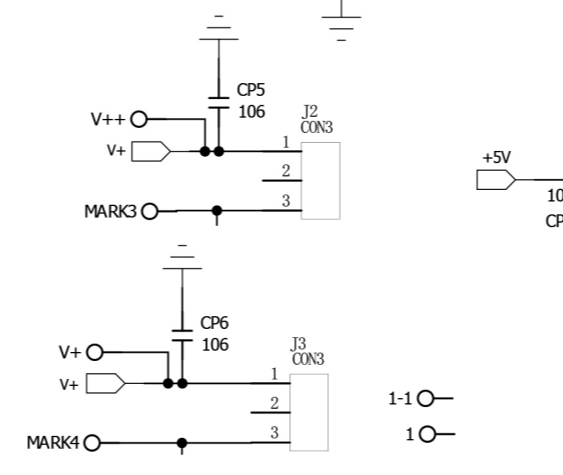
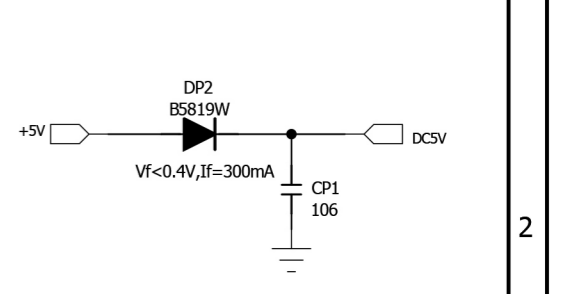
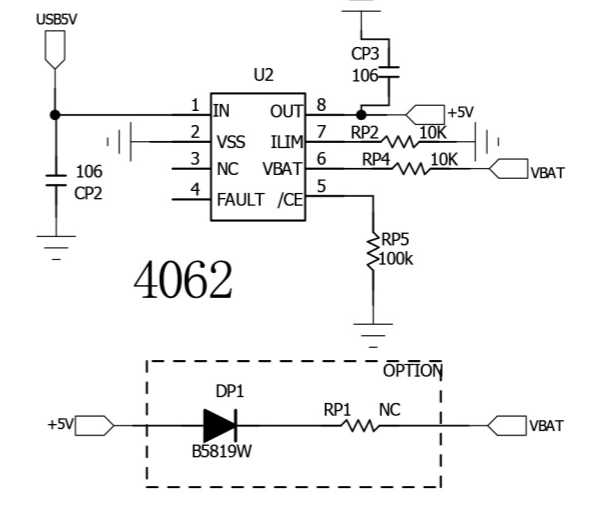
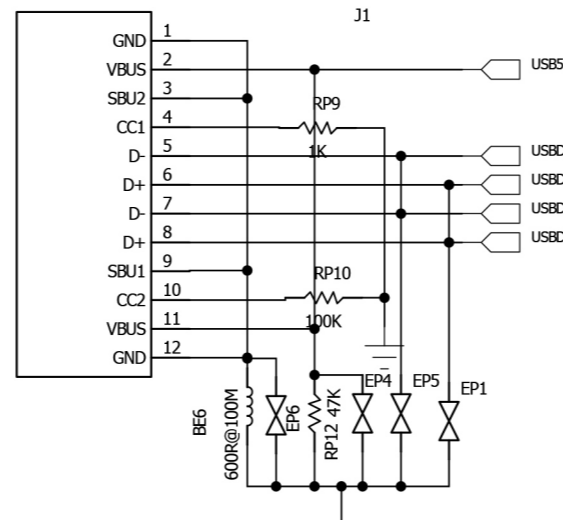


by-pass capacitors  
 (1) CZ18=104 in direct drive mode(OCL)  
 CZ18=106 in no direct drive mode(OTL)  
 (2) If EMI is OK,CZ4 and CZ6 can be 225  
 (3) If audio noise is OK,CZ13 can be 225

KEY Module

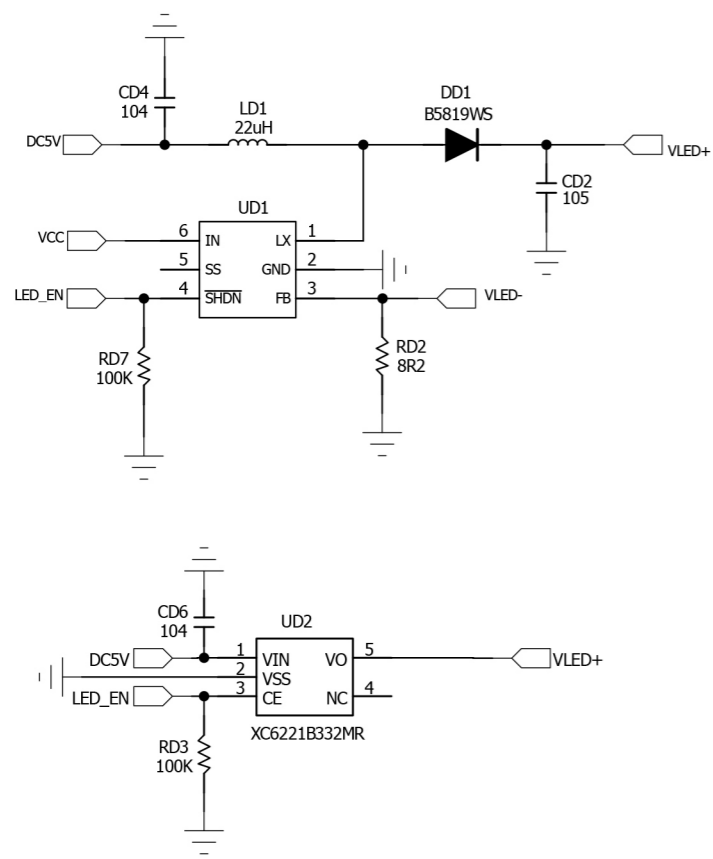


USB & charger Module

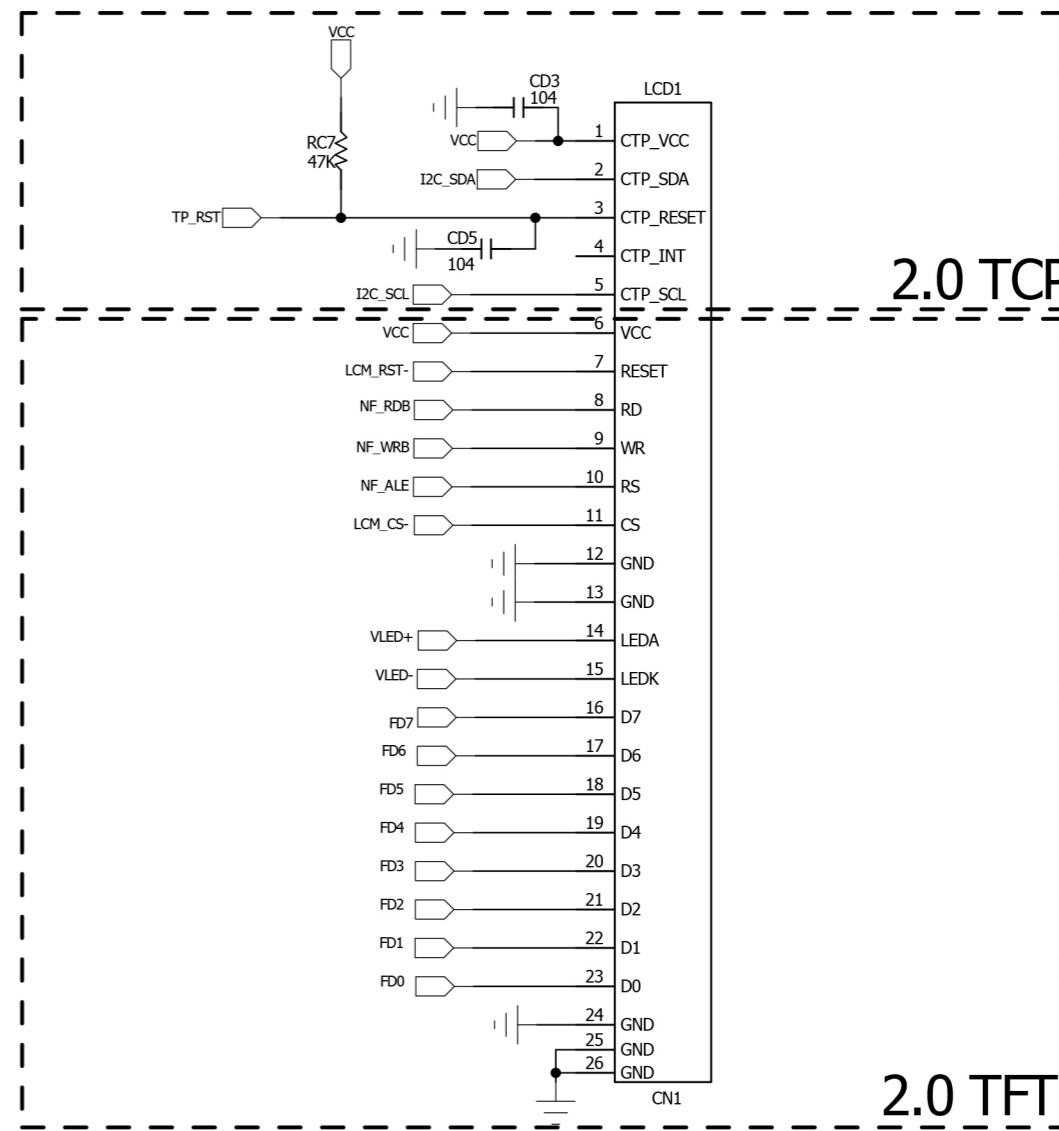
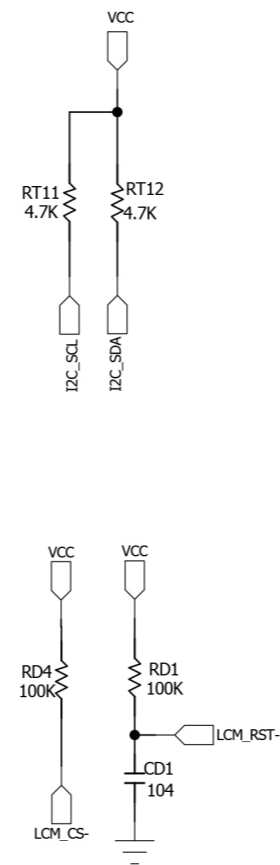


Remark: B1+ and B2+ is for TWS Headphone of battery

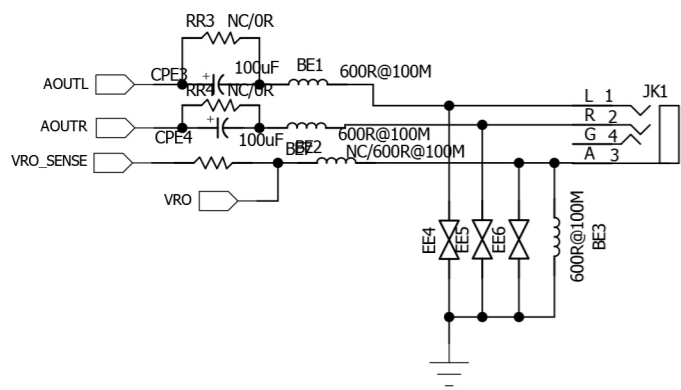
# BACKLIGHT



# LCD & TCP connector



# ANALOG MODULE



# MIC

