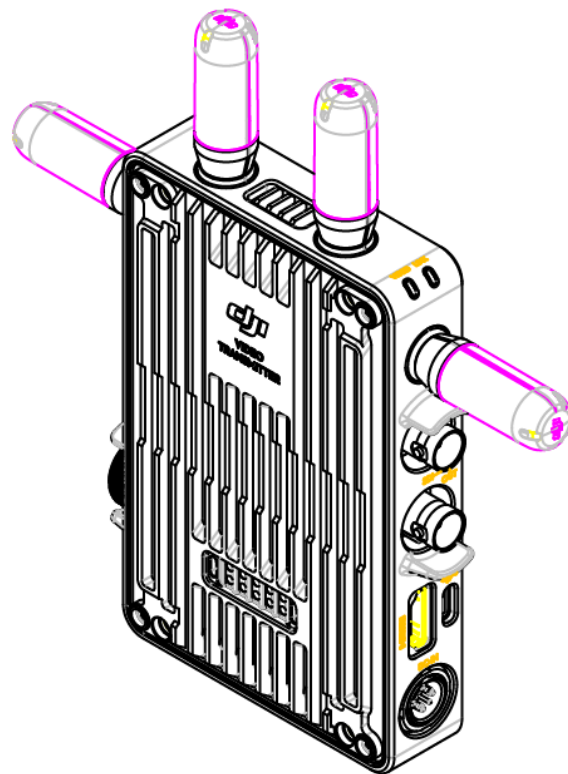


# DJI Video Transmitter

User Guide

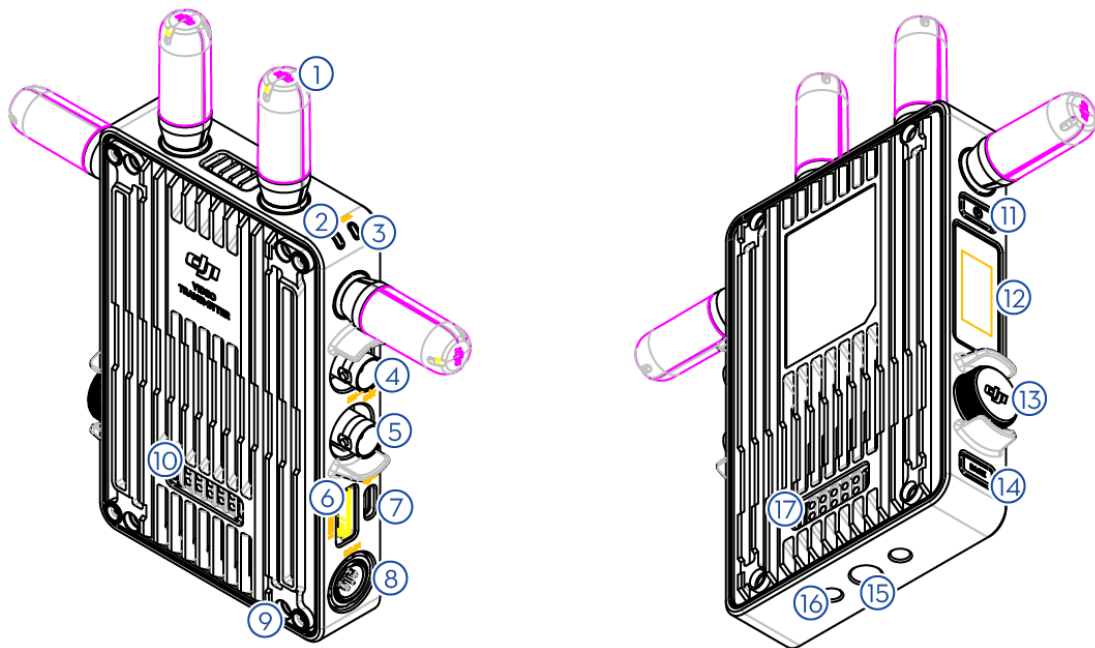


# Introduction

DJI™ Video Transmitter features DJI O3 Pro technology that provides video transmission with a maximum transmission range of 6 km, bit rate of up to 50 Mbps, and minimum end-to-end latency within 100 ms. DJI Video Transmitter works at 2.4 GHz, 5.8 GHz and DFS, and is capable of selecting the best transmission channel automatically. It supports AES 256-bit encryption algorithm, and can output 1080p/60fps full HD images to multiple high-bright remote monitors at the same time.

DJI Video Transmitter provides various power supply ports, which support DJI WB37 batteries, and can take power from Ronin devices through the DC-IN port. It provides various video input and output ports such as HDMI-IN and SDI-IN, to fit most of the cameras on the market. It also supports SDI loop-out function, which can be used with an external monitor.

DJI Video Transmitter is also equipped with a 1-inch OLED color screen, which can be set through interactive buttons; built-in fan and precision metal design of the shell allows the transmitter to be used normally in various harsh scenes, meeting the shooting needs of various requirements such as radio and television, film, commercials, documentaries and so on.



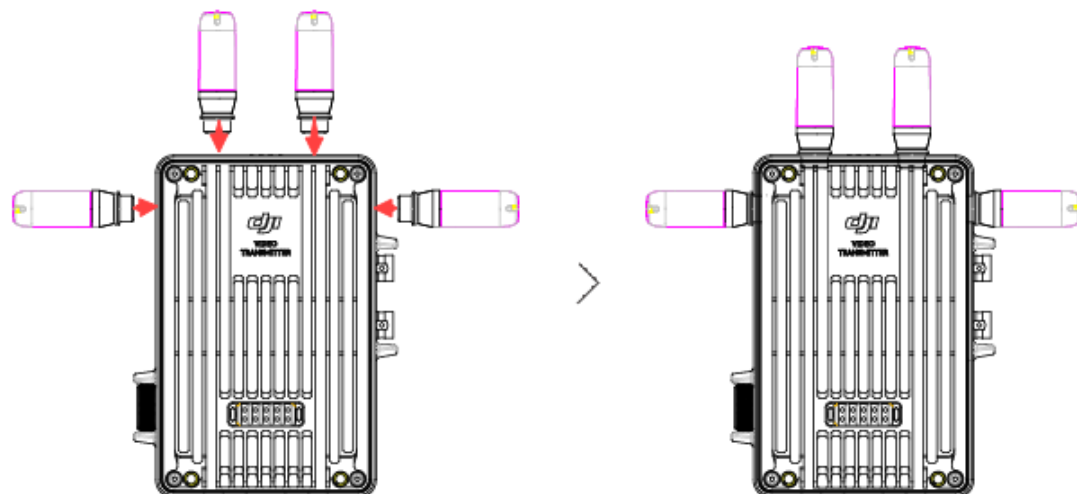
1. Antennas  
Transmit the wireless signal.
2. Video Status LED  
Indicates whether there is a video source signal input.
3. Linking Status LED  
Indicates the linking status of the transmitter and receiving unit.
4. SDI Input Port  
Video source sends signal to the transmitter unit.
5. SDI Output Port  
The transmitter loops out the video source signal.

6. HDMI Port (Type A)  
Used to receive the video source input signal.
7. Power/Communication Port (USB-C)  
Used for activation, firmware update, and power supply and communication with specific equipment.
8. DC IN Power Input Port  
Supply power to the video transmitter by the provided power cable.
9. M4 Port  
Used to install back plate for battery and various adapters for expansion.
10. External Power Supply Port  
Supply power to other external devices.
11. Power Button  
Press once to power on. Press and hold to power off.
12. Display Screen  
Display the device menu.
13. Menu Dial  
You can select and confirm on the screen menu by turning or pressing the dial.
14. Back Button  
Press to return to the previous menu.
15. 3/8"-16 Screw Hole
16. 1/4"-20 Screw Hole
17. External Power Input Port  
Install batteries by different back plate of battery, to supply power to the video transmitter.

## Installation and Connection

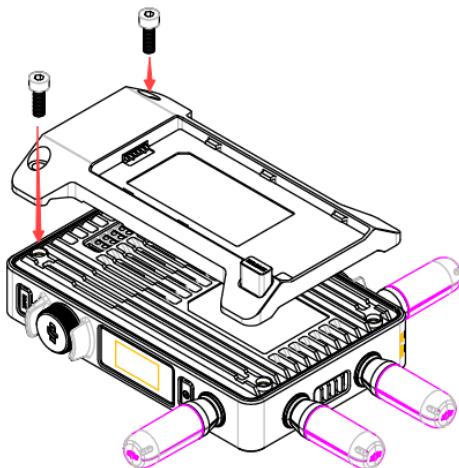
### Installing Antennas

Install the four antennas on the video transmitter.

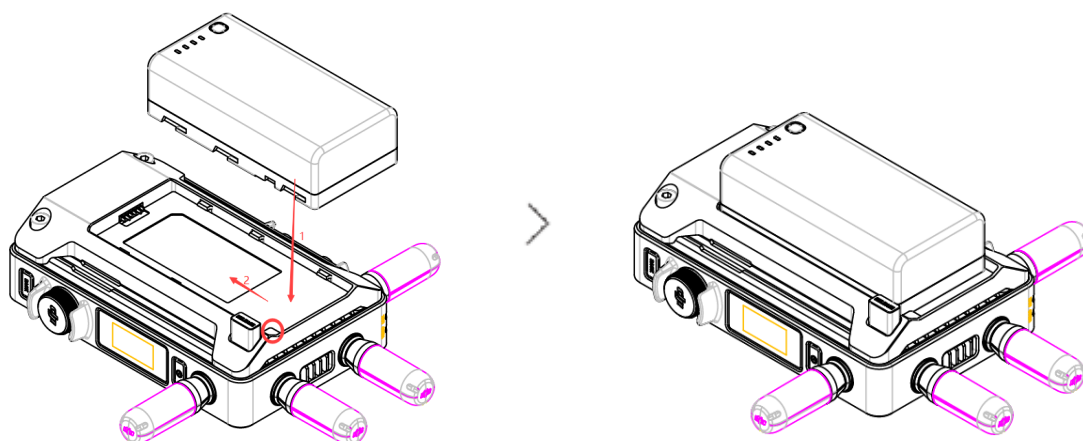


## Installing WB37 Battery

1. Install the back plate which is compatible WB37 battery to the back of the video transmitter and tighten two M4×12 screws.



2. Put the WB37 battery into the battery slot, press down the battery and push it to the bottom until the RELEASE button pops up. A clicking sound indicates the battery is properly secured.

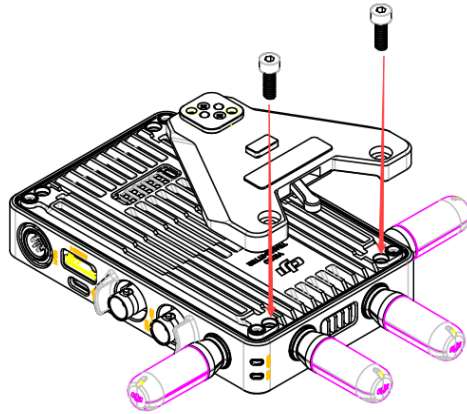


Press and hold the RELEASE button, and push the battery in the opposite direction of installation to remove the battery.

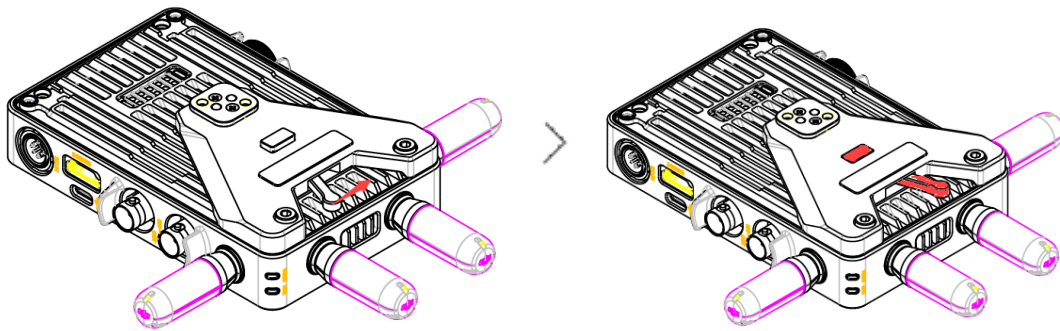
## Installing Adapter

When used with DJI RS 2 gimbal or other equipment that is compatible with cold shoe interface, an adapter is required to be installed.

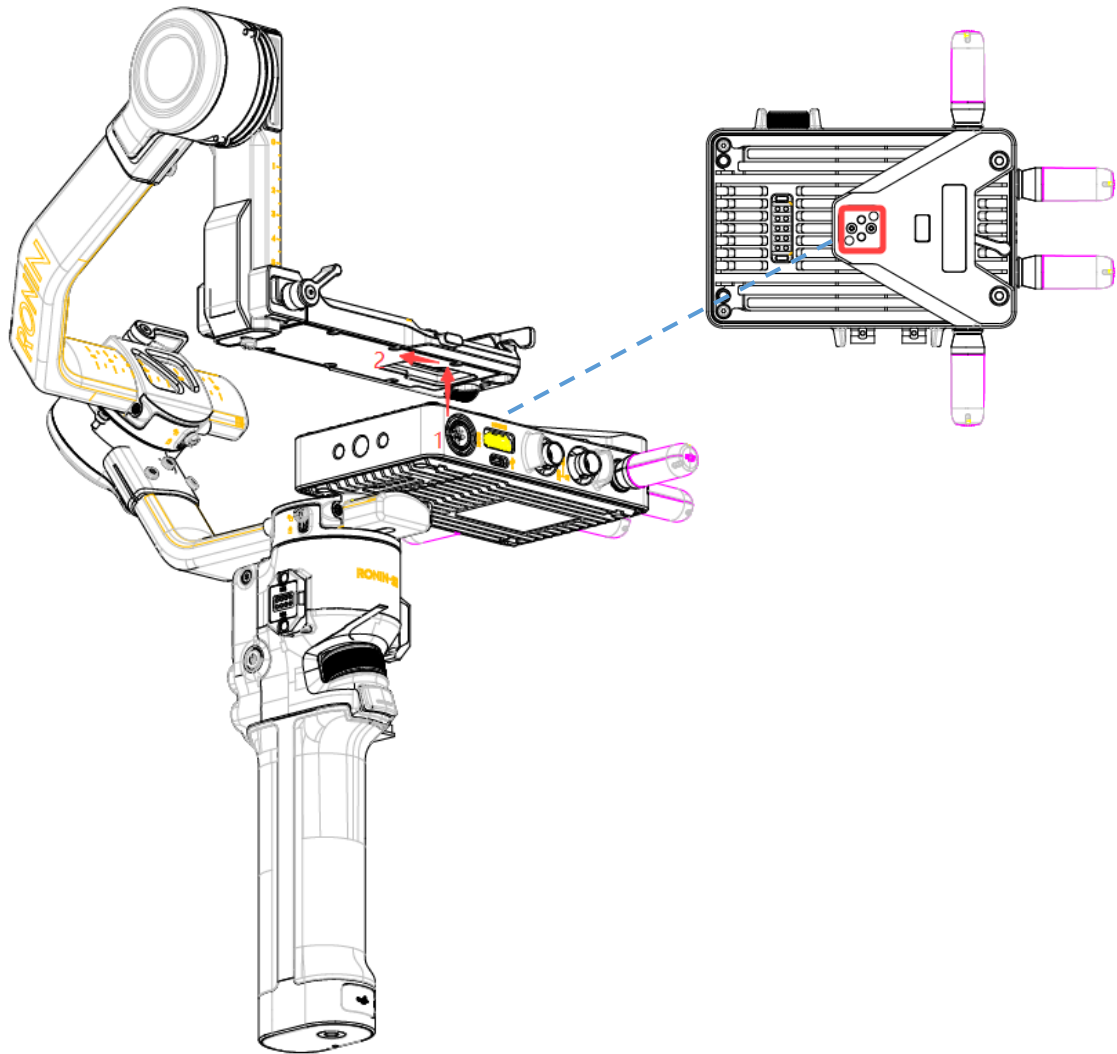
1. Install the adapter to the front of the video transmitter and tighten two M4×12 screws.



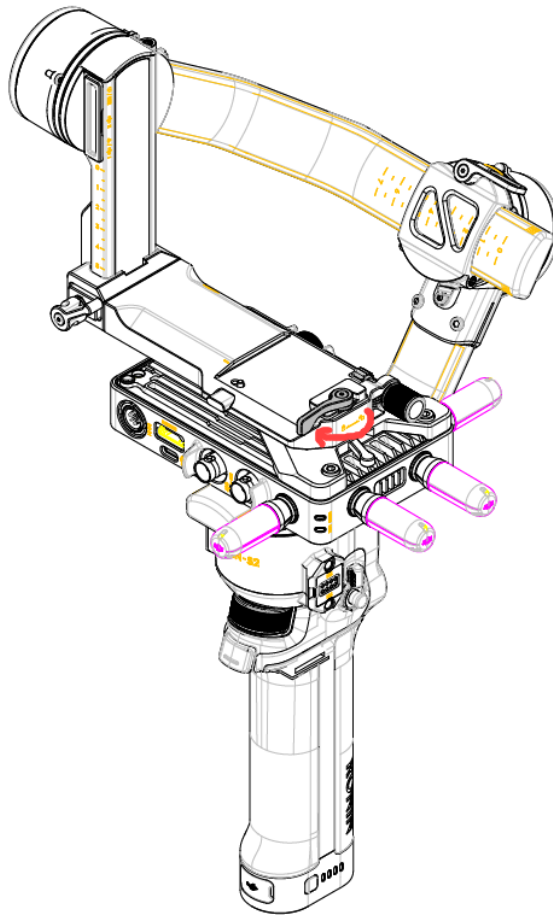
2. Move the lever counterclockwise to lower the positioning block on the adapter.



3. Install the video transmitter to the DJI RS 2 gimbal through the cold shoe of the adapter.



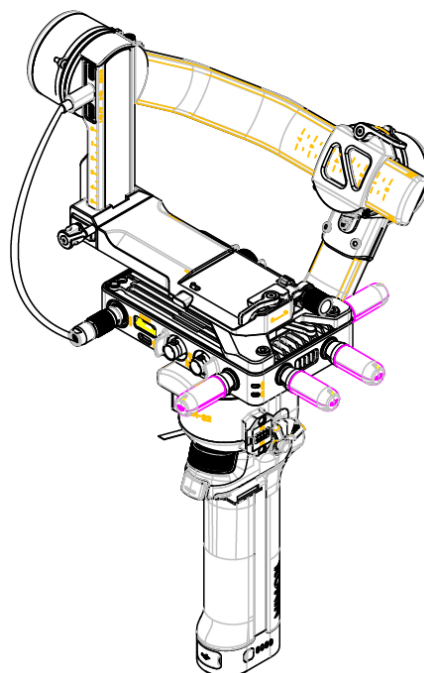
4. Rotate the lever in the locking direction to finish installation.



## Connection

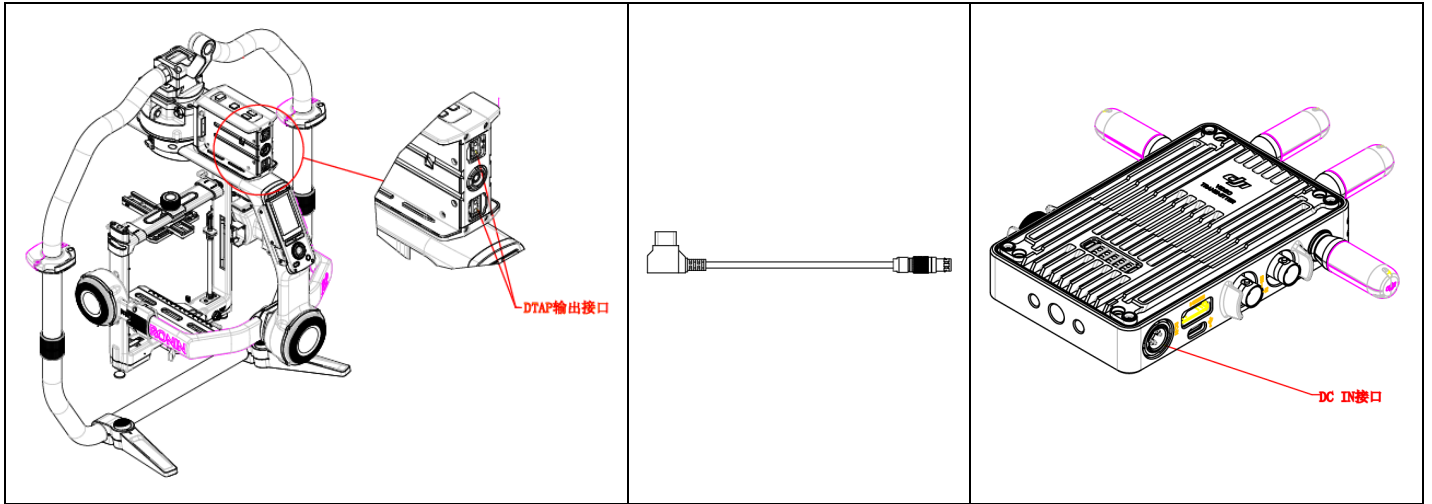
### USB-C to Lemo Cable

Connect the focus motor port (USB-C) of the DJI RS 2 to the DC IN port of the video transmitter, the DJI RS 2 can supply power to the video transmitter.



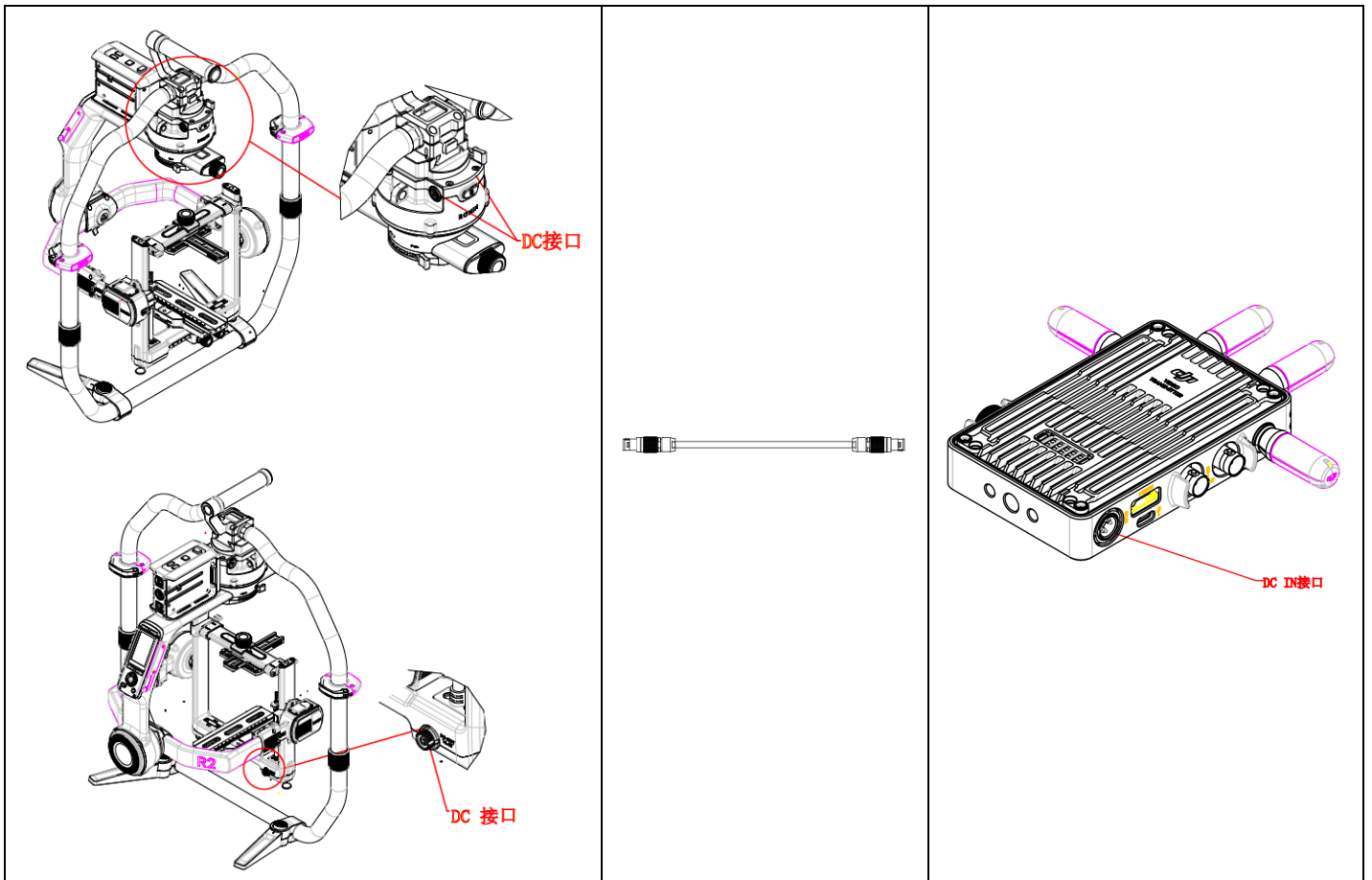
### P-Tap to Lemo Cable

Connect the 14.4V P-Tap port of Ronin 2 to the DC IN port of the video transmitter, the Ronin 2 can supply power to the video transmitter.



### Lemo to Lemo Cable

Connect the 14.4V accessory power port of Ronin 2 to the DC IN port of the video transmitter, the Ronin 2 can supply power to the video transmitter and communicate with it.





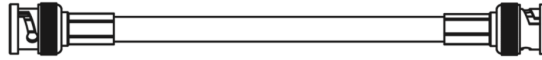
## USB-C Cable

Connect the USB-C port of the video transmitter to a computer, which can be used for activation, firmware update and other functions.



## SDI Cable

Used to transmit SDI signal.



# Activation

When powered on, connect the video transmitter to a computer and run DJI Assistant 2 (Ronin Series) for activation.

Download DJI Assistant 2 (Ronin Series) at <https://www.dji.com/xxx/downloads>

# Linking

To start linking, press and hold the menu dial on the video transmitter. The Linking Status LED blinks red.

When the linking is complete, the linking status LED turns solid green and the video transmitter can communicate with the high-bright remote monitor.

Video Status LED	Description
Solid Green	Video input available
Solid Red	No video input

Linking Status LED	Description
Solid Red	Device powered on, but not linked
Blinks Red	Linking
Solid Green	Linking successful. Wireless video transmission normal

# Firmware Update

Use DJI Assistant 2 (Ronin Series) to update the firmware of the video transmitter.

1. Power on the device and connect to the USB 3.0 port of a computer using a USB-C cable.
2. Launch DJI Assistant 2 (Ronin Series) and log in with a DJI account.
3. Select the device and click Firmware Update on the left side of the screen.

4. Select the firmware version.
5. The firmware will be downloaded and updated automatically.
6. The device will restart automatically after the firmware update is complete.

## Specifications

Weight	Approx. 350 g
Dimensions (antennas excluded)	126.75×97.30×26 mm
Operating Frequency	2.400-2.4835 GHz 5.150-5.250 GHz 5.250-5.350 GHz 5.470-5.725 GHz 5.725-5.850 GHz
Transmitter Power (EIRP)	2.4GHz: <33 dBm (FCC), <20 dBm (SRRC/CE/MIC) 5.8GHz: <33 dBm (FCC/SRRC), <14 dBm (CE) 5.1GHz: <23 dBm (FCC/SRRC/CE/MIC) 5.2GHz: <30 dBm (FCC), <23 dBm (SRRC/CE/MIC) 5.5GHz: <30 dBm (FCC), <23 dBm (CE/MIC)
Power	11 W
Input Voltage	External Power Input Port: 6-18 V DC-IN Power Input Port: 6-18 V
Output Voltage	External Power Supply Port: 6-18 V
Input Audio Format	SDI embedded, HDMI embedded
Max Bitrate	50Mbps
Operating Temperature	-10° to 45° C (14° to 113° F)
Antenna Gain	Existing Antenna:2.5dBi@2.4GHz/2.0dBi@5.1GHz/2.5dBi@5.2GHz 2.5dBi@5.5GHz/3.0dBi@5.8GHz Alternative Antenna:3.5dBi@2.4GHz/4.5dBi@5.1GHz/4.5dBi@5.2GHz 4.5dBi@5.5GHz/6.0dBi@5.8GHz
Antenna Type	External Dipole Antenna

### FCC Compliance Notice

Supplier's Declaration of Conformity

Product name: DJI Video Transmitter

Model Number: TX3

Responsible Party: DJI Technology, Inc.

Responsible Party Address: 201 S. Victory Blvd., Burbank, CA 91502

Website: [www.dji.com](http://www.dji.com)

We, DJI Technology, Inc., being the responsible party, declares that the above mentioned model was tested to demonstrate complying with all applicable FCC rules and regulations.

This device complies with Part 15 of the FCC Rules. Operation is subject to the following two conditions: (1) This device may not cause harmful interference, and (2) This device must accept any interference received, including interference that may cause undesired operation.

Any changes or modifications not expressly approved by the party responsible for compliance could void the user's authority to operate the equipment.

This equipment has been tested and found to comply with the limits for a Class B digital device, pursuant to part 15 of the FCC Rules. These limits are designed to provide reasonable protection against harmful interference in a residential installation. This equipment generates, uses and can radiate radio frequency energy and, if not installed and used in accordance with the instructions, may cause harmful interference to radio communications. However, there is no guarantee that interference will not occur in a particular installation. If this equipment does cause harmful interference to radio or television reception, which can be determined by turning the equipment off and on, the user is encouraged to try to correct the interference by one or more of the following measures:

- Reorient or relocate the receiving antenna.
- Increase the separation between the equipment and receiver.
- Connect the equipment into an outlet on a circuit different from that to which the receiver is connected.
- Consult the dealer or an experienced radio/TV technician for help.

### **RF Exposure Information**

This equipment complies with FCC radiation exposure limits set forth for an uncontrolled environment. End user must follow the specific operating instructions for satisfying RF exposure compliance. This transmitter must not be co-located or operating in conjunction with any other antenna or transmitter.

The portable device is designed to meet the requirements for exposure to radio waves established by the Federal Communications Commission (USA). These requirements set a SAR limit of 1.6 W/kg averaged over one gram of tissue. The highest SAR value reported under this standard during product certification for use when properly worn on the body.

### **ISED Compliance Notice**

This device contains licence-exempt transmitter(s)/receiver(s) that comply with Innovation, Science and Economic Development Canada's licence-exempt RSS(s). Operation is subject to the following two conditions: (1) This device may not cause interference. (2) This device must accept any interference, including interference that may cause undesired operation of the device.

L'émetteur/récepteur exempt de licence contenu dans le présent appareil est conforme aux CNR d'Innovation, Sciences et Développement économique Canada applicables aux appareils radio exempts de licence. L'exploitation est autorisée aux deux conditions suivantes : (1) L'appareil ne doit pas produire de brouillage; (2) L'appareil doit accepter tout brouillage radioélectrique subi, même si le brouillage est susceptible d'en compromettre le fonctionnement.

This equipment complies with RSS-102 radiation exposure limits set forth for an uncontrolled environment. End user must follow the specific operating instructions for satisfying RF exposure compliance. This transmitter must not be co-located or operating in conjunction with any other antenna or transmitter. The portable device is designed to meet the requirements for exposure to radio waves established by the CNR-102.

Cet équipement est conforme aux limites d'exposition aux rayonnements RSS-102 établies pour un environnement non contrôlé. L'utilisateur final doit suivre les instructions spécifiques pour satisfaire les normes. Cet émetteur ne doit pas être co-implanté ou fonctionner en conjonction avec toute autre antenne ou transmetteur. Le dispositif portatif est conçu pour répondre aux exigences d'exposition aux ondes radio établie par le développement énergétique DURABLE.

These requirements set a SAR limit of 1.6 W/kg averaged over one gram of tissue. The highest SAR value reported under this standard during product certification for use when properly worn on the body.

Ces exigences un SAR limite de 1,6 W/kg en moyenne pour un gramme de tissu. La valeur SAR la plus élevée signalée en vertu de cette norme lors de la certification de produit à utiliser lorsqu'il est correctement porté sur le corps.

No operation is permitted for the frequency "5600-5650MHz"

Aucune opération n'est autorisée pour la fréquence « 5600-5650MHz »

For devices with detachable antenna(s), the maximum antenna gain permitted for devices in the bands 5150-5350 MHz and 5470-5725 MHz, 5725-5850 MHz shall be such that the equipment still complies with the e.i.r.p. limit as appropriate.

Le gain maximal d'antenne permis (pour les dispositifs utilisant la bande 5150-5350 MHz et 5470-5725 MHz, 5725-5825 MHz) doit se conformer à la limite de p.i.r.e. spécifiée pour l'exploitation point à point et non point à point, selon le cas.

部件名称	有害物质					
	铅 (Pb)	汞 (Hg)	镉 (Cd)	六价铬 (Cr <sup>+6</sup> )	多溴联苯 (PBB)	多溴二苯醚 (PBDE)
线路板	×	○	○	○	○	○
外壳	×	○	○	○	○	○
液晶屏	×	○	○	○	○	○
金属部件 (铜合金)	×	○	○	○	○	○
内部线材	×	○	○	○	○	○
其他配件	×	○	○	○	○	○

本表格依据SJ/T 11364 的规定编制。

○：表示该有害物质在该部件所有均质材料中的含量均在GB/T 26572 规定的限量要求以下。  
×：表示该有害物质至少在该部件的某一均质材料中的含量超出GB/T 26572 规定的限量要求。  
(产品符合欧盟ROHS指令环保要求)



### KCC Compliance Notice

“해당무선설비는 운용 중 전파혼신 가능성이 있으므로 인명안전과 관련된 서비스는 할 수 없습니다.”

“해당 무선설비는 운용 중 전파혼신 가능성이 있음”

### NCC Compliance Notice

取得審驗證明之低功率射頻器材，非經核准，公司、商號或使用者均不得擅自變更頻率、加大功率或變更原設計之特性及功能。低功率射頻器材之使用不得影響飛航安全及干擾合法通信；經發現有干擾現象時，應立即停用，並改善至無干擾時方得繼續使用。前述合法通信，指依電信管理法規定作業之無線電通信。低功率射頻器材須忍受合法通信或工業、科學及醫療用電波輻射性電機設備之干擾。

應避免影響附近雷達系統之操作。

高增益指向性天線只得應用於固定式點對點系統。



**EU Compliance Statement:** SZ DJI Osmo Technology Co., Ltd. hereby declares that this device (DJI Video Transmitter) is in compliance with the essential requirements and other relevant provisions of the Directive 2014/53/EU.

A copy of the EU Declaration of Conformity is available online at [www.dji.com/euro-compliance](http://www.dji.com/euro-compliance)

EU contact address: DJI GmbH, Industriestrasse 12, 97618, Niederlauer, Germany

**GB Compliance Statement:** SZ DJI OSMO TECHNOLOGY CO., LTD. hereby declares that this device (DJI Video Transmitter) is in compliance with the essential requirements and other relevant provisions of Radio Equipment Regulations 2017.

A copy of the GB Declaration of Conformity is available online at [www.dji.com/euro-compliance](http://www.dji.com/euro-compliance)

**Declaración de cumplimiento UE:** SZ DJI OSMO TECHNOLOGY CO., LTD. por la presente declara que este dispositivo (DJI Video Transmitter) cumple los requisitos básicos y el resto de provisiones relevantes de la Directiva 2014/53/EU.

Hay disponible online una copia de la Declaración de conformidad UE en [www.dji.com/euro-compliance](http://www.dji.com/euro-compliance)

compliance

Dirección de contacto de la UE: DJI GmbH, Industriestrasse 12, 97618, Niederlauer, Germany

**EU-verklaring van overeenstemming:** SZ DJI OSMO TECHNOLOGY CO., LTD. verklaart hierbij dat dit apparaat (DJI Video Transmitter) voldoet aan de essentiële vereisten en andere relevante bepalingen van Richtlijn 2014/53/EU.

De EU-verklaring van overeenstemming is online beschikbaar op [www.dji.com/euro-compliance](http://www.dji.com/euro-compliance)

Contactadres EU: DJI GmbH, Industriestrasse 12, 97618, Niederlauer, Germany

**Declaração de conformidade da UE:** A SZ DJI OSMO TECHNOLOGY CO., LTD. declara, através deste documento, que este dispositivo (DJI Video Transmitter) está em conformidade com os requisitos essenciais e outras disposições relevantes da Diretiva 2014/53/EU.

Existe uma cópia da Declaração de conformidade da UE disponível online em [www.dji.com/euro-compliance](http://www.dji.com/euro-compliance)

Endereço de contacto na UE: DJI GmbH, Industriestrasse 12, 97618, Niederlauer, Germany

**Dichiarazione di conformità UE:** SZ DJI OSMO TECHNOLOGY CO., LTD. dichiara che il presente dispositivo (DJI Video Transmitter) è conforme ai requisiti essenziali e alle altre disposizioni rilevanti della direttiva 2014/53/EU.

Una copia della dichiarazione di conformità UE è disponibile online all'indirizzo Web [www.dji.com/euro-compliance](http://www.dji.com/euro-compliance)

Indirizzo di contatto UE: DJI GmbH, Industriestrasse 12, 97618, Niederlauer, Germany

**Déclaration de conformité UE :** Par la présente, SZ DJI TECHNOLOGY CO., LTD déclare que cet appareil (DJI Video Transmitter) est conforme aux principales exigences et autres clauses pertinentes de la directive européenne 2014/53/EU.

Une copie de la déclaration de conformité UE est disponible sur le site [www.dji.com/euro-compliance](http://www.dji.com/euro-compliance)

Adresse de contact pour l'UE : DJI GmbH, Industriestrasse 12, 97618, Niederlauer, Germany

#### PRÉCAUTIONS D'USAGE DE L'APPAREIL

N'utilisez pas l'appareil dans un hôpital, un avion ou un équipement automobile en raison des radiofréquences qui peuvent produire des interférences

•Maintenez une distance minimale de 15 cm entre votre appareil et un stimulateur cardiaque pour éviter toute interférence

Eloigner les équipements radioélectriques du ventre des femmes enceintes.

Eloigner les équipements radioélectriques du bas-ventre des adolescents.

Le débit d'absorption spécifique (DAS) local quantifie l'exposition de l'utilisateur aux ondes électromagnétiques de l'équipement concerné. Le DAS maximal autorisé est de 2 W/ kg pour la tête et le tronc et de 4 W/ kg pour les membres.

La ou les valeurs du débit d'absorption spécifique des XXXX (型号) :

DAS tronc: XXXX W/ kg

DAS membres: XXXX W/ kg

**EU-Compliance:** Hiermit erklärt SZ DJI OSMO TECHNOLOGY CO., LTD., dass dieses Gerät (DJI Video Transmitter) den wesentlichen Anforderungen und anderen einschlägigen Bestimmungen der EU-Richtlinie 2014/53/EU entspricht.

Eine Kopie der EU-Konformitätserklärung finden Sie online auf [www.dji.com/euro-compliance](http://www.dji.com/euro-compliance)

Kontaktadresse innerhalb der EU: DJI GmbH, Industriestrasse 12, 97618, Niederlauer, Germany

**Декларация за съответствие на ЕС:** *SZ DJI OSMO TECHNOLOGY CO., LTD.* декларира, че това устройство(DJI Video Transmitter) отговаря на основните изисквания и другите приложими разпоредби на Директива 2014/53/ЕС.

Копие от Декларацията за съответствие на ЕС ще намерите онлайн на адрес [www.dji.com/euro-compliance](http://www.dji.com/euro-compliance)

Адрес за контакт за ЕС: DJI GmbH, Industriestrasse 12, 97618, Niederlauer, Германия

**Prohlášení o shodě pro EU:** Společnost *SZ DJI OSMO TECHNOLOGY CO., LTD.* tímto prohlašuje, že tohle zařízení(DJI Video Transmitter) vyhovuje základním požadavkům a dalším příslušným ustanovením směrnice 2014/53/EU.

Kopie prohlášení o shodě pro EU je k dispozici on-line na webu [www.dji.com/euro-compliance](http://www.dji.com/euro-compliance)

Kontaktní adresa v EU: DJI GmbH, Industriestrasse 12, 97618, Niederlauer, Německo

**EU-overensstemmelseserklæring:** *SZ DJI OSMO TECHNOLOGY CO., LTD.* erklærer hermed, at denne enhed (DJI Video Transmitter) er i overensstemmelse med de væsentlige krav og andre relevante bestemmelser i direktiv 2014/53/EU.

Der er en kopi af EU-overensstemmelseserklæringen tilgængelig online på [www.dji.com/euro-compliance](http://www.dji.com/euro-compliance)

EU-kontaktadresse: DJI GmbH, Industriestrasse 12, 97618, Niederlauer, Tyskland

**Δήλωση Συμμόρφωσης EE:** Η *SZ DJI OSMO TECHNOLOGY CO., LTD.* δια του παρόντος δηλώνει ότι η συσκευή (DJI Video Transmitter) αυτή συμμορφώνεται με τις βασικές απαιτήσεις και άλλες σχετικές διατάξεις της Οδηγίας 2014/53/ΕΕ.

Αντίγραφο της Δήλωσης Συμμόρφωσης EE διατίθεται ηλεκτρονικά στη διεύθυνση [www.dji.com/euro-compliance](http://www.dji.com/euro-compliance)

Διεύθυνση επικοινωνίας στην ΕΕ: DJI GmbH, Industriestrasse 12, 97618, Niederlauer, Γερμανία

**ELi vastavuskinnitus** Käesolevaga teatab *SZ DJI OSMO TECHNOLOGY CO., LTD.*, et see seade (DJI Video Transmitter) on kooskõlas direktiivi 2014/53/EL oluliste nõuete ja muude asjakohaste sätetega.

ELi vastavusdeklaratsiooni koopia on kättesaadav veebis aadressil [www.dji.com/euro-compliance](http://www.dji.com/euro-compliance)

Kontaktaadress ELis: DJI GmbH, Industriestrasse 12, 97618, Niederlauer, Saksamaa

**Pranešimas dėl atitikties ES reikalavimams** Bendrovė „*SZ DJI OSMO TECHNOLOGY CO., LTD.*“ tvirtina, kad šis prietaisas (DJI Video Transmitter) atitinka pagrindinius 2014/53/ES direktyvos reikalavimus ir kitas susijusias nuostatas.

ES atitikties deklaracijos kopiją galite rasti adresu [www.dji.com/euro-compliance](http://www.dji.com/euro-compliance)

ES kontaktinis adresas: „DJI GmbH“, Industriestrasse 12, 97618, Niederlauer, Germany (Vokietija)

**ES atbilstības paziņojums:** *SZ DJI OSMO TECHNOLOGY CO., LTD.* ar šo apliecina, ka šis ierīce (DJI Video Transmitter) atbilst direktīvas 2014/53/ES pamatprasībām un pārējiem būtiskiem nosacījumiem.

ES atbilstības deklarācijas kopija pieejama tiešsaistē vietnē [www.dji.com/euro-compliance](http://www.dji.com/euro-compliance)

ES kontaktadrese: DJI GmbH, Industriestrasse 12, 97618, Niederlauer, Vācija

**EU:n vaatimustenmukaisuusvakuutus:** *SZ DJI OSMO TECHNOLOGY CO., LTD.* ilmoittaa täten, että tämä laite (DJI Video Transmitter) on direktiivin 2014/53/EU olennaisten vaatimusten ja sen muiden asiaankuuluvien ehtojen mukainen.

Kopio EU:n vaatimustenmukaisuusvakuutuksesta on saatavana verkossa osoitteessa [www.dji.com/euro-compliance](http://www.dji.com/euro-compliance)

Yhteystiedot EU:ssa: DJI GmbH, Industriestrasse 12, 97618, Niederlauer, Germany

**RÁITEAS Comhlíonta an AE:** Dearbhaíonn *SZ DJI OSMO TECHNOLOGY CO., LTD.* leis seo go bhfuil an gléas seo (DJI Video Transmitter) de réir na gceanglas riachtanach agus na bhforálacha ábhartha eile sa Treoir 2014/53/AE.

Tá coip de Dhearbhú Comhréireachta an AE ar fáil ar líne ag [www.dji.com/euro-compliance](http://www.dji.com/euro-compliance)

Seoladh teagmhála san AE: DJI GmbH, Industriestrasse 12, 97618, Niederlauer, Germany

**Dikjarazzjoni ta' Konformità tal-UE:** *SZ DJI OSMO TECHNOLOGY CO., LTD.* hawnhekk tiddikjara li dan l-apparat (DJI Video Transmitter) huwa konformi mar-rekwiżiti essenzjali u ma' dispożizzjonijiet relevanti oħra tad-Direttiva 2014/53/UE.

Kopja tad-Dikjarazzjoni ta' Konformità tal-UE hija disponibbli onlajn fis-sit [www.dji.com/euro-compliance](http://www.dji.com/euro-compliance)

Indirizz ta' kuntatt tal-UE: DJI GmbH, Industriestrasse 12, 97618, Niederlauer, il-Ġermanja

**Declarația UE de conformitate:** Prin prezenta, *SZ DJI OSMO TECHNOLOGY CO., LTD.* declară faptul că acest dispozitiv (DJI Video Transmitter) este conform cu cerințele esențiale și celelalte prevederi relevante ale Directivei 2014/53/UE.

Un exemplar al Declarației UE de conformitate este disponibil online, la adresa [www.dji.com/euro-compliance](http://www.dji.com/euro-compliance)

Adresa de contact pentru UE: DJI GmbH, Industriestrasse 12, 97618, Niederlauer, Germania

**Izjava EU o skladnosti:** Družba *SZ DJI OSMO TECHNOLOGY CO., LTD.* izjavlja, da ta naprava (DJI Video Transmitter) ustreza osnovnim zahtevam in drugim ustreznim določbam Direktive 2014/53/EU.



Kopija izjave EU o skladnosti je na voljo na spletu na [www.dji.com/euro-compliance](http://www.dji.com/euro-compliance)  
Kontaktni naslov EU: DJI GmbH, Industriestrasse 12, 97618, Niederlauer, Nemija

**EU Izjava o skladnosti:** Tvrtnka *SZ DJI OSMO TECHNOLOGY CO., LTD.* izjavlja, da je ovaj urejaj (DJI Video Transmitter) izrajen u skladu s osnovnim zahtjevima i ostalim relevantnim odredbama Direktive 2014/53/EU.

Kopija EU Izjave o skladnosti dostupna je na mrežnoj stranici [www.dji.com/euro-compliance](http://www.dji.com/euro-compliance)  
Adresa EU kontakta: DJI GmbH, Industriestrasse 12 97618, Niederlauer, Njemačka

**Vyhlasenie o zhode EÚ:** *SZ DJI OSMO TECHNOLOGY CO., LTD.* týmto vyhlasuje, že toto zariadenie (DJI Video Transmitter) je v zhode so základnými požiadavkami a ďalšími relevantnými ustanoveniami smernice 2014/53/EÚ.

Kópia tohto Vyhlásenia o zhode EÚ je k dispozícii online na [www.dji.com/euro-compliance](http://www.dji.com/euro-compliance)  
Kontaktná adresa v EÚ: DJI GmbH, Industriestrasse 12, 97618, Niederlauer, Nemecko

**Deklaracja zgodności UE:** Firma *SZ DJI OSMO TECHNOLOGY CO., LTD.* niniejszym owiadcza, że przedmiotowe urządzenie (DJI Video Transmitter) jest zgodne z zasadniczymi wymogami i innymi stosownymi postanowieniami dyrektywy 2014/53/UE.

Kopie deklaracji zgodności UE można znaleźć w Internecie na stronie [www.dji.com/euro-compliance](http://www.dji.com/euro-compliance)

Adres do kontaktu w UE: DJI GmbH, Industriestrasse 12, 97618, Niederlauer, Niemcy

**EU megfelelési nyilatkozat:** A *SZ DJI OSMO TECHNOLOGY CO., LTD.* ezúton megerősíti, hogy ez az eszköz (DJI Video Transmitter) megfelel a 2014/53/EU Irányelv alapvető követelményeinek és más vonatkozó rendelkezéseinek.

Az EU megfelelési nyilatkozat másolata elérhető a [www.dji.com/euro-compliance](http://www.dji.com/euro-compliance) oldalon

EU kapcsolati cím: DJI GmbH, Industriestrasse 12, 97618, Niederlauer, Németország

**EU-försäkran om efterlevnad:** *SZ DJI OSMO TECHNOLOGY CO., LTD.* härmed förklarar att denna enhet (DJI Video Transmitter) uppfyller de väsentliga kraven och andra relevanta bestämmelser i direktivet 2014/53/EU.

En kopia av EU-försäkran om efterlevnad finns att tillgå online på adressen [www.dji.com/euro-compliance](http://www.dji.com/euro-compliance)

Kontaktadress EU: DJI GmbH, Industriestrasse 12, 97618, Niederlauer, Tyskland

**Yfirlýsing um fylgni við reglur ESB:** *SZ DJI OSMO TECHNOLOGY CO., LTD.* lýsir hér með yfir að þetta tæki (DJI Video Transmitter) hlíti mikilvægum kröfum og öðrum viðeigandi ákvæðum tilskipunar 2014/53/ESB.

Nálgast má eintak af ESB-samræmisyfirlýsingunni á netinu á [www.dji.com/euro-compliance](http://www.dji.com/euro-compliance)  
Heimilisfang ESB-tengiliðar: DJI GmbH, Industriestrasse 12, 97618, Niederlauer, Germany

**AB Uygunluk Beyanı:** *SZ DJI OSMO TECHNOLOGY CO., LTD.* bu belge ile bu cihazın (DJI Video Transmitter) temel gerekliliklere ve 2014/53/EU sayılı Direktifin diğer ilgili hükümlerine

uygun olduđunu be yan eder.

AB Uygunluk Beyanının bir kopyasına [www.dji.com/euro-compliance](http://www.dji.com/euro-compliance) adresinden çevrim içi olarak ulaşılabilir

AB için iletişim adresi: DJI GmbH, Industriestrasse 12, 97618, Niederlauer, Almanya

### **Environmentally friendly disposal**



Old electrical appliances must not be disposed of together with the residual waste, but have to be disposed of separately. The disposal at the communal collecting point via private persons is for free. The owner of old appliances is responsible to bring the appliances to these collecting points or to similar collection points. With this little personal effort, you contribute to recycle valuable raw materials and the treatment of toxic substances.

### **Umweltfreundliche Entsorgung**

Dies ist das Symbol für die getrennte Sammlung von Elektro- und Elektronikgeräten. Elektroaltgeräte dürfen nicht zusammen mit dem Restmüll entsorgt werden (einschließlich Batterien, Akkus und Lampen), sondern müssen separat entsorgt werden. Die Entsorgung an der kommunalen Sammelstelle durch Privatpersonen oder an den von Händlern oder Herstellern eingerichteten Sammelstellen ist kostenlos. Der Besitzer von Altgeräten ist dafür verantwortlich, die persönlichen oder vertraulichen Daten auf den zu entsorgenden Altgeräten zu löschen und die Geräte zu diesen oder ähnlichen Sammelstellen zu bringen. Die Händler sind verpflichtet, Elektroaltgeräte für dich kostenlos zurückzunehmen. Durch diesen geringen Aufwand kannst du zur Wiederverwertung von wertvollen Rohmaterialien beitragen und dafür sorgen, dass umweltschädliche und giftige Substanzen ordnungsgemäß unschädlich gemacht werden.

### **Tratamiento de residuos responsable con el medio ambiente**

Los aparatos eléctricos viejos no pueden desecharse junto con los residuos orgánicos, sino que deben ser desechados por separado. Existen puntos limpios donde los ciudadanos pueden dejar estos aparatos gratis. El propietario de los aparatos viejos es responsable de llevarlos a estos puntos limpios o similares puntos de recogida. Con este pequeño esfuerzo estás contribuyendo a reciclar valiosas materias primas y al tratamiento de residuos tóxicos.

### **Mise au rebut écologique**

Les appareils électriques usagés ne doivent pas être éliminés avec les déchets résiduels. Ils doivent être éliminés séparément. La mise au rebut au point de collecte municipal par l'intermédiaire de particuliers est gratuite. Il incombe au propriétaire des appareils usagés de les apporter à ces points de collecte ou à des points de collecte similaires. Avec ce petit effort personnel, vous contribuez au recyclage de matières premières précieuses et au traitement des substances toxiques.

### **Smaltimento ecologico**

I vecchi dispositivi elettrici non devono essere smaltiti insieme ai rifiuti residui, ma devono essere smaltiti separatamente. Lo smaltimento da parte di soggetti privati presso i punti di

raccolta pubblici è gratis. È responsabilità del proprietario dei vecchi dispositivi portarli presso tali punti di raccolta o punti di raccolta analoghi. Grazie a questo piccolo impegno personale contribuirete al riciclo di materie prime preziose e al corretto trattamento di sostanze tossiche.

### **Milieuvriendelijk afvoeren**

Oude elektrische apparaten mogen niet worden weggegooid samen met het restafval, maar moeten afzonderlijk worden afgevoerd. Afvoeren via het gemeentelijke inzamelpunt is gratis voor particulieren. De eigenaar van oude toestellen is verantwoordelijk voor het inleveren van de apparaten op deze of vergelijkbare inzamelpunten. Met deze kleine persoonlijke inspanning lever je een bijdrage aan de recycling van waardevolle grondstoffen en de verwerking van giftige stoffen.

### **Eliminação ecológica**

Os aparelhos elétricos antigos não podem ser eliminados juntamente com os materiais residuais. Têm de ser eliminados separadamente. A eliminação no ponto de recolha público através de entidades particulares é gratuita. É da responsabilidade do proprietário de aparelhos antigos levá-los a estes pontos de recolha ou a pontos de recolha semelhantes. Com este pequeno esforço pessoal, contribui para a reciclagem de matérias-primas úteis e para o tratamento de substâncias tóxicas.

### **Изхвърляне с оглед опазване на околната среда**

Старите електрически уреди не трябва да се изхвърлят заедно с битовите отпадъци, а отделно. Изхвърлянето в общинския пункт за събиране на отпадъци от частни лица е безплатно. Собственикът на старите уреди е отговорен за пренасянето на уредите до тези или до подобни събирателни пунктове. С това малко собствено усилие допринасяте за рециклирането на ценни суровини и за обработката на токсични вещества.

### **Ekologicky šetrná likvidace**

Stará elektrická zařízení nesmějí být likvidována spolu se zbytkovým odpadem, ale musí být likvidována samostatně. Likvidace na komunálních sběrných místech prostřednictvím soukromých osob je bezplatná. Vlastník starých zařízení odpovídá za to, že je donese do těchto sběrných míst nebo na obdobná sběrná místa. Tímto můžete přispět k recyklaci hodnotných surovin a zpracování toxických látek.

### **Miljøvenlig bortskaffelse**

Gamle elektriske apparater må ikke bortskaffes sammen med restaffald, men skal bortskaffes separat. Bortskaffelse på et fælles indsamlingssted er gratis for privatpersoner. Ejere af gamle apparater er ansvarlige for at bringe apparater hen til disse indsamlingssteder eller til lignende indsamlingssteder. Med denne lille personlige indsats bidrager du til genanvendelse af værdifulde råvarer og behandlingen af giftige stoffer.

### **Απόρριψη φιλική προς το περιβάλλον**

Οι παλιές ηλεκτρικές συσκευές δεν πρέπει να απορρίπτονται μαζί με τα υπολειμματικά απόβλητα, αλλά ξεχωριστά. Η απόρριψη στο δημοτικό σημείο συλλογής μέσω ιδιωτών

γίνεται χωρίς χρέωση. Ο κάτοχος παλιών συσκευών είναι υπεύθυνος για τη μεταφορά των συσκευών σε αυτά ή παρόμοια σημεία συλλογής. Μέσω της ατομικής σας προσπάθειας, συμβάλλετε στην ανακύκλωση πολύτιμων πρώτων υλών και την επεξεργασία των τοξικών ουσιών.

### **Keskkonnasäästlik kasutuselt kõrvaldamine**

Vanu elektriseadmeid ei tohi ära visata koos olmejäätmetega, vaid tuleb koguda ja kasutuselt kõrvaldada eraldi. Kohaliku omavalitsuse elektroonikaromude kogumispunktis on äraandmine eraisikutele tasuta. Vanade seadmete sellistesse või sarnastesse kogumispunktidesse toimetamise eest vastutavad seadmete omanikud. Selle väikese isikliku panusega aitate kaasa väärtusliku toorme ringlussevõttule ja mürgiste ainete töötlemisele.

### **Utilizavimas nekenkiant aplinkai**

Senų elektrinių prietaisų negalima išmesti kartu su buitine mis atliekomis; juos būtina utilizuoti atskirai. Tokių prietaisų utilizavimas per komunalinius atliekų surinkimo punktus yra nemokamas. Elektrinių prietaisų savininkai utilizuojamus prietaisus privalo priduoti į atitinkamus arba analogiškus atliekų surinkimo punktus. Tokiu būdu, į dėdami nedaug pastangų, prisidėsite prie vertingų medžiagų perdirbimo ir aplinkos apsaugojimo nuo toksinių medžiagų.

### **Videi draudzīga atkritumu likvidēšana**

Vecas elektriskās ierīces nedrīkst likvidēt kopā ar pārējiem atkritumiem, bet tās jālikvidē atsevišķi. **Privātperso** nām atkritumu likvidēšana komunālajā savākšanas punktā ir bez maksas. Veco ierīču īpašnieks ir atbildīgs par ierīču nogādāšanu šajos savākšanas punktos vai līdzīgos savākšanas punktos. Ar šīm nelielām personiskajām pūlēm jūs veicināt vērtīgu izejmateriālu pārstrādi un toksisko vielu apstrādi.

### **Hävittäminen ympäristöystävällisesti**

Vanhoja sähkölaitteita ei saa hävittää kaatopaikkajätteen mukana, vaan ne on hävitettävä erikseen. Kunnalliseen keräyspisteeseen vieminen on yksityishenkilölle ilmaista. Vanhojen laitteiden omistaja vastaa laitteiden toimittamisesta kyseisiin keräyspisteisiin tai vastaaviin. Tällä vähäisellä henkilökohtaisella vaivalla edistät omalta osaltasi arvokkaiden raaka-aineiden kierrätystä ja myrkyllisten aineiden käsittelyä.

### **Diúscairt neamhdhíobhálach don chomhshaol**

Níor cheart seanghléasanna leictreacha a dhiúscairt leis an dramhaíl iarmharach, ach caithfear iad a chur de láimh astu féin. Tá an diúscairt ag an ionad bailiúcháin pobail ag daoine príobháideacha saor in aisce. Tá freagracht ar úinéir seanghléasanna na gléasanna a thabhairt chuig na hionaid bhailiúcháin sin nó chuig ionaid bhailiúcháin den chineál céanna. Le hiarracht bheag phearsanta mar sin, cuidíonn tú le hamhábhair luachmhara a athchúrsáil agus le substaintí tocsaineacha a chóireáil.

### **Rimi li jirrispetta l-ambjent**

L-apparat elettriku qadim ma għandux jintrema flimkien ma' skart residwu, i da għandu

jintrema b'mod separat. Ir-rimi fil-post tal-ġbir komunali minn persuni privati huwa b'xejn. Is-sit ta' apparat qadim huwa responsabbli biex iġib l-apparat f'dawn il-postijiet tal-ġbir jew f'postijiet tal-ġbir simili. B'dan l-isforz personali g'ir, inti tikkontribwixxi g'ar-risultati ta' materja prima prezzjuosa u g'at-treatment ta' sustanzi tossiċi.

### **Eliminarea ecologică**

Aparatele electrice vechi nu trebuie aruncate odată cu deșeurile reziduale, ci trebuie eliminate separat. Eliminarea în cadrul punctului de colectare local de către persoane fizice este gratuită. Proprietarii de aparate vechi sunt responsabili pentru transportul acestora la respectivele puncte de colectare sau la alte puncte de colectare similare. Prin acest efort personal nesemnificativ, puteți contribui la reciclarea materiilor prime valoroase și la tratarea substanțelor toxice.

### **Okolju prijazno odlaganje**

Starih električnih aparatov ne smete odvreči skupaj z ostanki odpadkov, temveč ločeno. Odlaganje na komunalnem zbirnem mestu je za fizične osebe brezplačno. Lastnik starih naprav je odgovoren, da jih pripelje do teh ali podobnih zbirnih mest. S tako malo osebnega truda prispevate k recikliranju dragocenih surovin in obdelavi strupenih snovi.

### **Ekološko odlaganje**

Stari električni uređaji ne smiju se odlagati zajedno s kućnim otpadom, već ih treba odlagati odvojeno. Odlaganje na komunalnom sabirnom mjestu od strane privatnih osoba je besplatno. Vlasnik starih uređaja dužan je donijeti uređaje do tih sabirnih mjesta ili sličnih sabirnih mjesta. Ovim malim osobnim naporom doprinosite recikliranju vrijednih sirovina i pravilnoj obradi otrovnih tvari.

### **Ekologická likvidácia**

Staré elektrospotrebiče sa nesmú likvidovať spolu so zvyškovým odpadom, ale musia sa zlikvidovať samostatne. Likvidácia v komunálnom zbernom mieste prostredníctvom súkromných osôb je bezplatná. Majiteľ starých spotrebičov je zodpovedný za prinesenie spotrebičov na tieto zberné miesta alebo na podobné zberné miesta. Týmto malým osobným úsilím prispievate k recyklovaniu cenných surovín a spracovaniu toxických látok.

### **Utylizacja przyjazna dla środowiska**

Nie można usuwać starych urządzeń elektrycznych wraz z pozostałymi odpadami. Wymagają one oddzielnej utylizacji. Utylizacja przez osoby prywatne w punkcie zbiórki odpadów komunalnych jest darmowa. Właściciel starych urządzeń jest odpowiedzialny za dostarczenie ich do takich lub podobnych punktów zbiórki. Zadać sobie tak niewielki trud, przyczyniasz się do recyklingu cennych surowców i odpowiedniego postępowania z substancjami toksycznymi.

### **Környezetbarát hulladékkezelés**

A régi elektromos készülékeket nem szabad a nem szelektíven gyűjtött hulladékkal együtt kidobni, hanem a hulladékkezelésüket elkülönítve kell végezni. A közösségi gyűjtőpontokon

a magánszemélyek ingyenesen leadhatják ezeket. A régi készülékek tulajdonosai felelnek azért, hogy e készülékeket ezekre a gyűjtőpontokra, vagy más gyűjtőpontokra hozzák. Ezzel a kis személyes erőfeszítéssel Ön is hozzájárul az értékes nyersanyagok újrahasznosításához és a mérgező anyagok kezeléséhez.

### **Miljøvänlig hantering av avfall**

Gamla elektriska apparater får inte kasseras tillsammans med restavfallet utan måste kasseras separat. Kassering på den lokala insamlingsplatsen för privatpersoner är gratis. Ägaren av gamla apparater ansvarar för att ta apparaterna till dessa insamlingsplatser eller till liknande insamlingsplatser. Med denna lilla personliga insats bidrar du till återvinning av värdefulla råvaror och hantering av giftiga ämnen.

### **Umhverfisvæn förgun**

Ekki má farga gömlum raftækjum með úrgangsléifum, heldur þarf að farga þeim sérstaklega. Förgun á almennum söfnunarstöðum er ókeypis fyrir einstaklinga. Eigandi gamalla tækja ber ábyrgð á að koma með tækin á þessa söfnunarstaði eða á svipaða söfnunarstaði. Með þessu litla persónulega átaki stuðlar þú að endurvinnslu verðmætra hráefna og meðferð eitrufefna.

### **Çevre dostu bertaraf**

Eski elektrikli cihazlar, diğer atıklarla birlikte bertaraf edilmemeli, ayrıca atılmalıdır. Özel kişiler aracılığıyla genel toplama noktasına bertaraf işlemi ücretsiz olarak yapılmaktadır. Eski cihazların sahibi, cihazları bu toplama noktalarına veya benzer toplama noktalarına getirmekten sorumludur. Bu az miktardaki kişisel çabayla, değerli ham maddelerin geri dönüştürülmesine ve toksik maddelerin işleme alınmasına katkıda bulunmuş olursunuz.

This device is restricted to indoor use when operating in the 5150-5350MHz frequency range in all EU/EFTA member states and Turkey.

Im Frequenzbereich 5150 – 5350 MHz darf dieses Gerät in allen EU/EFTA-Mitgliedsstaaten und der

Türkei nur innerhalb von Gebäuden verwendet werden.

Este dispositivo está limitado a su uso en interiores cuando esté funcionando en el rango de frecuencia de 5150-5350 MHz en todos los estados miembros de la UE/AELC y Turquía.

Cet appareil est réservé à un usage en intérieur dans une plage de fréquence de 5 150 à 5350 MHz

dans tous les pays membres de l'Union Européenne et de l'Association européenne de libre-échange, ainsi qu'en Turquie.

Il presente dispositivo è limitato all'uso in ambienti interni se utilizzato nell'intervallo di frequenze di funzionamento 5150-5350 MHz in tutti gli stati dell'UE/AELS e in Turchia.


Dit apparaat mag in landen van de EU/EFTA en Turkije alleen in binnenruimtes worden gebruikt

wanneer het frequentiebereik 5150-5350 MHz is ingesteld.

Este dispositivo está restrito para uso em áreas internas ao operar na faixa de frequência de 5150-5350MHz em todos os estados-membros da UE/EFTA e Turquia.

Использование данного устройства в частотном диапазоне 5150-5350 МГц разрешается только в помещениях во всех странах, входящих в ЕС/ЕАСТ, а также в Турции.

Operating authorizations must exist to operate the product in the following member states of the European Union, refer to the table below.

					
BE	BG	CZ	DK	DE	EE
IE	EL	ES	FR	HR	IT
CY	LV	LT	LU	HU	MT
NL	AT	PL	PT	RO	SI
SK	FI	SE	UK(NI)	TR	NO
CH	IS	LI			



In case of STA, 電波法により W52、W53 は屋外利用禁止です（法令により許可された場合を除く）

#### Thailand Warning message

เครื่องโทรคมนาคมและอุปกรณ์นี้ มีความสอดคล้องตามข้อกำหนดของ กทช.

#### Mexico Warning message

“La operación de este equipo está sujeta a las siguientes dos condiciones: (1) es posible que este equipo o dispositivo no cause interferencia perjudicial y (2) este equipo o dispositivo debe aceptar cualquier interferencia, incluyendo la que pueda causar su operación no deseada.”

#### Brazil Warning message

Informações sobre Regulamentação.

Este equipamento está certificado e homologado pela ANATEL.

Para maiores informações, consulte o site da ANATEL: [www.anatel.gov.br](http://www.anatel.gov.br).

Este equipamento não tem direito à proteção contra interferência prejudicial e não pode causar interferência em sistemas devidamente autorizados.



The Adopted Trademarks HDMI, HDMI High-Definition Multimedia Interface, and the HDMI Logo are trademarks or registered trademarks of HDMI Licensing Administrator, Inc. in the United States and other countries.

CAUTION Risk of fire or explosion if the battery is replaced by an incorrect type