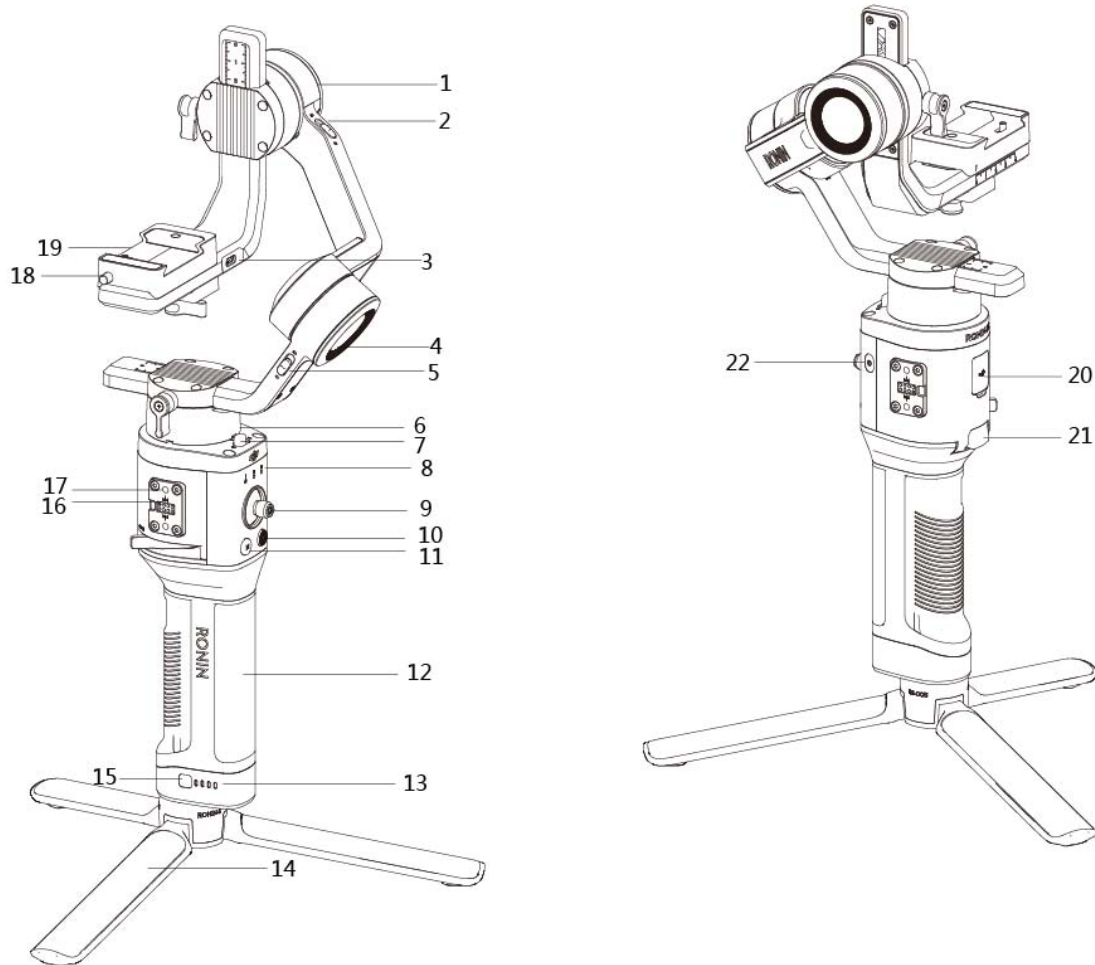


# Ronin-SC Quick Start Guide

2019.04

## Ronin-SC Overview



1. Tilt Motor
2. Tilt Axis Lock
3. Camera Control/Accessories Port (USB-C)
4. Roll Motor
5. Roll Axis Lock
6. Pan Motor
7. Pan Axis Lock
8. Profile LED Indicators
9. Joystick
10. Camera Control Button
11. M Button

12. Grip (includes 1/4",3/8"Mounting Holes on the bottom)
13. Battery Level Indicators
14. Tripod
15. Battery Level Button
16. 8-pinPort
17. M4Mounting Hole
18. Safety Lock
19. Camera Mounting Base
20. Power Port (USB-C)
21. Trigger
22. Power Button

## Getting Started

A.Download the DJI RONIN™ App and watch the tutorials.

Search for "Ronin" in the App Store or Google Play and follow the instructions to install the app.

Watch the tutorials on the official DJI websites. <https://www.dji.com/ronin-sc>



Ronin App

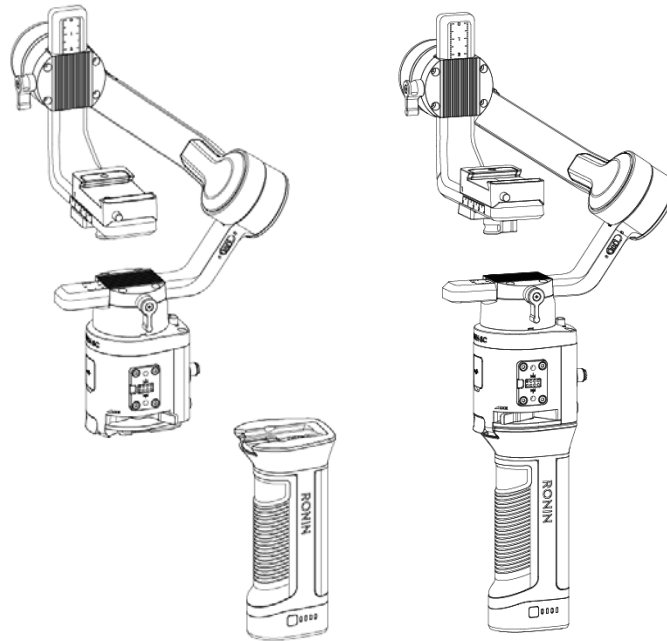
B.Charge the battery.

Charge the grip using the provided power cable and USB adapter (not included) through the power port. Press and hold the power button to turn on/off Ronin-SC. Press the battery level button to check the battery level.



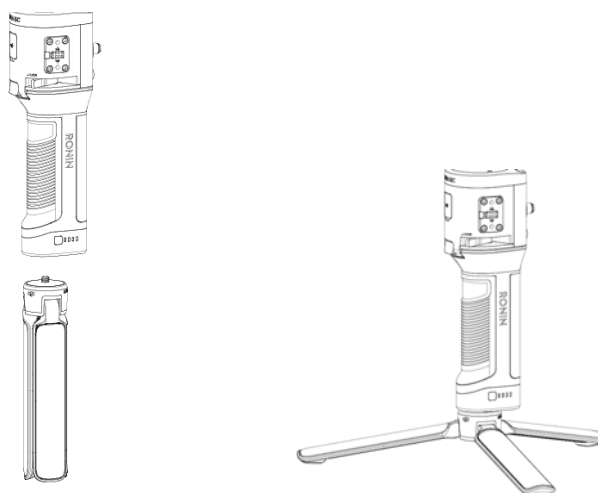
It is recommended to use a USB adapter of 5V/2A.

## Mounting the Grip



	The three axes of the gimbal are locked by default. Toggle the lock to the unlocked positions and adjust the gimbal to the position as shown, and then lock the gimbal again.
	The Ronin-SC's ports are not waterproof. Ensure to protect them from dust and water during use to avoid damage.

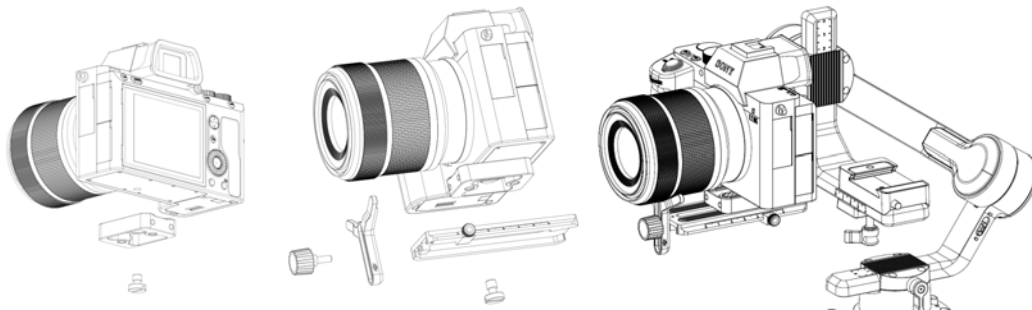
## Attaching the Tripod



# Mounting the Camera

Before mounting the camera, make sure it is prepared ahead of time. Remove the lens cap and make sure the camera's battery and memory card are already inserted.

1. Attach the riser plate (if needed) to the bottom of the camera using a flathead screwdriver or coin.
2. Attach the camera dovetail plate and lens support. The arrow and camera lens direction should be consistent. For the best results during setup, use the lens support whenever possible.
3. Loosen the knob on the bottom of the camera mounting base and then slide the camera into it. Tighten the knob when the camera is in the middle of the base.



# Activating Ronin-SC

The Ronin-SC need to be activated through the Ronin app before the first time use.

1. Press and hold the power button to power on the gimbal.
2. Enable Bluetooth on your mobile device and launch the Ronin app. Select Ronin-SC and input the default Bluetooth password 12345678 once it's detected.
3. Make sure you are connected to the internet and follow the on-screen instructions to activate Ronin-SC.
4. After activation, double tap the power button to engage the motors before proceeding.

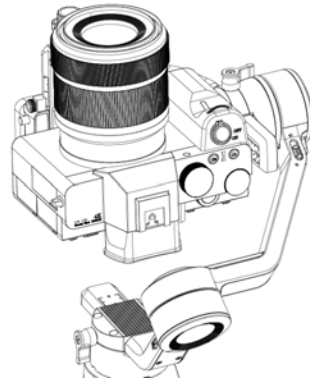
# Balancing

Balancing is required before shooting. There is Balancing tutorials in Ronin app, you can watch the tutorials after activation and follow the instructions to do the balancing. Balancing is also can be done without the Ronin app.

1. Balancing the Vertical Tilt
  - a. Unlock the tilt axis.
  - b. Rotate the tilt axis so that the camera lens is pointing up. Check if the camera is top or

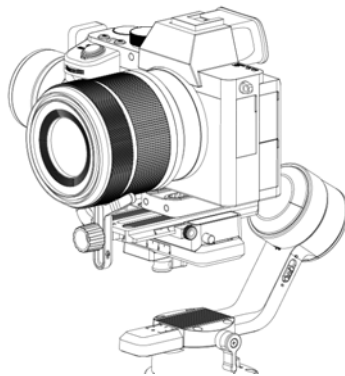
bottom heavy.

- c. Loosen the knob on the tilt motor and adjust the camera balance until the camera stays still without tilting up or down.
- d. Tighten the knob.



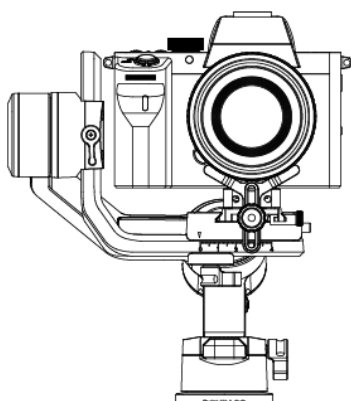
## 2. Balancing Depth for the Tilt Axis

- a. Rotate the tilt axis so that the camera lens is pointing forward. Check if the camera is top or bottom heavy.
- b. Loosen the knob under the camera mounting base and then adjust the camera balance until the camera stays still when rotating the tilt axis  $45^\circ$  upwards or downwards.
- c. Tighten the knob. The slider on the dovetail plate is used to record the balance position, tighten the slider when it closed to the mounting base.



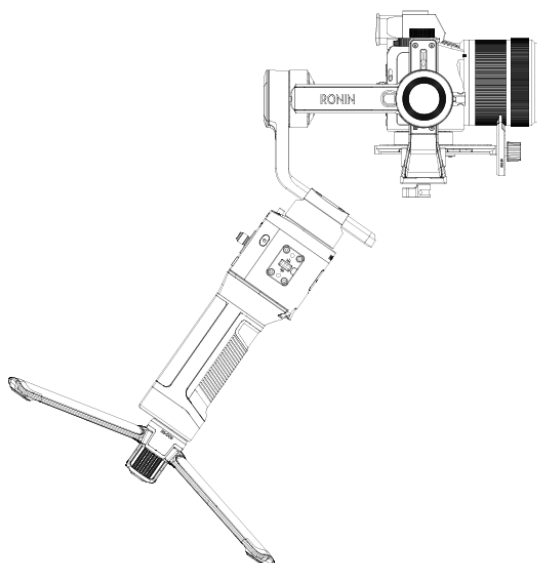
## 3. Balancing the Roll Axis

- a. Lock the tilt axis and then unlock the roll axis. Check the direction in which the roll motor swings.
- b. Loosen the knob on the camera mounting base, and then adjust the base position until the camera stays still.
- c. Tighten the knob. If the camera moves forward by accident, move the camera backward until the slider is closed to the mounting base.



#### 4. Balancing the Pan Axis

- a. Unlock the three axes. Grab the grip, tilt Ronin-SC sideways, and check for movement along the pan axis.
- b. Loosen the knob on the pan motor. Adjust the camera balance until the camera stays still when rotating the pan axis  $45^\circ$  while lifting the grip.
- c. Tighten the knob.



## Operation

After installation, activation and balancing, Ronin-SC can be used instantly after Auto Tune. There are two ways to perform Auto Tune.

1. Launch the Ronin app, go to the Motor page, and select Auto Tune.
2. Press and hold Ronin-SC's M button and trigger simultaneously for four seconds to start Auto Tune.

## Button Features

M Button: press once to select user profiles, press and hold to enter Sport mode.

Joystick: push the joystick up or down to control the movement of the tilt axis, and push it left or right to control the movement of the pan axis. Go to the Joystick page of the Ronin app to adjust the parameters for the pan, tilt and, roll axes.

Camera Control Button: after connecting the camera control port and camera, press halfway to auto focus, as you would for the shutter button on cameras. Press once to start/stop recording. Press and hold to take a photo. Please refer to Ronin-SC product page (<http://www.dji.com/ronin-sc>) for most updated Camera Compatibility List.

Trigger: press and hold the trigger to enter Lock mode. Press twice to recenter the gimbal. Press three times to turn the gimbal 180° so that the camera faces you.

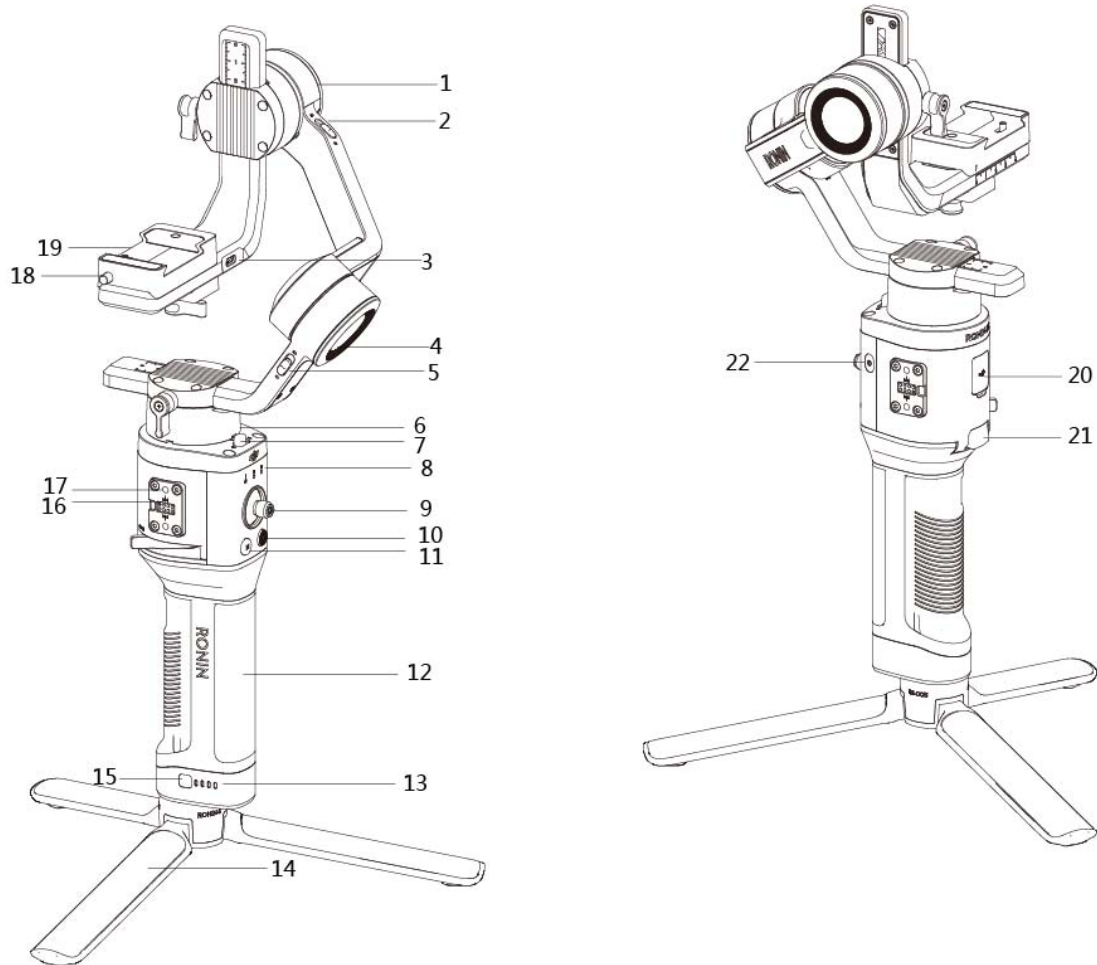
## Specification

Weight	Gimbal: Approx. 830 g
	Grip: Approx.258 g
	Tripod: Approx.160 g
Dimensions	Gimbal folded: 220×200×75 mm
	Gimbal extended:370×165×150 mm
Input Power	Model: RB2-2450 mAh-7.2 V
	Type: 18650 LiPo 2S
	Capacity: 2450 mAh
	Energy: 17.64 Wh
Operating Current	Static Current: 0.2 A
Operating Temperature	-4° to 113° F (-20° to 45° C)

# Ronin-SC 퀵스타트가이드

2019.04

## Ronin-SC 개요



- 23. 틸트모터
- 24. 틸트축잠금장치
- 25. 카메라제어포트/액세서리전원포트(USB-C)
- 26. 롤모터
- 27. 롤축잠금장치
- 28. 팬모터
- 29. 팬축잠금장치
- 30. 프로필 LED 표시기
- 31. 조이스틱
- 32. 카메라제어버튼
- 33. M 버튼



- 34. 그립
- 35. 배터리 잔량 표시기
- 36. 삼각대
- 37. 그립 전원 버튼
- 38. 8 핀
- 39. M4 장착구멍
- 40. 안전잠금장치
- 41. 카메라 마운팅 플레이트
- 42. USB-C 포트
- 43. 트리거
- 44. 전원 버튼

## 시작

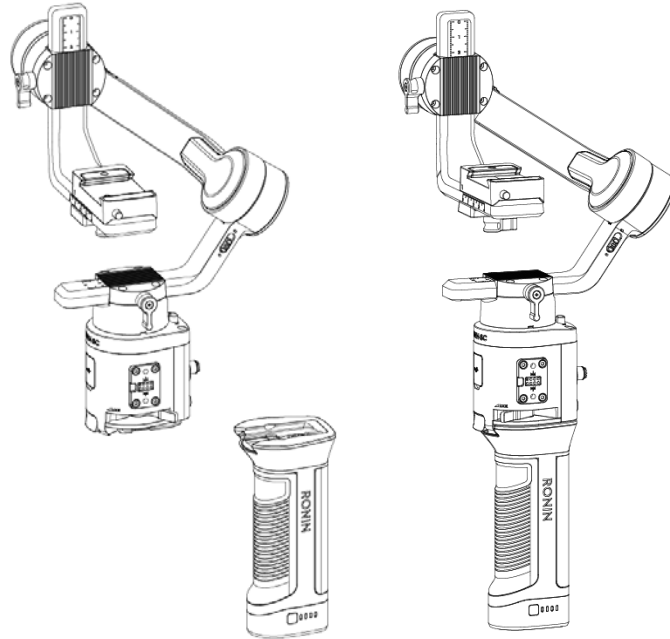
A. DJI RONIN™ 모바일 앱을 다운로드하고 튜토리얼 영상을 시청합니다.  
App Store 나 Google Play 에서 "Ronin"을 검색하고 지침에 따라 앱을 설치합니다.  
DJI 공식 웹사이트에 있는 튜토리얼 영상을 시청합니다. <https://www.dji.com/ronin-sc>



Ronin App

B. 배터리를 충전합니다.  
제공된 USB-C 케이블로 USB 전원 어댑터를(별매) 짐벌의 USB-C 포트에 연결하여 그립을 충전합니다. 짐벌 전원 버튼을 길게 눌러 짐발을 켜고 끕니다.

## 그립장착

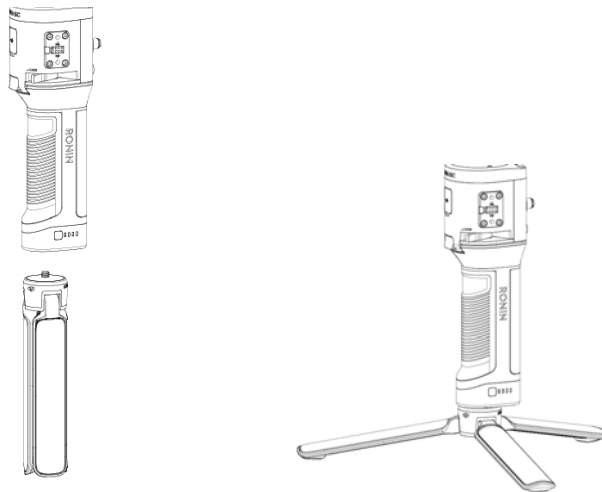


Ronin-SC

의 전원/데이터 포트와 커넥터에는 방수 기능이 없습니다.

손상을 방지하기 위해 사용 중에 먼지나 물에 노출되지 않도록 주의하십시오.

## 확장그립연결

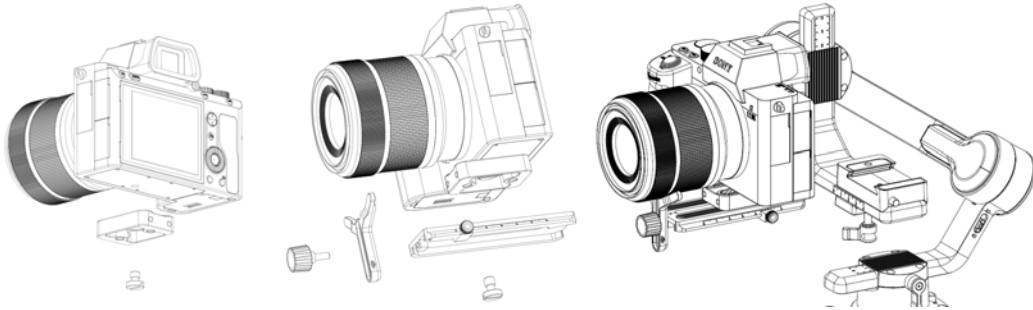


## 카메라장착

카메라를 장착하기 전에 미리 준비하십시오.

렌즈캡을 분리하고 카메라의 배터리와 메모리 카드가 삽입되어 있는지 확인합니다.

4. 일자드라이버또는동전을사용하여라이저플레이트를카메라의하단에장착합니다.
5. 카메라더브테일플레이트와렌즈서포트를장착합니다
6. 카메라를카메라마운팅베이스에밀어넣습니다.

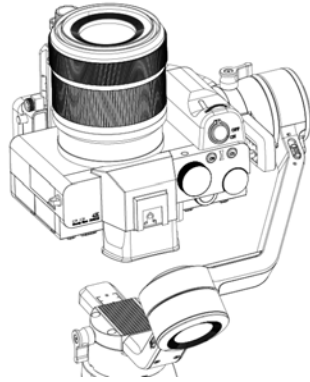


## Ronin-SC 활성화

5. 짐벌전원버튼을길게눌러짐발을켜고 끄니다.
6. 모바일기기에서 Bluetooth 를활성화하고 Ronin 앱을실행합니다.  
Ronin-SC 를선택하고기본 Bluetooth 암호인 12345678 을입력합니다.
7. 인터넷에연결한다음화면의지시에따라 Ronin-SC 를처음으로활성화합니다.
8. 활성화후짐벌의전원버튼을두번탭하여진행하기전에모터를연결합니다.

## 균형조정

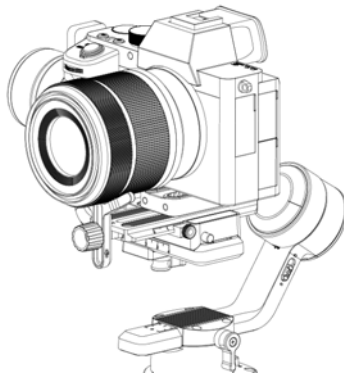
5. 수직틸트균형조정
  - e. 카메라렌즈가위를향하도록틸트축을돌립니다.  
물축이수평이되도록틸트축모터를고정하고카메라의상단또는하단이무거운지확인합니다.
  - f. 틸트모터의노브를풀어서카메라가위아래로틸트회전하지않고정지상태를유지할때까지카메라의균형을조정합니다.
  - g. 노브를조입니다.



6. 틸트축에 대한 깊이균형조정

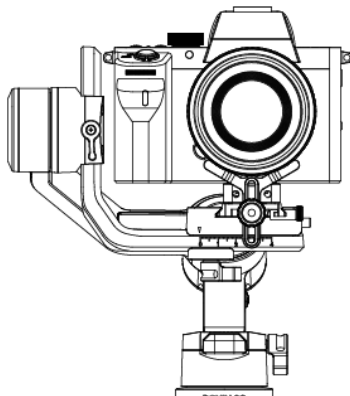
- d. 카메라렌즈가전방을향하도록틸트축을돌립니다
- e. 틸트축을위또는아래로  
도회전할때카메라가정지상태를유지할때까지카메라의균형을조정합니다.
- f. 노브를조입니다.

45



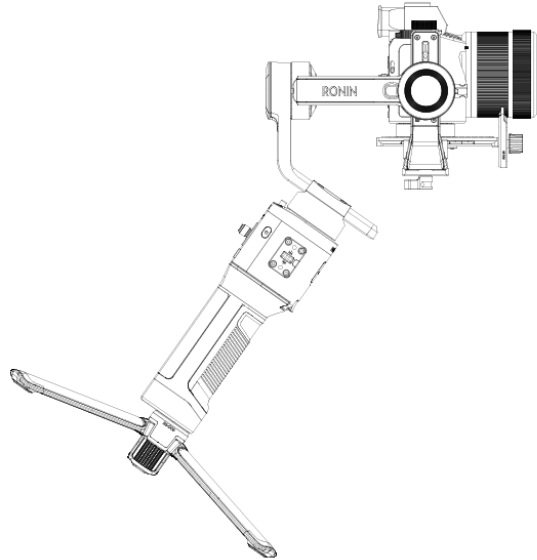
7. 롤축균형조정

- d. 틸트축을잠급니다.롤축의잠금을 풉니다.
- e. 롤축손잡이를풀고카메라균형을카메라가고정될때까지조정합니다.
- f. 노브를조입니다.



8. 팬축균형조정

- d. 그립을잡고 Ronin-SC 를측면으로기울인다음팬축을따라움직임을확인합니다.
- e. 팬모터의노브를뽑니다. 그립을올린상태에서팬축을 45° 회전할때카메라가정지상태를유지할때까지카메라의균형을조정합니다.
- f. 노브를조입니다.



## 조작

**Auto Tune:** Ronin 앱을실행하고 Motor 페이지로이동하여 Auto Tune 을선택합니다. 또는 Ronin-SC 의 M 버튼과트리거를 4 초동안동시에눌러 Auto Tune 을시작할수도있습니다.

### 버튼기능

**M 버튼:** 사용자프로필을선택하려면한번누릅니다, M 버튼을길게탭하여스포츠모드로진입합니다.

**조이스틱:** 조이스틱은기본값으로이미설정되어있습니다. 즉, 조이스틱을위또는아래로밀어서틸트축의움직임을제어하고, 왼쪽또는오른쪽으로밀어서팬축의움직임을제어합니다.

### 카메라제어버튼:

- a. 반쯤누르면자동으로포커스를맞춥니다.
- b. 한번누르면녹화가시작/중지됩니다. 길게누르면사진이촬영됩니다. 자세한내용은사용설명을참조하십시오.

**트리거:** 잠금모드로진입하려면트리거를길게누릅니다. 짐벌을중앙으로복귀하려면두번누릅니다. 세번누르면카메라가사용자를향하도록짐벌이 180° 회전합니다.

# 사양

무게 짐벌만: Approx. 830 g

그립: Approx.258 g

삼각대: Approx.160 g

크기 접힌: 220×200×75 mm

펼치기: 370×165×150 mm

입력 전원 모델: RB2-2450 mAh-7.2 V

유형: 18650 LiPo 2S

용량: 2450 mAh

에너지: 17.64 Wh

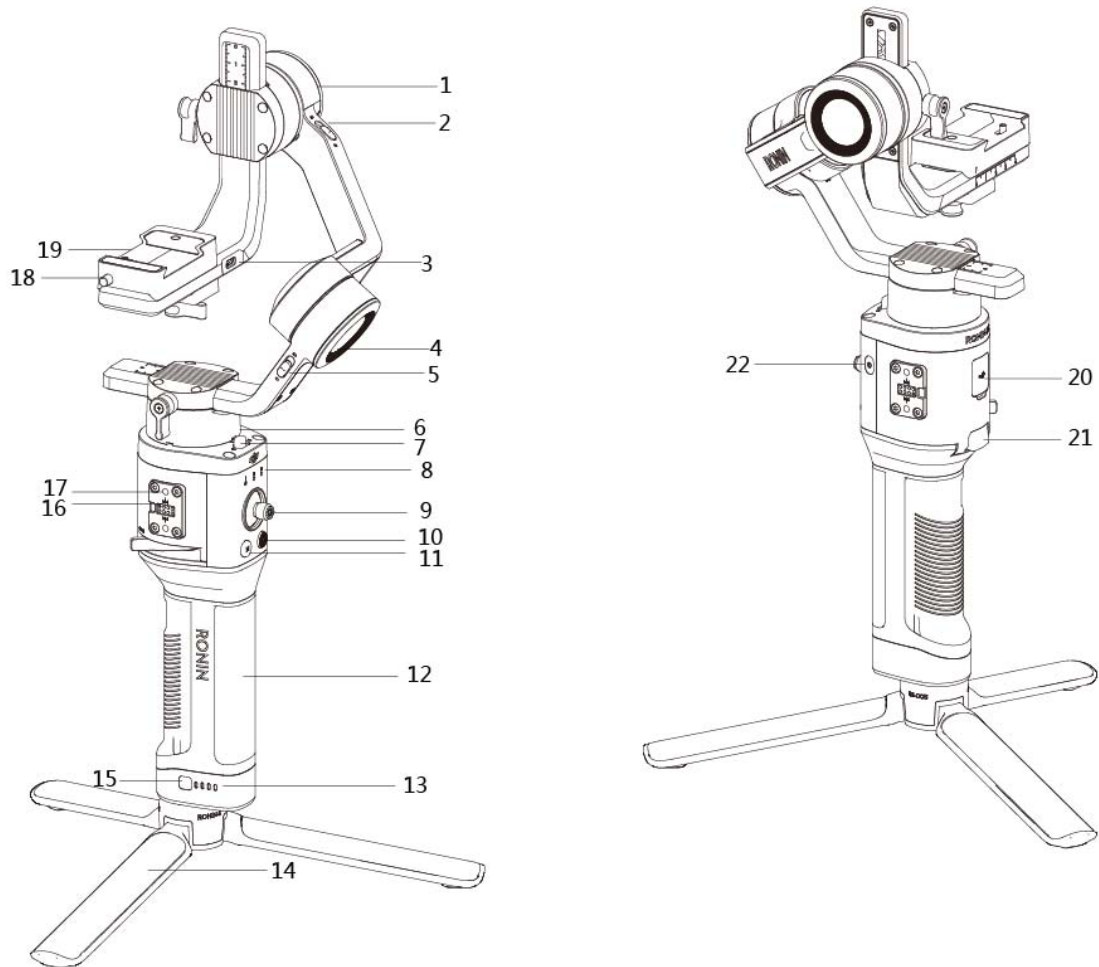
작동 전류 정 전류: 0.2 A

작동 온도 -4° to 113° F (-20° to 45° C)

# Ronin-SC 快速入門指南

2019.04

## 認識 Ronin-SC



- 45. 俯仰軸電機
- 46. 俯仰軸鎖
- 47. 相機控制/配件介面 (USB-C)
- 48. 橫滾軸電機
- 49. 橫滾軸鎖
- 50. 平移軸電機
- 51. 平移軸鎖
- 52. 配置指示燈
- 53. 搖杆
- 54. 相機控制按鍵

55. 配置切換按鍵（M 按鍵）
56. 手柄（底部含 1/4”、3/8”安裝孔）
57. 電量指示燈
58. 三腳架
59. 電量查看按鍵
60. 8-pin 介面
61. M4 螺紋孔
62. 安全鎖
63. 相機安裝底座
64. 充電介面（USB-C）
65. 模式切換按鍵
66. 電源按鍵

## 準備

### A 下載 RONIN™ App 和觀看教學視頻

請在軟體商店或使用移動設備掃描二維碼下載。請在 DJI 官網觀看 Ronin-SC 教學視頻。


<https://www.dji.com/ronin-sc>



Ronin App

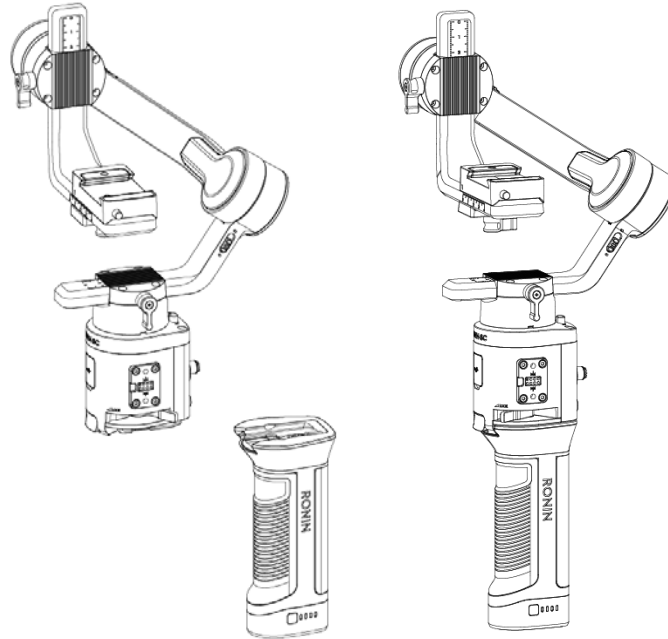
### B 充電

使用標配 USB-C 線和 USB 充電器（用戶自備）給雲台充電。長按雲台電源按鍵開啟/關閉雲台。短按電量查看按鍵，電量指示燈指示當前電量。

 推薦使用規格為 5V/2A 的 USB 充電器。



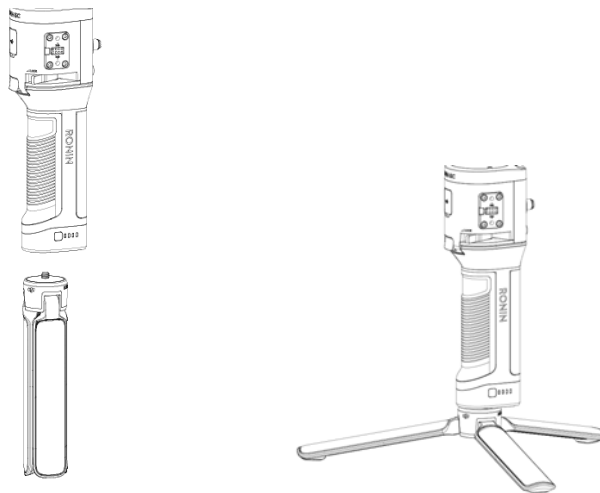
## 安裝手柄



雲台在出廠時鎖定在折疊狀態，安裝時請將三軸解鎖，並調整至上圖狀態後重新鎖定，方便下一步操作。

Ronin-SC 的電源/ 資料介面不防水，使用期間請注意防水、防塵，以免造成損壞。

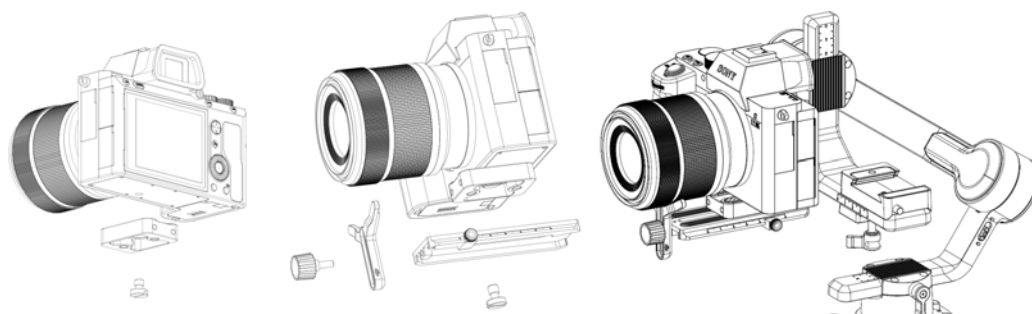
## 安裝三腳架



## 安裝相機

安裝相機之前，確保相機已做好拍攝準備，鏡頭蓋已移除，電池及記憶體卡已安裝。

1. 根據相機大小，視情況安裝墊高模組（使用一字螺絲刀或硬幣等工具）。
2. 安裝相機底部安裝板和鏡頭固定支架（底部安裝板箭頭所指方向應與鏡頭方向一致，鏡頭固定支架可幫助獲得更好的拍攝效果）。
3. 擰松相機安裝底座底部旋鈕，將相機嵌入相機安裝底座，到達中間位置時擰緊旋鈕。



## 啟動

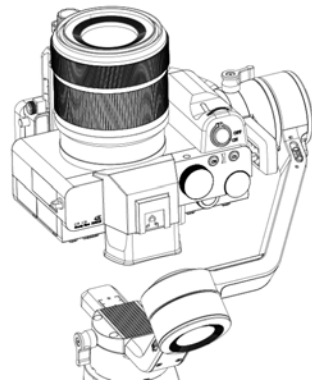
首次使用 Ronin-SC 需連接 Ronin App 啟動。啟動步驟如下：

1. 長按電源按鍵開啟雲台。
2. 開啟移動設備藍牙功能。
3. 運行 Ronin App，在設備清單中選擇 Ronin-SC 後輸入預設密碼 12345678，按提示啟動。啟動過程中需連接網路。
4. 啟動雲台後，電機仍處於休眠狀態。請按兩下雲台電源按鍵以啟動電機，再進行操作。

## 平衡調節

拍攝前需要對雲台相機進行平衡調節。Ronin App 內置調平教學，可連接 Ronin-SC 後按步驟調平。調平步驟也可獨立進行（不需連接 Ronin App）。

1. 俯仰軸的垂直平衡調節
  - a. 解鎖俯仰軸。
  - b. 翻轉相機使鏡頭垂直朝上，判斷相機重心偏向。
  - c. 擰松旋鈕後調節相機位置。
  - d. 擰緊旋鈕，相機鏡頭垂直朝上時能穩定停留代表已調節平衡。



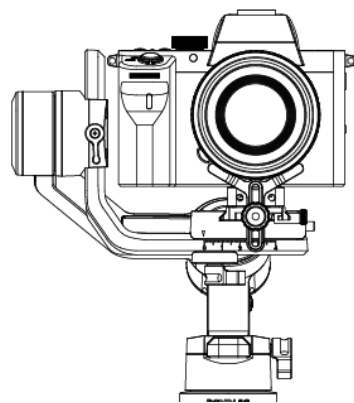
## 2. 俯仰軸的前後平衡調節

- a. 使相機鏡頭水準朝前，判斷相機重心偏向。
- b. 擰松安裝底座底部旋鈕，前後調節相機位置。
- c. 鎖緊旋鈕。使相機向上或向上傾斜  $45^\circ$ ，若相機能穩定停留，表示已調節平衡。使相機安裝板側邊的記憶塊緊貼安裝底座後擰緊，可記錄相機俯仰軸平衡位置、



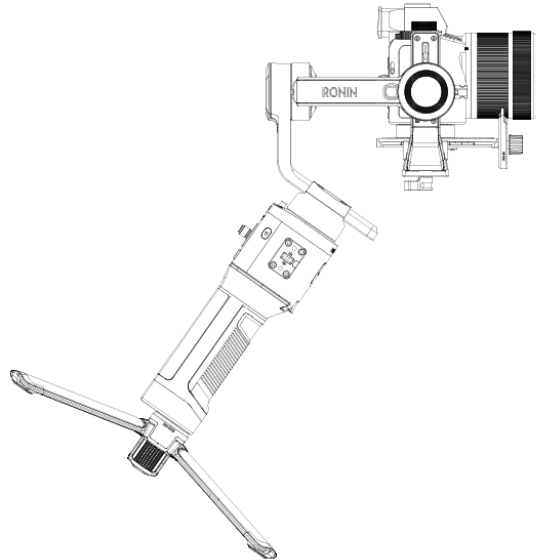
## 3. 橫滾軸的平衡調節

- a. 鎖定俯仰軸，解鎖橫滾軸，然後判斷相機重心偏向。
- b. 擰松安裝底座旋鈕，左右調節相機位置。
- c. 擰緊旋鈕。使相機向左或向右傾斜，若相機能穩定停留，表示已調節平衡。若調節橫滾軸過程中相機前後位置改變，可通過記憶塊找回俯仰軸平衡位置。



#### 4. 平移軸的平衡調節

- 將三軸全部解鎖。握住雲台向前側斜，觀察相機在平移軸旋轉方向。
- 擰松平移軸旋鈕，拉伸平移軸力臂調整相機位置。
- 擰緊旋鈕，若雲台平移軸在任意角度都能保持靜止不動，表示已調節平衡。



## 使用

經過安裝、啟動以及調平後，Ronin-SC 經過自動校準即可使用。自動校準有兩種方式：

- 運行 Ronin App 進入電機設置頁面，選擇自動校準。
- 同時按住雲台 M 按鍵與模式切換按鍵 4s。配置指示燈綠燈閃爍表示開始校準。

### 按鍵功能

**M 按鍵**：短按切換配置參數；長按 M 按鍵進入運動模式。

**搖杆**：上下推動搖杆控制俯仰軸運動，左右推動搖杆控制平移軸運動(默認設置)。進入 Ronin App 搖杆設置介面，可設置搖杆參數與配置通道。

**相機控制按鍵**：使用相機控制線連接雲台相機控制介面與相機後，半按壓相機控制按鍵自動對焦；按壓相機控制按鍵開始或停止錄影；長按相機控制按鍵拍照。請訪問 <http://www.dji.com/ronin-s> 瞭解相機相容列表以及支持功能。

**模式切換按鍵**：長按進入鎖定模式；按兩下雲台回中；三擊雲台進入自拍模式。

# 規格參數

重量雲台：約 830 g

手柄：約 258 g

三腳架：約 160 g

尺寸雲台折疊：220×200×75 mm

工作狀態：370×165×150 mm

手柄內置電池型號：RB2-2450 mAh-7.2 V

類型：18650 LiPo 2S

容量：2450 mAh

能量：17.64 Wh

工作電流靜態電流：0.2 A

工作環境溫度

-20°C 至 45°C

# Compliance Information

## FCC Compliance Notice

This device complies with Part 15 of the FCC Rules. Operation is subject to the following two conditions: (1) This device may not cause harmful interference, and (2) This device must accept any interference received, including interference that may cause undesired operation.

Any changes or modifications not expressly approved by the party responsible for compliance could void the user's authority to operate the equipment.

This equipment has been tested and found to comply with the limits for a Class B digital device, pursuant to part 15 of the FCC Rules. These limits are designed to provide reasonable protection against harmful interference in a residential installation. This equipment generates, uses and can radiate radio frequency energy and, if not installed and used in accordance with the instructions, may cause harmful interference to radio communications. However, there is no guarantee that interference will not occur in a particular installation. If this equipment does cause harmful interference to radio or television reception, which can be determined by turning the equipment off and on, the user is encouraged to try to correct the interference by one or more of the following measures:

- Reorient or relocate the receiving antenna.
- Increase the separation between the equipment and receiver.
- Connect the equipment into an outlet on a circuit different from that to which the receiver is connected.
- Consult the dealer or an experienced radio/TV technician for help.

## RF Exposure Information

This equipment complies with FCC radiation exposure limits set forth for an uncontrolled environment . This transmitter must not be colocated or operating in conjunction with any other antenna or transmitter.

## ISED Warning

This device contains licence-exempt transmitter(s)/receiver(s) that comply with Innovation, Science and Economic Development Canada's licence-exempt RSS(s). Operation is subject to the following two conditions: (1)This device may not cause interference.(2)This device must accept any interference, including interference that may cause undesired operation of the device.

L'émetteur/récepteur exempt de licence contenu dans le présent appareil est conforme aux CNR d'Innovation, Sciences et Développement économique Canada applicables aux appareils radio exempts de licence. L'exploitation est autorisée aux deux conditions suivantes : (1) L'appareil ne doit pas produire de brouillage; (2) L'appareil doit accepter tout brouillage radioélectrique subi, même si le brouillage est susceptible d'en compromettre le fonctionnement.

This equipment complies with ISED radiation exposure limits set forth for an uncontrolled environment. End user must follow the specific operating instructions for satisfying RF exposure

compliance. This transmitter must not be co-located or operating in conjunction with any other antenna or transmitter. The portable device is designed to meet the requirements for exposure to radio waves established by the ISED.

Cet équipement est conforme aux limites d'exposition aux rayonnements ISED établies pour un environnement non contrôlé. L'utilisateur final doit suivre les instructions spécifiques pour satisfaire les normes. Cet émetteur ne doit pas être co-implanté ou fonctionner en conjonction avec toute autre antenne ou transmetteur. Le dispositif portable est conçu pour répondre aux exigences d'exposition aux ondes radio établie par le développement énergétique DURABLE.

This equipment complies with RSS - 102 radiation exposure limits set forth for an uncontrolled environment. This transmitter must not be co-located or operating in conjunction with any other antenna or transmitter.

Cet équipement est conforme aux limites d'exposition aux radiations CNR - 102 établies pour un environnement non contrôlé. Cet équipement doit être installé et utilisé avec

#### **KCC Warning Message**

“ 해당무선설비는운용중전파혼신가능성이있으므로인명안전과관련된서비스는할수없습니다.”

“ 해당무선설비는운용중전파혼신가능성이있음”

#### **NCC Warning Message**

低功率電波輻射性電機管理辦法

第十二條經型式認證合格之低功率射頻電機，非經許可，公司、商號或使用者均不得擅自變更頻率、加大功率或變更原設計之特性及功能。

第十四條低功率射頻電機之使用不得影響飛航安全及干擾合法通信；經發現有干擾現象時，應改善至無干擾時方得繼續使用。前項合法通信，指依電信法規定作業之無線電通信。低功率射頻電機須忍受合法通信或工業、科學及醫療用電波輻射性電機設備之干擾。

**EU Compliance Statement:** SZ DJI Osmo Technology Co., Ltd. hereby declares that this device is in compliance with the essential requirements and other relevant provisions of the Directive 2014/53/EU.

A copy of the EU Declaration of Conformity is available online at [www.dji.com/euro-compliance](http://www.dji.com/euro-compliance)

EU contact address: DJI GmbH, Industriestrasse 12, 97618, Niederlauer, Germany

**Declaración de cumplimiento UE:** SZ DJI Osmo Technology Co., Ltd. por la presente declara que este dispositivo cumple los requisitos básicos y el resto de provisiones relevantes de la Directiva 2014/53/EU.

Hay disponible online una copia de la Declaración de conformidad UE en [www.dji.com/euro-compliance](http://www.dji.com/euro-compliance)

Dirección de contacto de la UE: DJI GmbH, Industriestrasse 12, 97618, Niederlauer, Germany

**EU-verklaring van overeenstemming:** SZ DJI Osmo Technology Co., Ltd. verklaart hierbij dat dit apparaat voldoet aan de essentiële vereisten en andere relevante bepalingen van Richtlijn 2014/53/EU.

De EU-verklaring van overeenstemming is online beschikbaar op [www.dji.com/euro-compliance](http://www.dji.com/euro-compliance)

Contactadres EU: DJI GmbH, Industriestrasse 12, 97618, Niederlauer, Germany

**Declaração de conformidade da UE:** A SZ DJI Osmo Technology Co., Ltd. declara, através deste documento, que este dispositivo está em conformidade com os requisitos essenciais e outras disposições relevantes da Diretiva 2014/53/EU.

Existe uma cópia da Declaração de conformidade da UE disponível online em [www.dji.com/euro-compliance](http://www.dji.com/euro-compliance)


Endereço de contacto na UE: DJI GmbH, Industriestrasse 12, 97618, Niederlauer, Germany

**Dichiarazione di conformità UE:** SZ DJI Osmo Technology Co., Ltd. dichiara che il presente dispositivo è conforme ai requisiti essenziali e alle altre disposizioni rilevanti della direttiva 2014/53/EU.

Una copia della dichiarazione di conformità UE è disponibile online all'indirizzo Web [www.dji.com/euro-compliance](http://www.dji.com/euro-compliance)

Indirizzo di contatto UE: DJI GmbH, Industriestrasse 12, 97618, Niederlauer, Germany

**Déclaration de conformité UE :** Par la présente, SZ DJI Osmo Technology Co., Ltd. déclare que cet appareil est conforme aux principales exigences et autres clauses pertinentes de la directive européenne 2014/53/EU.

Une  copie de la déclaration de conformité UE est disponible sur le site [www.dji.com/euro-compliance](http://www.dji.com/euro-compliance)

Adresse de contact pour l'UE : DJI GmbH, Industriestrasse 12, 97618, Niederlauer, Germany

**EU-Compliance:** Hiermit erklärt SZ DJI Osmo Technology Co., Ltd., dass dieses Gerät den wesentlichen Anforderungen und anderen einschlägigen Bestimmungen der EU-Richtlinie 2014/53/EU entspricht.

Eine Kopie der EU-Konformitätserklärung finden Sie online auf [www.dji.com/euro-compliance](http://www.dji.com/euro-compliance).

Kontaktadresse innerhalb der EU: DJI GmbH, Industriestrasse 12, 97618, Niederlauer, Germany



CAUTION: RISK OF EXPLOSION IF BATTERY IS REPLACED BY AN INCORRECT TYPE. DISPOSE OF USED BATTERIES ACCORDING TO THE INSTRUCTIONS



### Environmentally friendly disposal



Electrical appliances must not be disposed of together with the residual waste, but have to be disposed of separately. The disposal at the communal collecting point via private persons is for free. The owner of old appliances is responsible to bring the appliances to these collecting points or to similar collection points. With this little personal effort, you contribute to recycle valuable raw materials and the treatment of toxic substances.

### Umweltfreundliche Entsorgung



Elektro-Altgeräte dürfen nicht mit gewöhnlichem Abfall entsorgt werden und müssen separat entsorgt werden. Die Entsorgung an kommunalen Sammelstellen ist für Privatpersonen kostenlos. Die Eigentümer der Altgeräte sind für den Transport zu den Sammelstellen verantwortlich. Durch diesen geringen Aufwand können Sie zur Wiederverwertung von wertvollen Rohmaterialien beitragen und dafür sorgen, dass umweltschädliche und giftige Substanzen ordnungsgemäß unschädlich gemacht werden.

### Tratamiento de residuos responsable con el medio ambiente



Los aparatos eléctricos viejos no pueden desecharse junto con los residuos orgánicos, sino que deben ser desechados por separado. Existen puntos limpios donde los ciudadanos pueden dejar estos aparatos gratis. El propietario de los aparatos viejos es responsable de llevarlos a estos puntos limpios o similares puntos de recogida. Con este pequeño esfuerzo estás contribuyendo a reciclar valiosas materias primas y al tratamiento de residuos tóxicos.

### Mise au rebut écologique



Les appareils électriques usagés ne doivent pas être éliminés avec les déchets résiduels. Ils doivent être éliminés séparément. La mise au rebut au point de collecte municipale par l'intermédiaire de particuliers est gratuite. Il incombe au propriétaire des appareils usagés de les apporter à ces points de collecte ou à des points de collecte similaires. Avec ce petit effort personnel, vous contribuez au recyclage de matières premières précieuses et au traitement des substances toxiques.

### Smaltimento ecologico



I vecchi dispositivi elettrici non devono essere smaltiti insieme ai rifiuti residui, ma devono essere smaltiti separatamente. Lo smaltimento da parte di soggetti privati presso i punti di raccolta pubblici è gratis. È responsabilità del proprietario dei vecchi dispositivi portarli presso tali punti di raccolta o punti di raccolta analoghi. Grazie a questo piccolo impegno personale contribuirete al riciclo di materie prime preziose e al corretto trattamento di sostanze tossiche.

### Milieuvriendelijk afvoeren



Oude elektrische apparaten mogen niet worden weggegooid samen met het restafval, maar moeten afzonderlijk worden afgevoerd. Afvoeren via het gemeentelijke inzamelpunt is gratis voor particulieren. De eigenaar van oude toestellen is verantwoordelijk voor het inleveren van de apparaten op deze of vergelijkbare inzamelpunten. Met deze kleine persoonlijke inspanning lever je een bijdrage aan de recycling van waardevolle grondstoffen en de verwerking van giftige stoffen.

### Eliminação ecológica



Os aparelhos elétricos antigos não podem ser eliminados juntamente com os materiais residuais. Têm de ser eliminados separadamente. A eliminação no ponto de recolha público através de entidades particulares é gratuita. É da responsabilidade do proprietário de aparelhos antigos levá-los a estes pontos de recolha ou a pontos de recolha semelhantes. Com este pequeno esforço pessoal, contribui para a reciclagem de matérias-primas úteis e para o tratamento de substâncias tóxicas.

### Thailand Warning message

เครื่องโทรคมนาคมและอุปกรณ์นี้มีความสอดคล้องตามข้อกำหนดของกทท.

### Mexico Warning message

“La operación de este equipo está sujeta a las siguientes dos condiciones: (1) es posible que este equipo o dispositivo no cause interferencia perjudicial y (2) este equipo o dispositivo debe aceptar cualquier interferencia, incluyendo la que pueda causar su operación no deseada.”

### UAE logo requirements

The characters shall appear in black print against a white background.

No character shall be less than 2mm in height.

The letters “TRA” shall be atleast 3mm in height.

