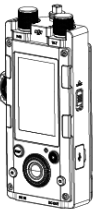

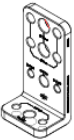
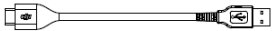




In the Box

Force Pro × 1	Antenna × 2
	
Adapter × 1	USB-C Cable × 1
	
Screw × 2	User Guide × 1
	

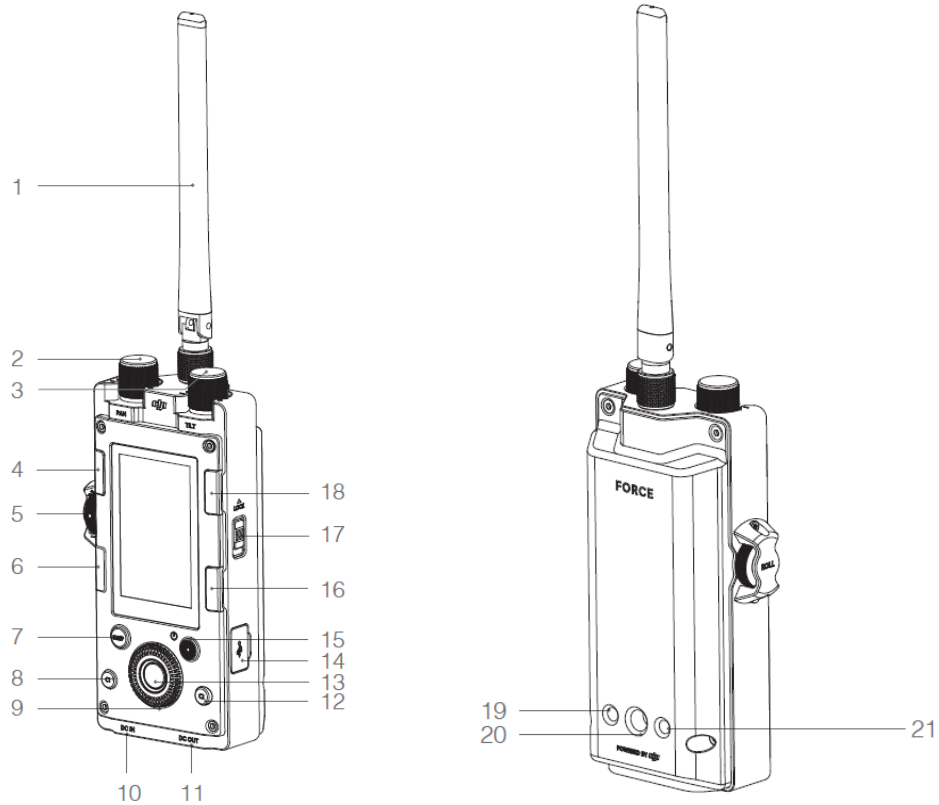
Introduction

Employing industry-leading communication technologies and control algorithms, the Force Pro is a camera movement control system that allows operators to control gimbals remotely with incredible accuracy. By precisely synchronizing operator movement with camera movement, the Force Pro allows operators to masterfully capture complicated shots more intuitively than ever.

Force Pro supports dual-frequency 2.4 GHz and 5.8 GHz wireless transmission. It also supports a wired connection, which can prevent interference with other equipment on a film set.

The screen and buttons make it easy to set up parameters on the Force Pro and gimbal. Featuring a 4750 mAh battery that offers up to 5 hours of operating time, the Force Pro has enough power for an entire shoot.

The Force Pro is currently only compatible with the Ronin 2, with support for more devices coming soon. It can be mounted on a tripod or used handheld with the adapter.

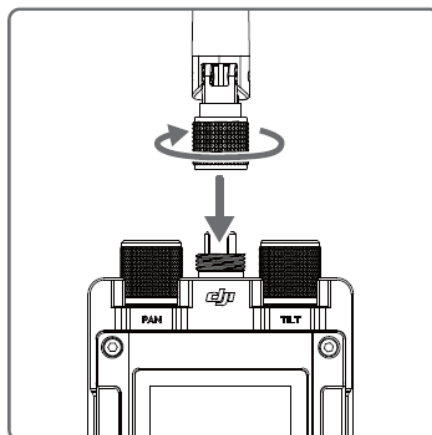


1. Antenna
Relays control signals. Do not obstruct the antenna.
2. Pan axis speed control knob
Turn this to adjust the maximum speed of the pan axis. Set the value to 65 to equalize the speed of the gimbal and Force Pro.
3. Tilt axis speed control knob
Turn this to adjust the maximum speed of the tilt axis. Set the value to 65 to equalize the speed of the gimbal and Force Pro.
4. Mounting mode
Press this button to select a mounting mode.
5. Roll axis speed control knob
Turn this to adjust the maximum speed of the roll axis. Set the value to 65 to equalize the speed of the gimbal and Force Pro.
6. Back button
Press once to go back to the previous menu.
7. Sleep button
Press and hold the button to enable and disable sleep mode. The Force Pro is unable to control the gimbal while in sleep mode.
8. C1 button
Customizable button.
9. Jog wheel
Rotate to select options.
10. DC IN port

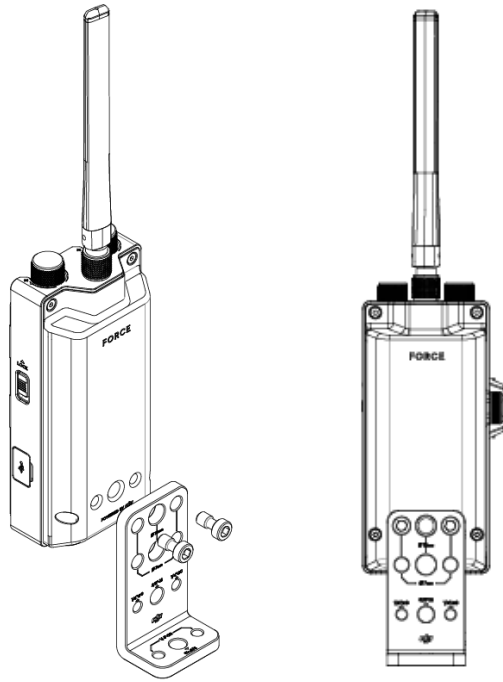
- Supports 9 V-26 V DC input
11. DC OUT port
Supports 5 V DC output with communication function.
 12. C2 button
Customizable button.
 13. OK button
Press once to confirm an option.
 14. USB-C Port
Charge and update the firmware of the Force Pro.
 15. Power/record button
Press to turn on/off the Force Pro (press and hold for eight seconds to turn it off mandatorily).
Press once to check the battery level when powered off. Press once to start/stop recording video when powered on.
 16. Toggle button
Press once to toggle between the submenus.
 17. Lock button
Lock the Force Pro to avoid accidental operation.
 18. Follow mode button
Selects Follow mode.
 19. Mounting hole 1
1/4"-20 thread with a 10 mm depth.
 20. Mounting hole 2
3/8"-16 thread with a 10 mm depth.
 21. Mounting hole 3
1/4"-20 thread with a 10 mm depth.

Installation

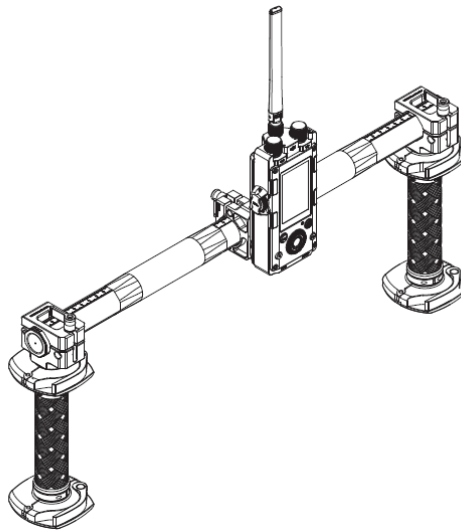
Attach the antenna to the Force Pro and then tighten the securing knob.



The Force Pro can be used handheld or mounted on a tripod with the provided adapter. First, attach the adapter using the provide screws and tighten.



Then attach the Force Pro to the handle as shown. A Ronin 2 monitor adapter (sold separately) is needed during installation.



Activation


Press and hold on the power button to turn on the Force Pro. Activation is required when using it for the first time.

Download the DJI Assistant 2 software, and then connect the Force Pro to your computer. Launch DJI Assistant 2 and follow the on-screen instructions to activate your Force Pro.


3. Pan lock mode

 : Pan motor powered off.

4. Motor pause

 : Motor powered off.

5. Follow mode

 : Free mode.


 : Follow mode.

 : FPV mode.

 : Recenter mode.

Select Free mode when using the Force Pro.


6. Working battery number

 **2** : Shows the number of batteries currently in use by the Ronin 2. The Ronin 2 can operate with one or two batteries.


7. Battery level

60% : Displays the current battery level of the Ronin 2.

8. Remote controller signal strength

 : Displays the remote controller signal strength.

9. Calibration notice

 : Compass calibration is required.

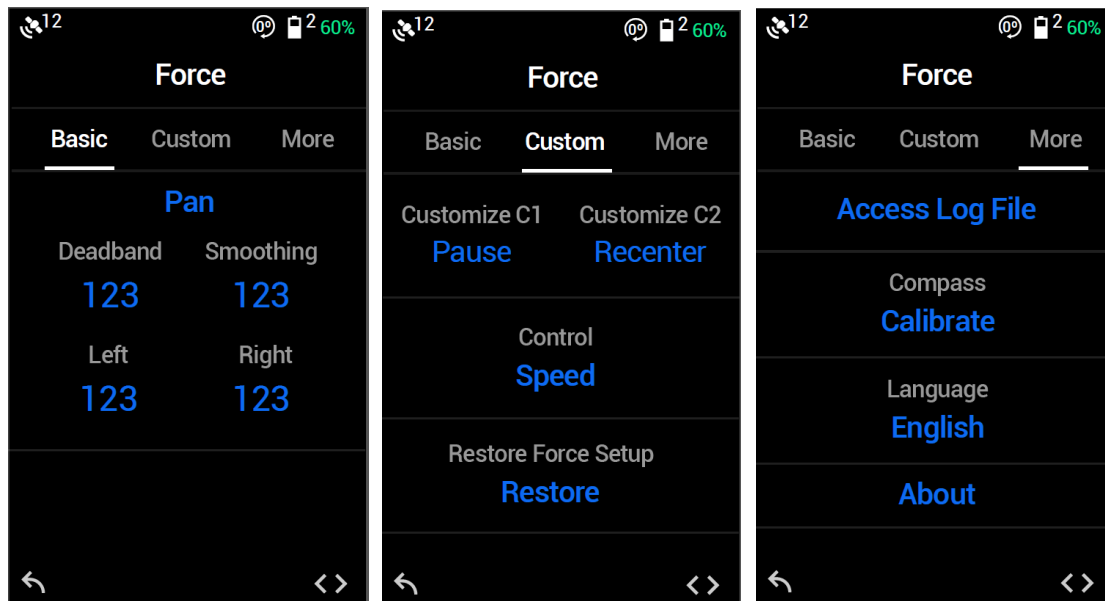
10. Force Pro battery level

50% : Displays the current battery level of the Force Pro.

11. Axes control speed display

Displays the control speed for the three axes.

Force Pro settings



Basic

The Deadband, Smoothing, and Endpoints settings for the pan, roll, and tilt axes can be independently adjusted. The default endpoint settings for pan axis are set to 180°, which means there is no endpoint for the pan axis, allowing it to rotate 360° continuously.

Custom

Customized functions for the C1 and C2 buttons: Includes Pause, Recenter, Ronin 2 Pause, and Control mode options.

Control mode: Includes Speed and Position settings.

Restore force setup: Restores the Force Pro to its default settings.

More

Access log file: Internal storage is built into the Force Pro for recording data. If the gimbal is acting abnormally, contact DJI Support. If the provided solutions are not successful, DJI Support will request log files for further analysis. Access log files only when instructed to do so by a DJI support specialist.

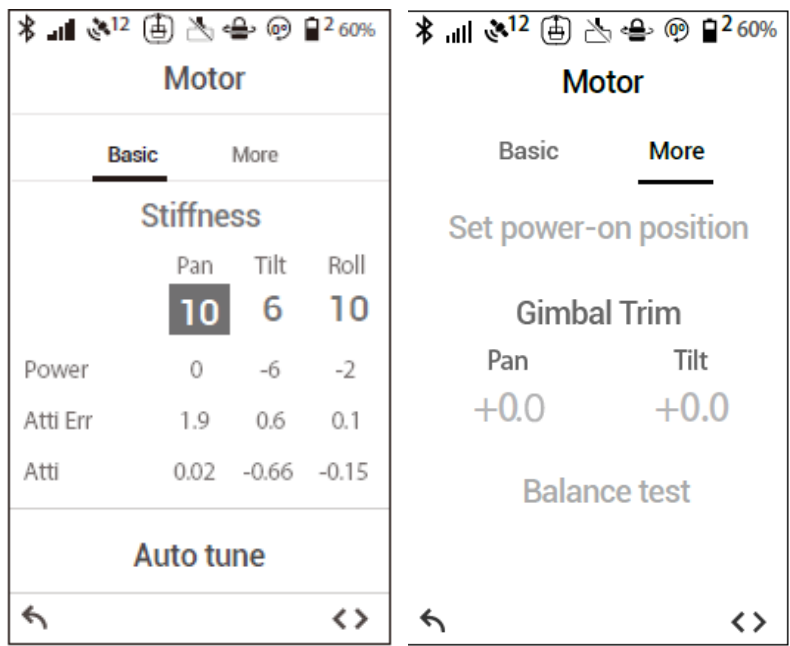
Compass Calibration: If errors occur with the compass, select “Calibrate” and then follow the onscreen instructions to calibrate the compass.

Language: Languages can be switched between English and Chinese.

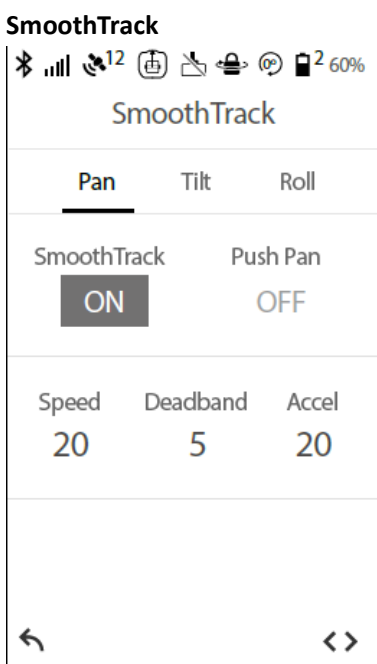
About: Displays the SN number and the firmware version of your Force Pro.

Gimbal settings

Motor

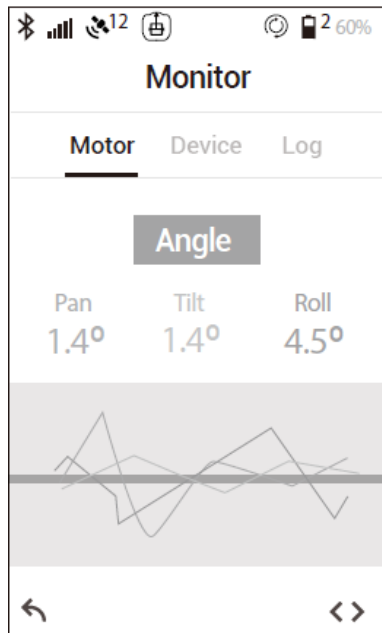


Basic: The Auto tune, Stiffness, Strength, Filter, and Control values for the tilt, roll, and pan axes can be set independently. Refer to the Ronin 2 user manual for details.
 More: Set power-on position, fine tune the pan or tilt axis, and test the balance for three axes.



Settings for the pan, roll, and tilt axes can be set independently.

Monitor

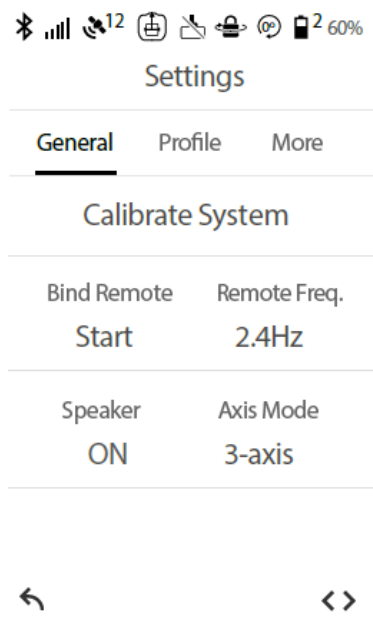


Motor: Displays the power, angle, and temperature of the motors.

Device: Displays the connection status with other devices.

Log: Displays any abnormal status information of the gimbal.

System Settings



General: Includes the Calibrate System, Binding, operating Wi-Fi frequencies and gimbal working modes.

Profile: Custom motor configurations can be saved or reset to default settings.

Camera Page

Control camera recording and various other supported settings when a camera control cable is attached.

Charging

Use the provided USB-C cable to charge the Force Pro.

Connect the DC IN port during usage to power the Force Pro. Connect the DC OUT port to use the Force Pro to power the connected device.

Updating Firmware

Connect the USB-C port on the Force Pro and the DJI Assistant 2 and follow the onscreen instructions to update the firmware.

Specifications

Power consumption	3 W
Voltage	3.85 V
Battery Capacity/Energy	4750 mAh/18.21 Wh
Operating Temperature	-4° F to 140 ° F (-20° to 60° C)
Charging Temperature	32° F to 113° F (0° to 45° C)
Operating Time	5 hours
Charging Current	2 A
Charging Time	2.5 hours
DC IN	9 V-26 V
DC OUT	5 V/1 A

FCC Compliance Notice

This device complies with Part 15 of the FCC Rules. Operation is subject to the following two conditions: (1) This device may not cause harmful interference, and (2) This device must accept any interference received, including interference that may cause undesired operation.

Any changes or modifications not expressly approved by the party responsible for compliance could void the user's authority to operate the equipment.

This equipment has been tested and found to comply with the limits for a Class B digital device, pursuant to part 15 of the FCC Rules. These limits are designed to provide reasonable protection against harmful interference in a residential installation. This equipment generates, uses and can radiate radio frequency energy and, if not installed and used in accordance with the instructions, may cause harmful interference to radio communications. However, there is no guarantee that interference will not occur in a particular installation. If this equipment does cause harmful interference to radio or television reception, which can be determined by turning the equipment off and on, the user is encouraged to try to correct the interference by one or more of the following measures:

- Reorient or relocate the receiving antenna.
- Increase the separation between the equipment and receiver.
- Connect the equipment into an outlet on a circuit different from that to which the receiver is connected.
- Consult the dealer or an experienced radio/TV technician for help.

RSS warning

This device complies with ISED licence-exempt RSS standard (s). Operation is subject to the following two conditions: (1) this device may not cause interference, and (2) this device must accept any interference, including interference that may cause undesired operation of the device.

Le présent appareil est conforme aux CNR d'ISED licenciables aux appareils radio exempts de licence.

L'exploitation est autorisée aux deux conditions suivantes:

- (1) l'appareil ne doit pas produire de brouillage, et
- (2) l'utilisateur de l'appareil doit accepter tout brouillage radioélectrique subi, même si le brouillage est susceptible d'en compromettre le fonctionnement.

SAR tests are conducted using standard operating positions accepted by the FCC/ISED with the device transmitting at its highest certified power level in all tested frequency bands, although the SAR is determined at the highest certified power level, the actual SAR level of the device while operating can be well below the maximum value. Before a new model is available for sale to the public, it must be tested and certified to the FCC/ISED that it does not exceed the exposure limit established by the FCC/ISED. Tests for each product are performed in positions and locations as required by the FCC/ISED.

For body worn operation, this device has been tested and meets the FCC/ISED RF exposure guidelines when used with an accessory designated for this product or when used with an accessory that contains no metal.

Non-compliance with the above restrictions may result in violation of RF exposure guidelines.