
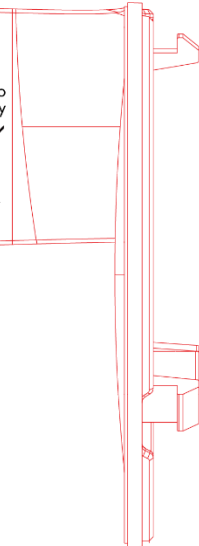


dji DJI OM 5 Model/型号: OE100 SZ DJI OSMO TECHNOLOGY CO.,LTD. 深圳市大疆灵眸科技有限公司
 CAN ICES-003(B)/NMB-003(B) BATTERY: 1000mAh, 7.74Wh INPUT: 5V --- 2A
 FCC ID: 2ANDR-OE1002105 IC: 23060-OE1002105

This device complies with part 15 of the FCC Rules. Operation is subject to the following two conditions: (1) This device may not cause harmful interference, and (2) this device must accept any interference received, including interference that may cause undesired operation.

CE UK CA KC BC EAC R-R-osm-OE100 



ANATEL
 XXXXX-XX-XXXXXX
 XXXXX-XX-XXXXXX

Made in China/中国制造 

 **R** xxx-xxxxxx
 CMIIT ID: xxxxxxxxx
 xxxxxxxxxxxxxxxxx