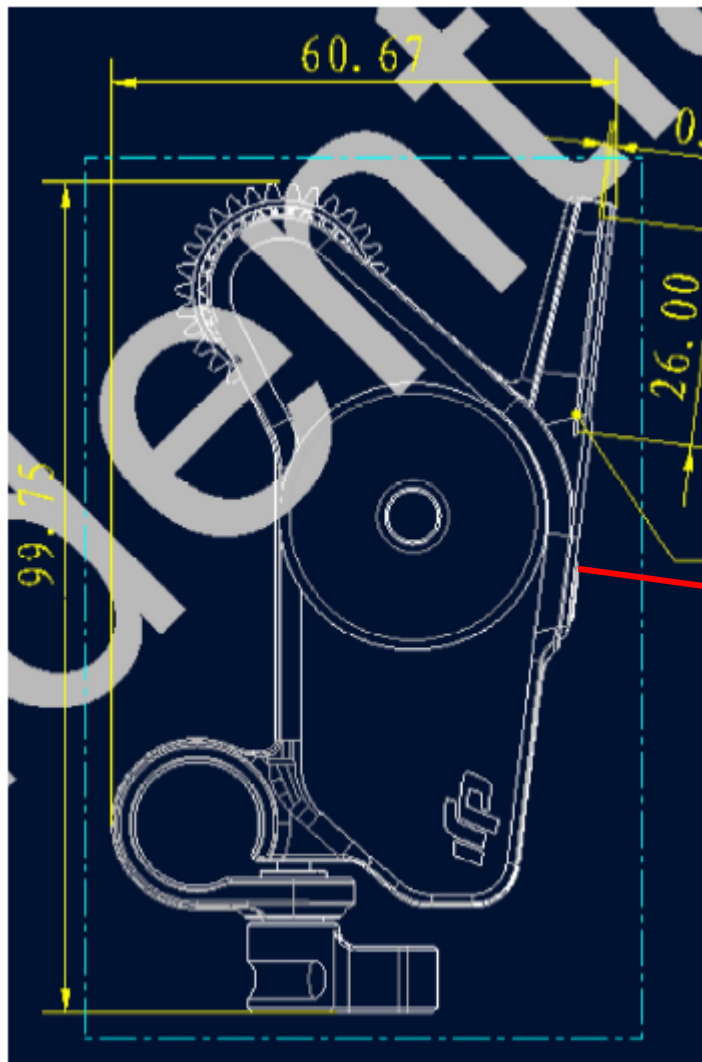
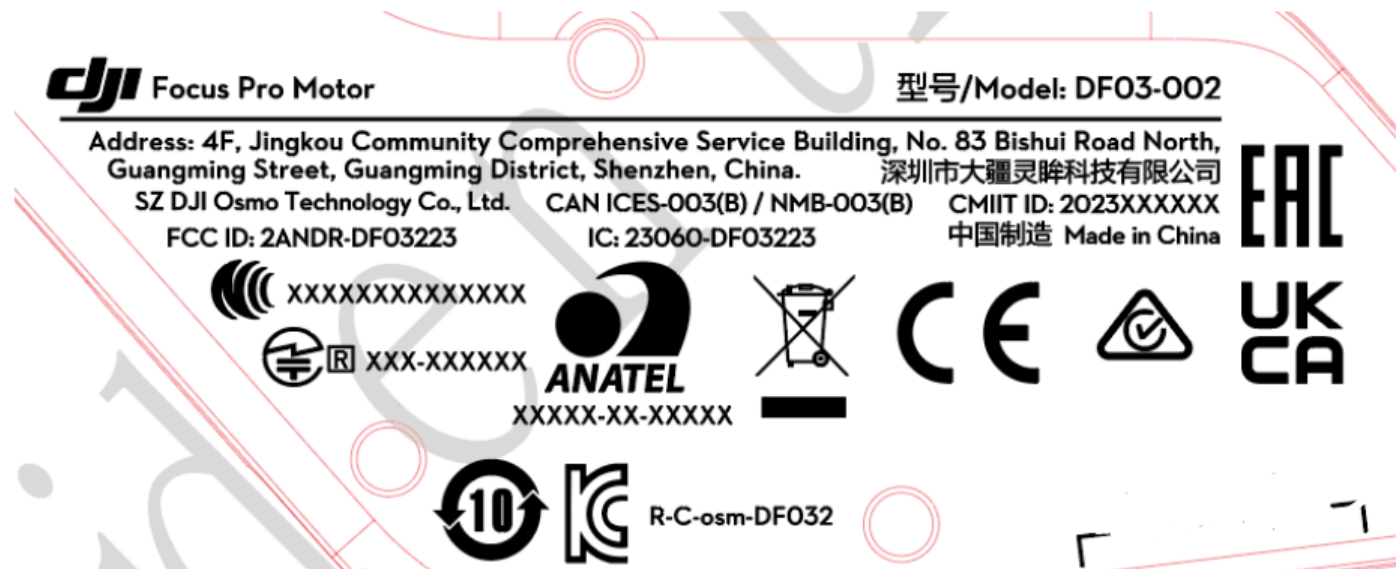


Label location



This label will be pasted at the bottom of this device

Note: The label will be engraved on the outer surface of the device.