



# ZTC Module Datasheet

Version: 20220620

## Contents

<b>1</b>	<b>Overview</b>	<b>2</b>
1.1	Features . . . . .	2
1.2	Applications . . . . .	2
1.3	Change history . . . . .	2
<b>2</b>	<b>Module interfaces</b>	<b>4</b>
2.1	Dimensions and package . . . . .	4
2.2	Pin definition . . . . .	5
<b>3</b>	<b>Electrical parameters</b>	<b>8</b>
3.1	Absolute electrical parameters . . . . .	8
3.2	Normal working conditions . . . . .	8
3.3	TX and RX power consumption . . . . .	9
3.4	Operating current . . . . .	9
<b>4</b>	<b>RF parameters</b>	<b>11</b>
4.1	Basic RF features . . . . .	11
4.2	TX performance . . . . .	11
4.3	RX performance . . . . .	12
<b>5</b>	<b>Requirements on power-on sequence</b>	<b>13</b>
<b>6</b>	<b>Antenna information</b>	<b>15</b>
6.1	Antenna type . . . . .	15
6.2	Antenna interference reduction . . . . .	15
<b>7</b>	<b>Packaging information and production instructions</b>	<b>16</b>
7.1	Mechanical dimensions . . . . .	16
7.2	Side view . . . . .	17
7.3	The schematic diagram of footprint . . . . .	17
7.4	The diagram of PCB footprint . . . . .	18
7.5	Production instructions . . . . .	18
7.6	Recommended oven temperature curve . . . . .	20
7.7	Storage conditions . . . . .	22

<b>8</b>	<b>MOQ and packaging information</b>	<b>23</b>
<b>9</b>	<b>Appendix: Statement</b>	<b>24</b>



ZTC is a Zigbee module that Tuya has developed. It consists of a highly integrated RF processor chip (Z2) and a few peripherals. ZTC is embedded with a low-power 32-bit CPU, 1024-KB flash memory, 64-KB RAM, and rich peripherals.

## 1 Overview

Based on ZTC, customers can develop Zigbee products as required.

### 1.1 Features

- Embedded with low-power 32-bit CPU and ARM Cortex-M33 processor
- The clock rate: 48 MHz
- Wide operating voltage: 1.8 (2.8V or higher is recommended) to 3.6 V
- Peripherals: 5 GPIOs, 1 UART
- Zigbee connectivity
  - Support 802.15.4 MAC/PHY
  - Working channels 11 to 26 @2.400 to 2.483 GHz, air interface rate: 250 Kbps
  - Up to +10dBm output power and dynamic output power > 35 dB
  - Built in with a monopole antenna
  - Monopole antenna with a gain of 2.5 dBi
  - Operating temperature: -40°C to 105°C
  - Support hardware encryption and AES 128

### 1.2 Applications

- Intelligent building
- Smart household and home appliances
- Smart socket and light
- Industrial wireless control
- Baby monitor
- Intelligent bus

### 1.3 Change history

---

Date	Updated content	Version after update
6/16/2022	This is the first release.	V1.0.0

---

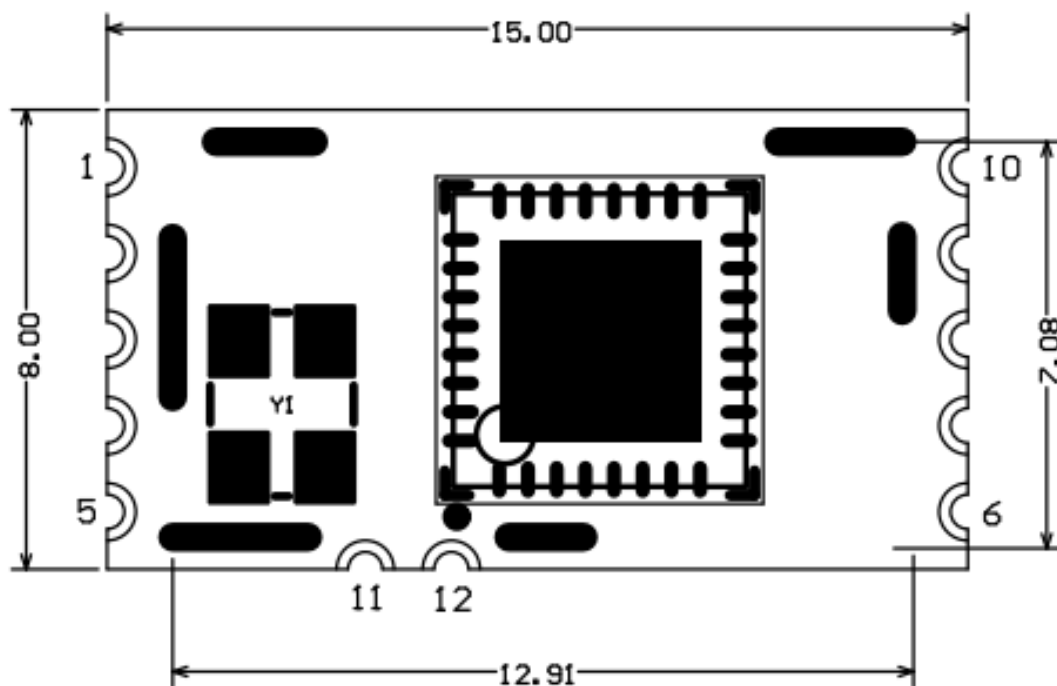
## 2 Module interfaces

### 2.1 Dimensions and package

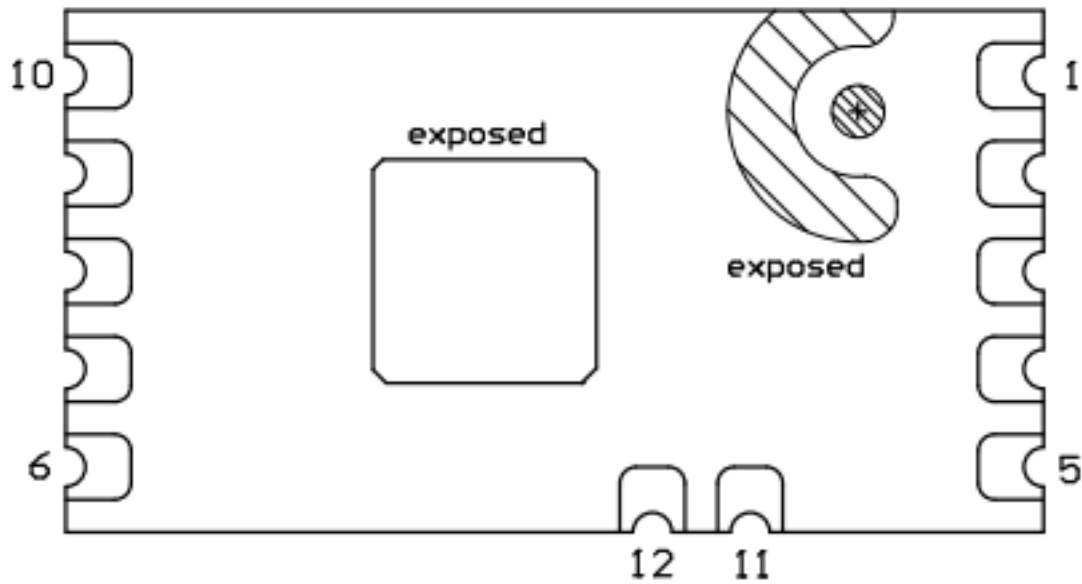
ZTC has two rows of pins with a spacing of  $1.5 \pm 0.1$  mm.

The ZTC dimensions are  $15 \pm 0.35$  mm (L)  $\times$   $8 \pm 0.35$  mm (W)  $\times$   $3 \pm 0.15$  mm (H).

The dimensions of ZTC are as follows:



Top View



## Bottom View

### 2.2 Pin definition

Pin number	Symbol	I/O type	Function
2	RXD	I/O	Uart_RXD, which corresponds to B7 (Pin 17) on the internal IC
3	TXD	I/O	Uart_TXD, which corresponds to B1 (Pin 6) of the IC
4	C2	I/O	Support hardware PWM and correspond to C2 (Pin 22) on the internal IC



Pin number	Symbol	I/O type	Function
5	C3	I/O	Support hardware PWM and correspond to C3 (Pin 23) on the internal IC
6	D2	I/O	Support hardware PWM and correspond to D2 (Pin 31) on the internal IC
7	B4	I/O	Support hardware PWM and correspond to B4 (Pin 14) on the internal IC
8	B5	I/O	Support hardware PWM and correspond to B5 (Pin 15) on the internal IC
9	GND	P	Power supply reference ground
10	3V3	P	Power supply pin of the module (The typical power supply voltage: 3.3V)
11	SWS	I/O	Burning pin, which corresponds to SWS (Pin 5) on the internal IC

---

Pin number	Symbol	I/O type	Function
12	RST	I	Hardware reset pin; by default, high level, low active

---

**Note:** P indicates a power supply pin and I/O indicates an input/output pin.

### 3 Electrical parameters

#### 3.1 Absolute electrical parameters

Parameter	Description	Minimum value	Maximum value	Unit
Ta	Operating temperature	-40	105	°C
V <sub>BAT</sub>	Power supply voltage	1.8 (2.8V or higher is recommended)	3.6	V
ESD voltage (human body model)	TAMB-25°C	-	2	KV
ESD voltage (machine model)	TAMB-25°C	-	0.5	KV

#### 3.2 Normal working conditions

Parameter	Description	Minimum value	Typical value	Maximum value	Unit
Ta	Operating temperature	-40	-	105	°C
VCC	Operating voltage	1.8 (2.8V or higher is recommended)	3.3	3.6	V
VIL	I/O low level input	-	-	VDD*0.3	V
VIH	I/O high level input	VDD*0.7	-	-	V

Parameter	Description	Minimum value	Typical value	Maximum value	Unit
VOL	I/O low level output	-	-	VDD*0.2	V
VOH	I/O high level output	VDD*0.8	-	-	V

### 3.3 TX and RX power consumption

Working status	Mode	Rate	Transmit power/receive	Average value	Peak value (Typical value)	Unit
Transmit	-	250 Kbps	+0 dBm	4.8	23	mA
Transmit	-	250 Kbps	+10 dBm	9.15	39	mA
Receive	-	250 Kbps	Constantly receive	7.35	7.39	mA

### 3.4 Operating current

Working mode	Working status, Ta = 25°C	Average value	Maximum value (Typical value)	Unit
Quick connection network state	The module is in the fast network connection state	9.15	9.49	mA
Connected	The module is connected to the network	9	9.2	mA

Working mode	Working status, Ta = 25°C	Average value	Maximum value (Typical value)	Unit
Deep sleep mode	Deep sleep mode, reserve 32-KB SRAM	2.8	-	uA

## 4 RF parameters

### 4.1 Basic RF features

Parameter	Description
Working frequency	2.405 to 2.480 GHz
Zigbee standard	IEEE 802.15.4
Data transmission rate	250 Kbps
Antenna type	monopole antenna with a gain of 2.5 dBi

### 4.2 TX performance

TX performance

Parameter	Minimum value	Typical value	Maximum value	Unit
Maximum output power (250Kbps)	-	10	-	dBm
Minimum output power (250Kbps)	-	-25	-	dBm
Output power adjustment stepping	-	0.5	1	dBm
Output spectrum adjacent channel suppression	-	-31	-	dBc
Frequency error	-10	-	10	ppm

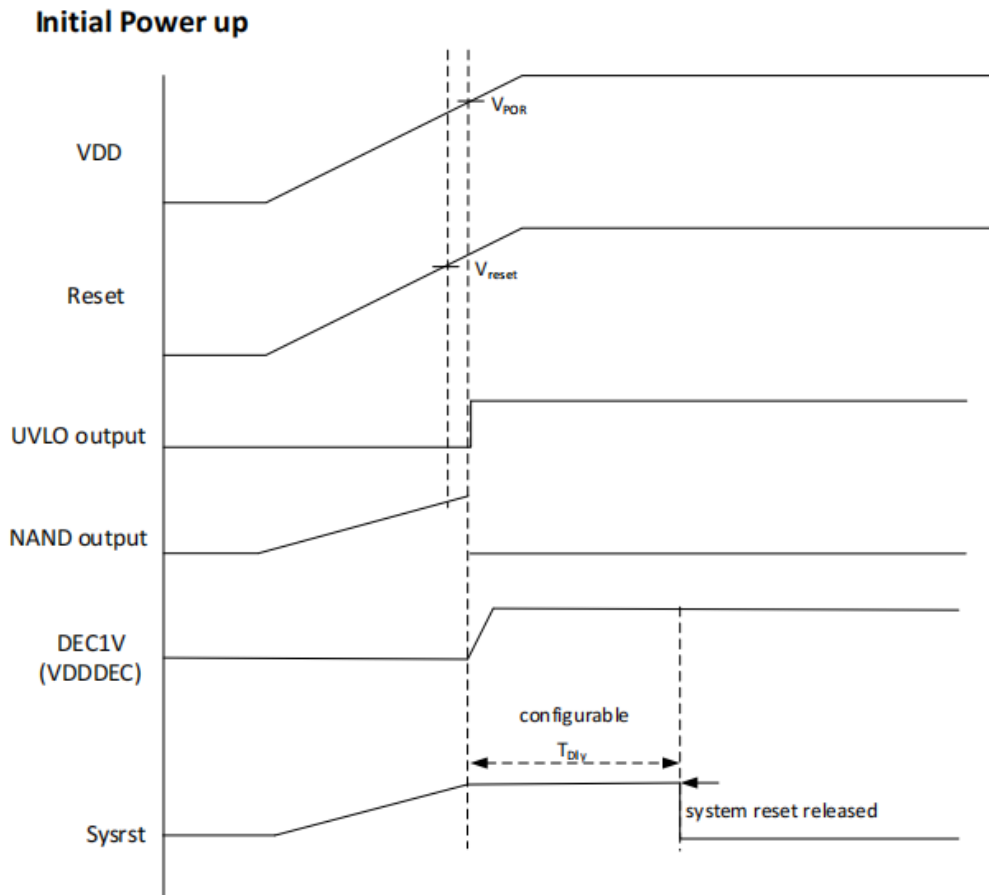
### 4.3 RX performance

#### RX sensitivity

Parameter	Minimum value	Typical value	Maximum value	Unit
PER<8%, RX sensitivity (250 Kbps)	-102	-101	-99	dBm

## 5 Requirements on power-on sequence

Figure 2-4 Initial Power-up sequence

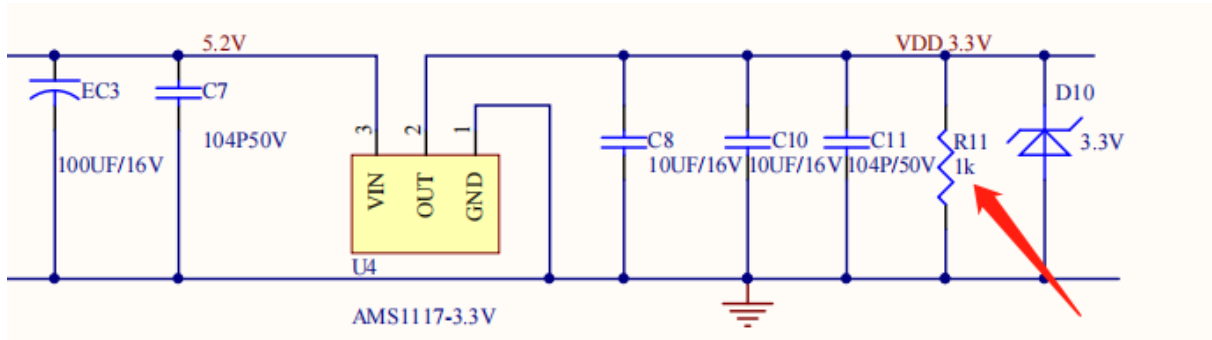


Symbol	Parameter	Min.	Typ.	Max.	Unit
$V_{POR}$	VDD voltage when $V_{UVLO}$ turns to high level		1.62		V
$V_{Pdn}$	VDD voltage when $V_{UVLO}$ turns to low level		1.55		V
Supply rise time (from 1.6V to 1.8V)	$t_r$		10	ms	

The Z2 chip has requirements on the power-on sequence. During the power-on process, the system starts when the RST pin reaches 1.62V. At this time, the VCC needs to reach more than 1.8V within 10ms. Because the RST pin has the RC link, the VCC of the bare module is much more than 1.8V when the RST reaches 1.62V. In some cases that the large capacitance in the power driver connected to the Z2 chip module charges or discharges, if the module voltage is not fully discharged



below 0.6V, the module will probably crash when it is restarted. It is required that the power supply pin VCC\_3.3V of the module needs to be connected with a dummy load of 1K to release power quickly. You can refer to the following figure which shows parts of power-driven links.



## 6 Antenna information

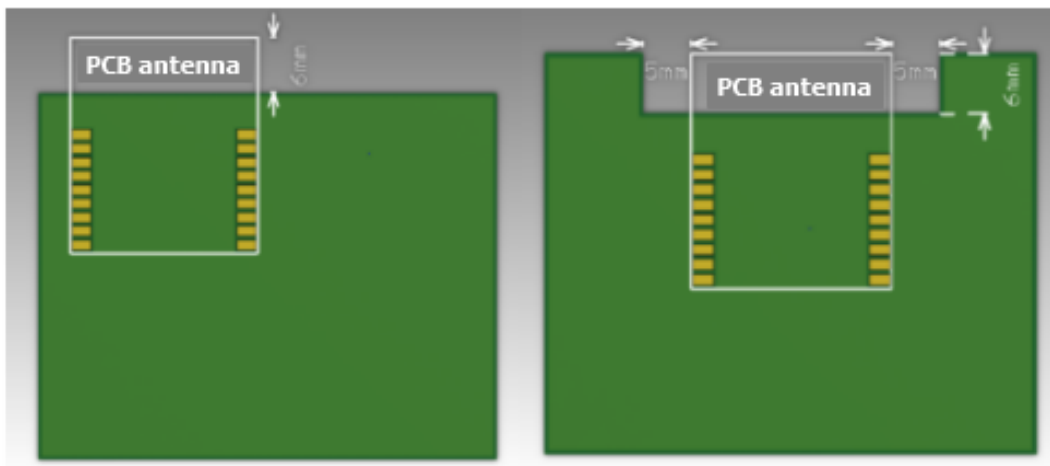
### 6.1 Antenna type

ZTC only uses the monopole antenna.

### 6.2 Antenna interference reduction

To ensure the optimal Zigbee performance when the Zigbee module uses an onboard PCB antenna, it is recommended that the antenna be at least 15 mm away from other metal parts.

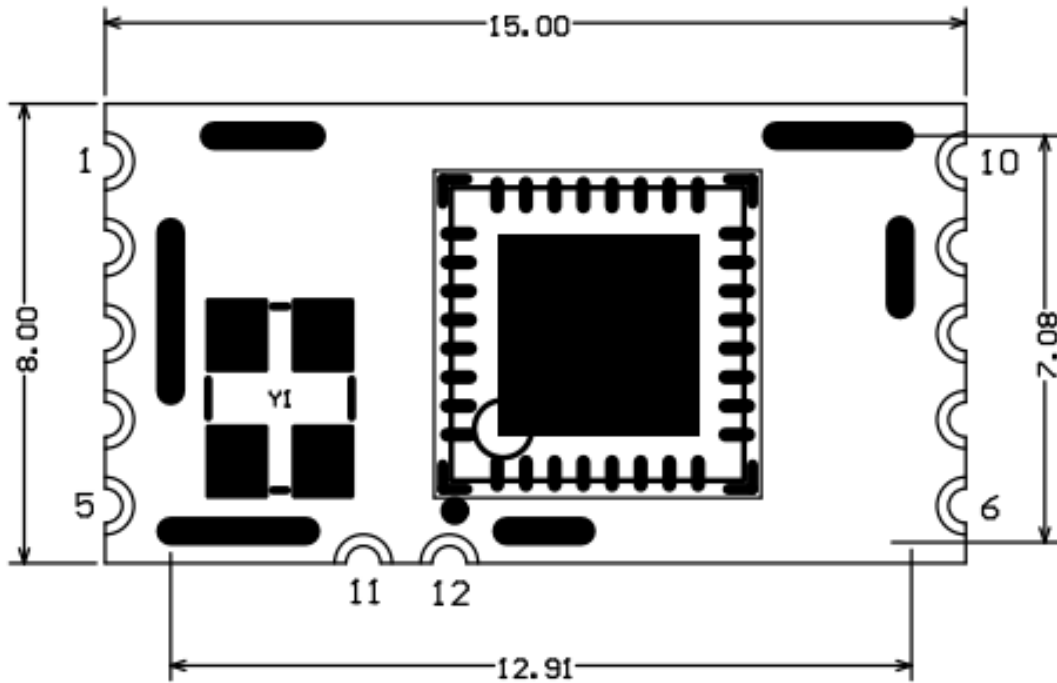
To prevent an adverse impact on the antenna radiation performance, avoid copper or traces along the antenna area on the PCB.



## 7 Packaging information and production instructions

### 7.1 Mechanical dimensions

The PCB dimensions are  $15 \pm 0.35$  mm (L)  $\times$   $8 \pm 0.35$  mm (W)  $\times$   $0.8 \pm 0.1$  mm (H).



Top View

### 7.2 Side view



Unit: mm

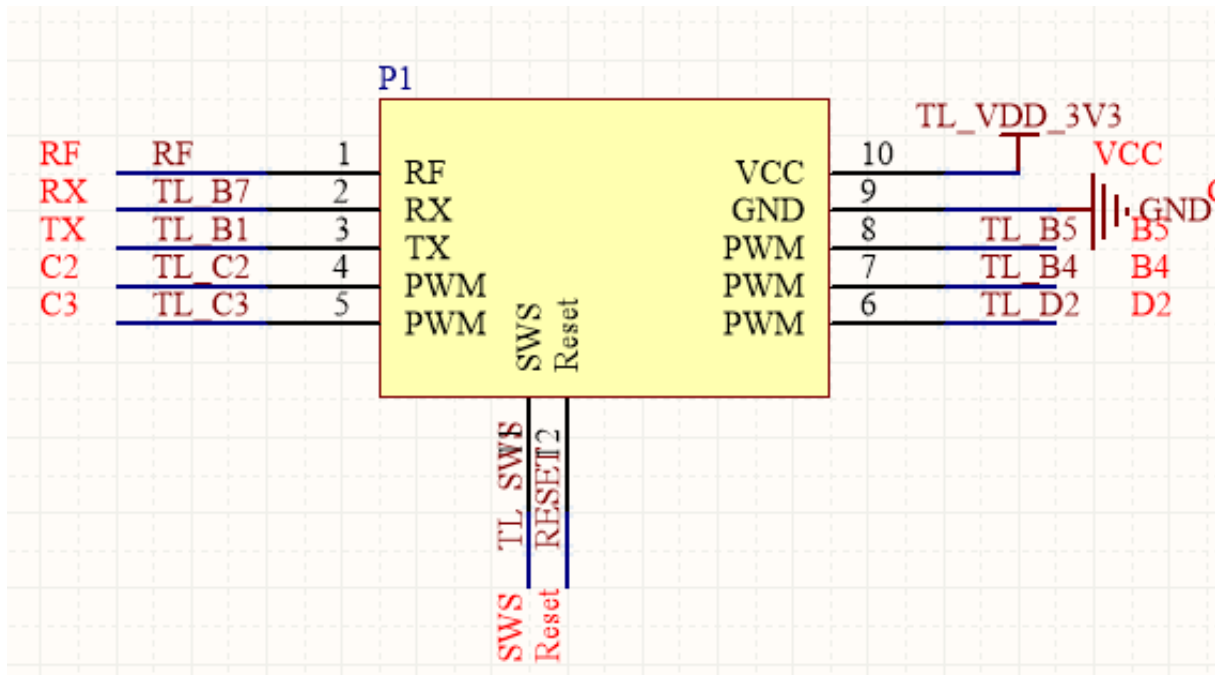
Module form factor tolerance:  $\pm 0.35\text{mm}$

PCB thickness tolerance:  $\pm 0.1\text{mm}$

Shield cover height tolerance:  $\pm 0.05\text{mm}$

Side View

### 7.3 The schematic diagram of footprint





- Reflow soldering machine
- Thermal profiler
- Automated optical inspection (AOI) equipment
- Baking devices:
  - Cabinet oven
  - Anti-electrostatic and heat-resistant trays
  - Anti-electrostatic and heat-resistant gloves

## 2. Storage conditions for a delivered module:

- The moisture-proof bag must be placed in an environment where the temperature is below 40°C and the relative humidity is lower than 90%.
- The shelf life of a dry-packaged product is 12 months from the date when the product is packaged and sealed.
- There is a humidity indicator card (HIC) in the packaging bag.

```
1 ! [HIC-SMT module.png] (https://airtake-public-data-1254153901.cos.ap
2 -shanghai.myqcloud.com/goat/20210410/48793a0e11ea40d4839db36535e47bf
3 5.png)
```

## 3. The module needs to be baked in the following cases:

- The packaging bag is damaged before unpacking.
- There is no HIC in the packaging bag.
- After unpacking, circles of 10% and above on the HIC become pink.
- The total exposure time has lasted for over 168 hours since unpacking.
- More than 12 months has passed since the sealing of the bag.

## 4. Baking settings:

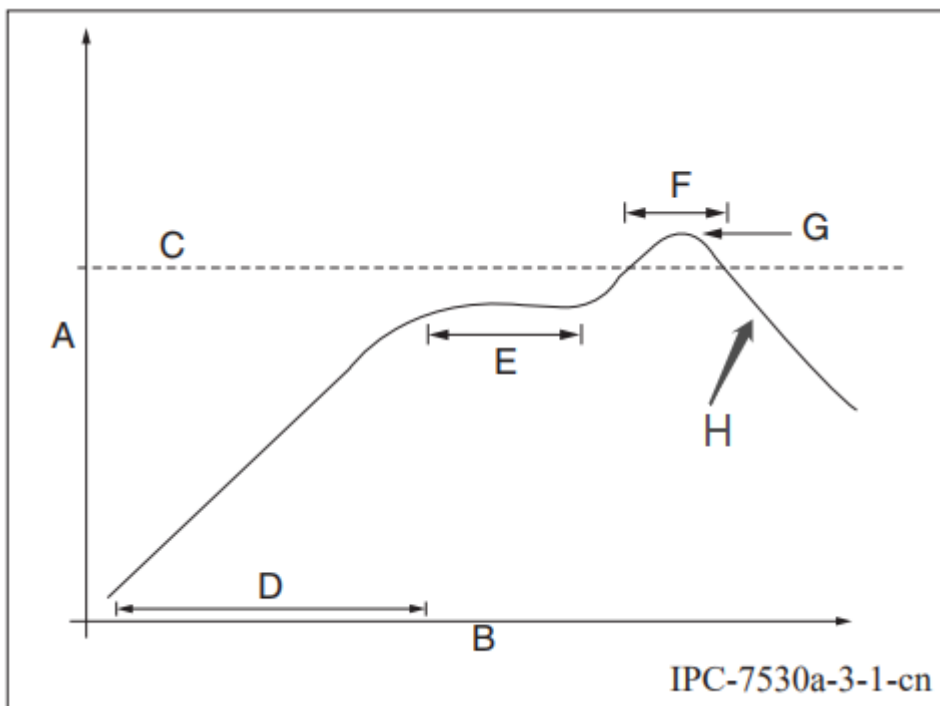
- Temperature: 60°C and  $\leq$  5% RH for reel package and 125°C and  $\leq$  5% RH for tray package (please use a heat-resistant tray rather than a plastic container)
- Time: 48 hours for reel package and 12 hours for tray package
- Alarm temperature: 65°C for reel package and 135°C for tray package
- Production-ready temperature after natural cooling:  $<$  36°C
- Re-baking situation: If a module remains unused for over 168 hours after being baked, it needs to be baked again.
- If a batch of modules is not baked within 168 hours, do not use the reflow soldering to solder them. Because these modules are Level-3 moisture-sensitive devices, they are very likely to get damp when exposed beyond

the allowable time. In this case, if they are soldered at high temperatures, it may result in device failure or poor soldering.

5. In the whole production process, take electrostatic discharge (ESD) protective measures.
6. To guarantee the passing rate, it is recommended that you use the SPI and AOI to monitor the quality of solder paste printing and mounting.

### 7.6 Recommended oven temperature curve

Set oven temperatures according to the following temperature curve of reflow soldering. The peak temperature is 245°C.



- A: Temperature axis
- B: Time axis
- C: Liquidus temperature: 217 to 220°C
- D: Ramp-up slope: 1 to 3°C/s
- E: Duration of constant temperature: 60 to 120s; the range of constant temperature: 150 to 200°C
- F: Duration above the liquidus: 50 to 70s

- G: Peak temperature: 235 to 245°C
- H: Ramp-down slope: 1 to 4°C/s

**Note:** The above curve is just an example of the solder paste SAC305. For more details about other solder pastes, please refer to Recommended oven temperature curve in the solder paste specifications.





## 8 MOQ and packaging information

Product model	MOQ (pcs)	Shipping packaging method	The number of modules per reel	The number of reels per carton
ZTC	3600	Tape reel	900	4

## 9 Appendix: Statement

**FCC Caution:** Any changes or modifications not expressly approved by the party responsible for compliance could void the user's authority to operate this device.

This device complies with Part 15 of the FCC Rules. Operation is subject to the following two conditions: (1) This device may not cause harmful interference, and (2) this device must accept any interference received, including interference that may cause undesired operation.

**Note:** This device has been tested and found to comply with the limits for a Class B digital device, according to part 15 of the FCC Rules. These limits are designed to provide reasonable protection against harmful interference in a residential installation. This device generates, uses, and can radiate radio frequency energy and, if not installed and used following the instructions, may cause harmful interference to radio communications. However, there is no guarantee that interference will not occur in a particular installation.

If this device does cause harmful interference to radio or television reception, which can be determined by turning the device off and on, the user is encouraged to try to correct the interference by one or more of the following measures:

- Reorient or relocate the receiving antenna.
- Increase the separation between the device and receiver.
- Connect the device to an outlet on a circuit different from that to which the receiver is connected.
- Consult the dealer or an experienced radio/TV technician for help.

### **Radiation Exposure Statement**

This device complies with FCC radiation exposure limits set forth for an uncontrolled rolled environment. This device should be installed and operated with a minimum distance of 20cm between the radiator and your body.

### **Important Note**

This radio module must not be installed to co-locate and operate simultaneously with other radios in the host system except following FCC multi-transmitter product procedures. Additional testing and device authorization may be required to operate simultaneously with other radios.

The availability of some specific channels and/or operational frequency bands are country dependent and are firmware programmed at the factory to match the intended destination. The firmware setting is not accessible by the end-user.

The host product manufacturer is responsible for compliance with any other FCC rules that apply to the host not covered by the modular transmitter grant of certification. The final host product still requires Part 15 Subpart B compliance testing with the modular transmitter installed.

The end-user manual shall include all required regulatory information/warnings as shown in this manual, including “This product must be installed and operated with a minimum distance of 20 cm between the radiator and user body” .

This device has got an FCC ID: 2ANDL-ZTC. The end product must be labeled in a visible area with the following: “Contains Transmitter Module FCC ID: 2ANDL-ZTC” .

This device is intended only for OEM integrators under the following conditions: The antenna must be installed such that 20cm is maintained between the antenna and users, and 2) The transmitter module may not be co-located with any other transmitter or antenna.

As long as the 2 conditions above are met, further transmitter tests will not be required. However, the OEM integrator is still responsible for testing their end-product for any additional compliance requirements required with this module installed.

#### **Declaration of Conformity European Notice**



Hereby, Hangzhou Tuya Information Technology Co., Ltd declares that this module product is in compliance with essential requirements and other relevant provisions of Directive 2014/53/EU,2011/65/EU. A copy of the Declaration of conformity can be found at <https://www.tuya.com>.



This product must not be disposed of as normal household waste, in accordance with

the EU directive for waste electrical and electronic equipment (WEEE-2012/19/EU). Instead, it should be disposed of by returning it to the point of sale, or to a municipal recycling collection point.

The device could be used with a separation distance of 20cm to the human body.